



US00D669684S

(12) **United States Design Patent**
Johnson

(10) **Patent No.:** **US D669,684 S**

(45) **Date of Patent:** **** Oct. 30, 2012**

(54) **DISPLAY CASE**

(76) Inventor: **Douglas Johnson**, San Diego, CA (US)

(**) Term: **14 Years**

(21) Appl. No.: **29/424,737**

(22) Filed: **Jun. 14, 2012**

(51) **LOC (9) Cl.** **28-03**

(52) **U.S. Cl.** **D3/284; D3/288**

(58) **Field of Classification Search** 206/575,
206/579, 6.1, 769, 771, 775, 776; 190/16;
D3/273, 276-288, 294

See application file for complete search history.

6,726,019 B2 * 4/2004 Leung 206/769
D646,484 S * 10/2011 Deguglimo et al. D3/281
D648,531 S * 11/2011 Finnigan et al. D3/281
2005/0092650 A1 * 5/2005 Romero 206/775

* cited by examiner

Primary Examiner — Jennifer Rivard

(74) *Attorney, Agent, or Firm* — QuickPatents, Inc.; Kevin Prince

(57) **CLAIM**

I claim the ornamental design for a display case, as shown and described.

DESCRIPTION

FIG. 1 is a perspective view of a display case, showing my new design;

FIG. 2 is an exploded perspective view thereof;

FIG. 3 is a front elevational view thereof;

FIG. 4 is a rear elevational view thereof;

FIG. 5 is a left-side elevational view thereof;

FIG. 6 is a right-side elevational view thereof;

FIG. 7 is a top plan view thereof; and,

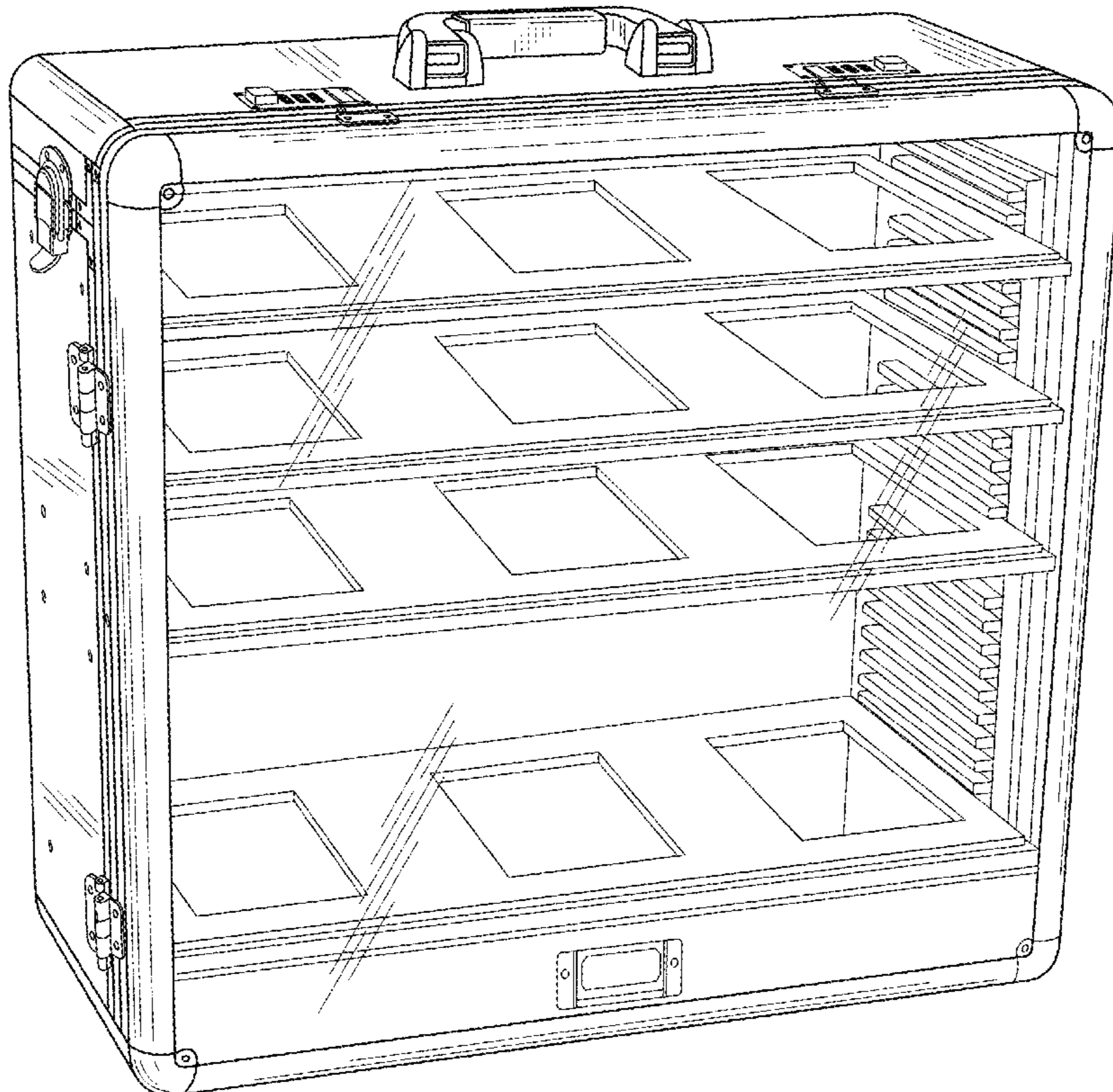
FIG. 8 is a bottom plan view thereof.

1 Claim, 6 Drawing Sheets

(56) **References Cited**

U.S. PATENT DOCUMENTS

D340,803 S *	11/1993	Bradford et al.	D3/283
D367,557 S *	3/1996	Chang	D3/276
D368,159 S *	3/1996	Calmeise et al.	D3/283
D382,115 S *	8/1997	Chang	D3/282
5,799,791 A *	9/1998	Harley	190/16
D406,462 S *	3/1999	Emery, III	D3/276
D434,561 S *	12/2000	Vasudeva	D3/282
D463,911 S *	10/2002	Chen	D3/282
D468,531 S *	1/2003	Hsu	D3/282



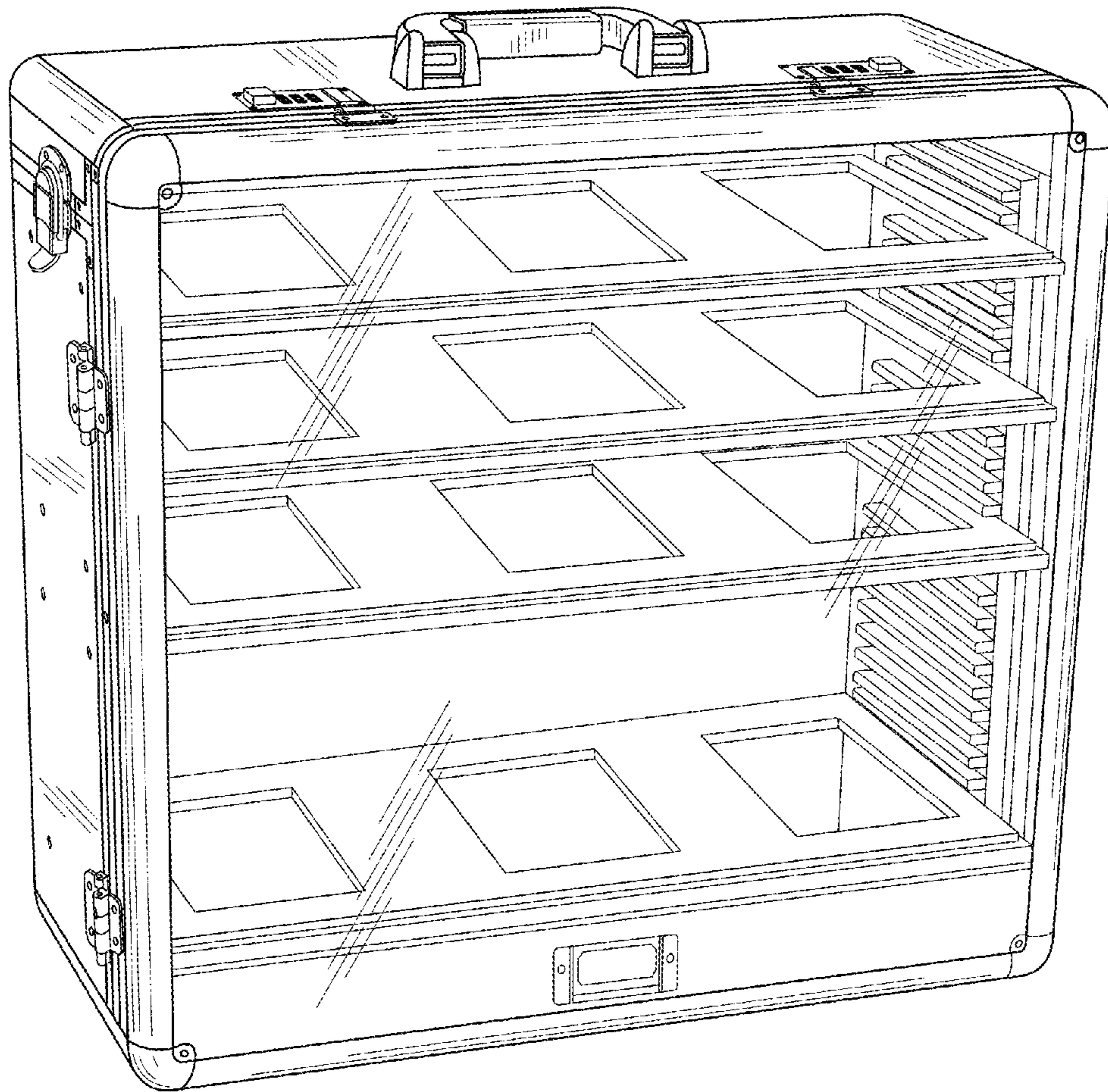


FIG. 1

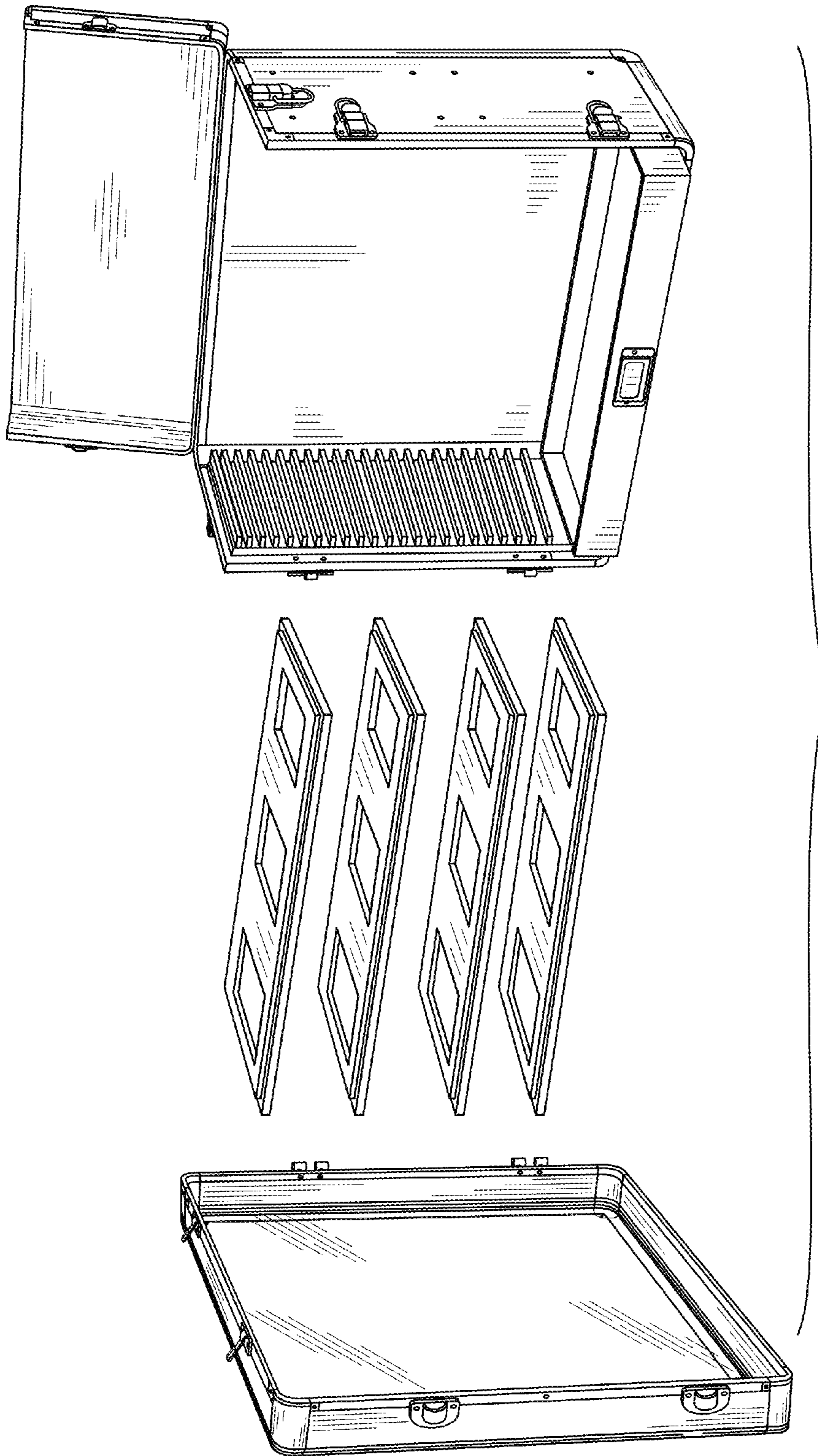


FIG. 2

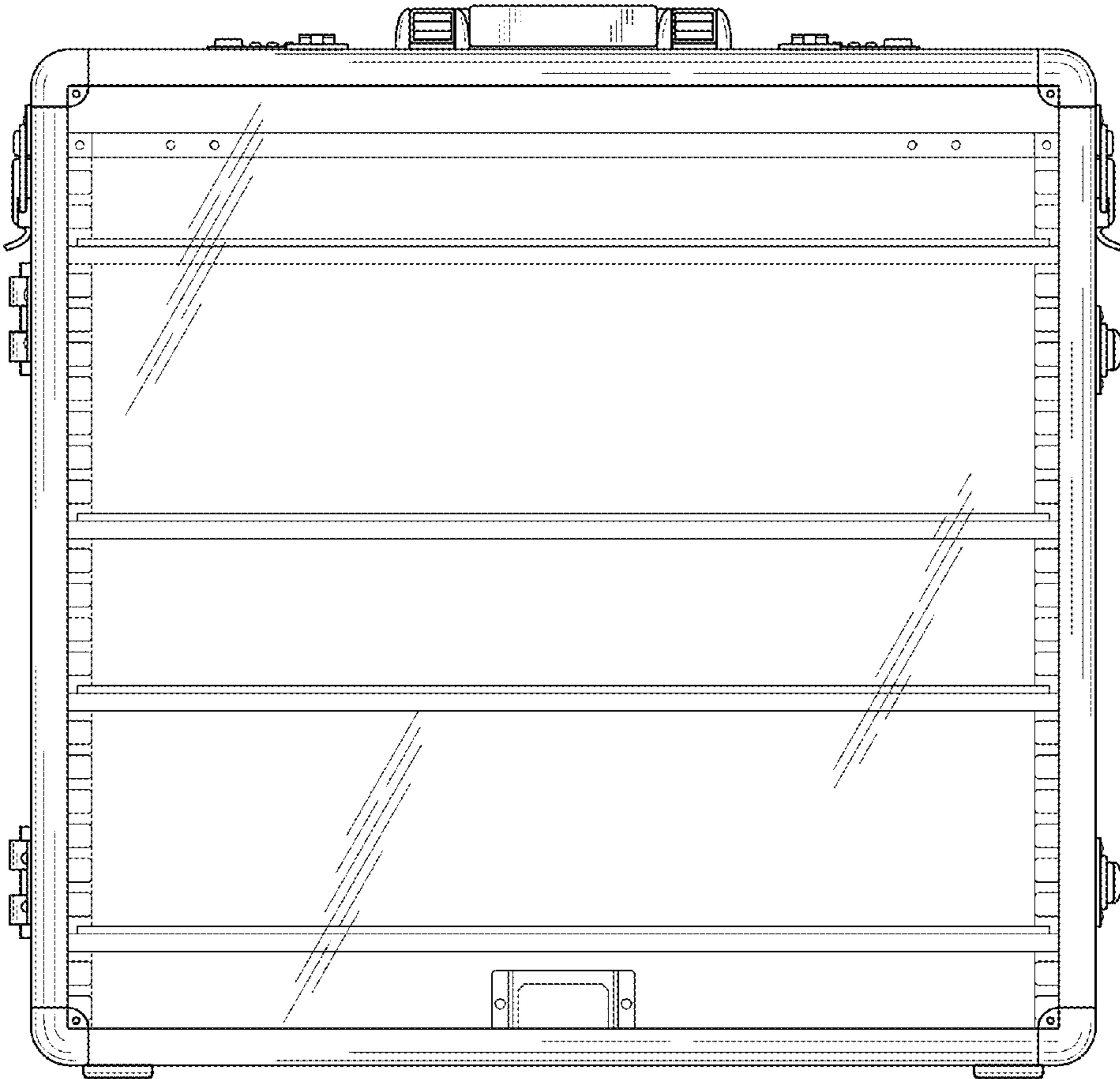


FIG. 3

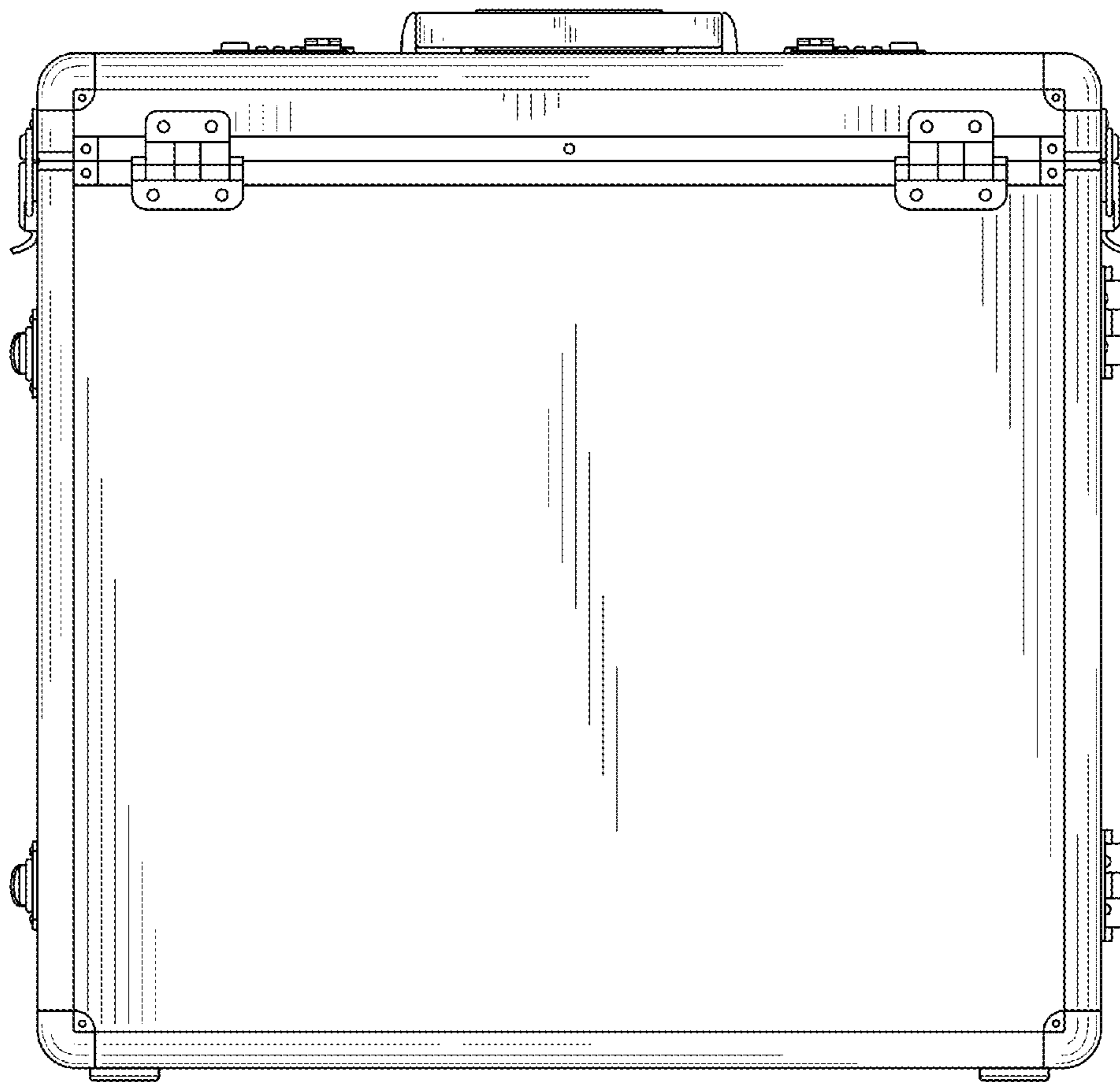


FIG. 4

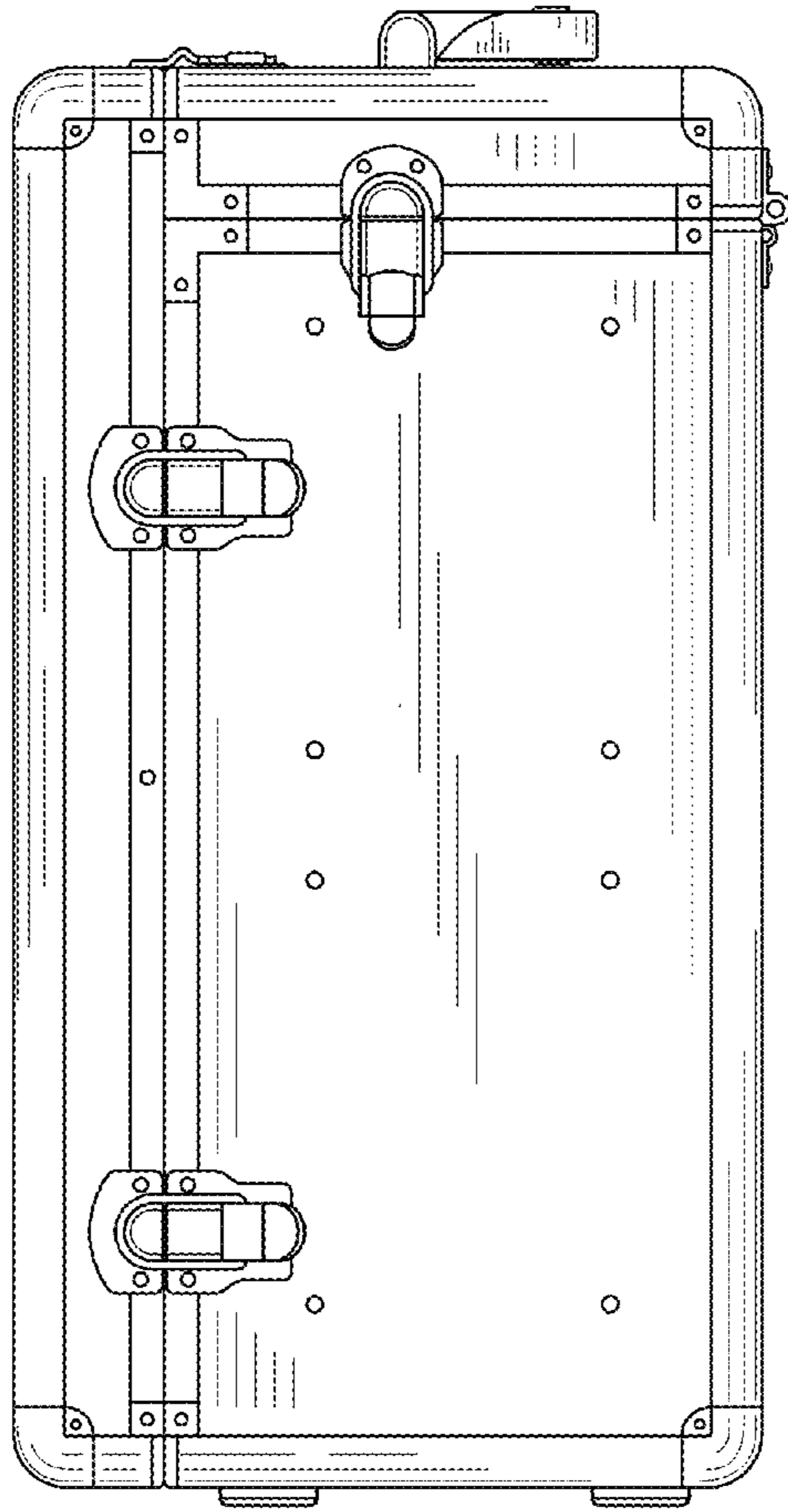


FIG. 5

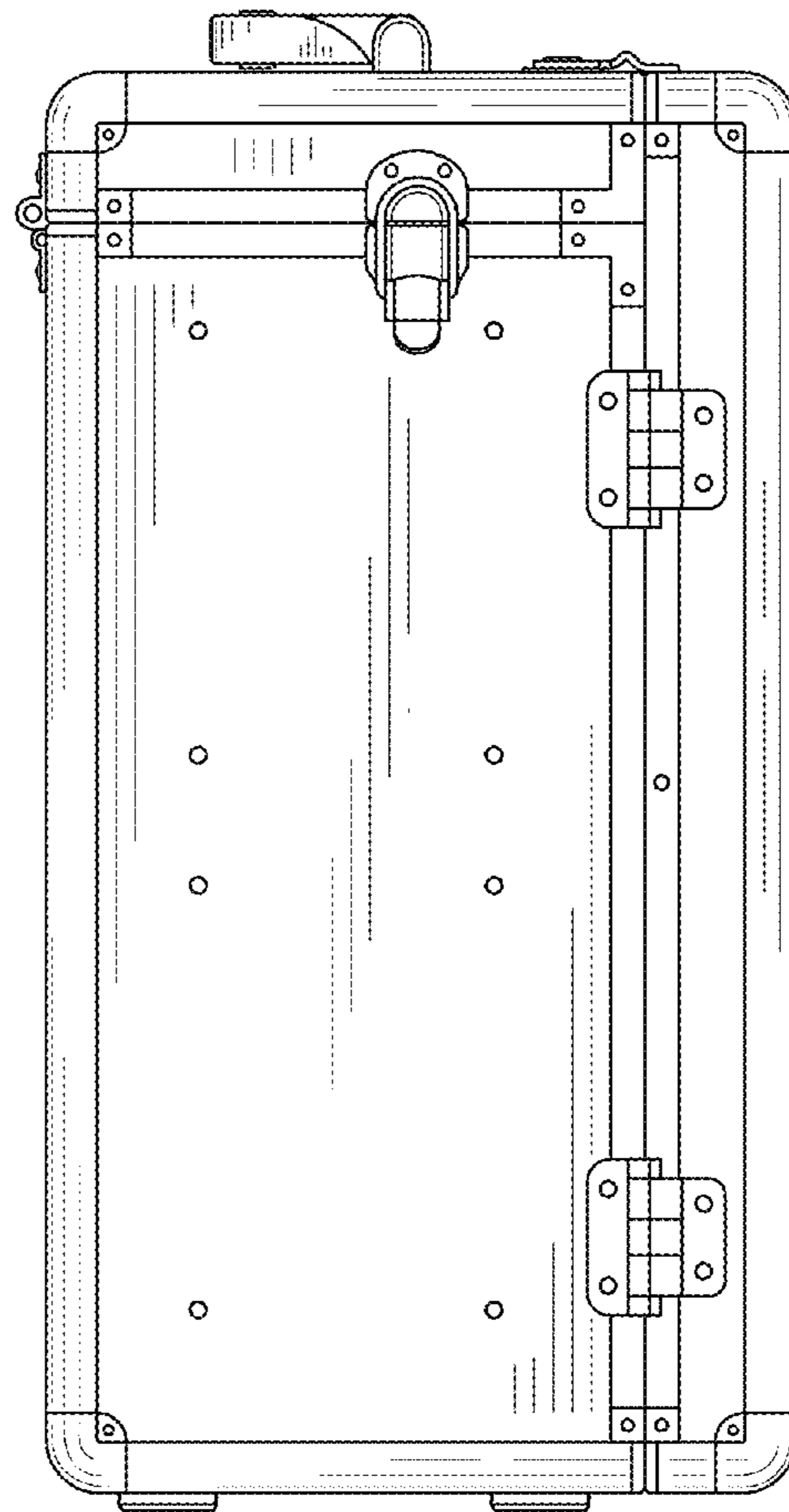


FIG. 6

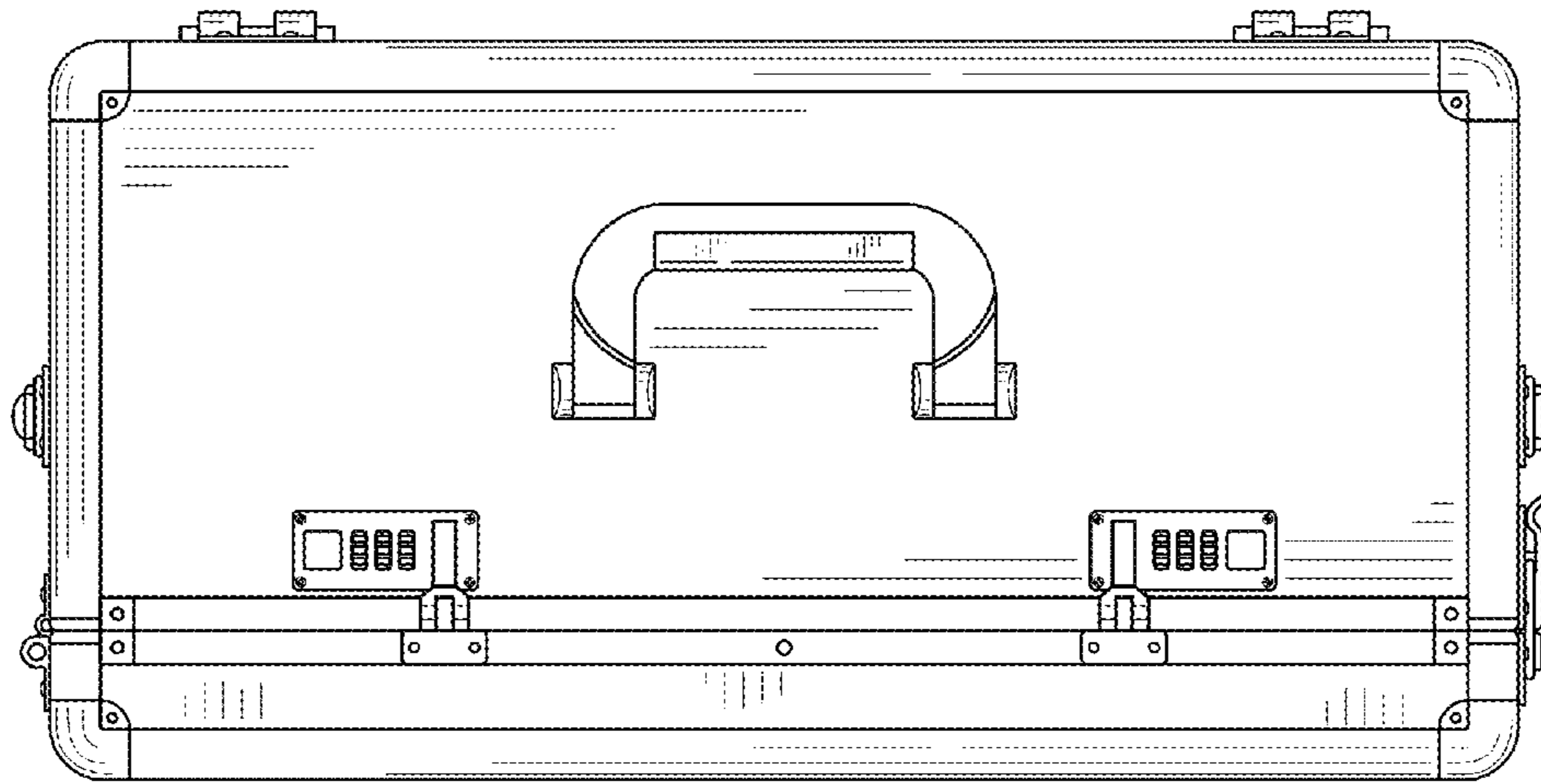


FIG. 7

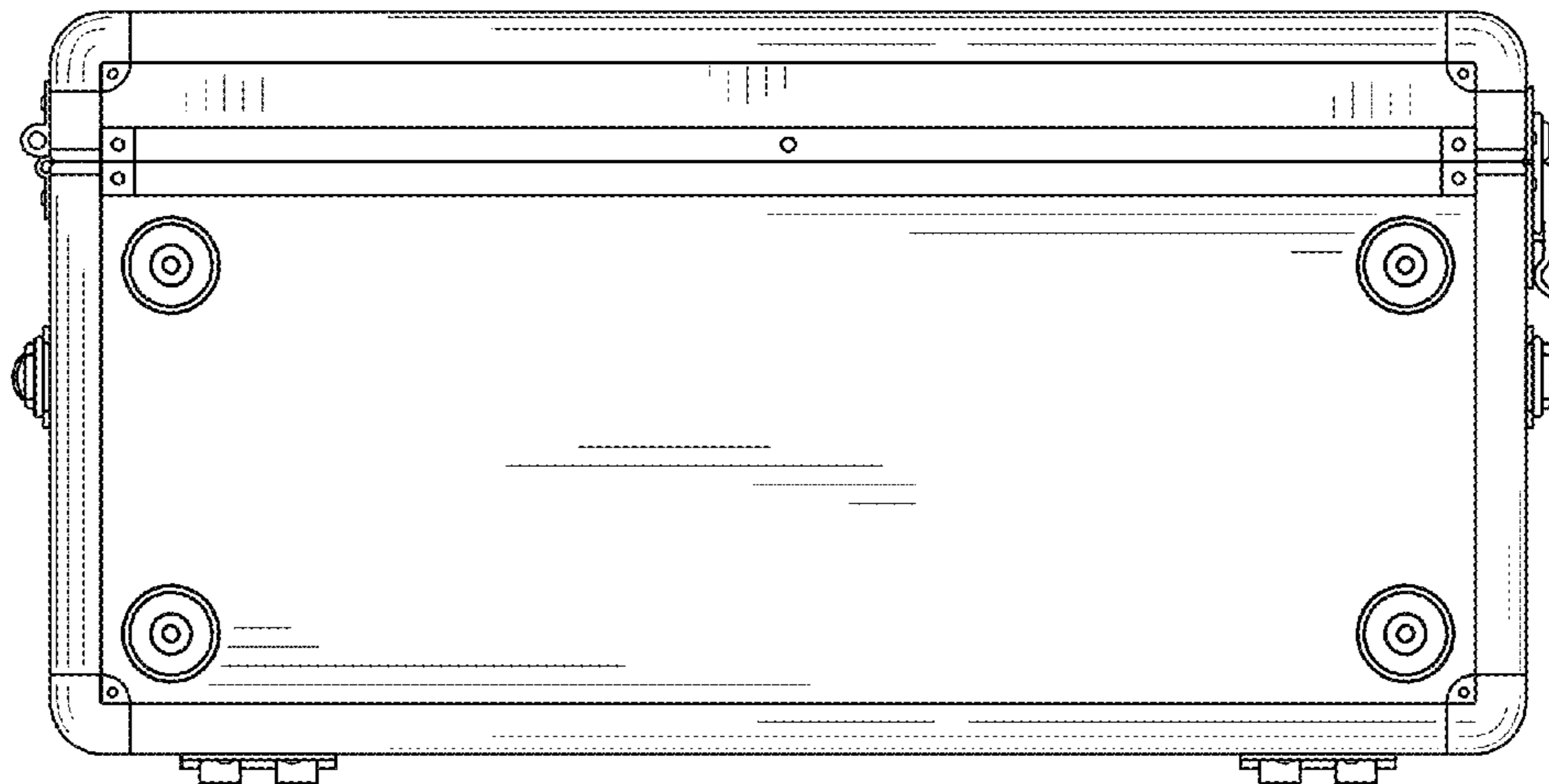


FIG. 8