

US00D669681S

(12) **United States Design Patent**
Burkemper

(10) **Patent No.:** **US D669,681 S**
(45) **Date of Patent:** **** Oct. 30, 2012**

(54) **GOLF BALL HOLDER**

D537,245 S * 2/2007 Crandall D3/221
D561,991 S * 2/2008 Ioime et al. D3/221

(75) Inventor: **Leroy A. Burkemper**, St. Louis, MO
(US)

* cited by examiner

(73) Assignee: **Mar-Lee, LLC**, St. Louis, MO (US)

Primary Examiner — Catheri Oliver

(**) Term: **14 Years**

(74) *Attorney, Agent, or Firm* — Brian B. Diekhoff;
Polsinelli Shughart PC

(21) Appl. No.: **29/410,036**

(57) **CLAIM**

(22) Filed: **Jan. 3, 2012**

The ornamental design for a golf ball holder, as shown and described.

(51) **LOC (9) Cl.** **03-01**

(52) **U.S. Cl.** **D3/221**

(58) **Field of Classification Search** D3/221,
D3/224, 226, 229, 257; 224/245, 918–919,
224/666, 668–670; D21/789, 796
See application file for complete search history.

DESCRIPTION

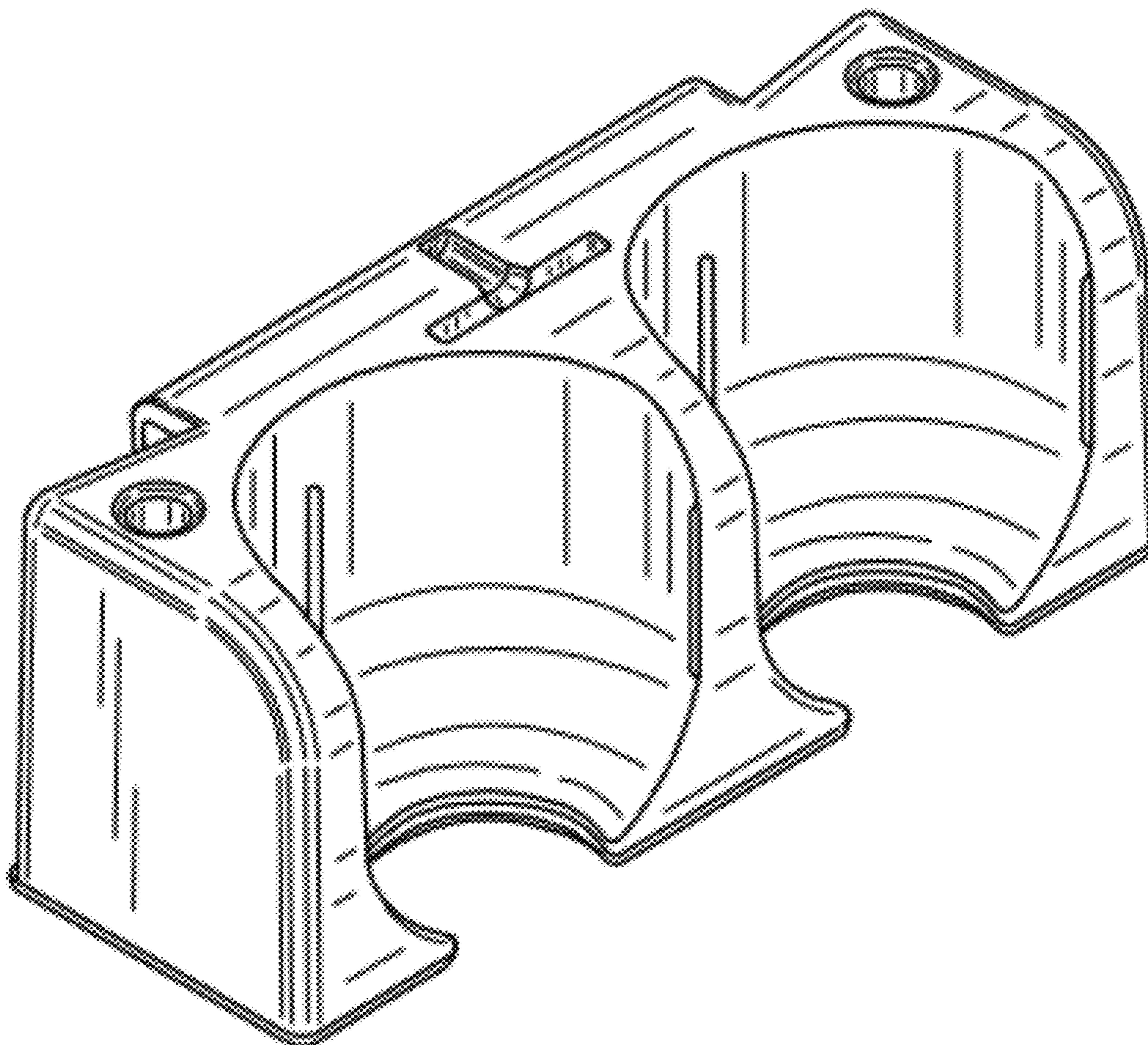
FIG. 1 is a perspective view of the golf ball holder;
FIG. 2 is a front view of the golf ball holder;
FIG. 3 is a rear view of the golf ball holder;
FIG. 4 is a top view of the golf ball holder;
FIG. 5 is a bottom view of the golf ball holder;
FIG. 6 is a first side view of the golf ball holder; and,
FIG. 7 is a second side view of the golf ball holder.

(56) **References Cited**

U.S. PATENT DOCUMENTS

2,548,330 A * 4/1951 Wiseman 224/245
6,193,120 B1 * 2/2001 Chang 224/245

1 Claim, 2 Drawing Sheets



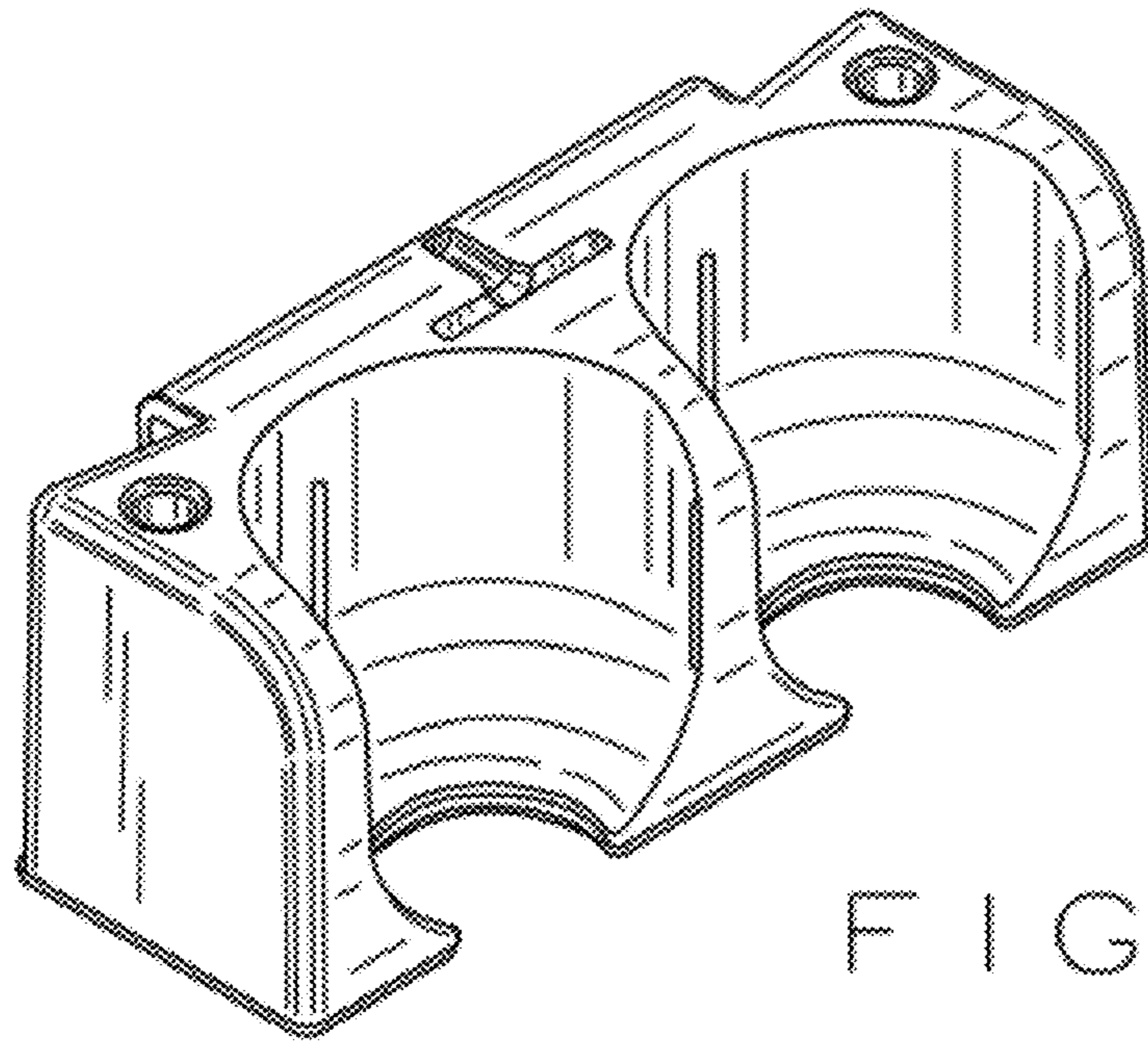


FIG. 1

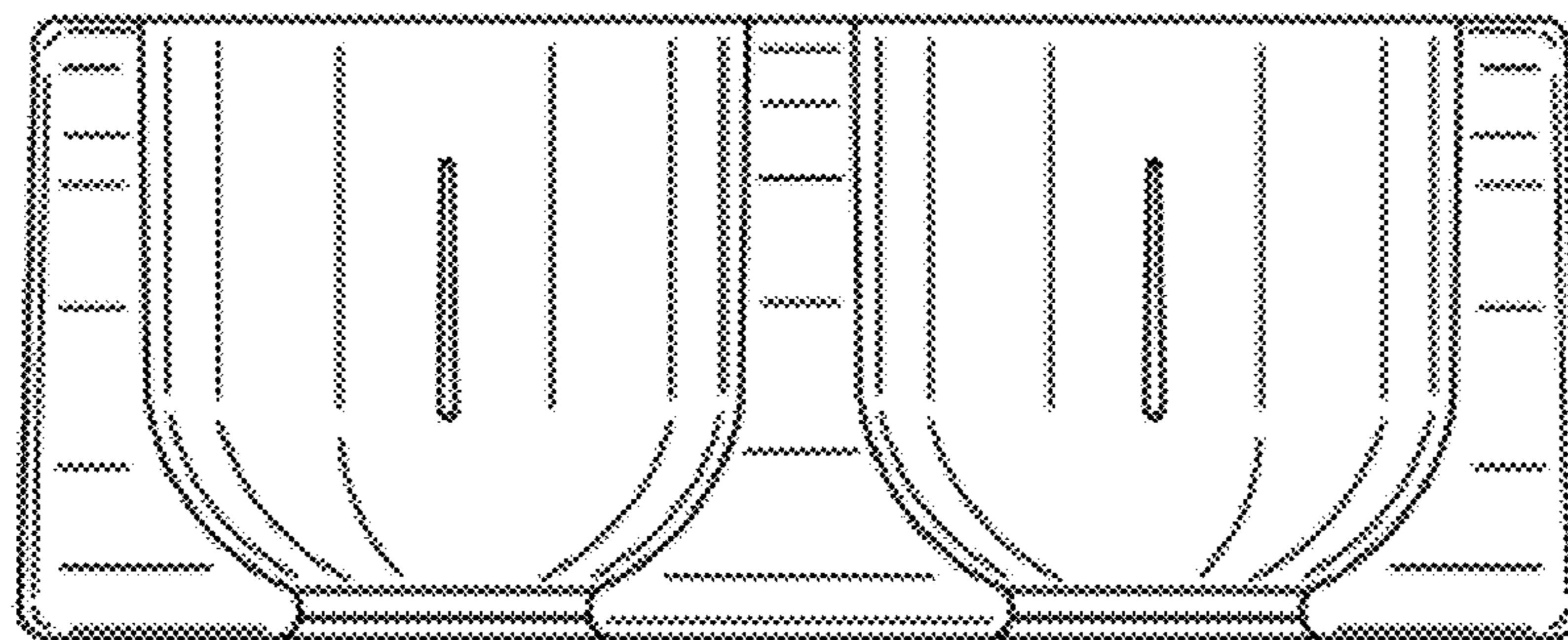


FIG. 2

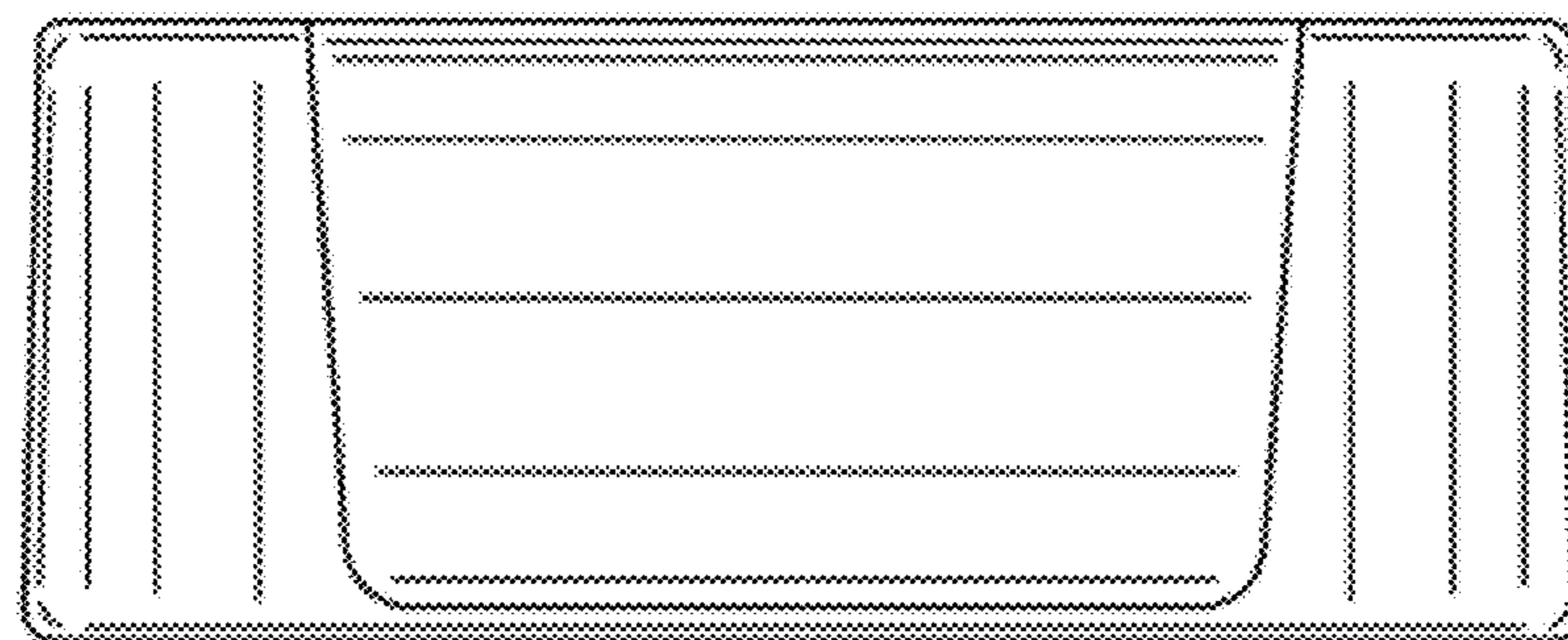


FIG. 3

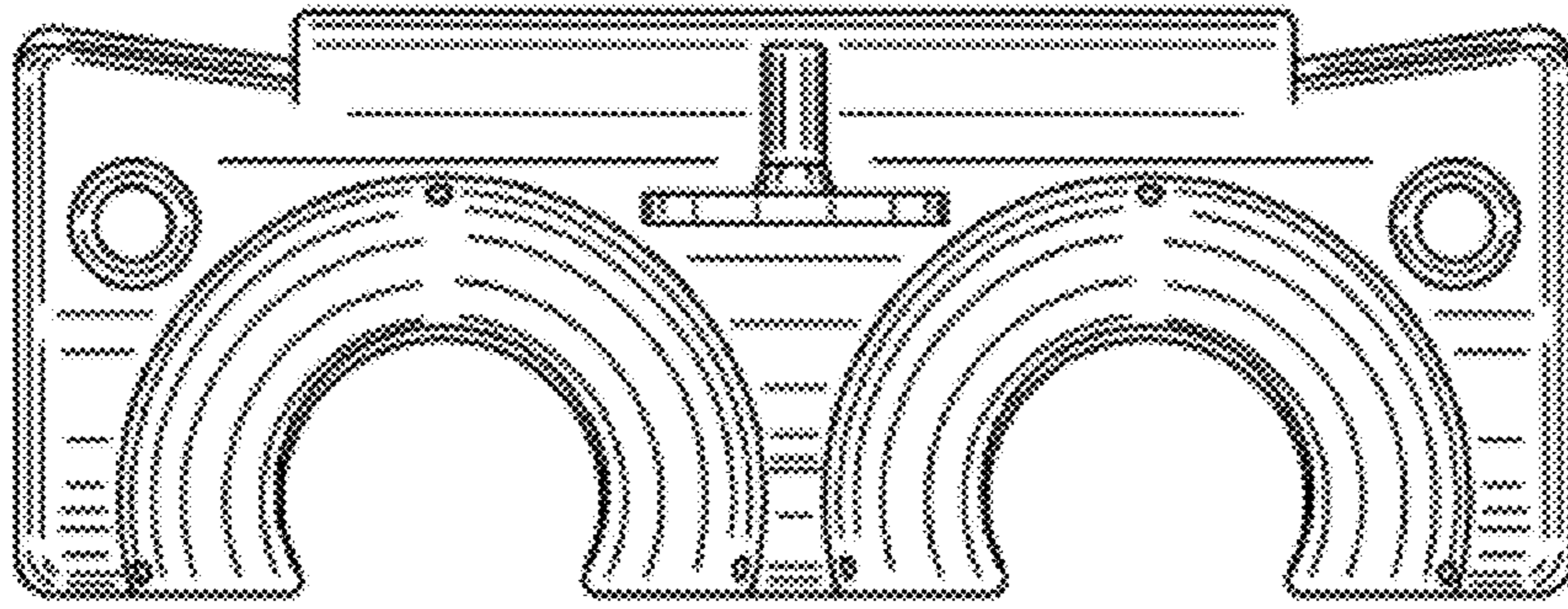


FIG. 4

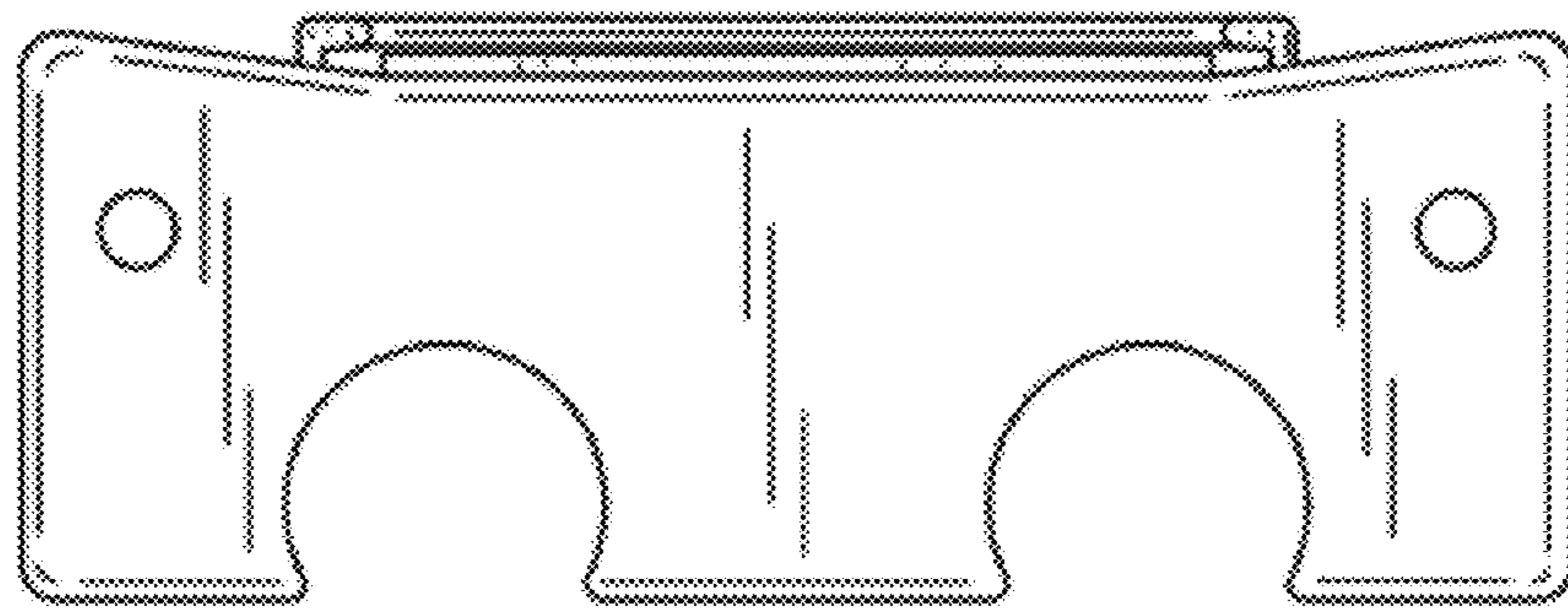


FIG. 5

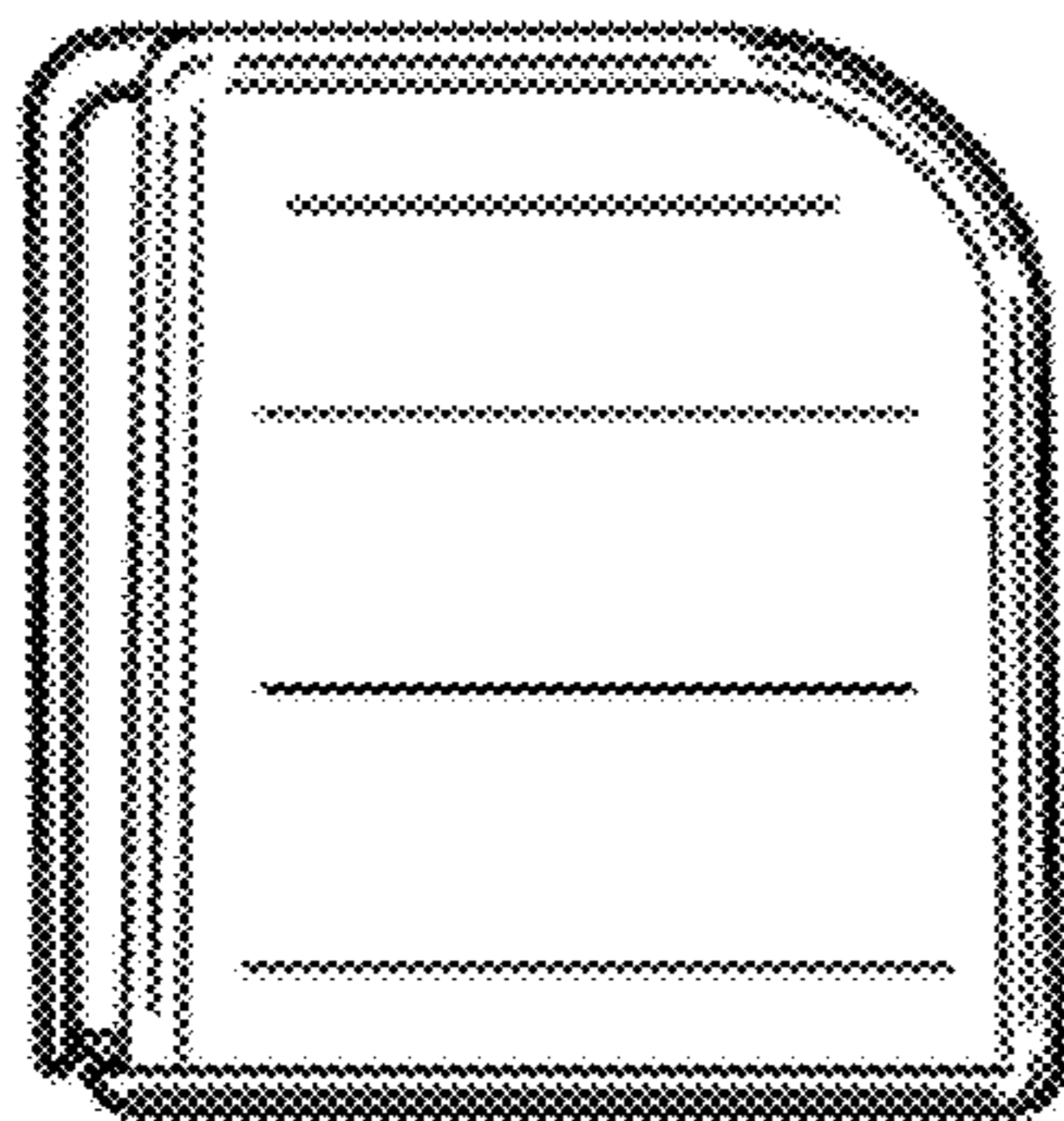


FIG. 6

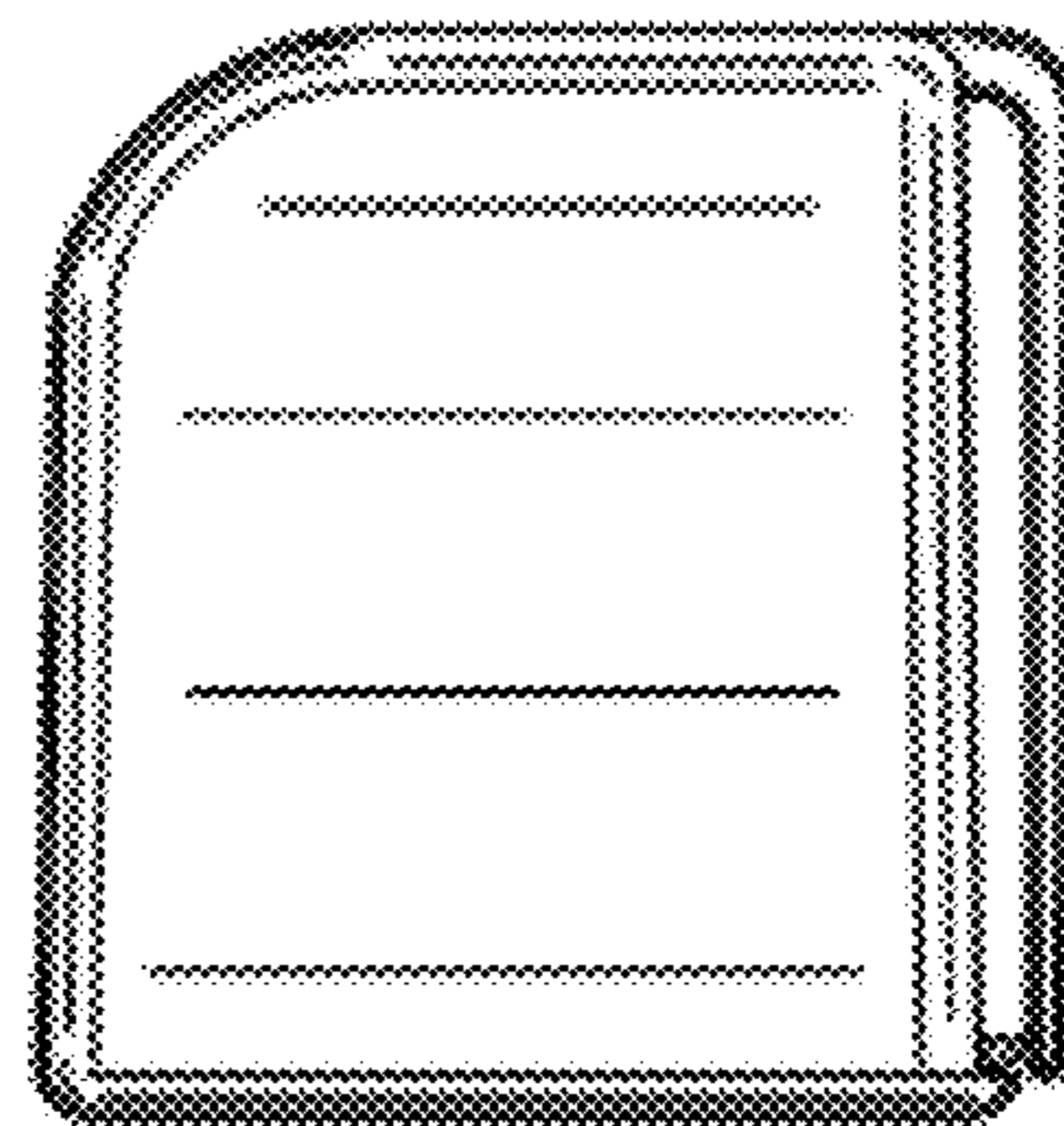


FIG. 7