



US00D669680S

(12) **United States Design Patent**
Goldstein

(10) **Patent No.:** **US D669,680 S**

(45) **Date of Patent:** **** Oct. 30, 2012**

(54) **COMBINED LARYNGOSCOPE BLADE KEY CHAIN AND BOTTLE OPENER**

Primary Examiner — Ralf Seifert

(76) Inventor: **Avraham Goldstein**, Flushing, NY (US)

(57) **CLAIM**

I claim the ornamental design for a combined laryngoscope blade key chain and bottle opener, as shown and described.

(**) Term: **14 Years**

DESCRIPTION

(21) Appl. No.: **29/414,274**

(22) Filed: **Feb. 27, 2012**

(51) **LOC (9) Cl.** **03-01**

(52) **U.S. Cl.** **D3/208; D24/136**

(58) **Field of Classification Search** D11/48,
D11/49, 53, 54, 55, 99, 100–102; 63/26–28,
63/32; D3/207–212; D8/16, 38, 347, 348,
D8/354, 395; 70/456 B, 457, 458; 206/37.1;
D21/576, 593, 594, 606, 609, 610, 611, 659,
D21/660; 74/526; D24/136, 137

See application file for complete search history.

FIG. 1 is a first side view of the combined laryngoscope blade key chain and bottle opener of the claimed design;

FIG. 2 is a second side view of the combined laryngoscope blade key chain and bottle opener of the claimed design;

FIG. 3 is a third side view of the combined laryngoscope blade key chain and bottle opener of the claimed design;

FIG. 4 is a fourth side view of the combined laryngoscope blade key chain and bottle opener of the claimed design;

FIG. 5 is a first perspective view of the combined laryngoscope blade key chain and bottle opener of the claimed design;

FIG. 6 is a second perspective view of the combined laryngoscope blade key chain and bottle opener of the claimed design;

FIG. 7 is a third perspective view of the combined laryngoscope blade key chain and bottle opener of the claimed design;

FIG. 8 is a fourth perspective view of the combined laryngoscope blade key chain and bottle opener of the claimed design;

FIG. 9 is an end view of the combined laryngoscope blade key chain and bottle opener of the claimed design, viewed from the bottle opener end thereof; and,

FIG. 10 is another end view of the combined laryngoscope blade key chain and bottle opener of the claimed design, viewed from the key chain end thereof.

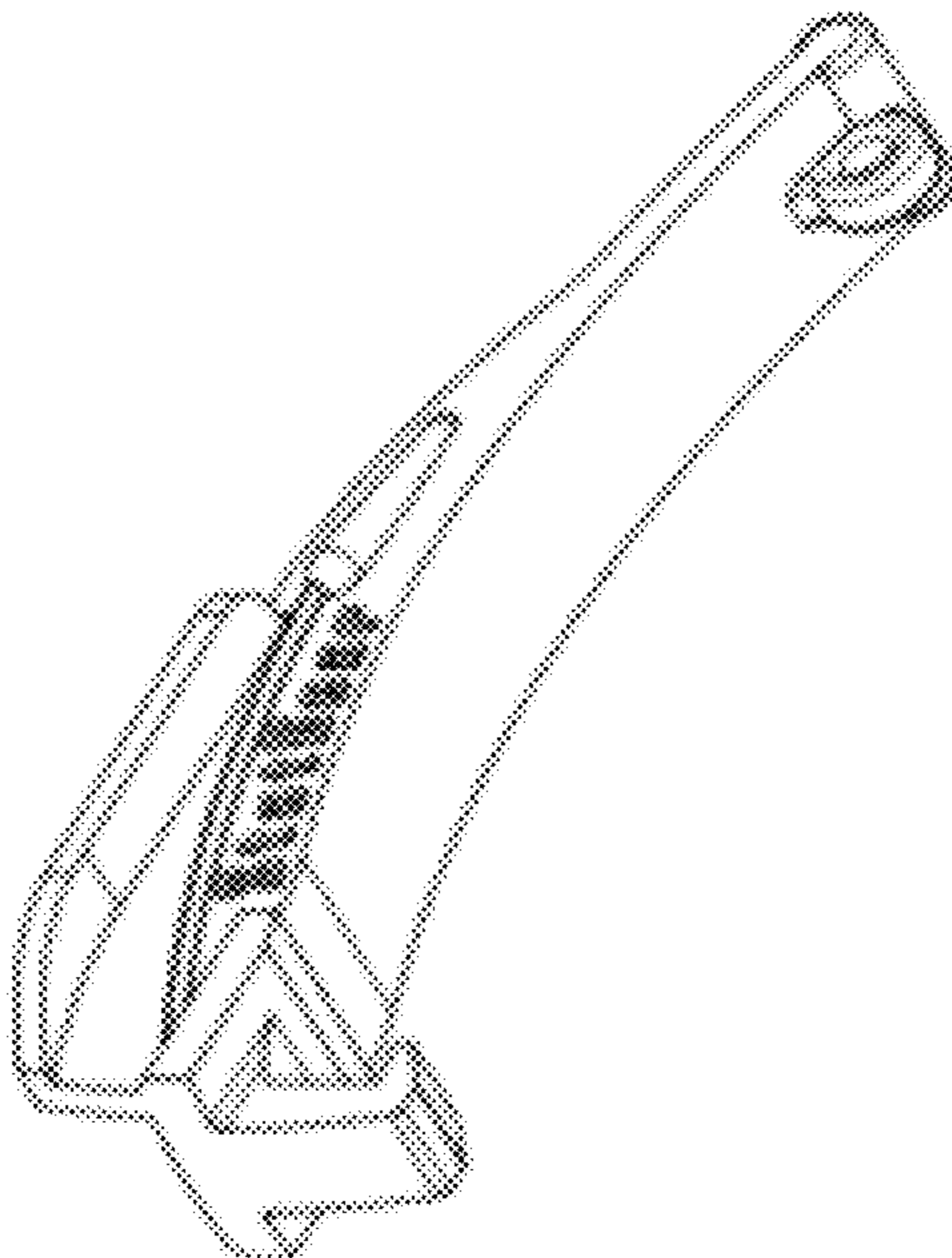
(56) **References Cited**

U.S. PATENT DOCUMENTS

D247,263	S	*	2/1978	Van Benthem	D3/210
D263,746	S	*	4/1982	Johnson et al.	D24/118
D278,950	S	*	5/1985	Vaughan	D3/208
D359,556	S	*	6/1995	Hale et al.	D24/136
D369,407	S	*	4/1996	Smith	D24/137
D423,209	S	*	4/2000	Guyot	D3/207
D433,134	S	*	10/2000	Pitesky	D24/136
D448,552	S	*	10/2001	Richards	D3/210
D497,087	S	*	10/2004	Gallo et al.	D8/38
D547,449	S	*	7/2007	Ashraf	D24/137
D581,532	S	*	11/2008	Cranton et al.	D24/137
D609,808	S	*	2/2010	Tenger et al.	D24/137
7,966,853	B2	*	6/2011	Maier-Hunke	70/456 R
D645,146	S	*	9/2011	Lee	D24/137

* cited by examiner

1 Claim, 4 Drawing Sheets



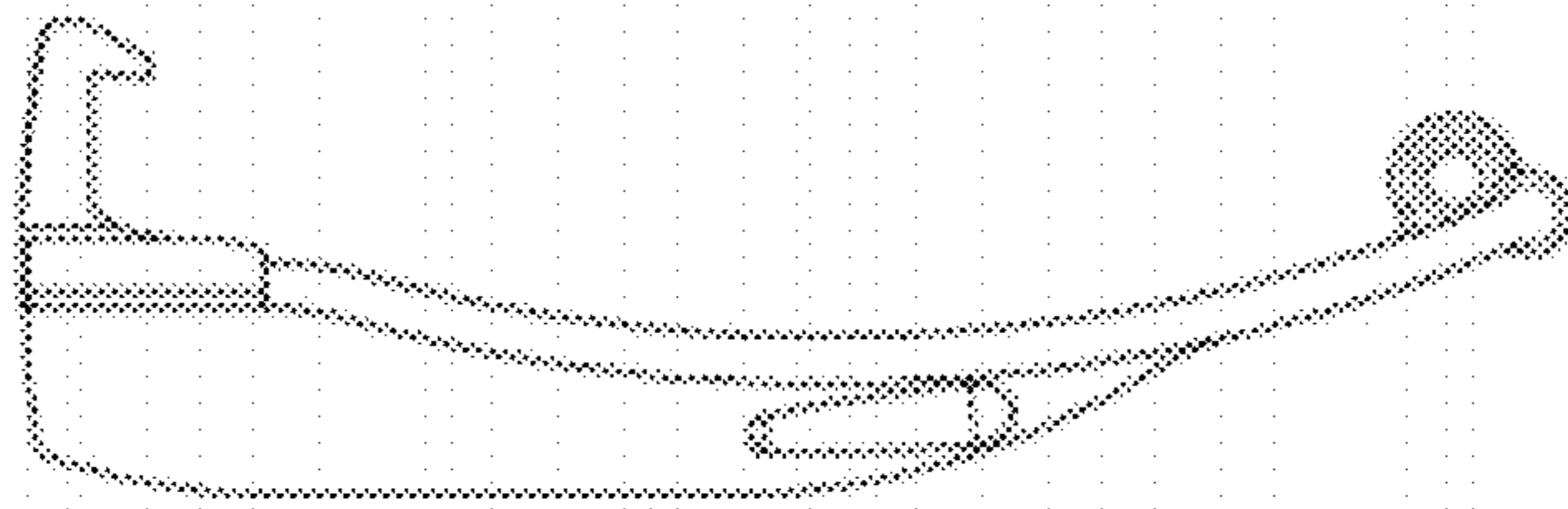


FIG. 1

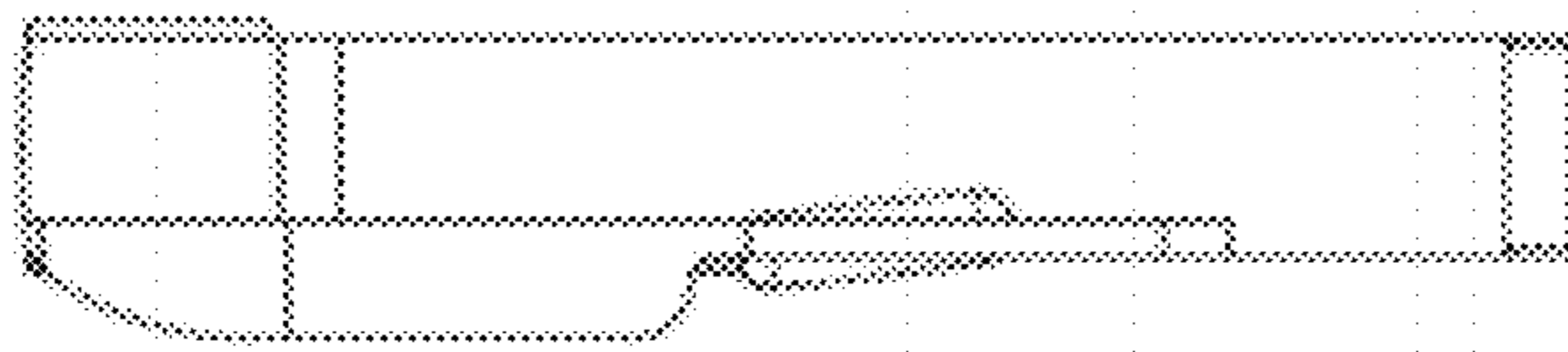


FIG. 2

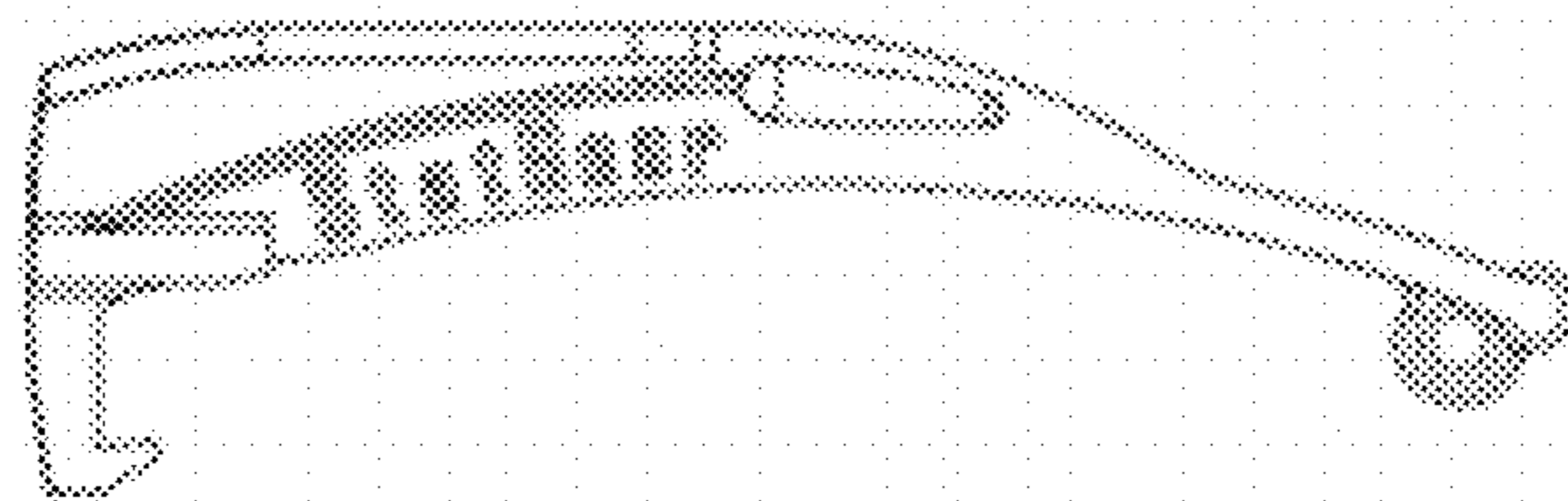


FIG. 3

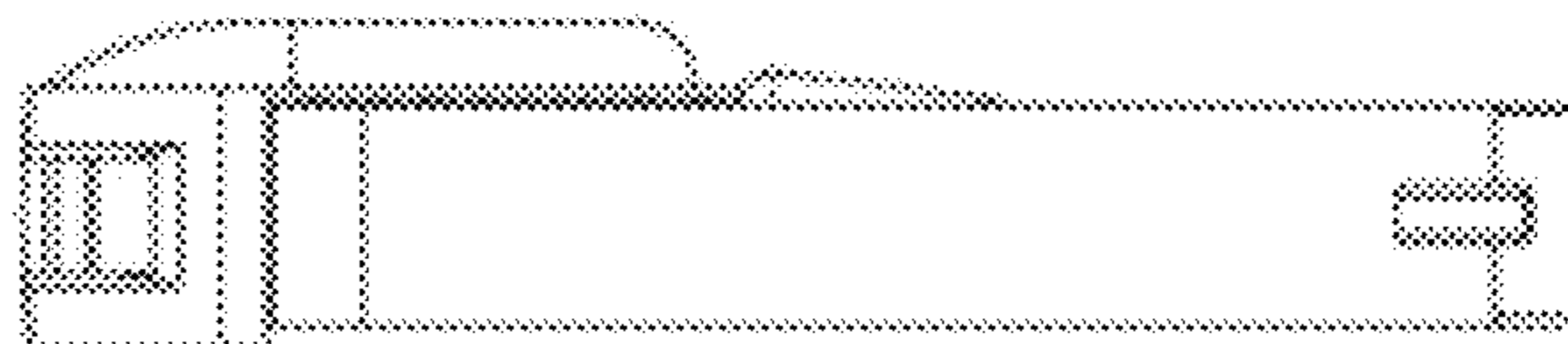


FIG. 4

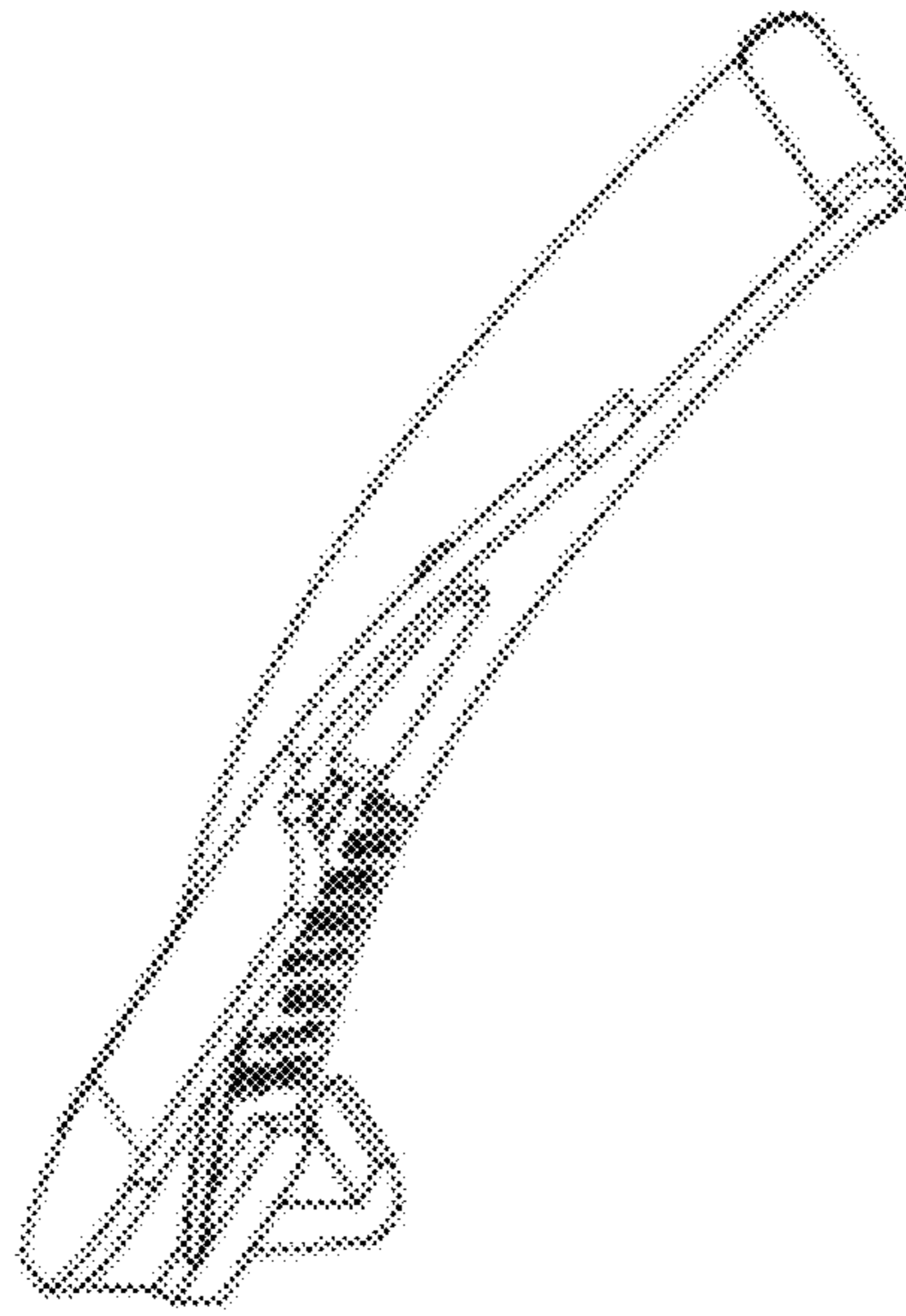


FIG. 5

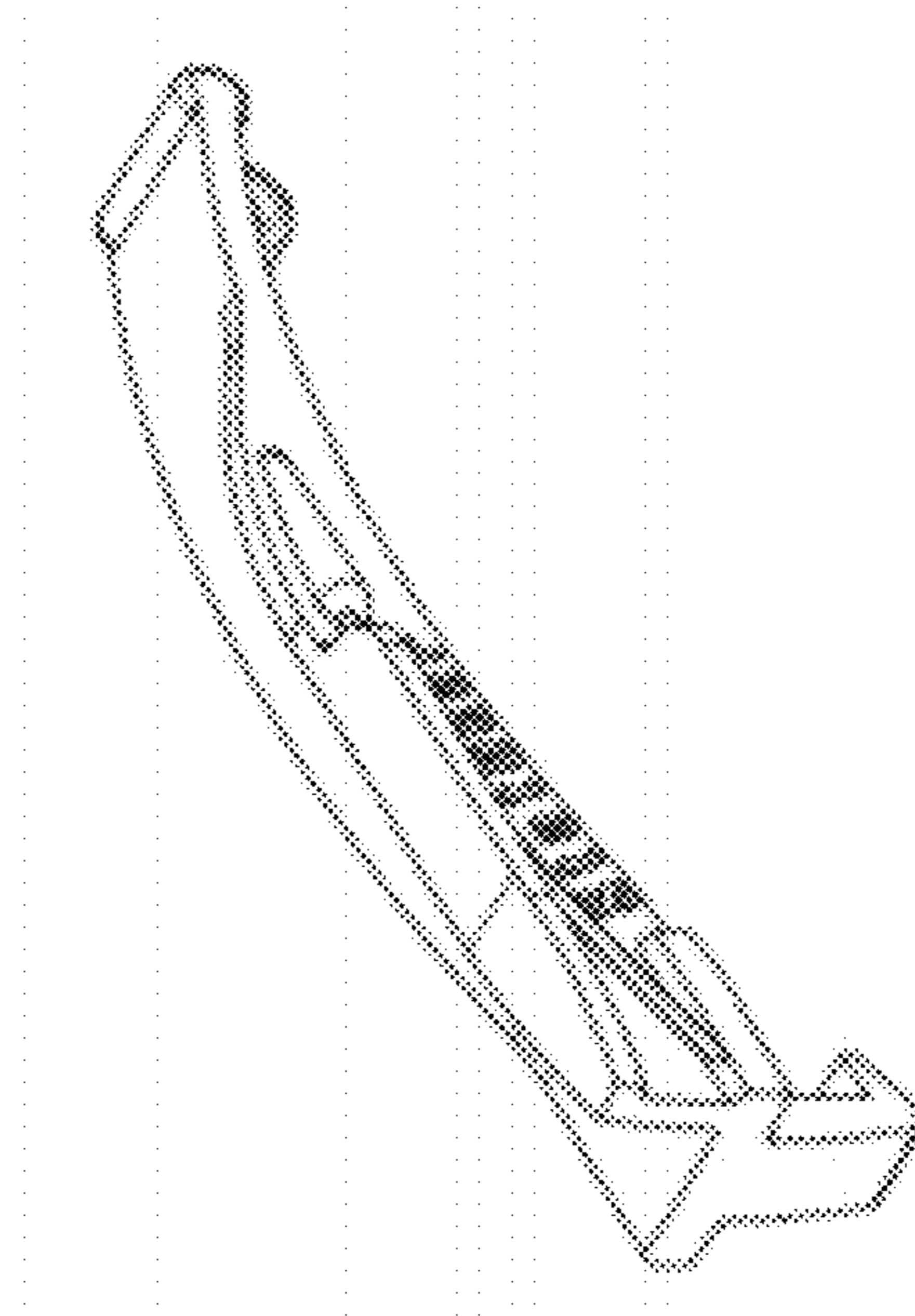


FIG. 6

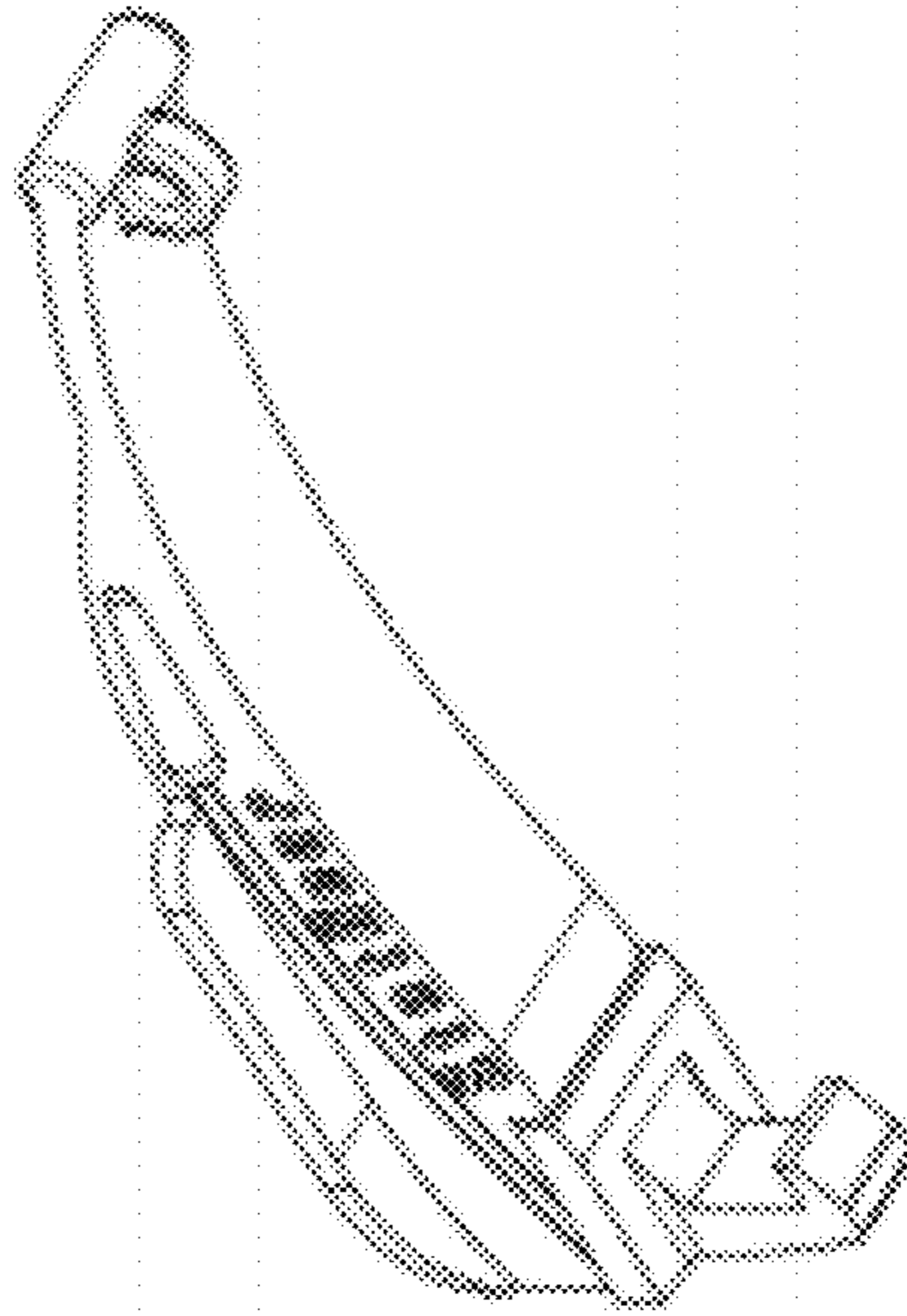


FIG. 7

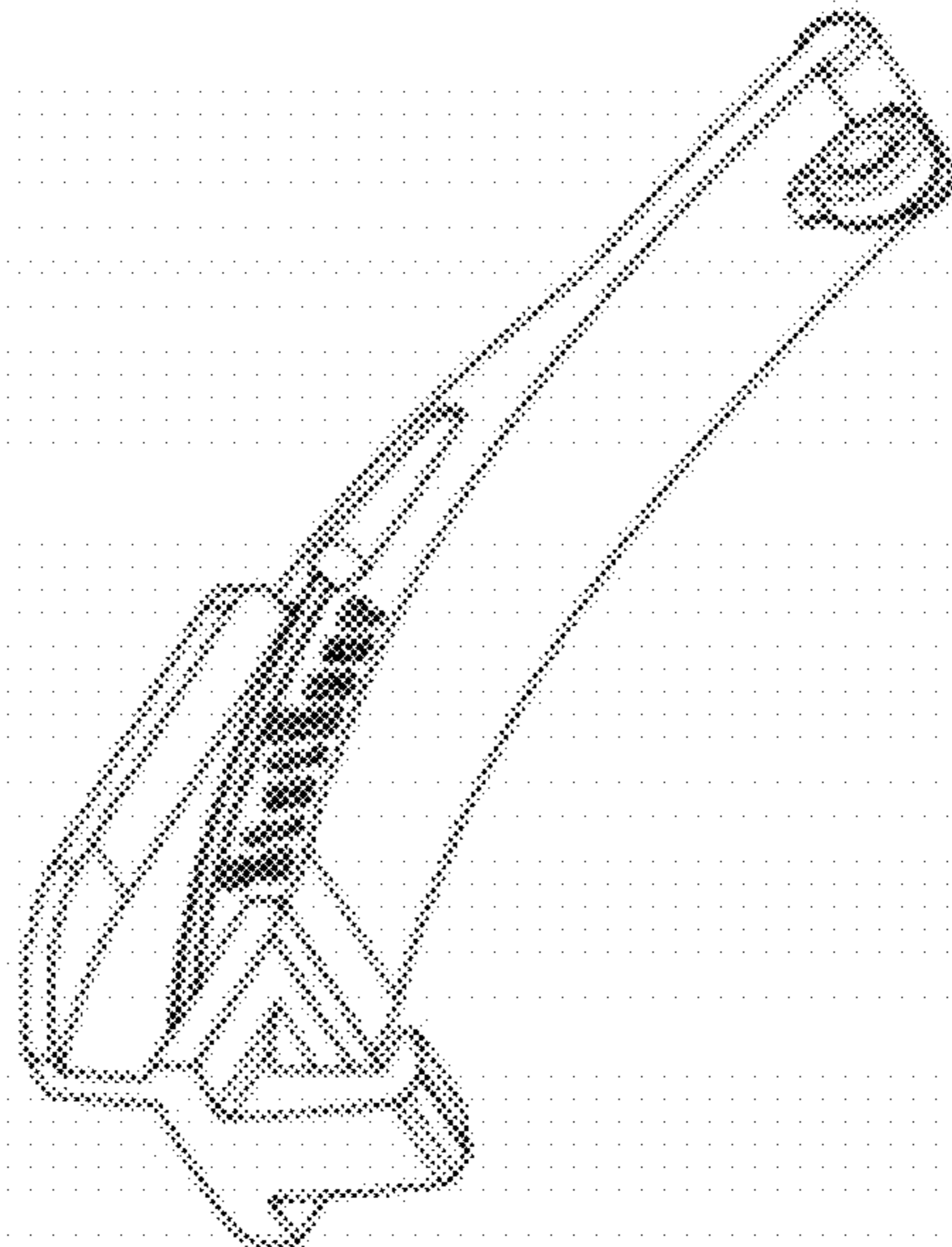


FIG. 8

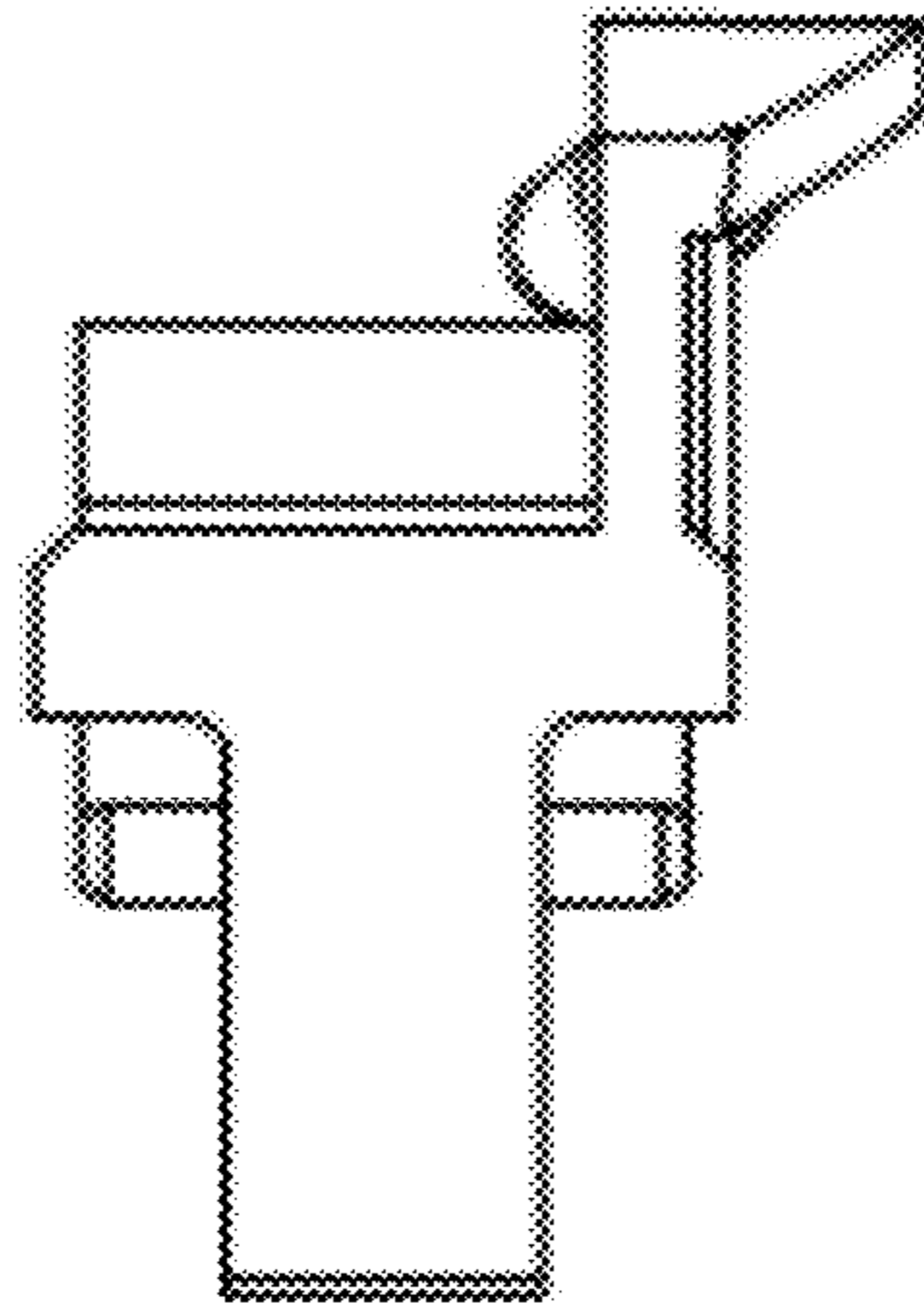


FIG. 9

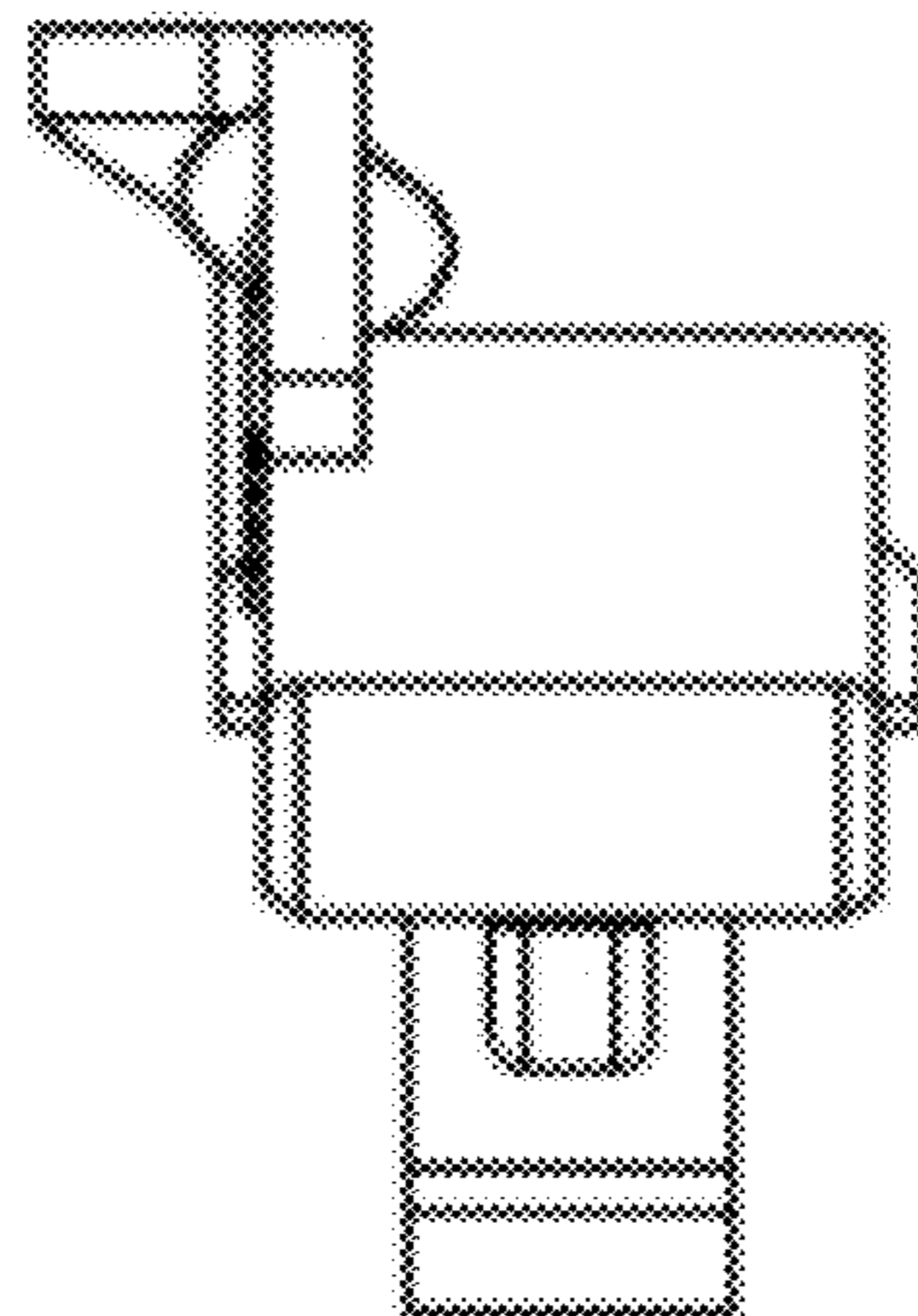


FIG. 10