



US00D669678S

(12) **United States Design Patent**  
**Legreca et al.**

(10) **Patent No.:** **US D669,678 S**

(45) **Date of Patent:** **\*\* Oct. 30, 2012**

(54) **WOOD COVERED JAR**

(75) Inventors: **Carl Legreca**, Cliffside Park, NJ (US);  
**Lydia Irwin**, New York, NY (US)

(73) Assignee: **Croskill Home LLC**, New York, NY  
(US)

(\*\*) Term: **14 Years**

(21) Appl. No.: **29/406,311**

(22) Filed: **Nov. 11, 2011**

(51) **LOC (9) Cl.** ..... **03-01**

(52) **U.S. Cl.** ..... **D3/205; D6/524**

(58) **Field of Classification Search** ..... D6/524,  
D6/525; D3/201, 205, 315, 211, 271.1, 200;  
D9/516, 520, 529, 560, 414, 424, 432, 600,  
D9/629, 700; D28/76, 83, 91; D19/95; 206/551,  
206/457, 746, 784, 822; 209/100, 110, 112,  
209/113, 115, 116; D27/73, 74, 75, 76  
See application file for complete search history.

(56) **References Cited**

**U.S. PATENT DOCUMENTS**

D354,848 S *	1/1995	Lovell	.....	D3/205
D531,025 S *	10/2006	Tanner	.....	D9/432
D537,244 S *	2/2007	Danechi	.....	D3/205
D580,753 S *	11/2008	Liden et al.	.....	D9/432
D610,343 S *	2/2010	Mayer	.....	D3/201
D610,344 S *	2/2010	Mayer	.....	D3/201

\* cited by examiner

*Primary Examiner* — Brian N Vinson

(74) *Attorney, Agent, or Firm* — Buchanan Ingersoll &  
Rooney PC

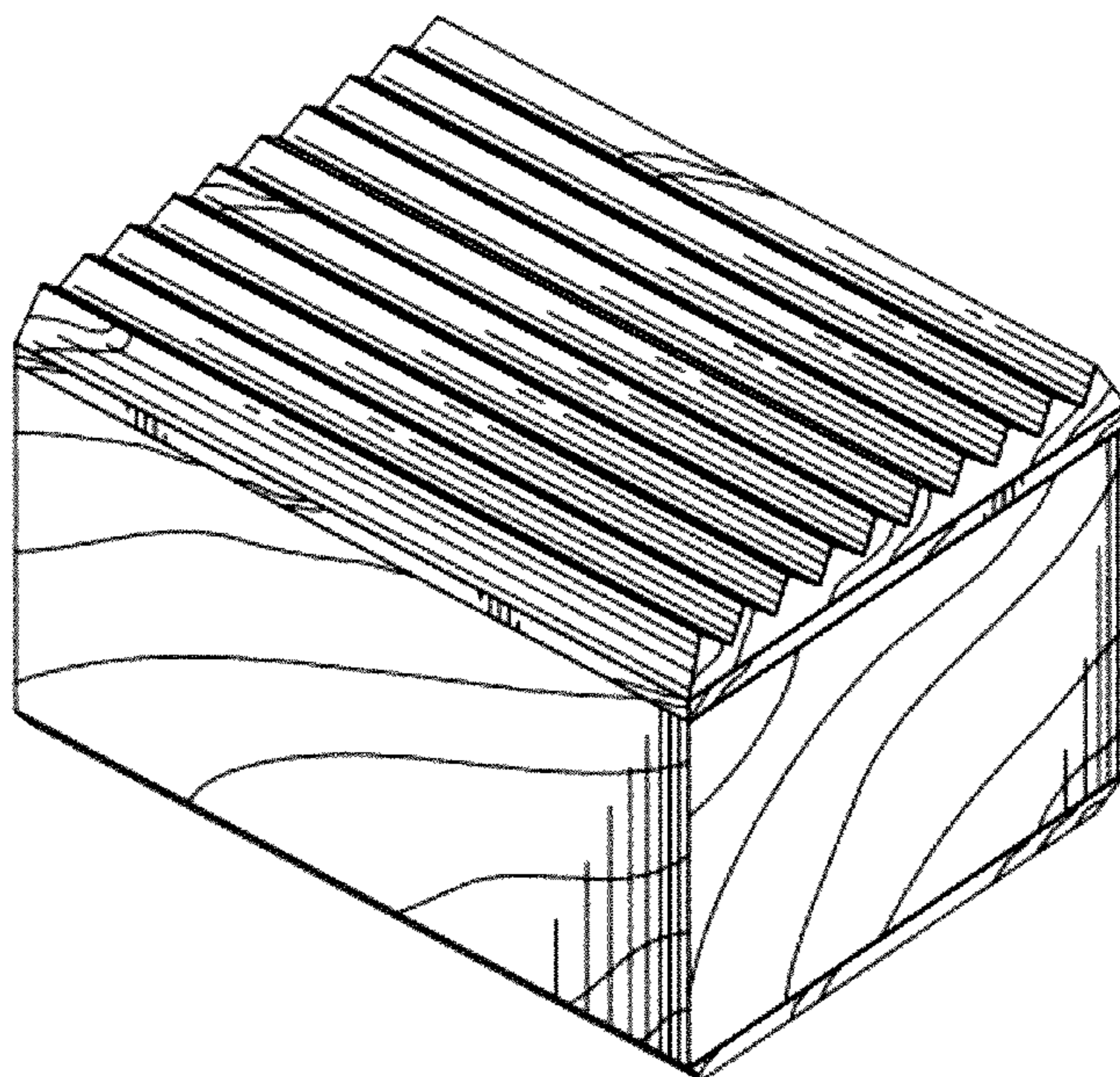
(57) **CLAIM**

The ornamental design for a wood covered jar, as shown and described.

**DESCRIPTION**

FIG. 1 shows a top perspective view of a wood covered jar of the invention;  
 FIG. 2 shows a top perspective view thereof, with the cover removed;  
 FIG. 3 shows the top view thereof;  
 FIG. 4 shows a bottom view thereof;  
 FIG. 5 shows a top view thereof, with the cover removed;  
 FIG. 6 shows a bottom view thereof, with the cover removed;  
 FIG. 7 shows a left side view thereof, with the cover in place; the right side view is the mirror image thereof;  
 FIG. 8 shows a front view thereof, with the cover in place; the rear view is the mirror image thereof;  
 FIG. 9 shows a left side view thereof, with the cover removed; the right side view with the cover removed is the mirror image thereof; and,  
 FIG. 10 shows a front view thereof, with the cover removed; the rear view is the mirror image thereof.

**1 Claim, 6 Drawing Sheets**



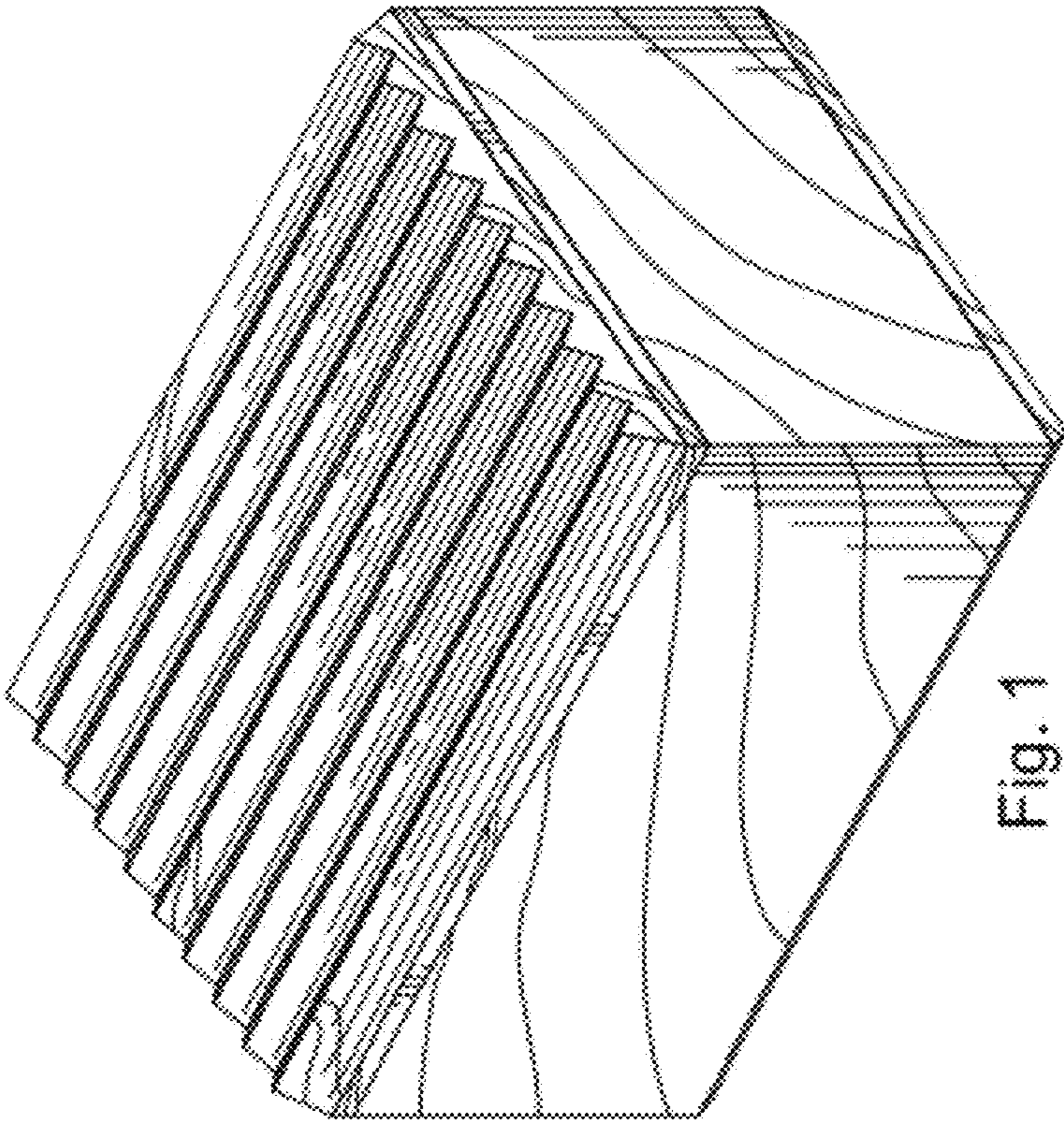


Fig. 1



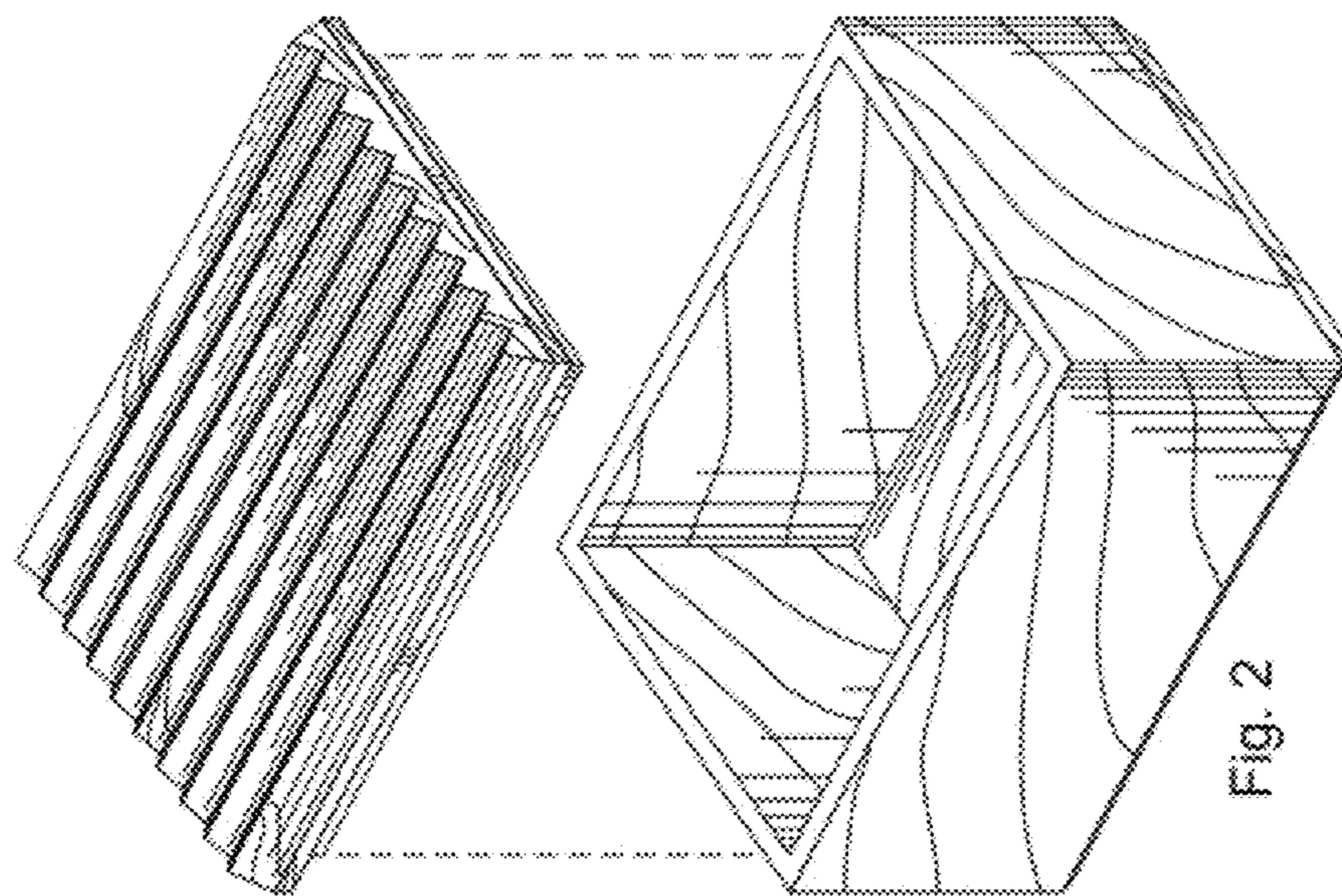


Fig. 2

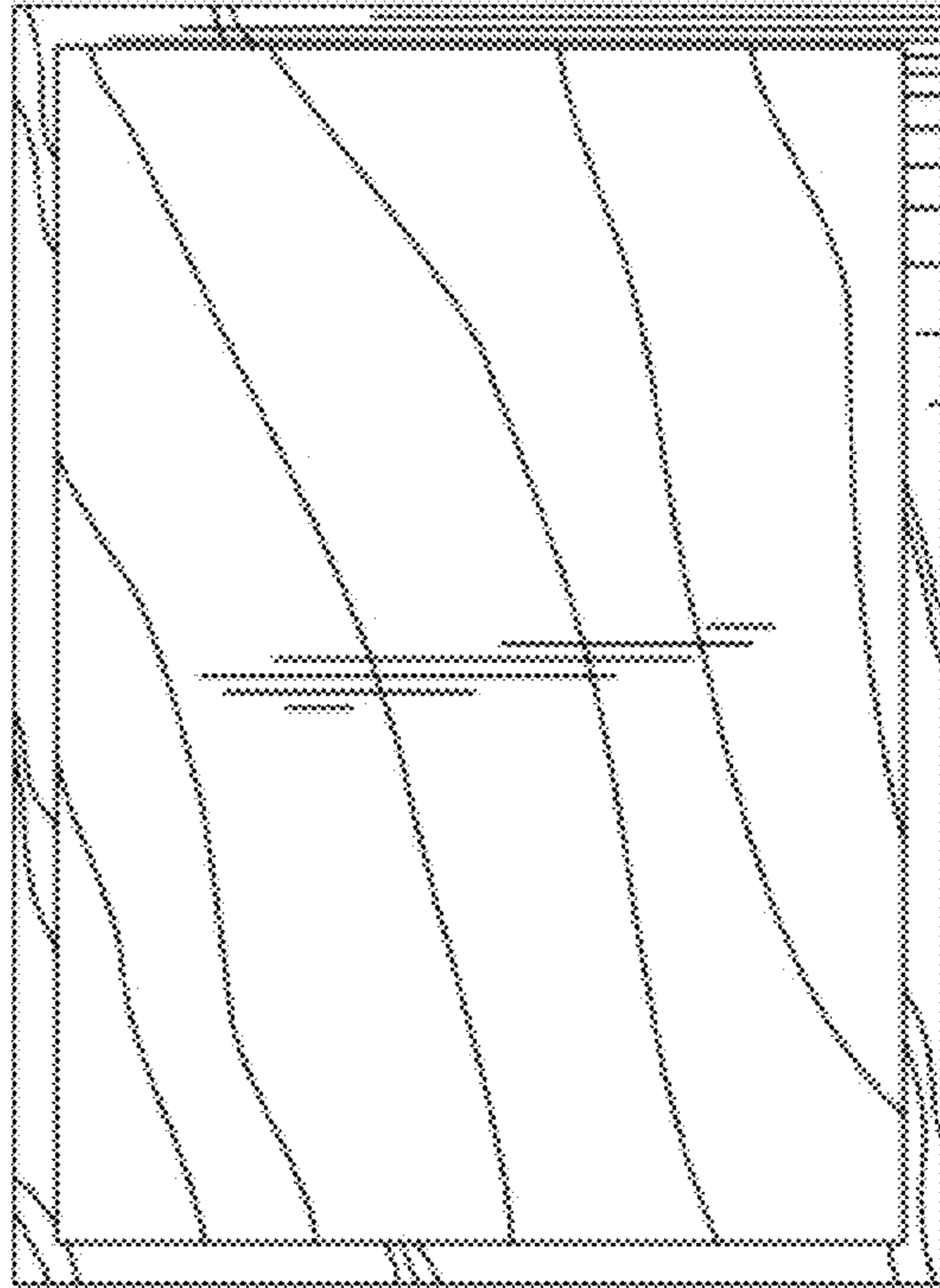


Fig. 4

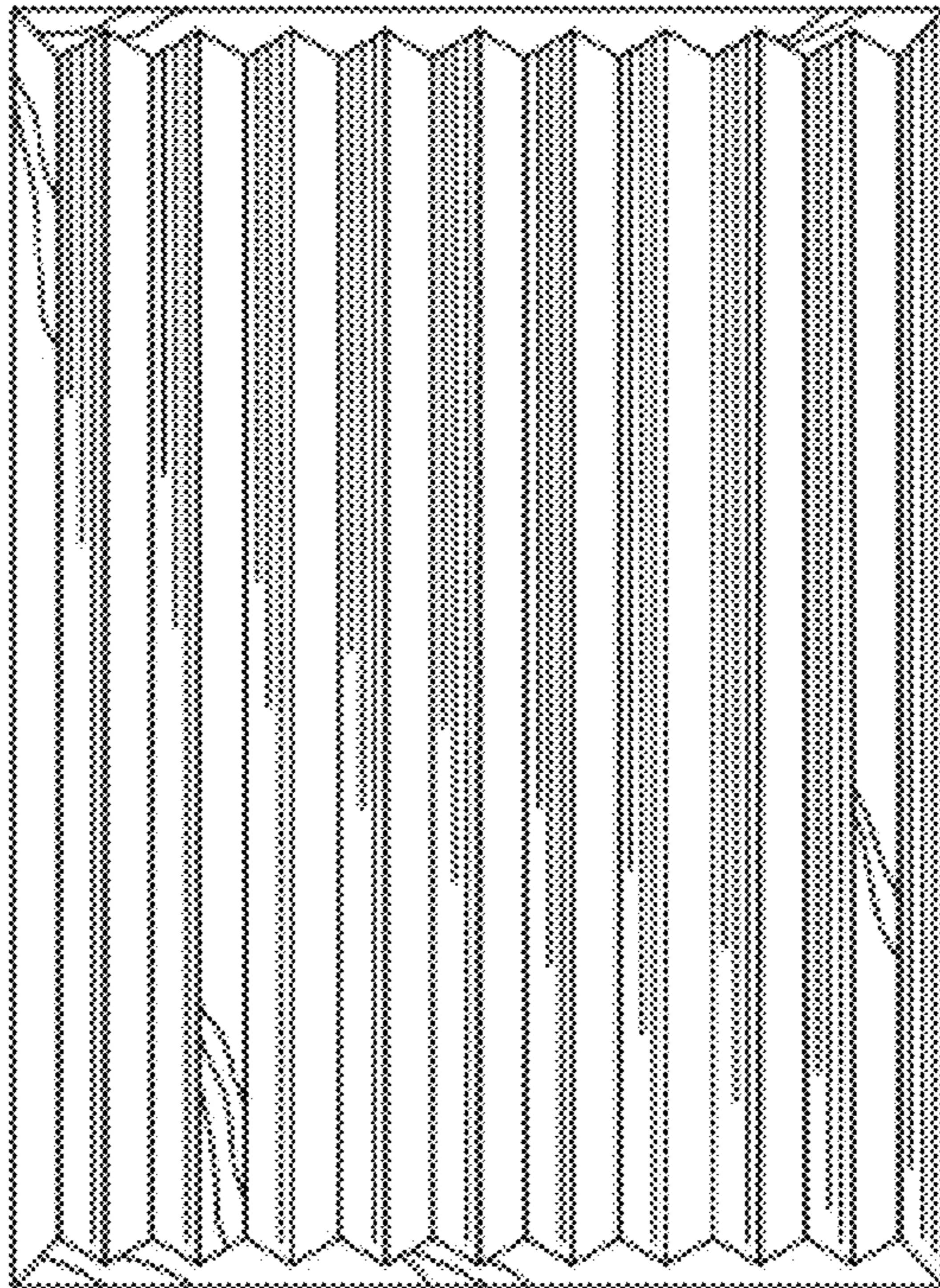


Fig. 3

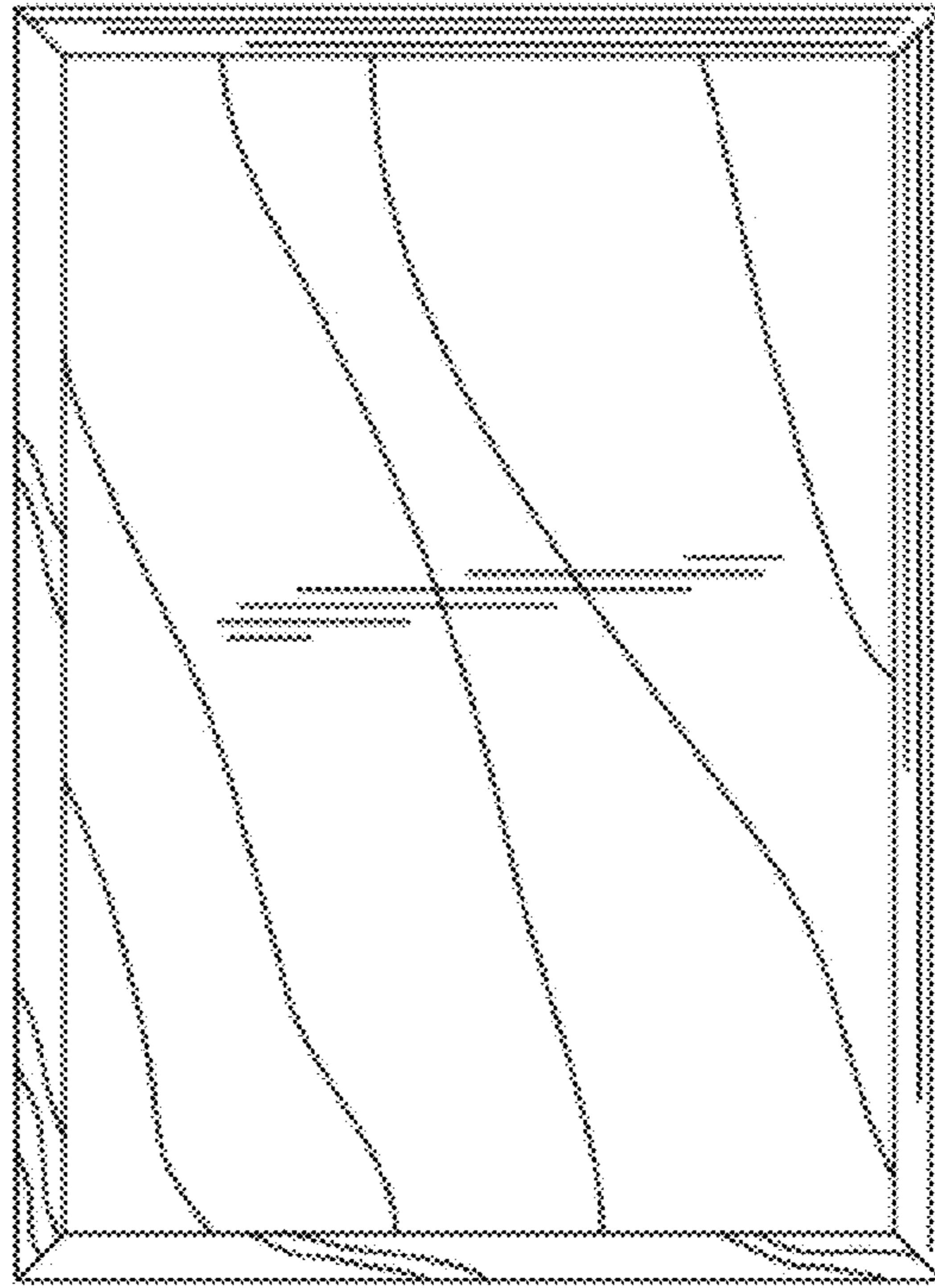


Fig. 6

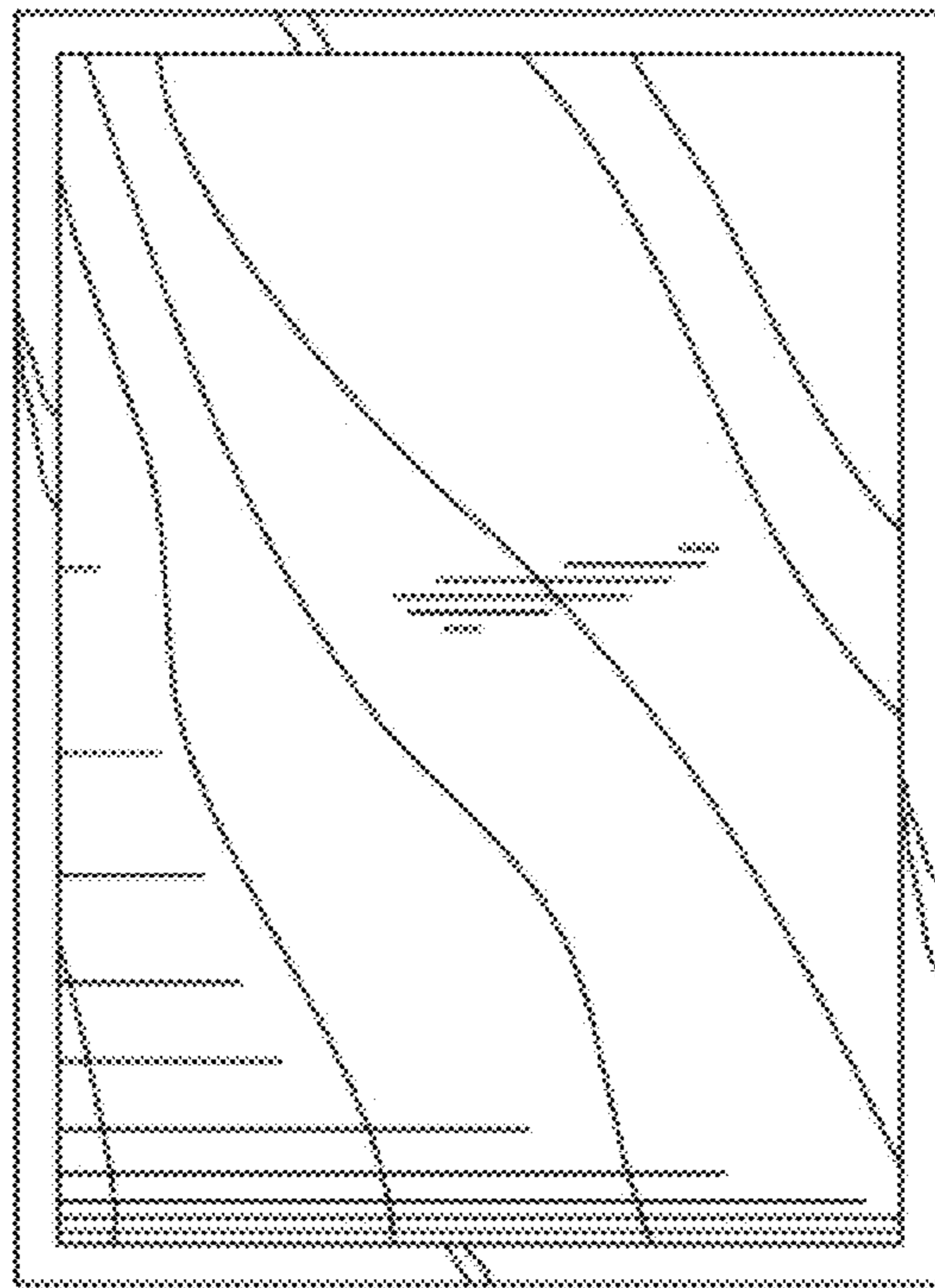


Fig. 5



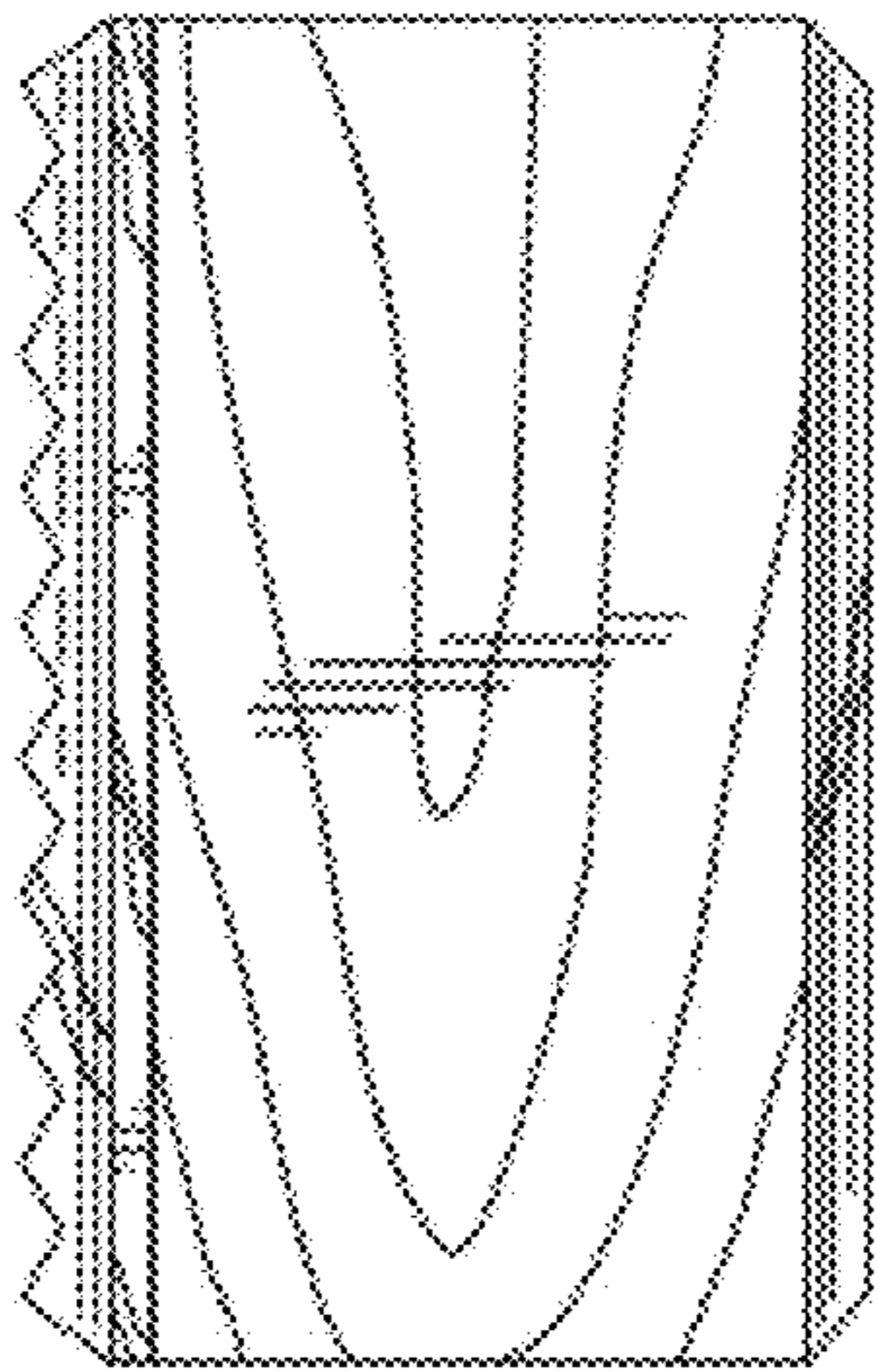


Fig. 7

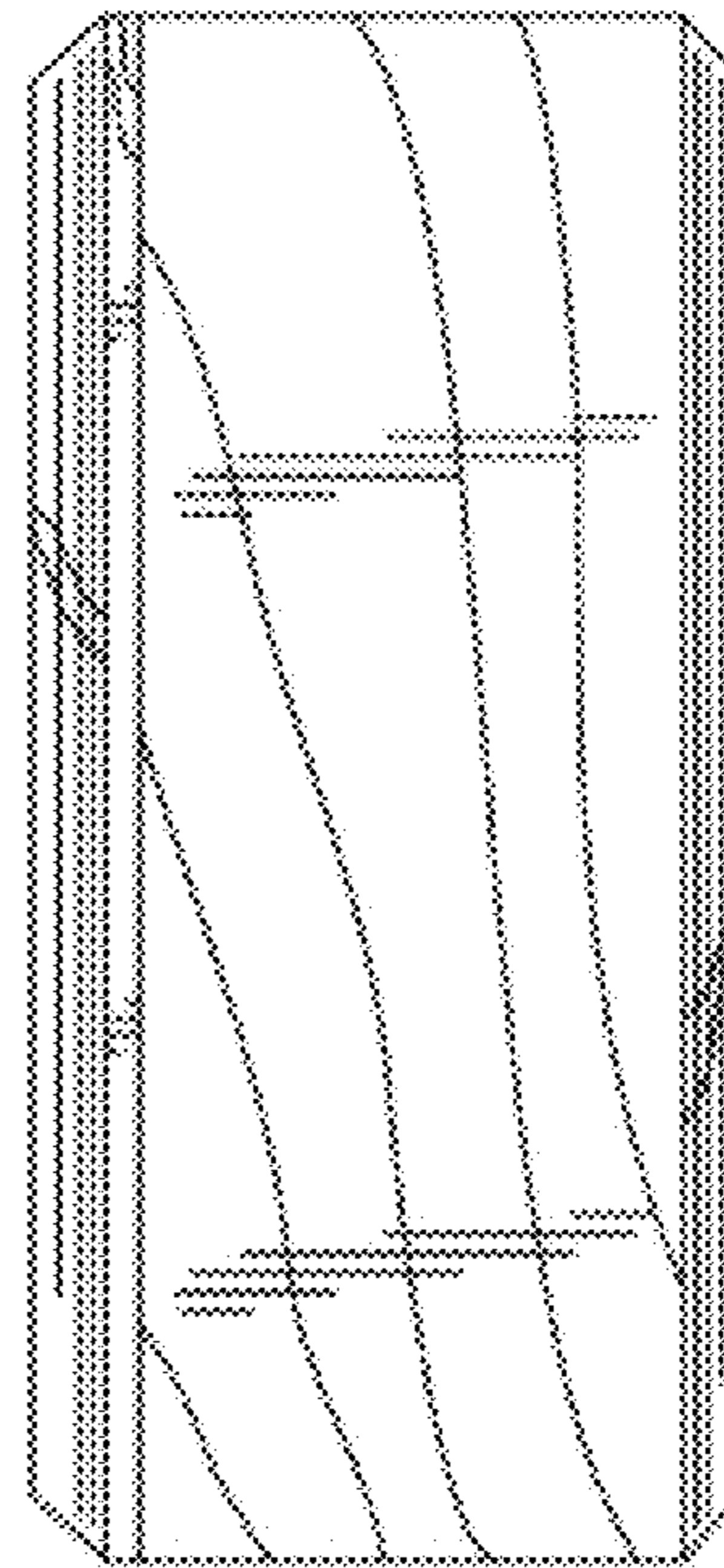


Fig. 8

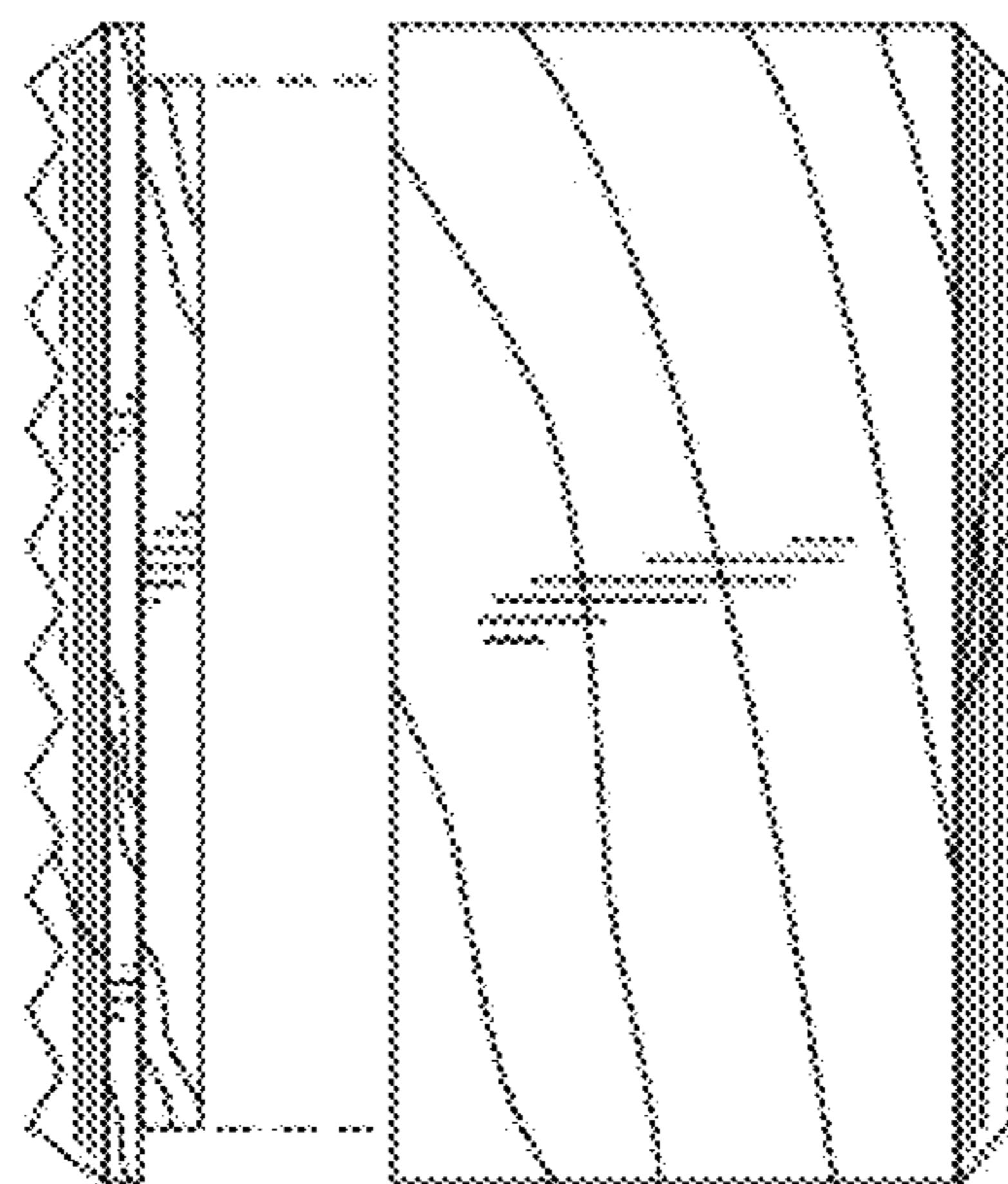


Fig. 9

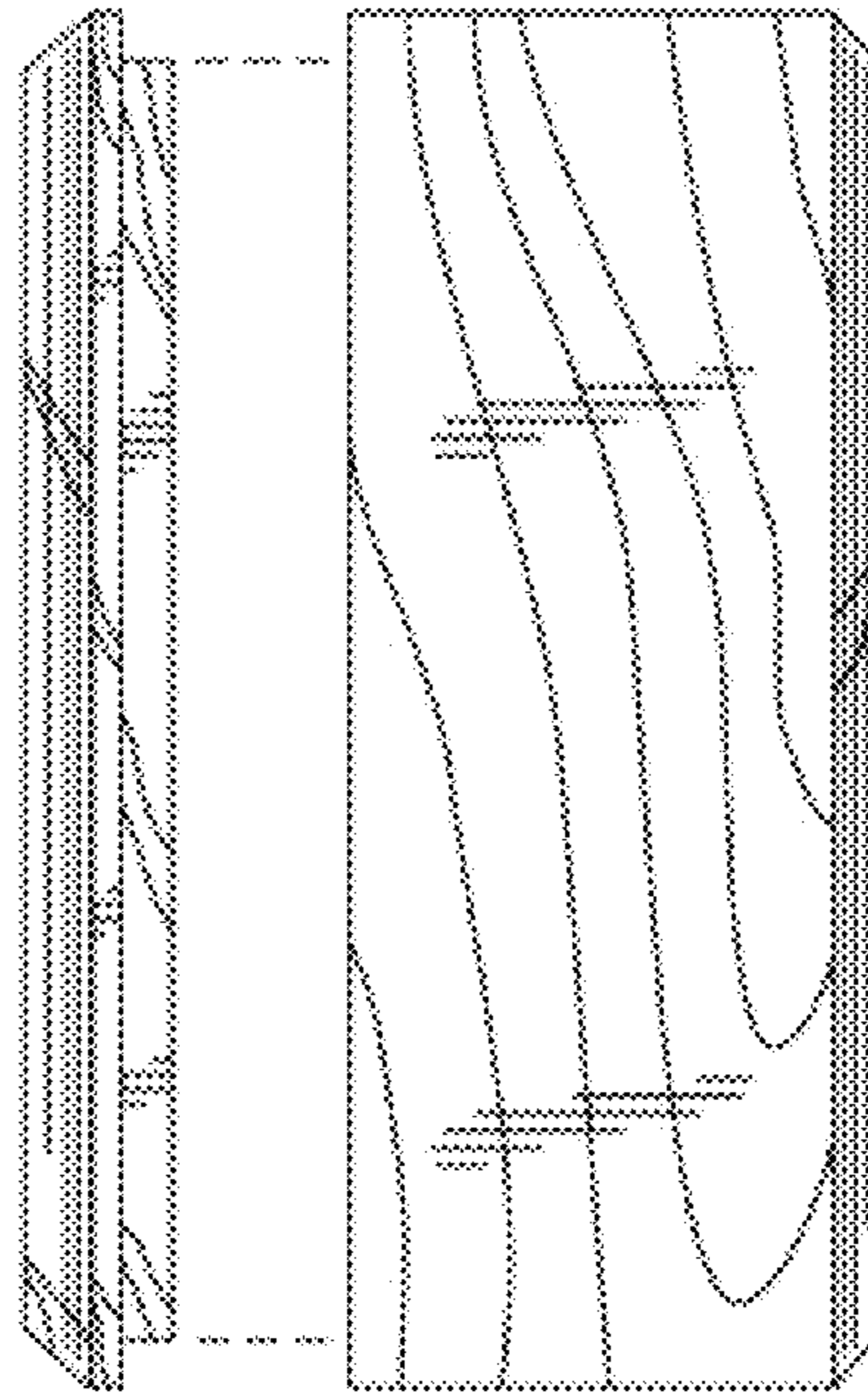


Fig. 10