



US00D669677S

(12) **United States Design Patent**
Cohen

(10) **Patent No.:** **US D669,677 S**

(45) **Date of Patent:** **** Oct. 30, 2012**

(54) **UMBRELLA SHELTER WITH A SQUARED CANOPY**

(76) Inventor: **Warren Cohen, W. Conshohocken, PA (US)**

(**) Term: **14 Years**

(21) Appl. No.: **29/422,827**

(22) Filed: **May 24, 2012**

(51) **LOC (9) Cl.** **03-03**

(52) **U.S. Cl.** **D3/5**

(58) **Field of Classification Search** D3/5, 6,
D3/10, 11, 12; 135/15.1, 19.5, 25.41, 33.41,
135/34.2

See application file for complete search history.

(56) **References Cited**

U.S. PATENT DOCUMENTS

172,380	A *	1/1876	Bockstaller	135/16
706,605	A *	8/1902	Slyder	296/102
D47,246	S *	4/1915	Liedberg	D3/5
D56,043	S *	8/1920	Weinberg et al.	D3/5
2,024,105	A *	12/1935	Landman	135/33.7
2,934,076	A *	4/1960	Fulke	135/147
D260,322	S *	8/1981	Williams	D3/5
D294,772	S *	3/1988	Baldwin	D3/5
5,909,746	A *	6/1999	Doster et al.	135/25.1
D449,926	S *	11/2001	Tsai	D3/5
D491,348	S *	6/2004	Clarke	D3/5
D516,294	S *	3/2006	Olson et al.	D3/5

D548,452	S *	8/2007	Oelzant	D3/10
D621,600	S *	8/2010	He	D3/5
D623,844	S *	9/2010	Elder	D3/5
D627,552	S *	11/2010	Elder	D3/5
D627,553	S *	11/2010	Elder	D3/5
D627,554	S *	11/2010	Elder	D3/5
D627,555	S *	11/2010	Elder	D3/5
D627,961	S *	11/2010	Elder	D3/5
7,918,236	B2 *	4/2011	Elder	135/33.2
D649,617	S *	11/2011	Bandini	D21/837
8,104,494	B2 *	1/2012	Elder	135/33.2
2005/0028852	A1 *	2/2005	Reese	135/20.1
2009/0301531	A1 *	12/2009	Elder	135/16

* cited by examiner

Primary Examiner — John Windmuller

(74) *Attorney, Agent, or Firm* — LaMorte & Associates, P.C.

(57) **CLAIM**

The ornamental design for an umbrella shelter with a squared canopy, as shown and described.

DESCRIPTION

FIG. 1 is a top perspective view of an umbrella shelter with a squared canopy;

FIG. 2 is a bottom perspective view thereof;

FIG. 3 is a front view thereof;

FIG. 4 is a rear view thereof;

FIG. 5 is a right side view thereof;

FIG. 6 is a left side view thereof;

FIG. 7 is a top view thereof; and,

FIG. 8 is a bottom view thereof.

1 Claim, 7 Drawing Sheets

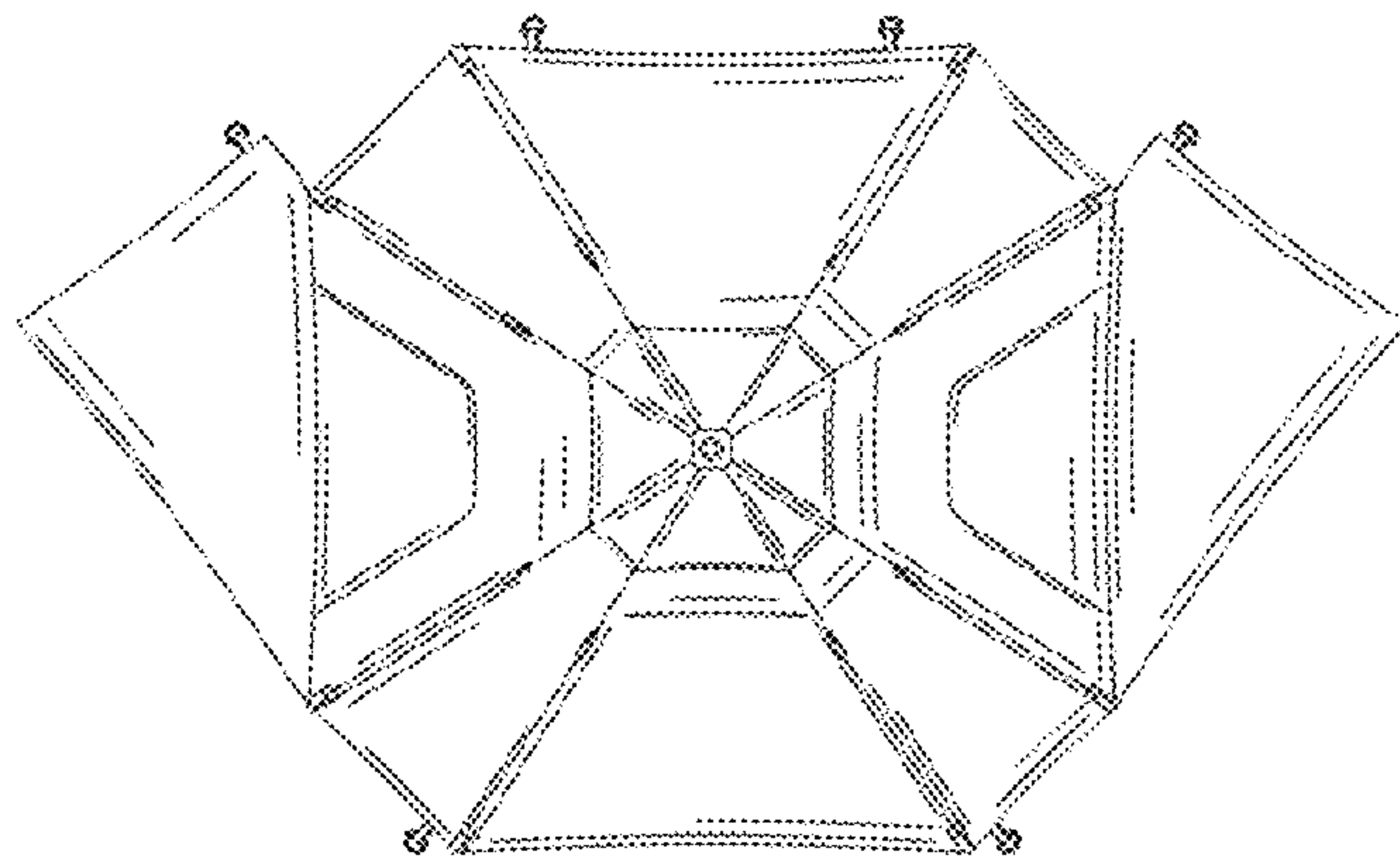
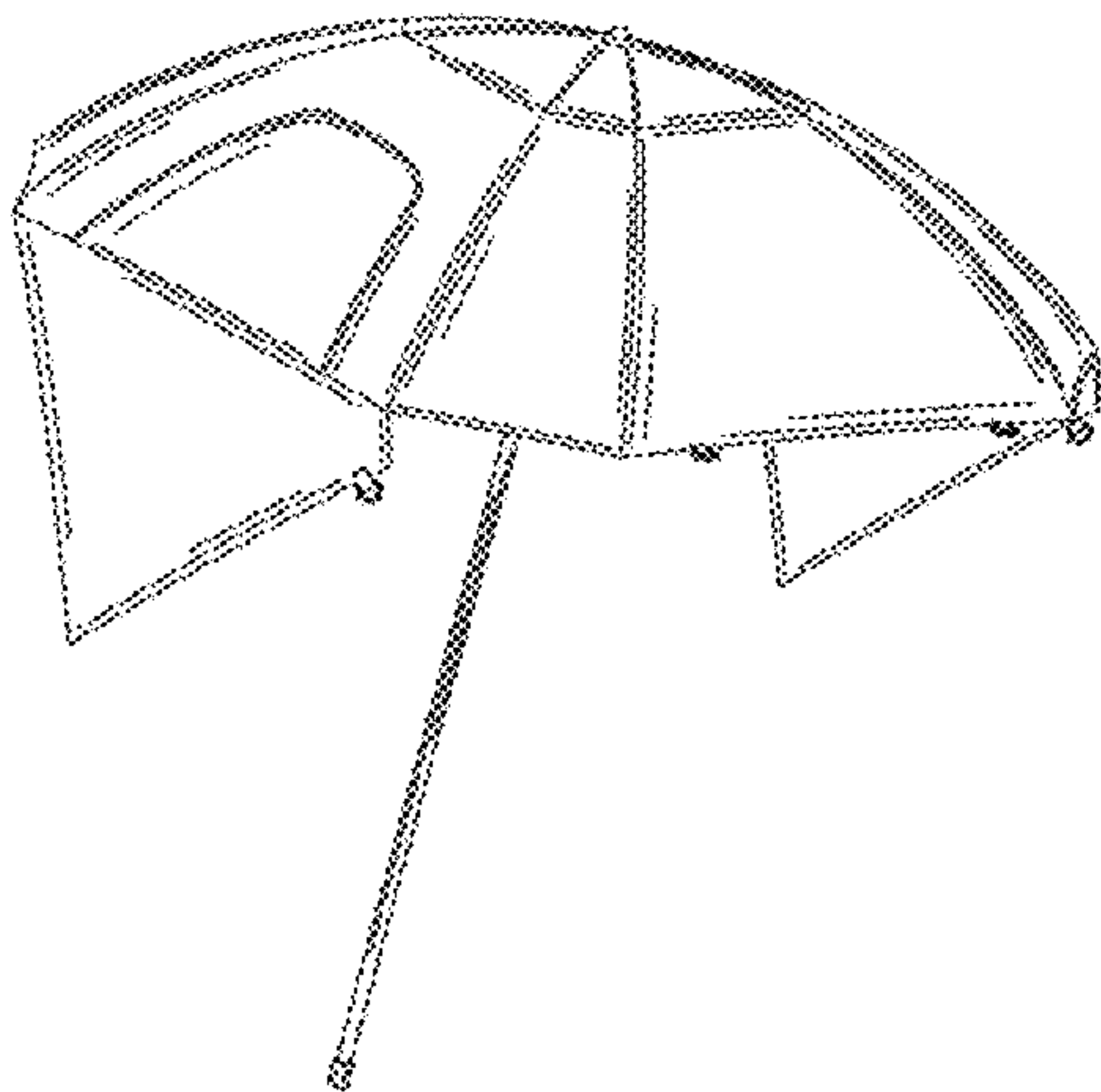




FIG. 1



FIG. 2



FIG. 3



FIG. 4

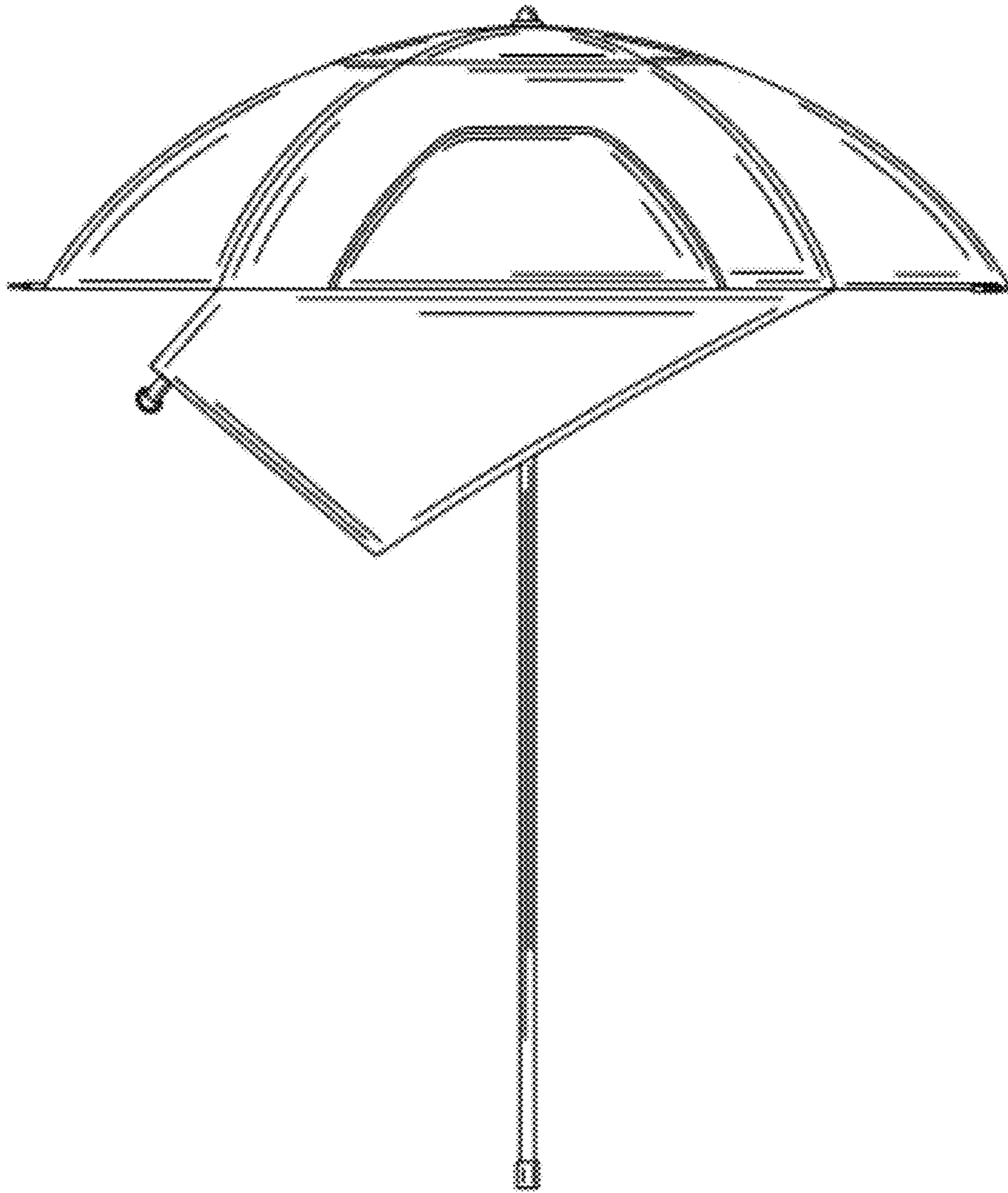


FIG. 5

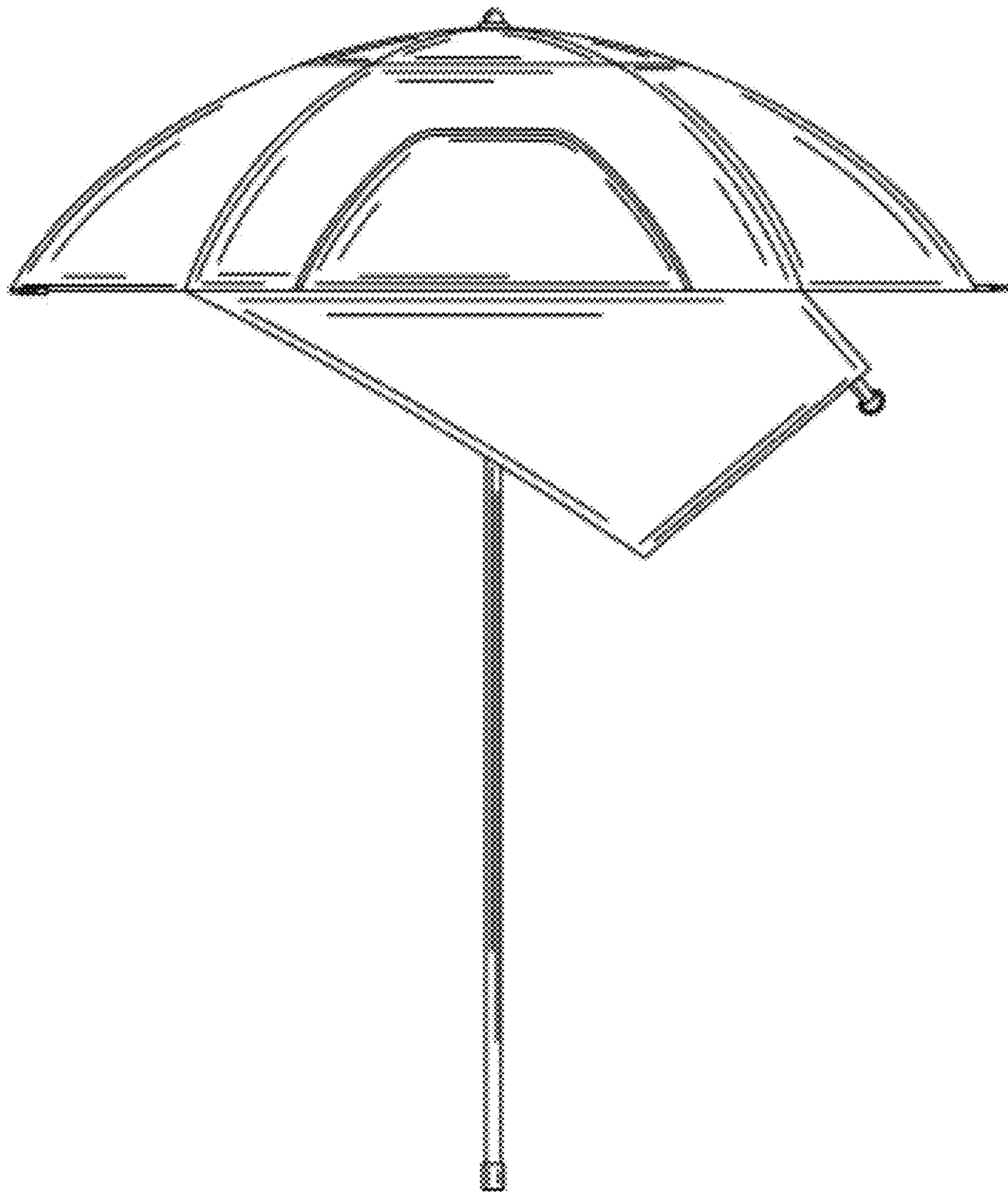


FIG. 6

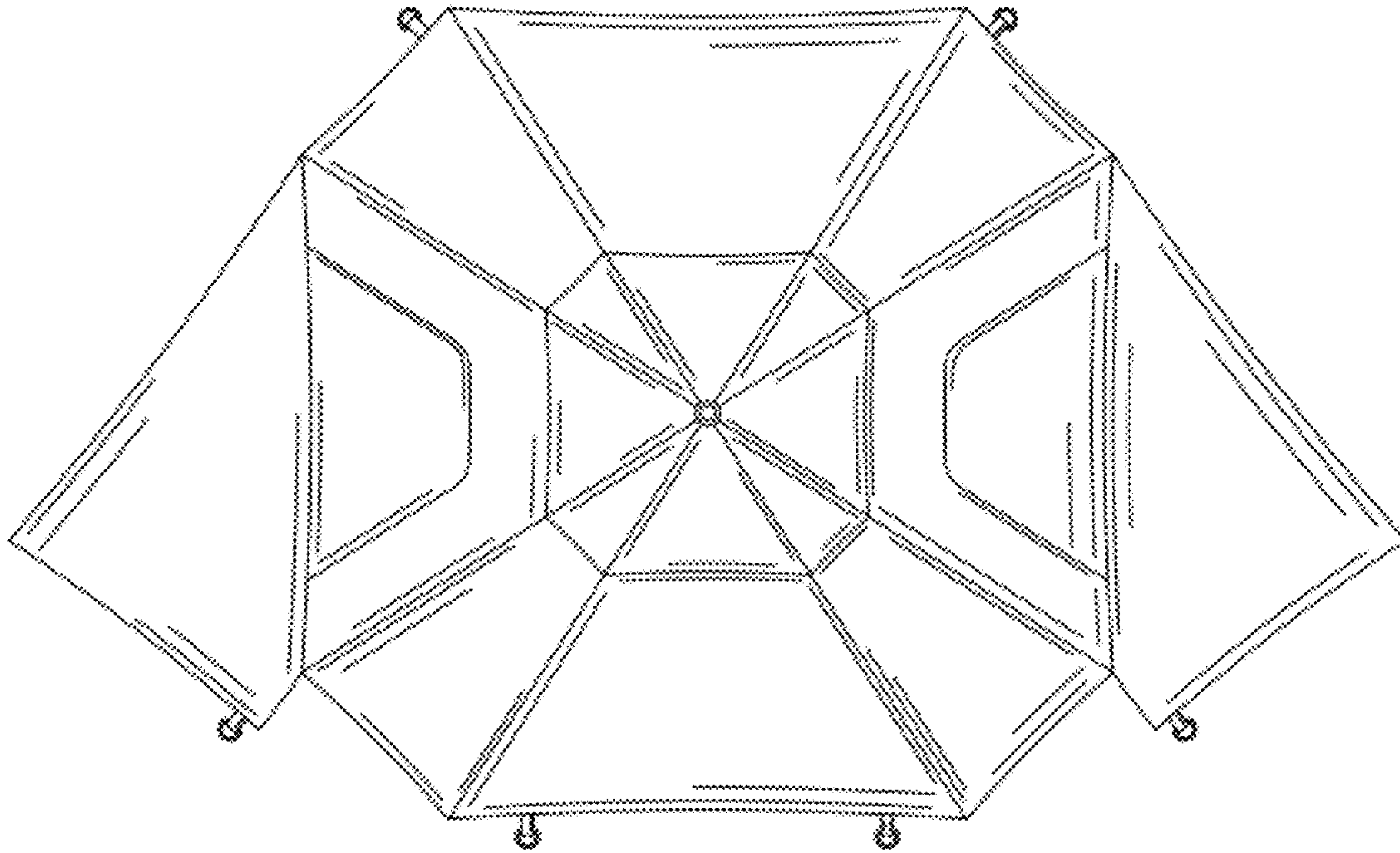


FIG. 7

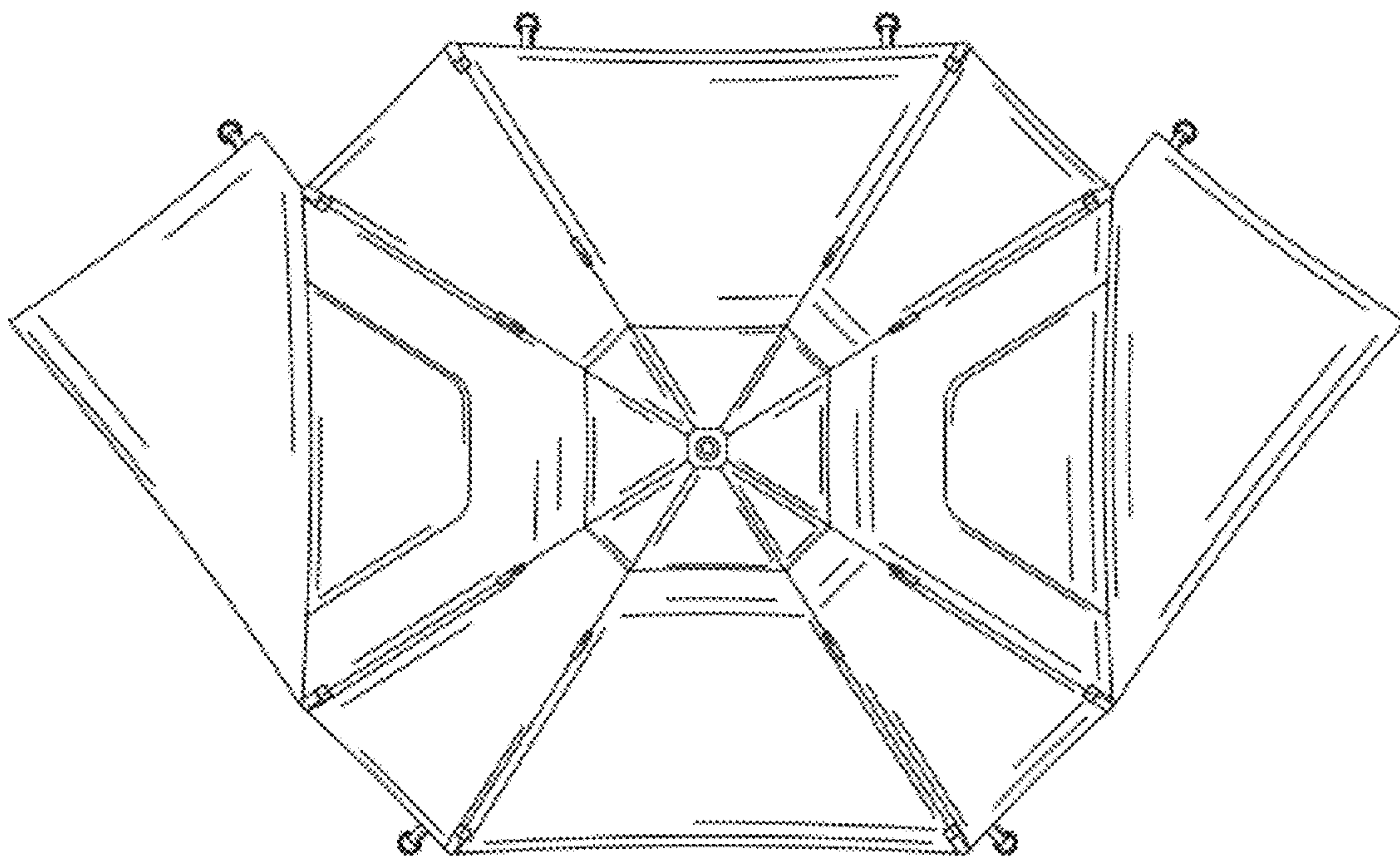


FIG. 8