



US00D669651S

(12) **United States Design Patent**
Ono

(10) **Patent No.:** **US D669,651 S**

(45) **Date of Patent:** **** Oct. 23, 2012**

(54) **CART**

(75) **Inventor:** **Naho Ono**, Kanagawa (JP)

(73) **Assignee:** **Okamura Corporation**, Kanagawa (JP)

(**) **Term:** **14 Years**

(21) **Appl. No.:** **29/410,729**

(22) **Filed:** **Jan. 11, 2012**

(30) **Foreign Application Priority Data**

Jul. 12, 2011 (JP) 2011-015992

(51) **LOC (9) Cl.** **12-02**

(52) **U.S. Cl.** **D34/12**

(58) **Field of Classification Search** D34/12-27;
280/47.26, 47.35, 47.34, 47.24, 47.27, 47.29,
280/79.3, 79.11, 654, 655, 47.28; D6/477,
D6/478; 211/149

See application file for complete search history.

(56) **References Cited**

U.S. PATENT DOCUMENTS

D118,060	S	*	12/1939	Smith	D34/24
3,074,734	A	*	1/1963	Munson et al.	280/641
D304,112	S	*	10/1989	Bettess	D34/21
D305,710	S	*	1/1990	Ng et al.	D6/474
D339,441	S	*	9/1993	Marchant et al.	D34/21
D363,590	S	*	10/1995	Kazmerchek et al.	D34/21
6,688,634	B2	*	2/2004	Noffsinger	280/651
D500,575	S	*	1/2005	Lucas	D34/12

7,168,715	B1	*	1/2007	Friedman	280/47.35
7,188,847	B1	*	3/2007	Friedman	280/47.35
7,270,339	B2	*	9/2007	Feick	280/79.3
D553,324	S	*	10/2007	Lieblein	D34/14
8,074,815	B2	*	12/2011	Gerstner	211/193

* cited by examiner

Primary Examiner — Cynthia Ramirez

(74) *Attorney, Agent, or Firm* — Sughrue Mion, PLLC

(57) **CLAIM**

The ornamental design for a cart, as shown and described.

DESCRIPTION

FIG. 1 is a perspective view of a cart showing my new design;
 FIG. 2 is a front elevation view thereof.
 FIG. 3 is a rear elevation view thereof.
 FIG. 4 is a right side elevation view thereof.
 FIG. 5 is a left side elevation view thereof.
 FIG. 6 is a top plan view thereof.
 FIG. 7 is a bottom plan view thereof.
 FIG. 8 is a sectional view of line 8-8 in FIG. 2.
 FIG. 9 is a sectional view of line 9-9 in FIG. 2.
 FIG. 10 is a right side elevation view thereof showing the top board heightened; and,
 FIG. 11 is a referential view showing use.
 The portion of the cart shown in broken lines is for the purpose of showing environmental structure only and forms no part of the claimed design.

1 Claim, 11 Drawing Sheets

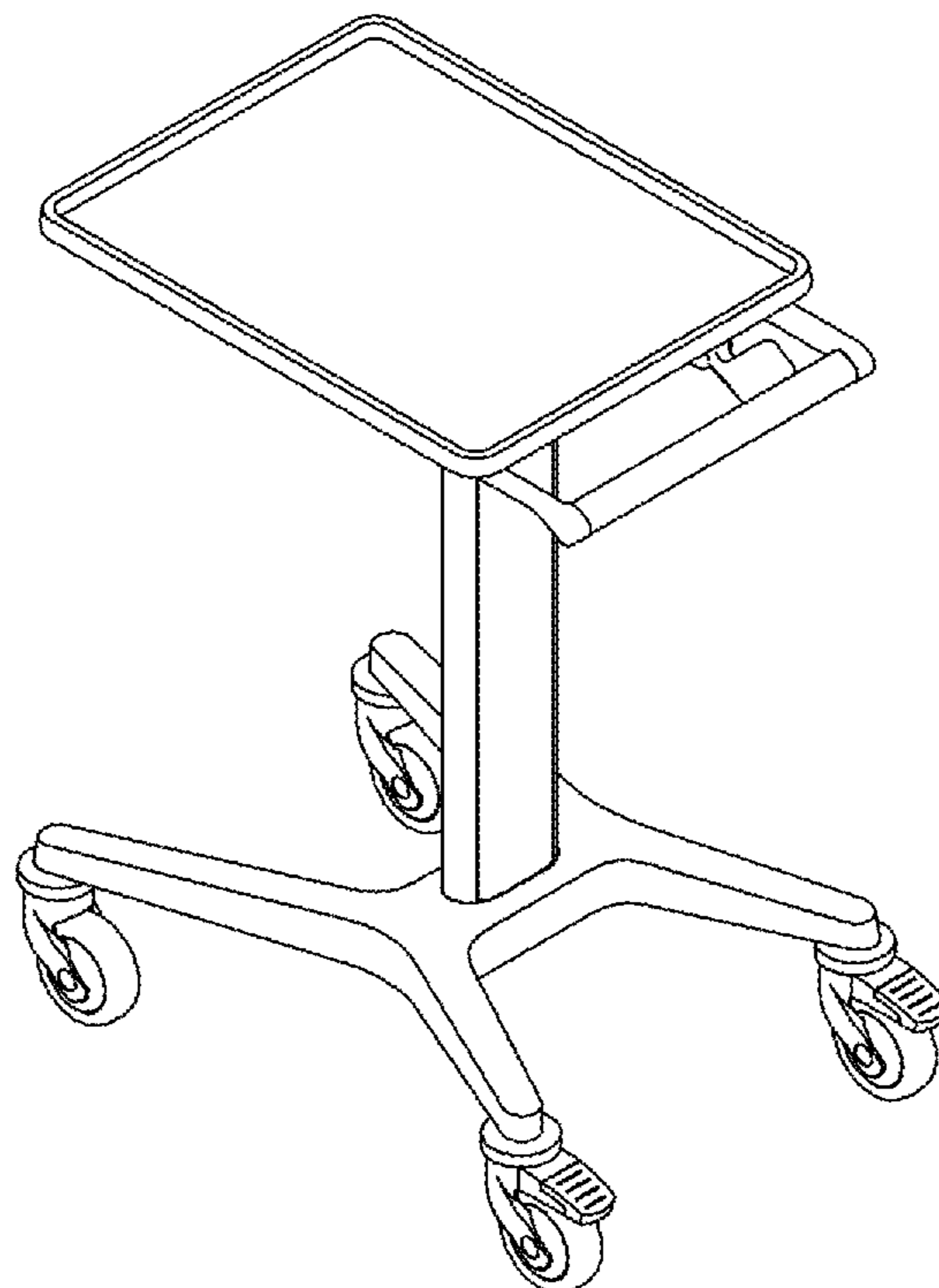


FIG. 1

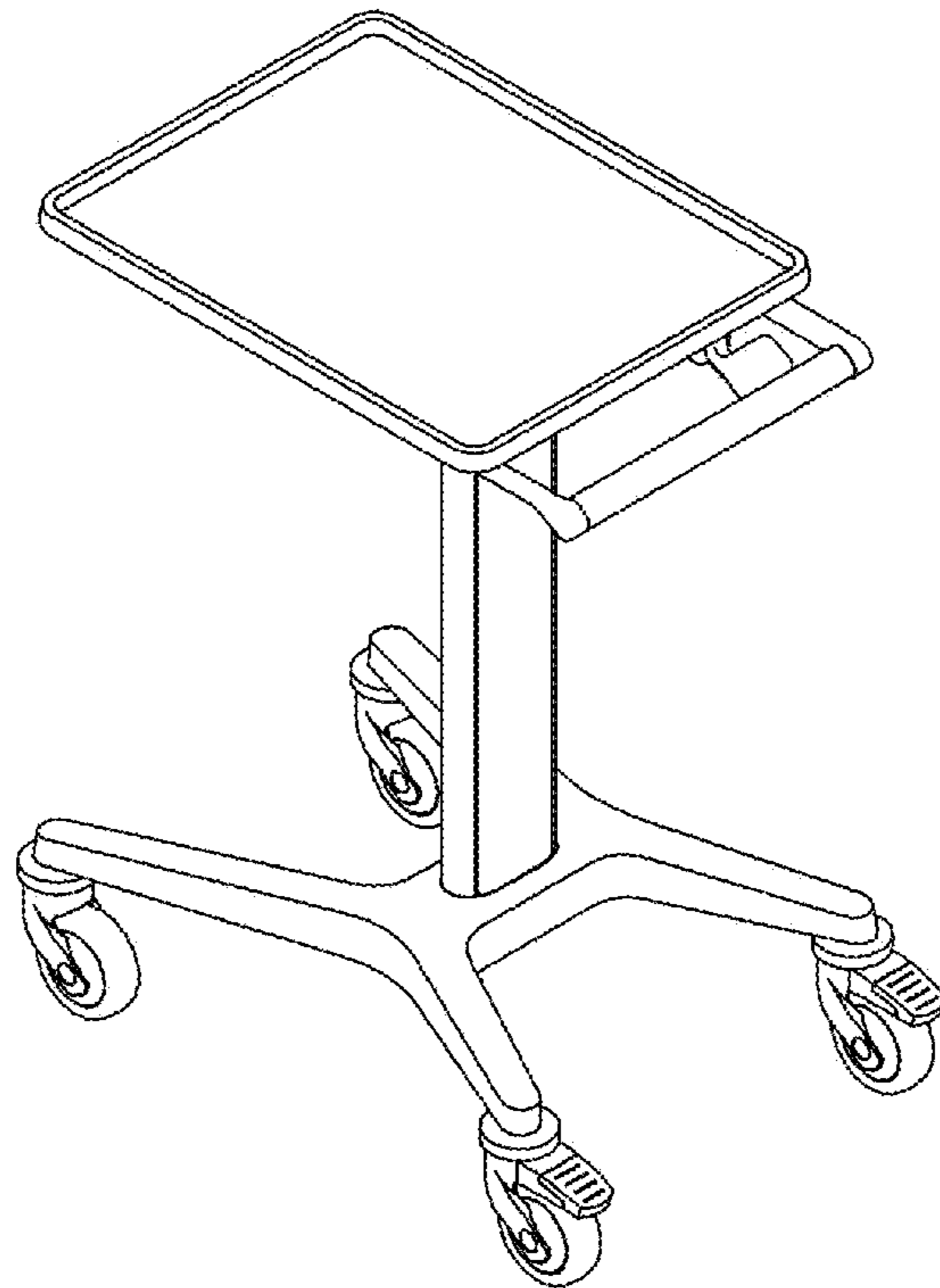


FIG. 2

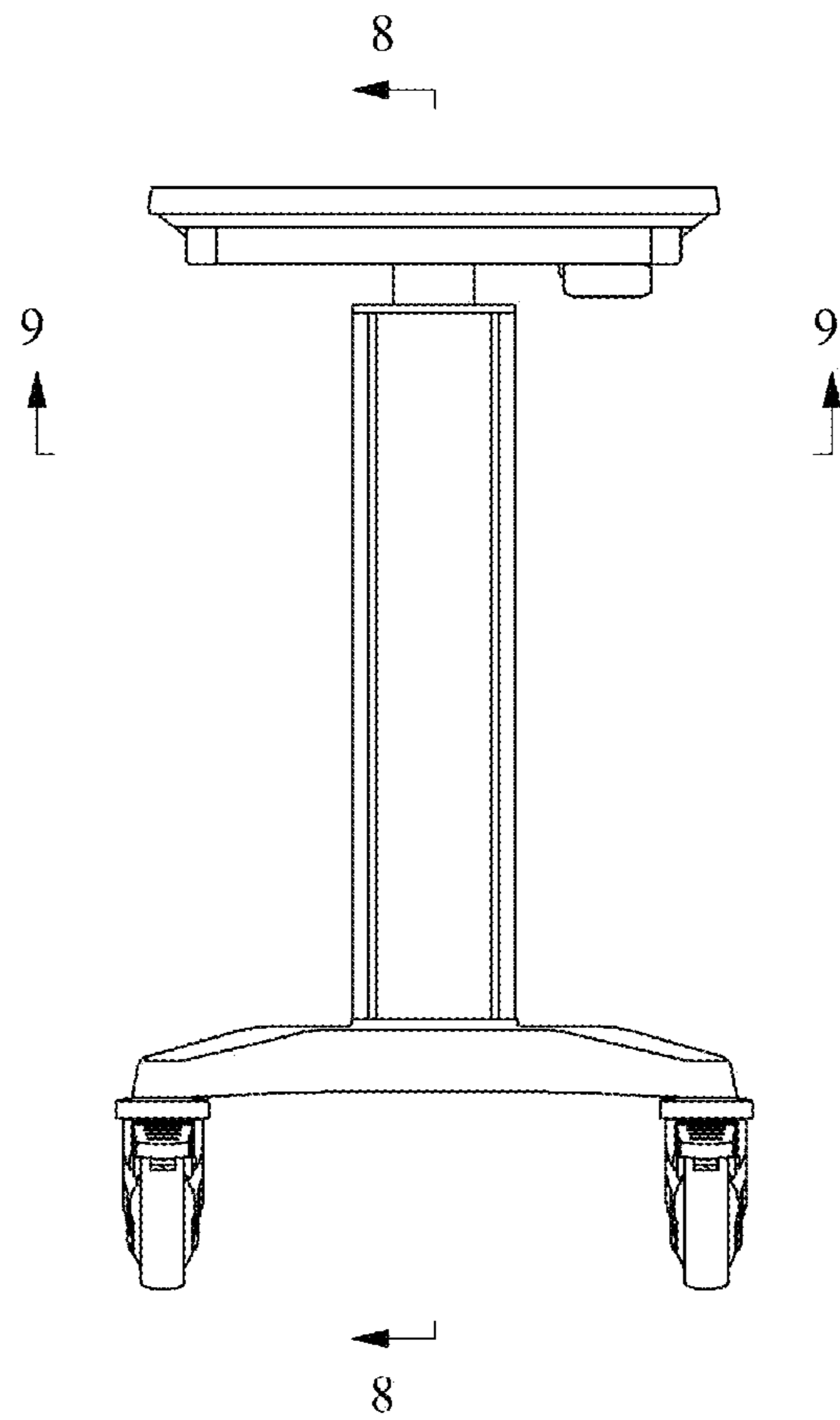


FIG. 3

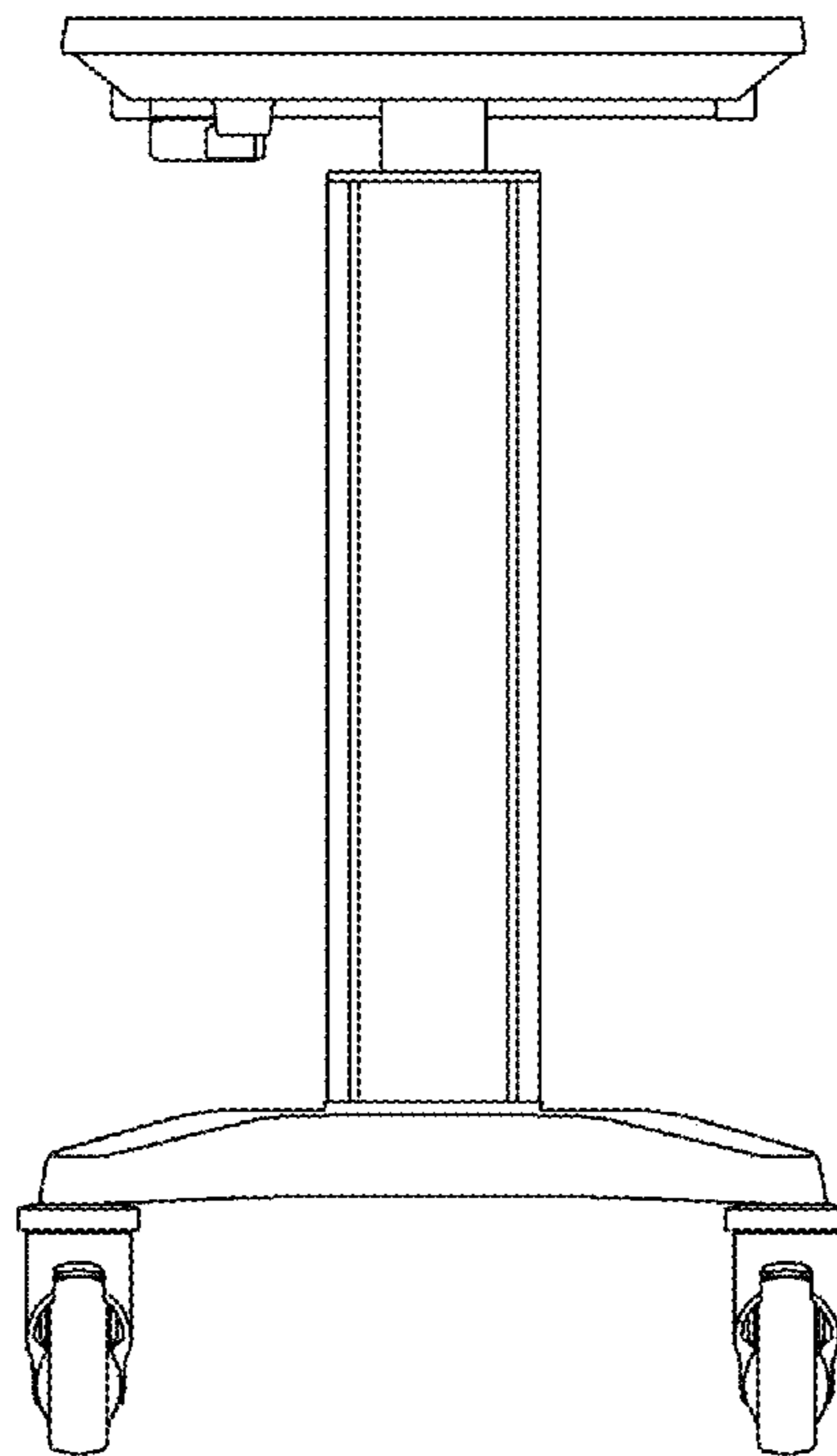


FIG. 4

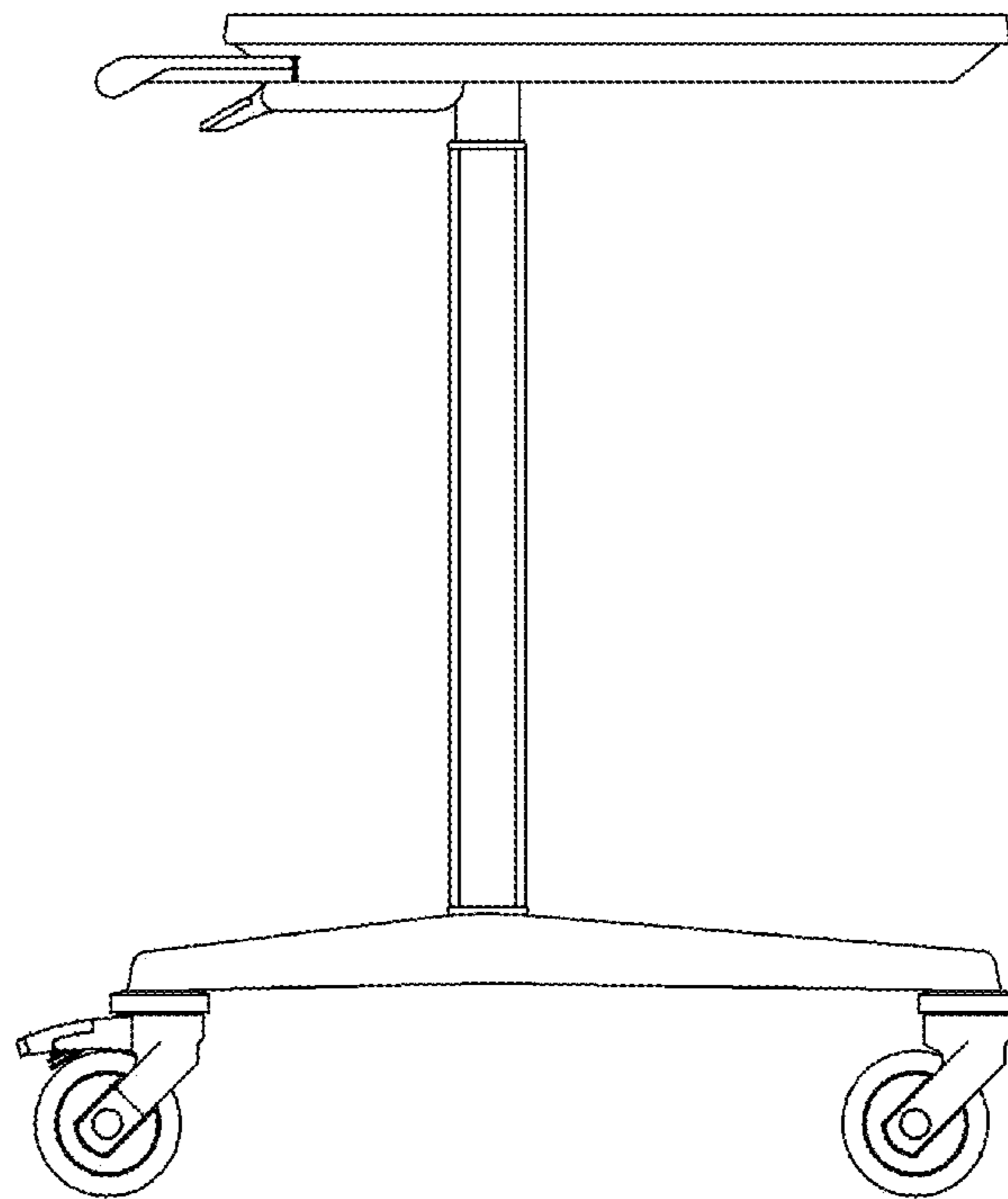


FIG. 5

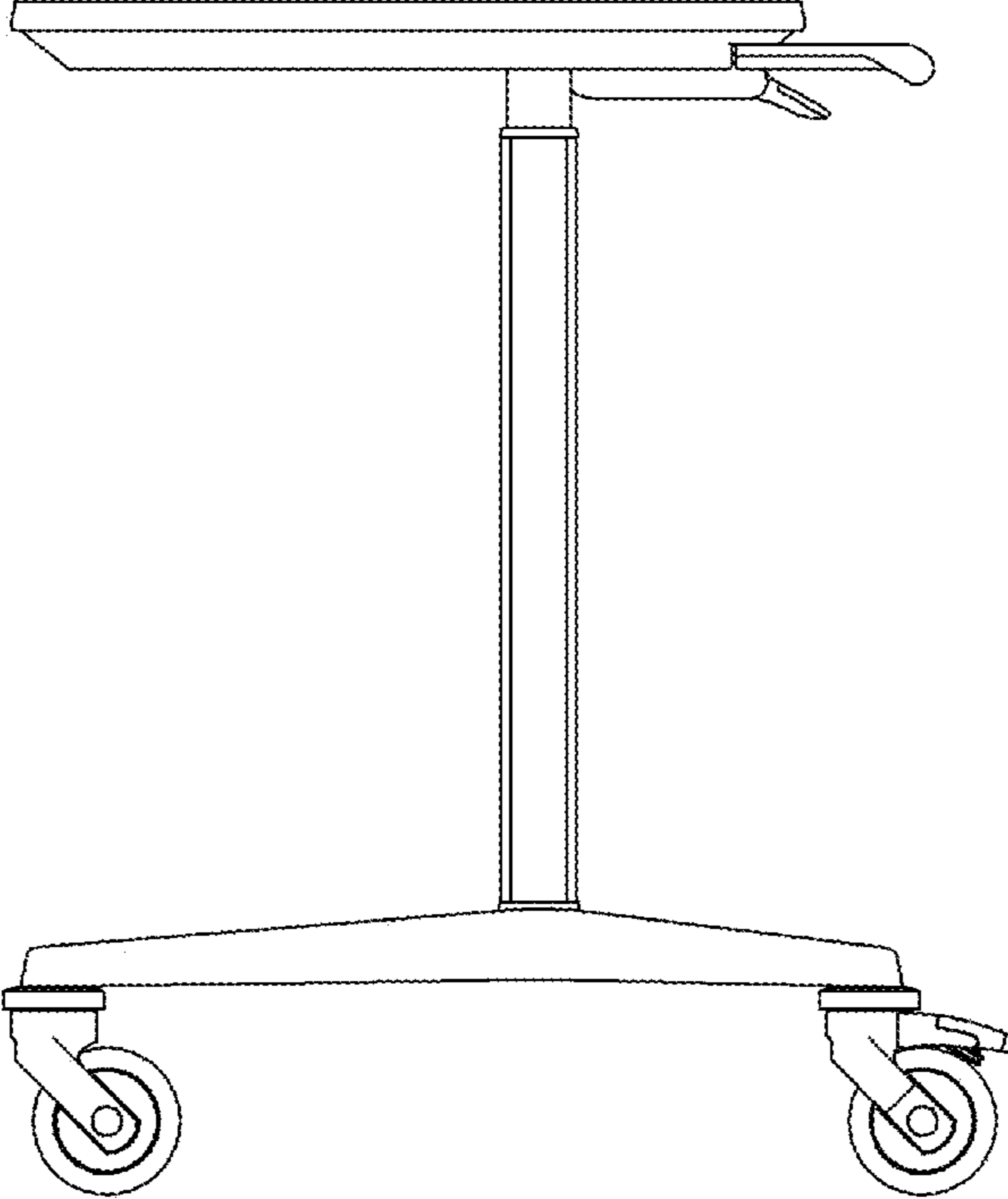


FIG. 6

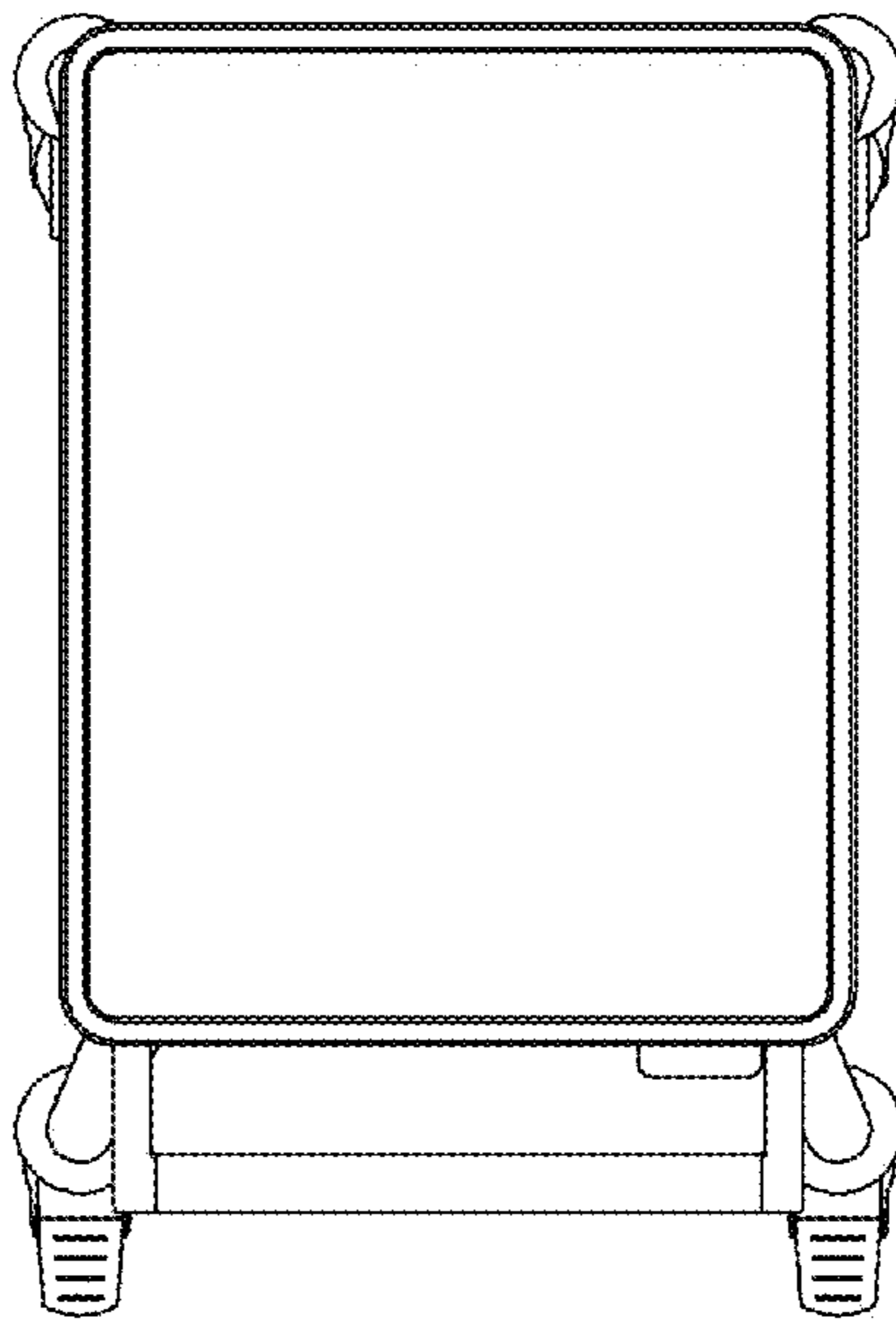


FIG. 7

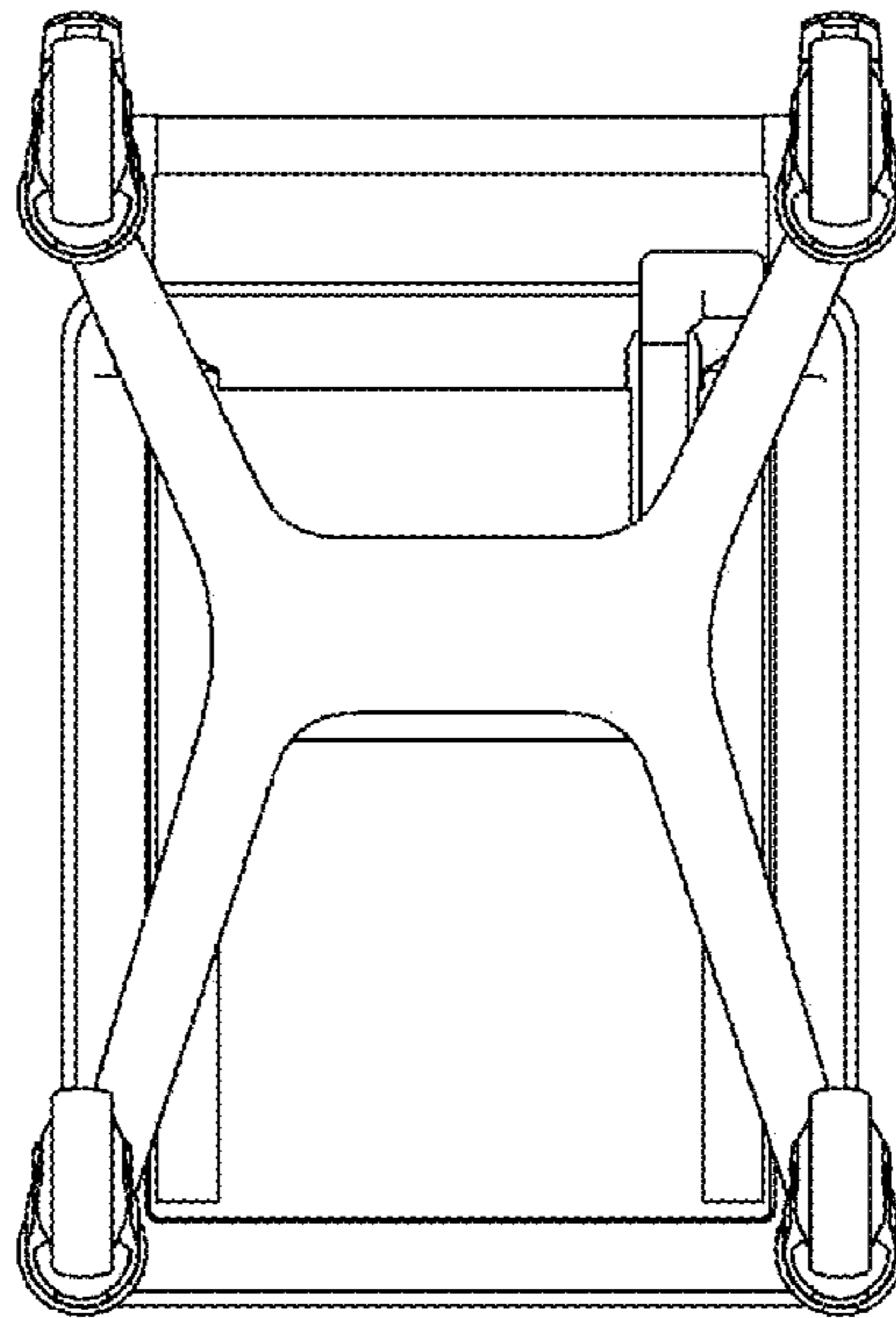


FIG. 8

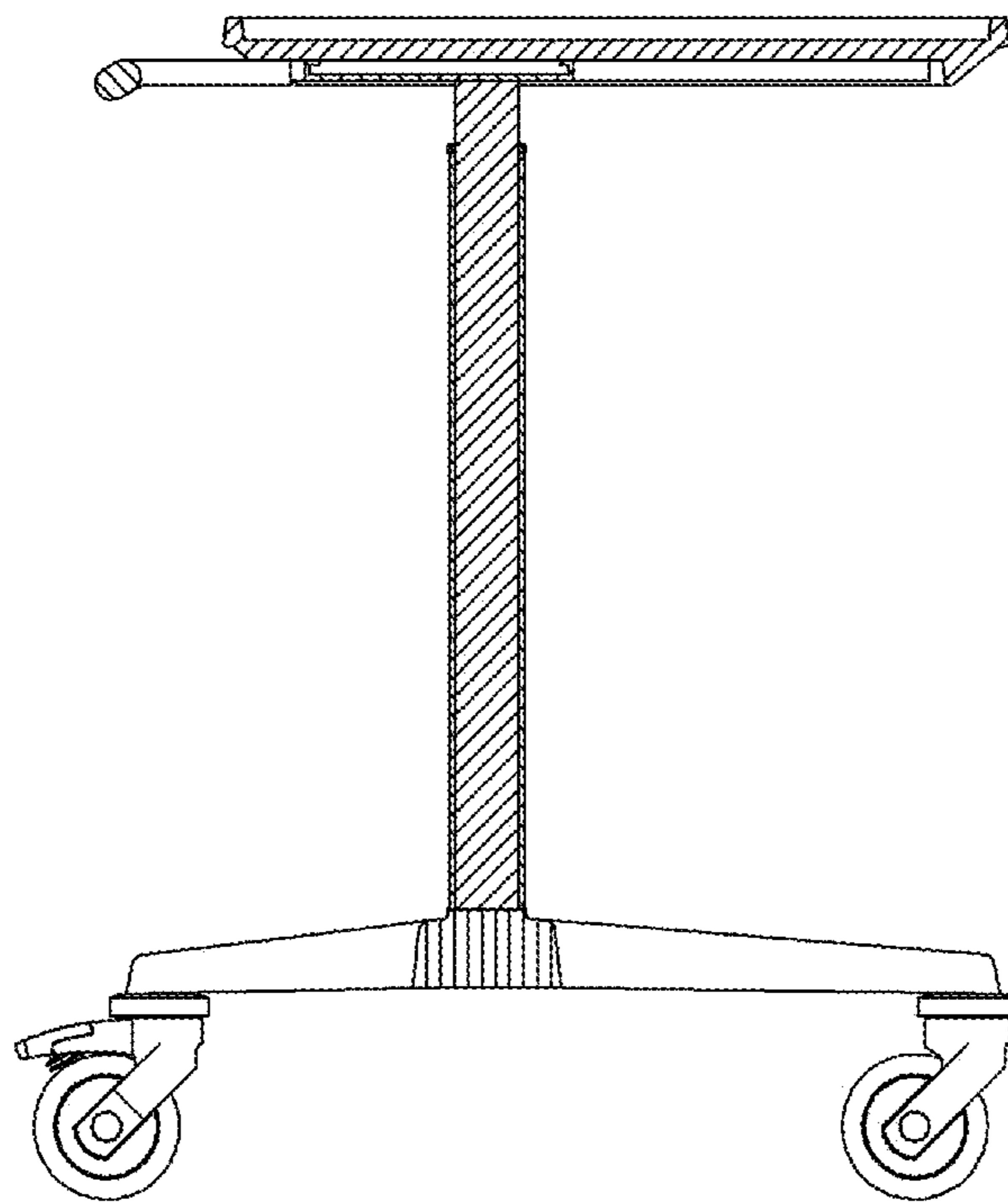


FIG. 9

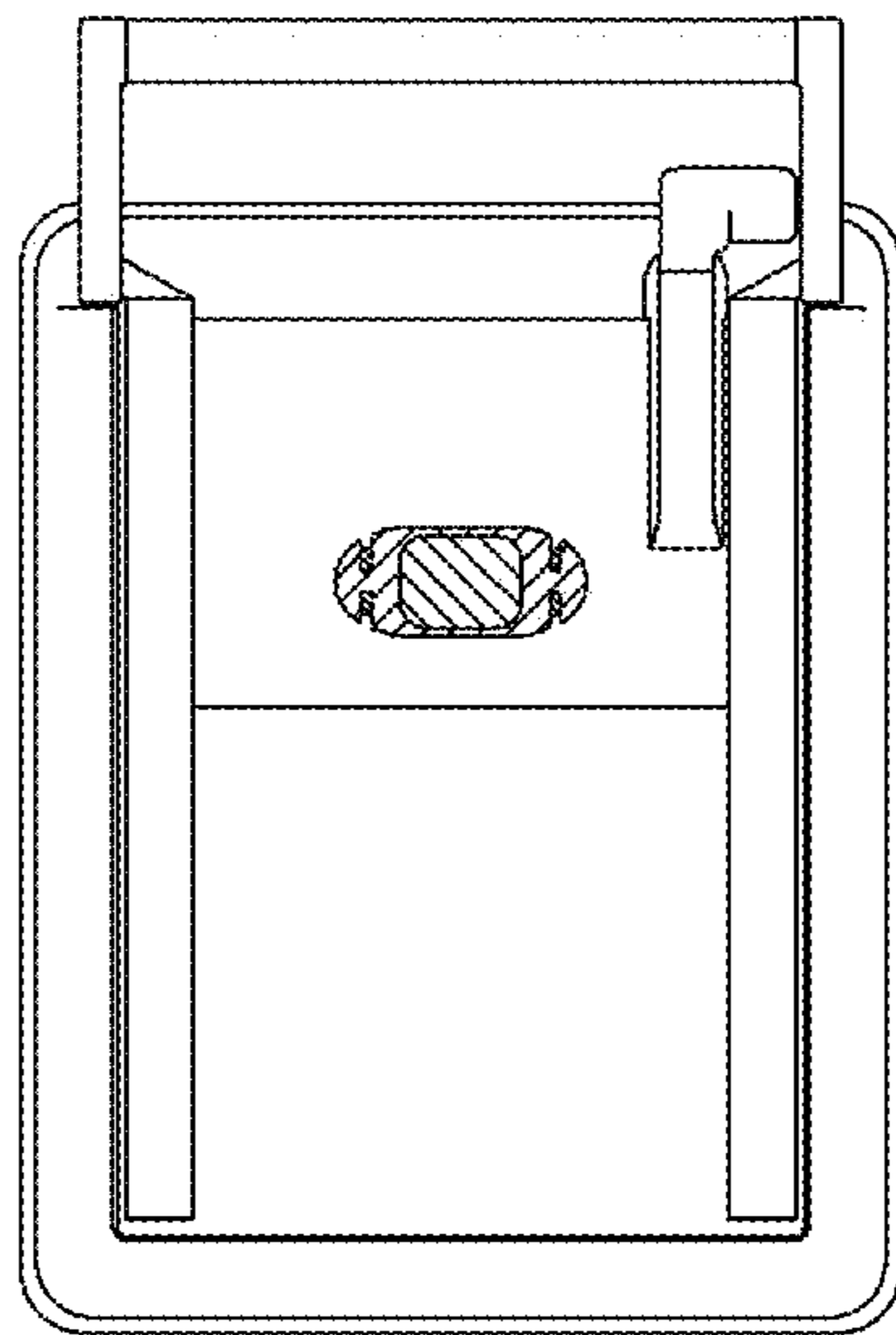


FIG. 10

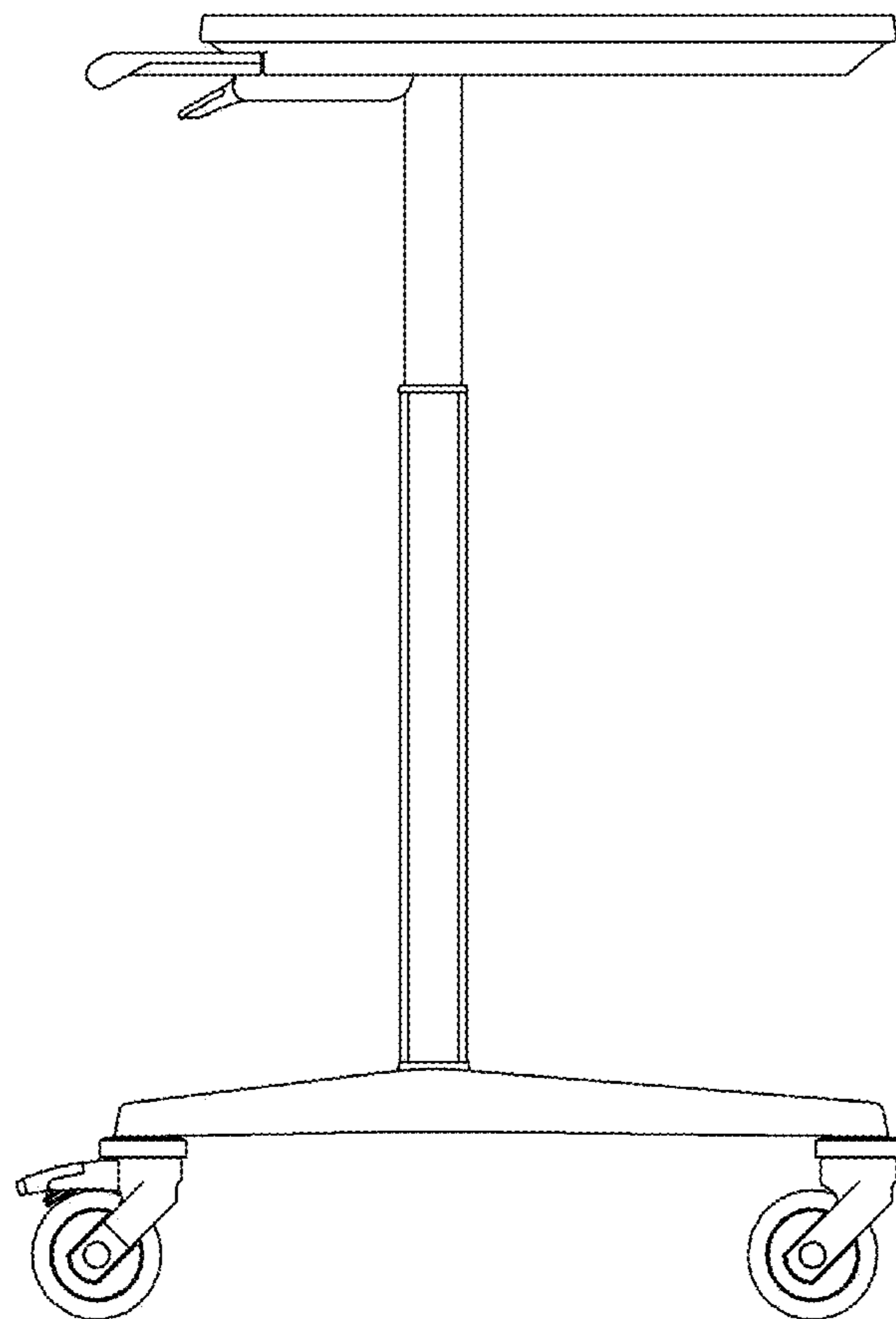


FIG. 11

