

US00D669650S

(12) **United States Design Patent**
Ellis

(10) **Patent No.:** **US D669,650 S**

(45) **Date of Patent:** **** Oct. 23, 2012**

(54) **CONTAINER**

(75) **Inventor:** **Stephen M. Ellis, Barrie (CA)**

(73) **Assignee:** **All Source Security Container Manufacturing Corp. (CA)**

(**) **Term:** **14 Years**

(21) **Appl. No.:** **29/398,075**

(22) **Filed:** **Jul. 26, 2011**

(51) **LOC (9) Cl.** **09-09**

(52) **U.S. Cl.** **D34/1**

(58) **Field of Classification Search** D34/1,
D34/4, 5, 6, 7, 8, 9, 10, 11; 220/908, 908.1,
220/909, 911, 912, 913
See application file for complete search history.

(56) **References Cited**

U.S. PATENT DOCUMENTS

D311,982 S *	11/1990	Ladney	D34/7
D355,514 S *	2/1995	Breen	D34/1
D365,427 S *	12/1995	Brightbill et al.	D34/1
D387,530 S *	12/1997	Doxey	D34/1
D405,576 S *	2/1999	Rausch	D34/1
D459,046 S *	6/2002	Laib	D34/1
D520,702 S *	5/2006	Miller	D34/1

D521,203 S *	5/2006	Sofy et al.	D34/1
D566,365 S *	4/2008	Wentz et al.	D34/1
D578,265 S *	10/2008	Presnell	D34/1
D600,741 S *	9/2009	Sued et al.	D18/34.9
D611,216 S *	3/2010	Yang et al.	D34/7
D625,067 S *	10/2010	Shannon	D34/1

* cited by examiner

Primary Examiner — Cynthia E Ramirez

(74) *Attorney, Agent, or Firm* — Barnes & Thornburg LLP

(57) **CLAIM**

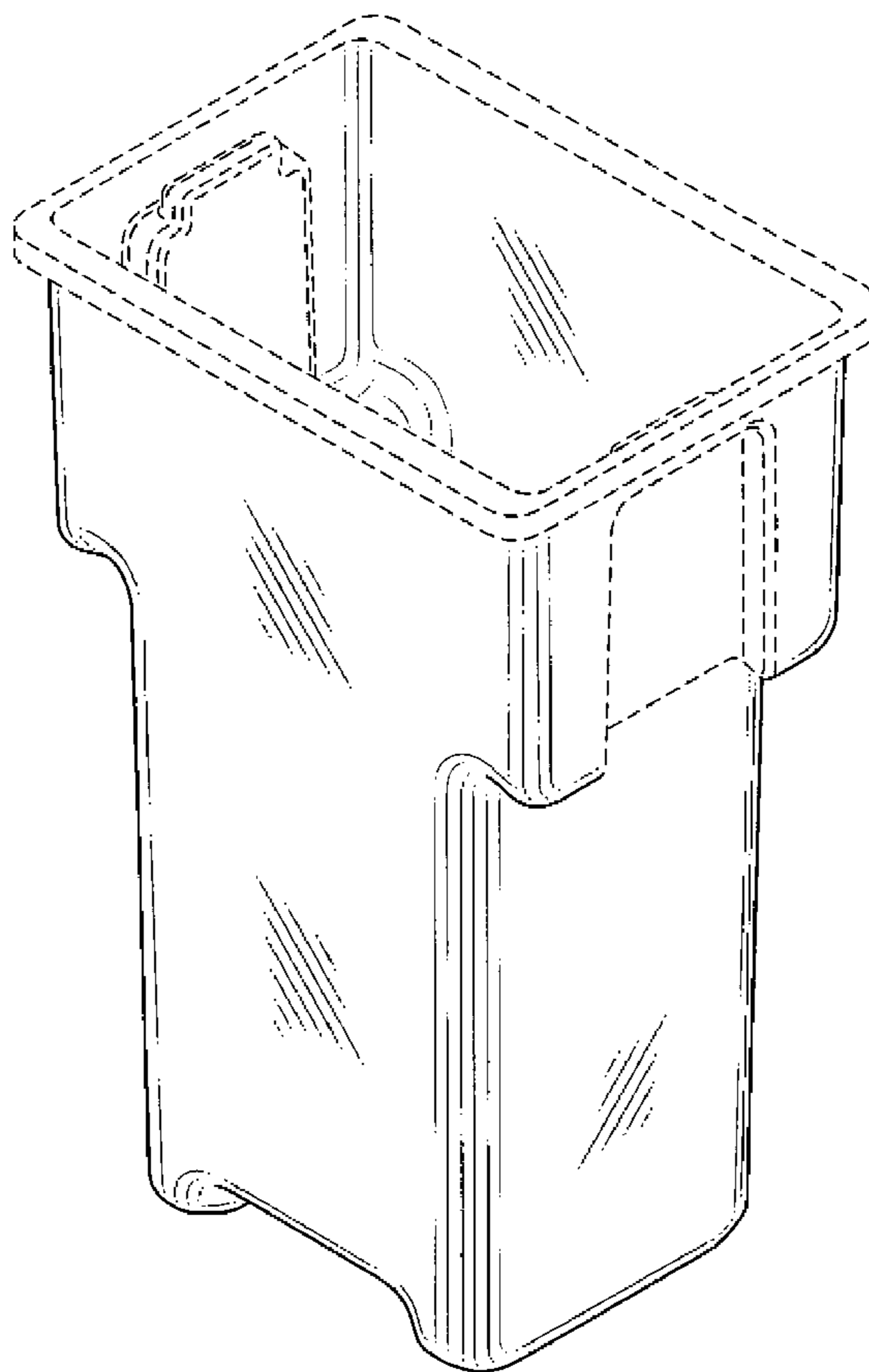
The ornamental design for a container, as shown and described.

DESCRIPTION

FIG. 1 is a perspective view of a container of the design;
FIG. 2 is a front view thereof;
FIG. 3 is a rear view thereof;
FIG. 4 is a left side view thereof
FIG. 5 is a right side view thereof;
FIG. 6 is a top view thereof; and,
FIG. 7 is a bottom view thereof.

The broken lines shown in the drawings are included for the purpose of illustrating elements of the container and form no part of the claimed design.

1 Claim, 5 Drawing Sheets



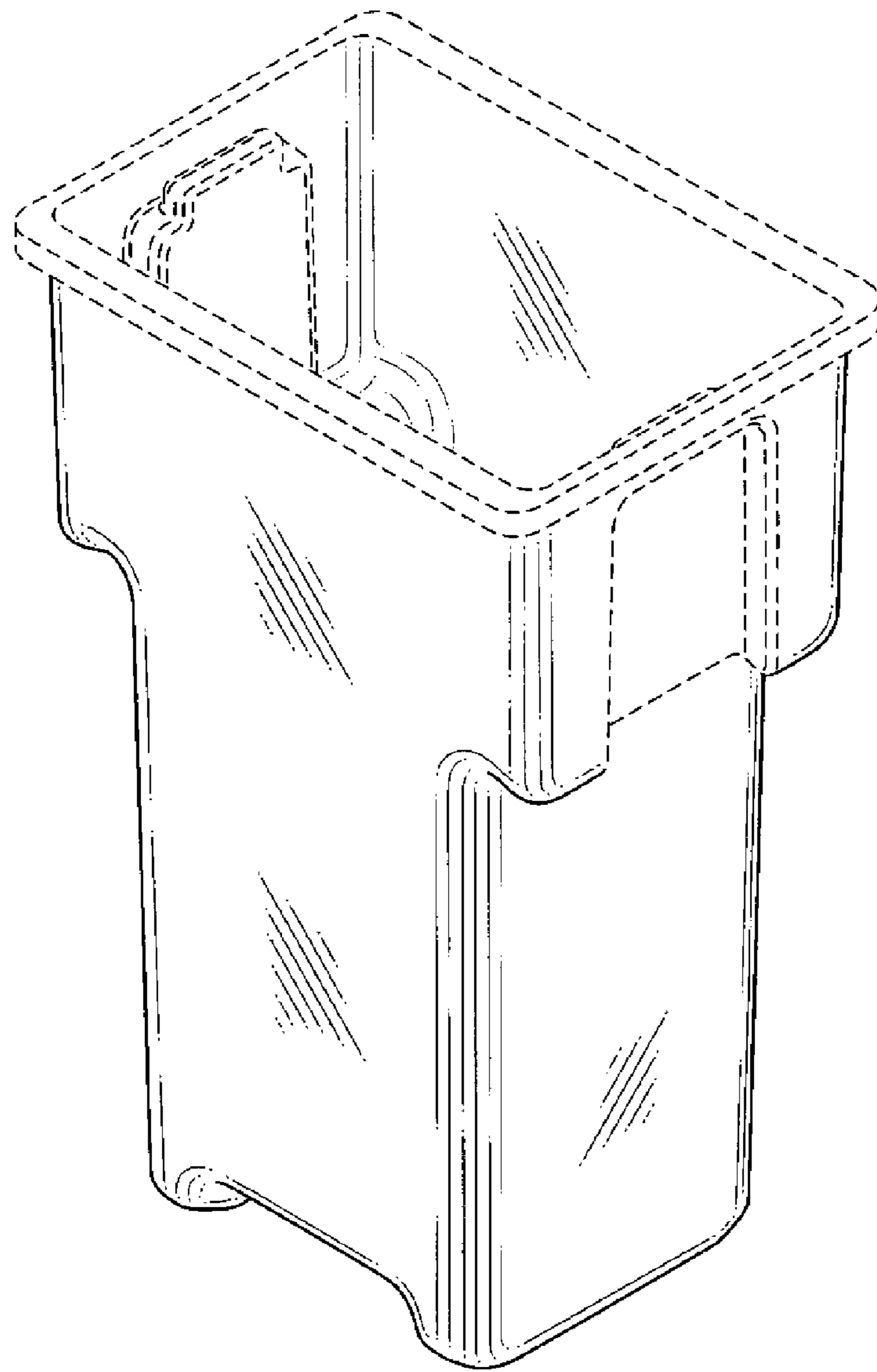


FIG. 1

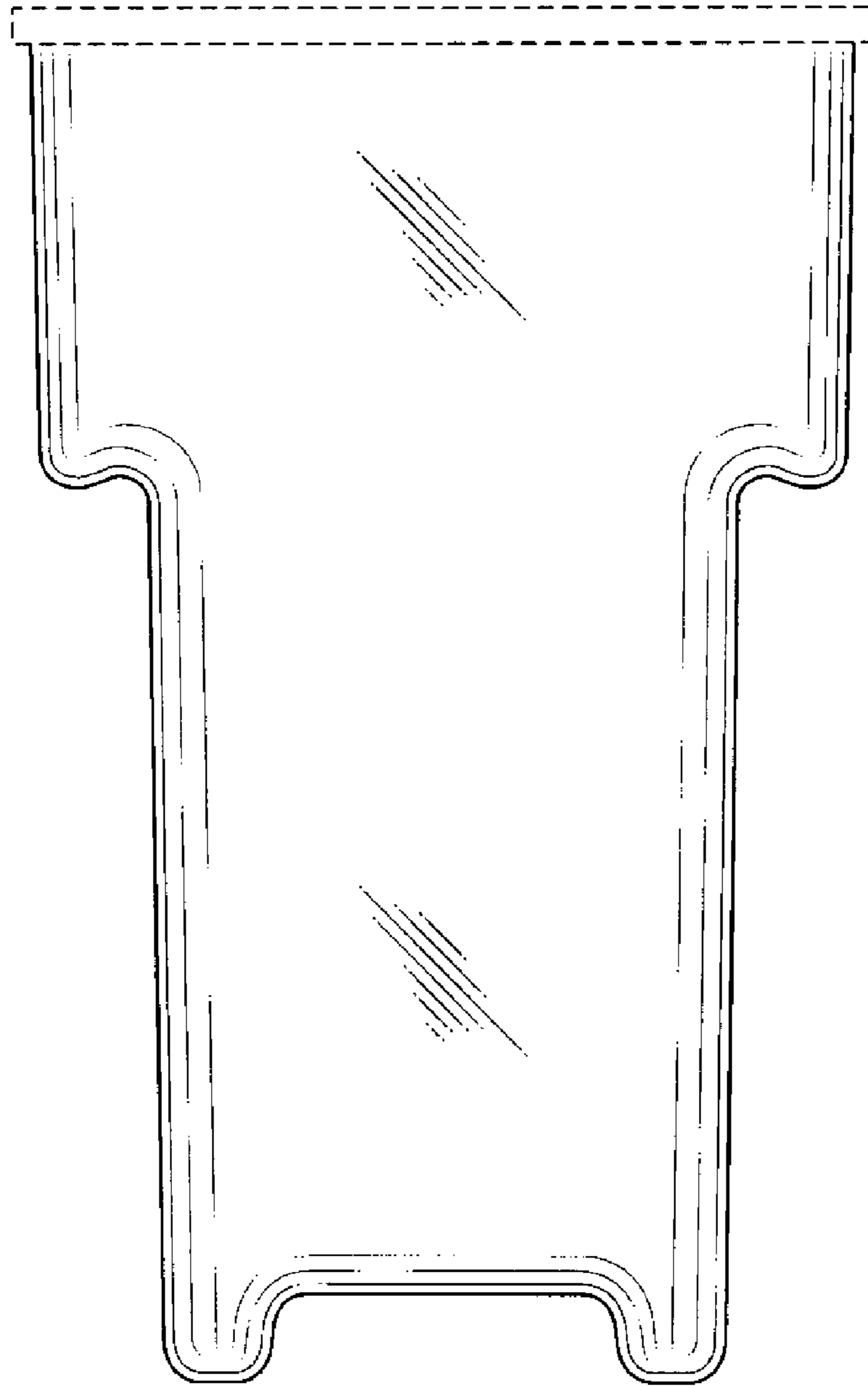


FIG. 2

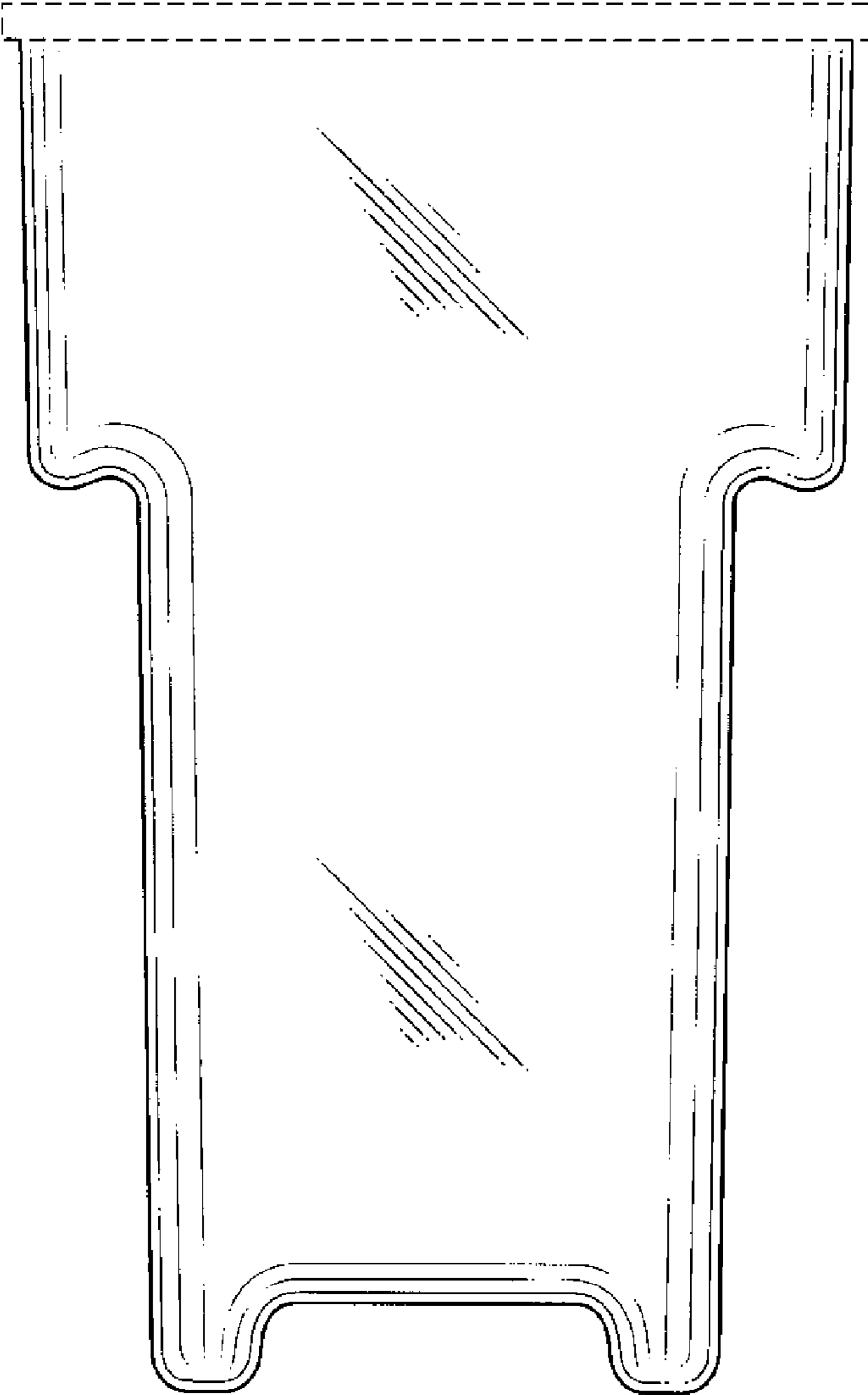


FIG. 3

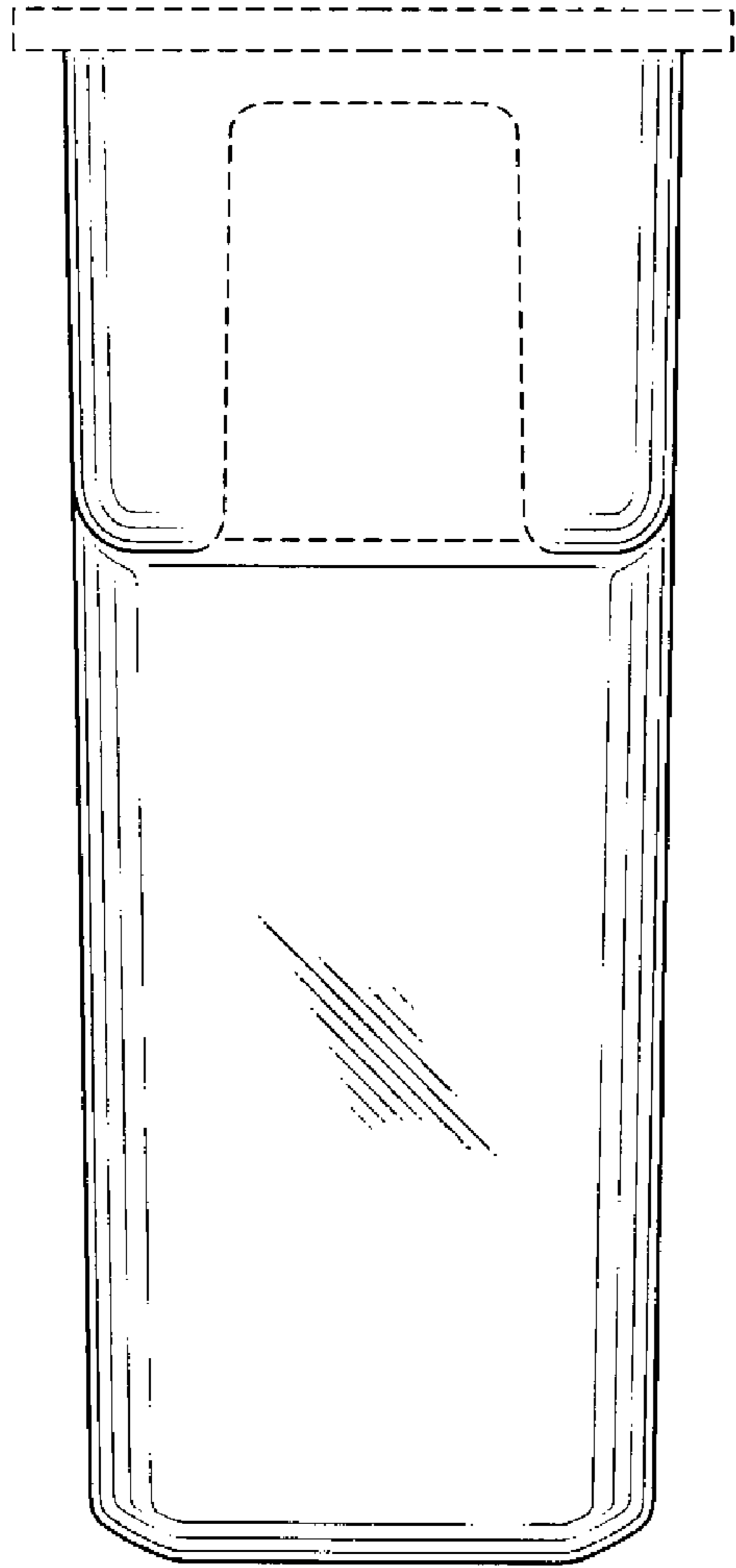


FIG. 4

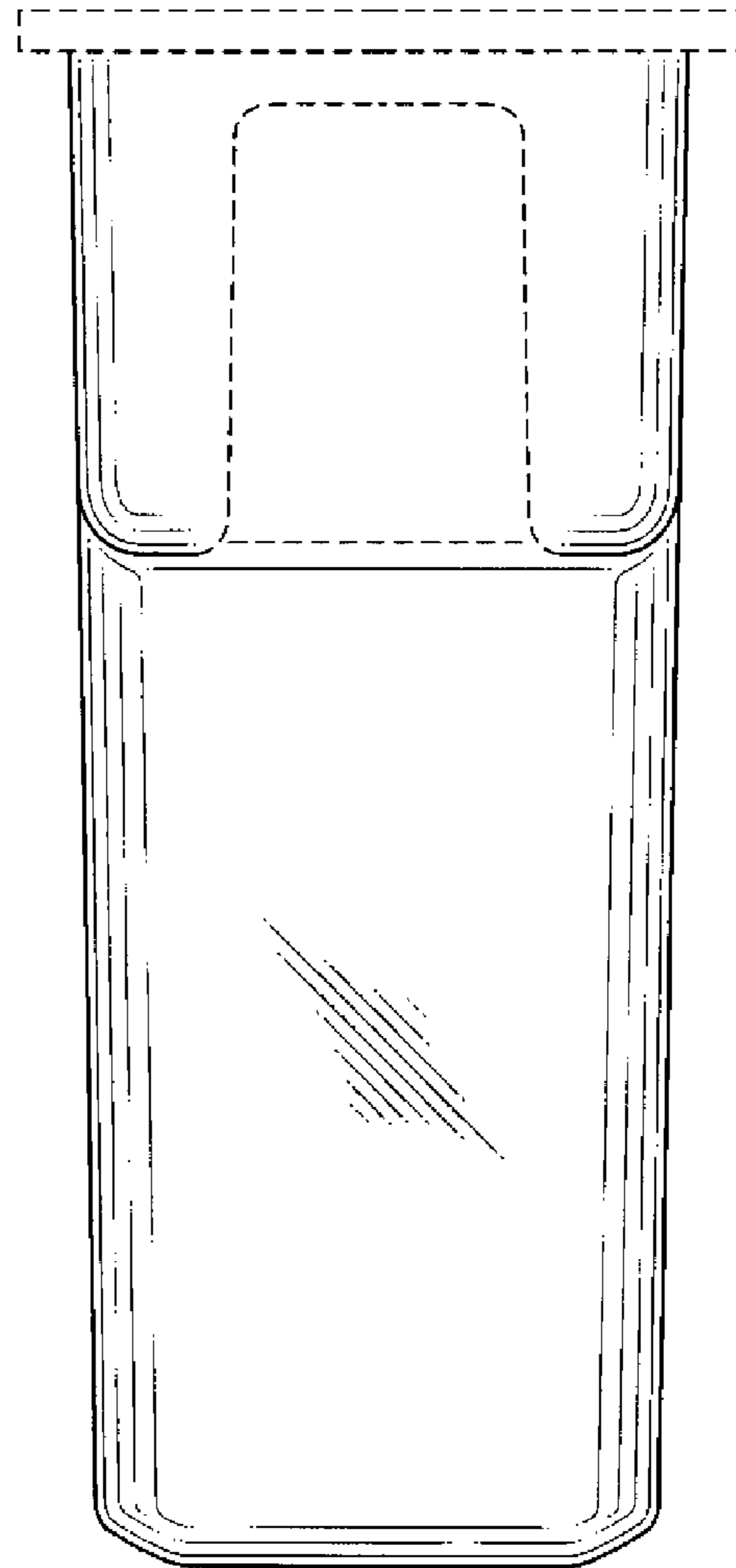


FIG. 5

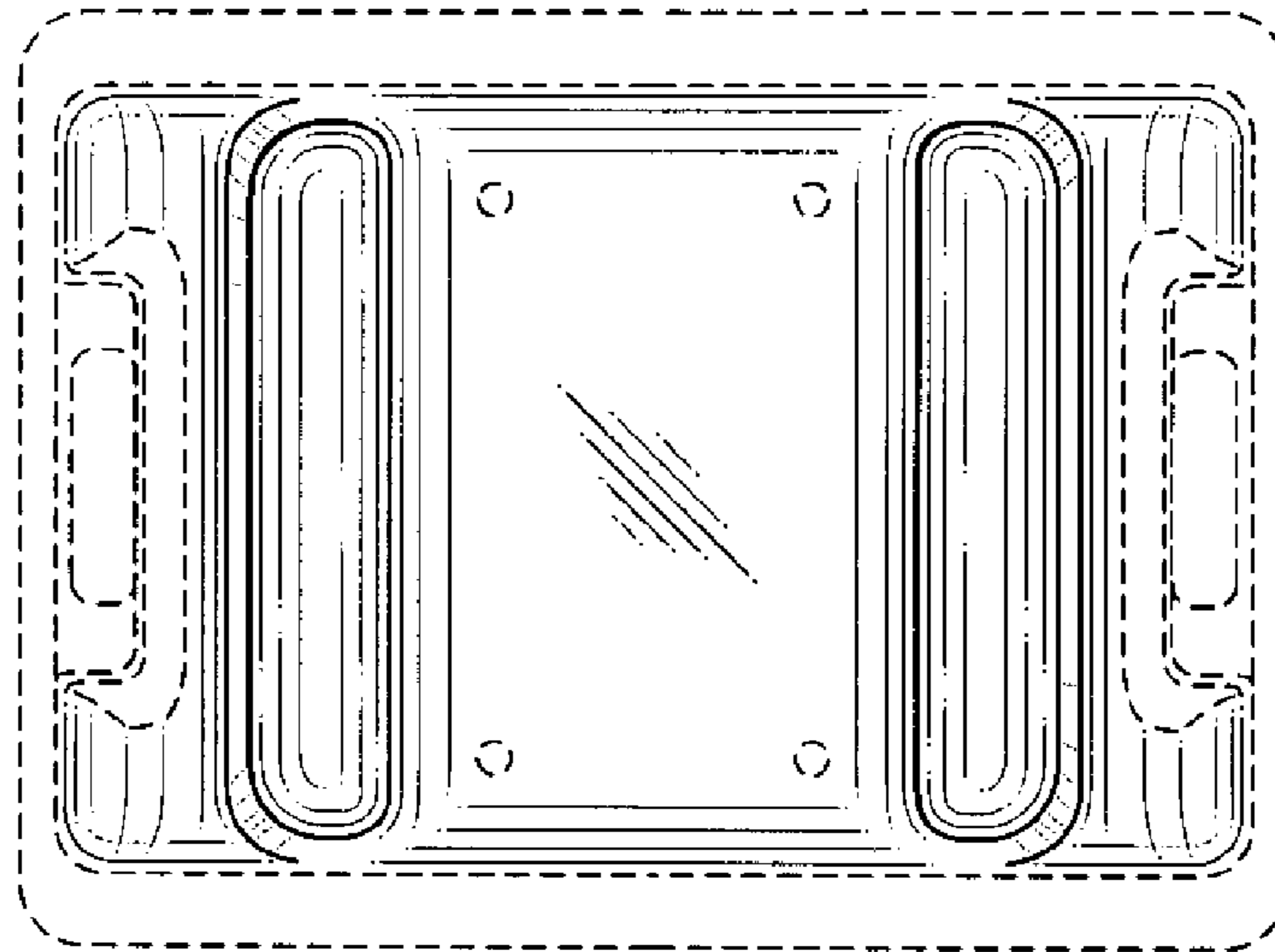


FIG. 6

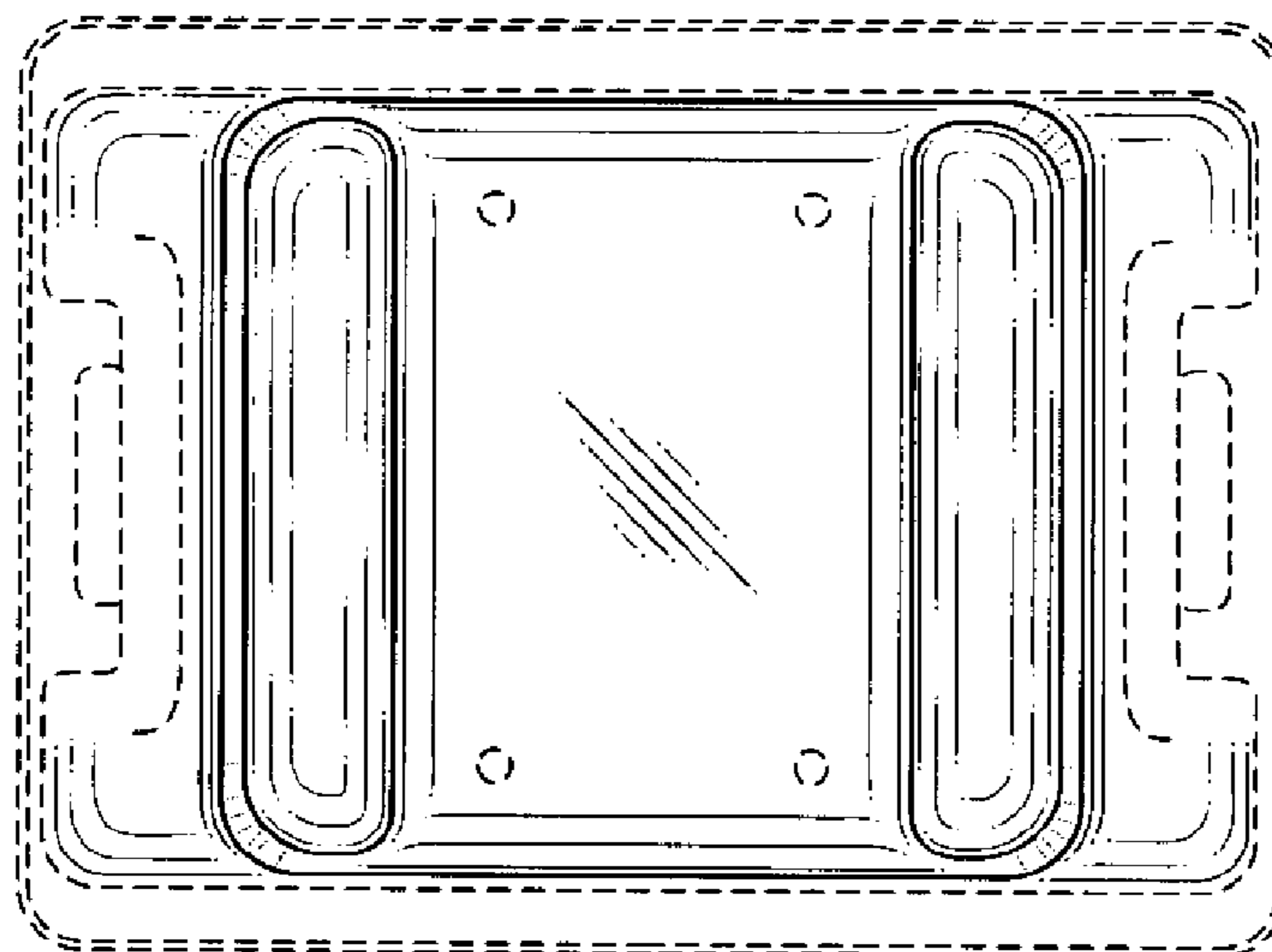


FIG. 7