

US00D669648S

(12) **United States Design Patent**
Bilger et al.

(10) **Patent No.:** **US D669,648 S**
(45) **Date of Patent:** **** Oct. 23, 2012**

(54) **PAD**
(75) Inventors: **Dan Bilger**, Amherst, NH (US); **Meg McCusker**, Somerville, MA (US); **Alexander J. Calvino**, Cranston, RI (US)
(73) Assignee: **Euro-Pro Operating LLC**, Newton, MA (US)

(**) Term: **14 Years**
(21) Appl. No.: **29/399,962**

(22) Filed: **Aug. 22, 2011**
(51) **LOC (9) Cl.** **04-01**
(52) **U.S. Cl.** **D32/40**
(58) **Field of Classification Search** D32/40-45,
D32/50; 15/208, 209.1, 228, 244.1-244.4;
401/201

See application file for complete search history.

(56) **References Cited**

U.S. PATENT DOCUMENTS

3,545,876 A * 12/1970 Leland 401/201
D345,791 S 4/1994 Middleman

6,165,160 A 12/2000 Suzuki et al.
6,202,250 B1 * 3/2001 Kenmochi et al. 15/231
6,316,687 B1 11/2001 Davis et al.
D462,150 S * 8/2002 Rader et al. D32/40
D503,253 S 3/2005 Rader et al.
D554,815 S * 11/2007 Harper et al. D32/40
7,404,227 B2 * 7/2008 Otsuka et al. 15/228
7,553,783 B2 * 6/2009 Tanaka 442/327
D622,921 S * 8/2010 Rosenzweig et al. D32/40

* cited by examiner

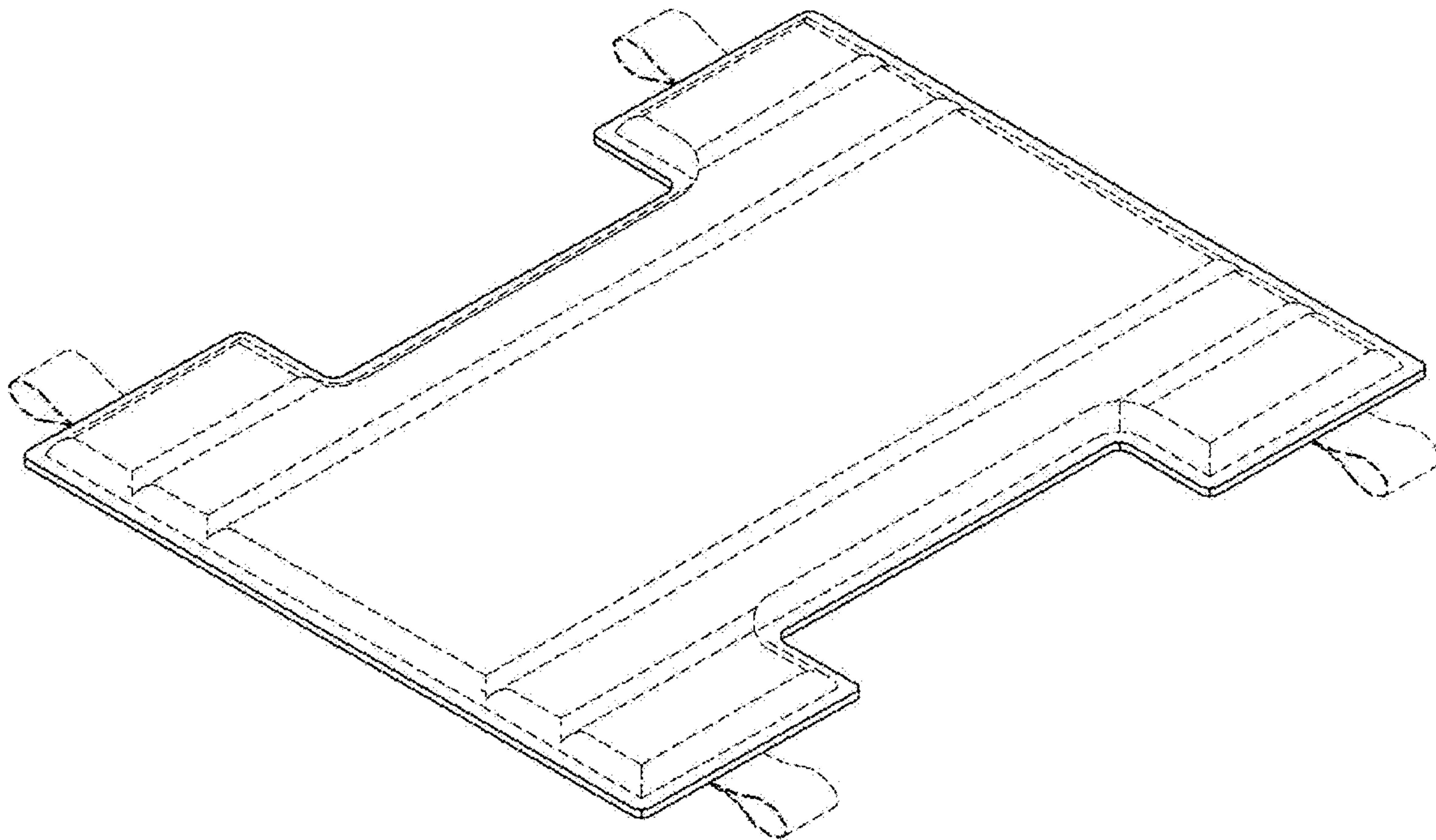
Primary Examiner — Robin V Webster
(74) *Attorney, Agent, or Firm* — BainwoodHuang

(57) **CLAIM**
The ornamental design of a pad, as shown and described.

DESCRIPTION

FIG. 1 is a perspective view of a pad in accordance with the present design;
FIG. 2 is a front elevational view thereof;
FIG. 3 is a rear elevational view thereof;
FIG. 4 is a left side elevational view thereof;
FIG. 5 is a right side elevational view thereof;
FIG. 6 is a top plan view thereof; and,
FIG. 7 is a bottom plan view thereof.
The broken lines in the drawings are for illustrative purposes only and form no part of the claimed design.

1 Claim, 3 Drawing Sheets



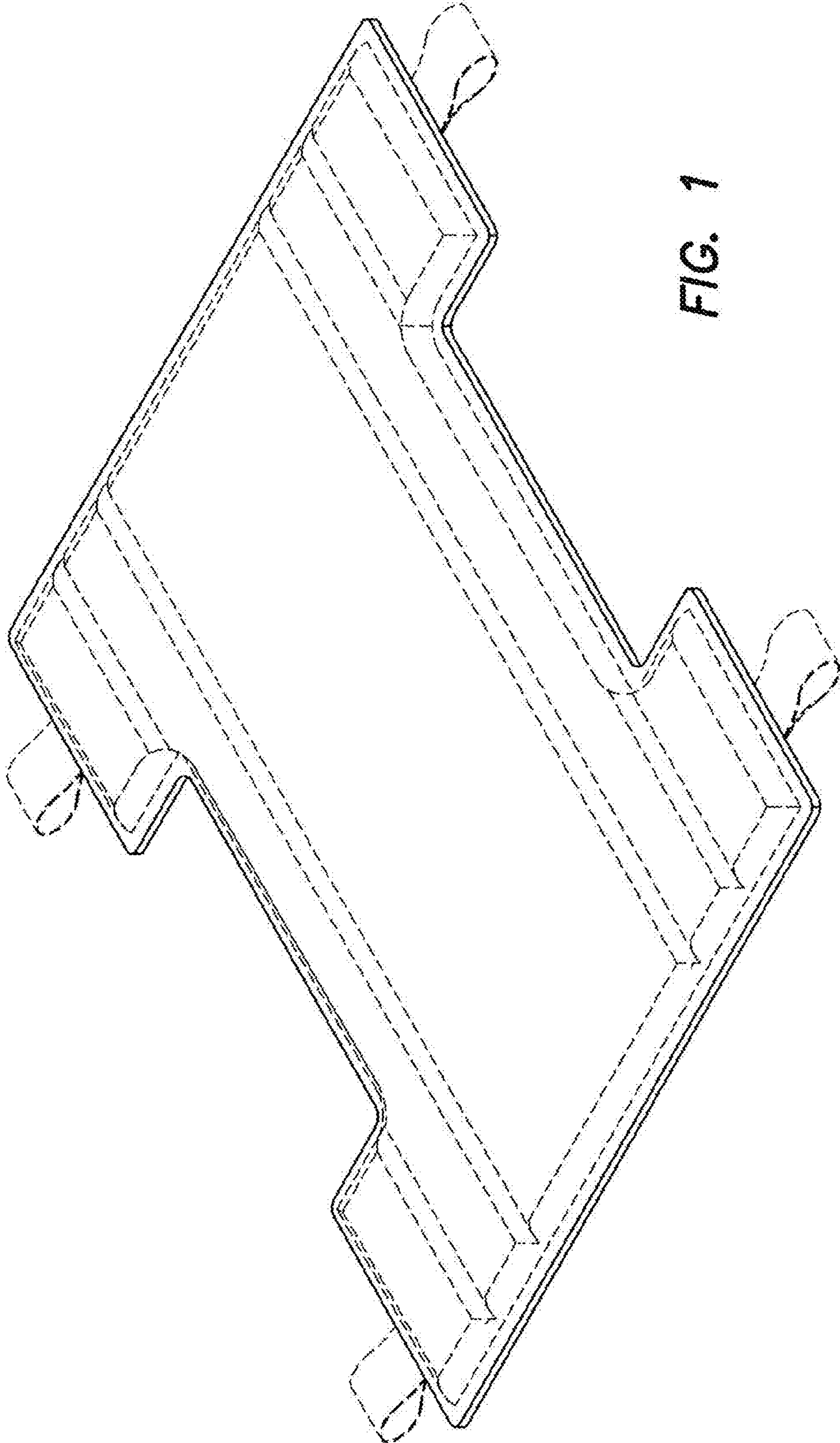


FIG. 1

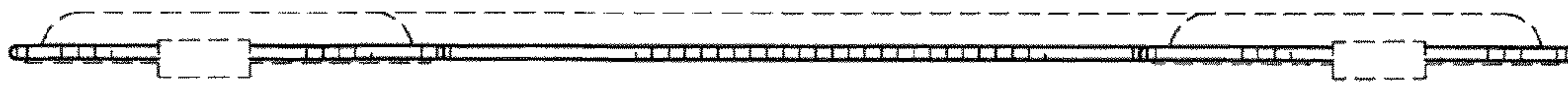


FIG. 2

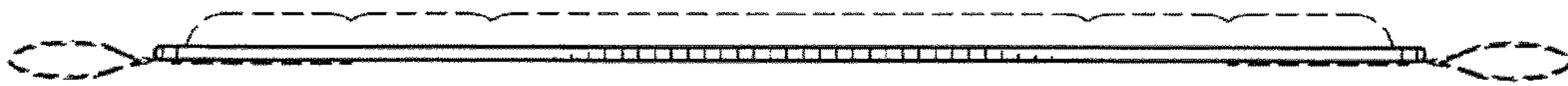


FIG. 4

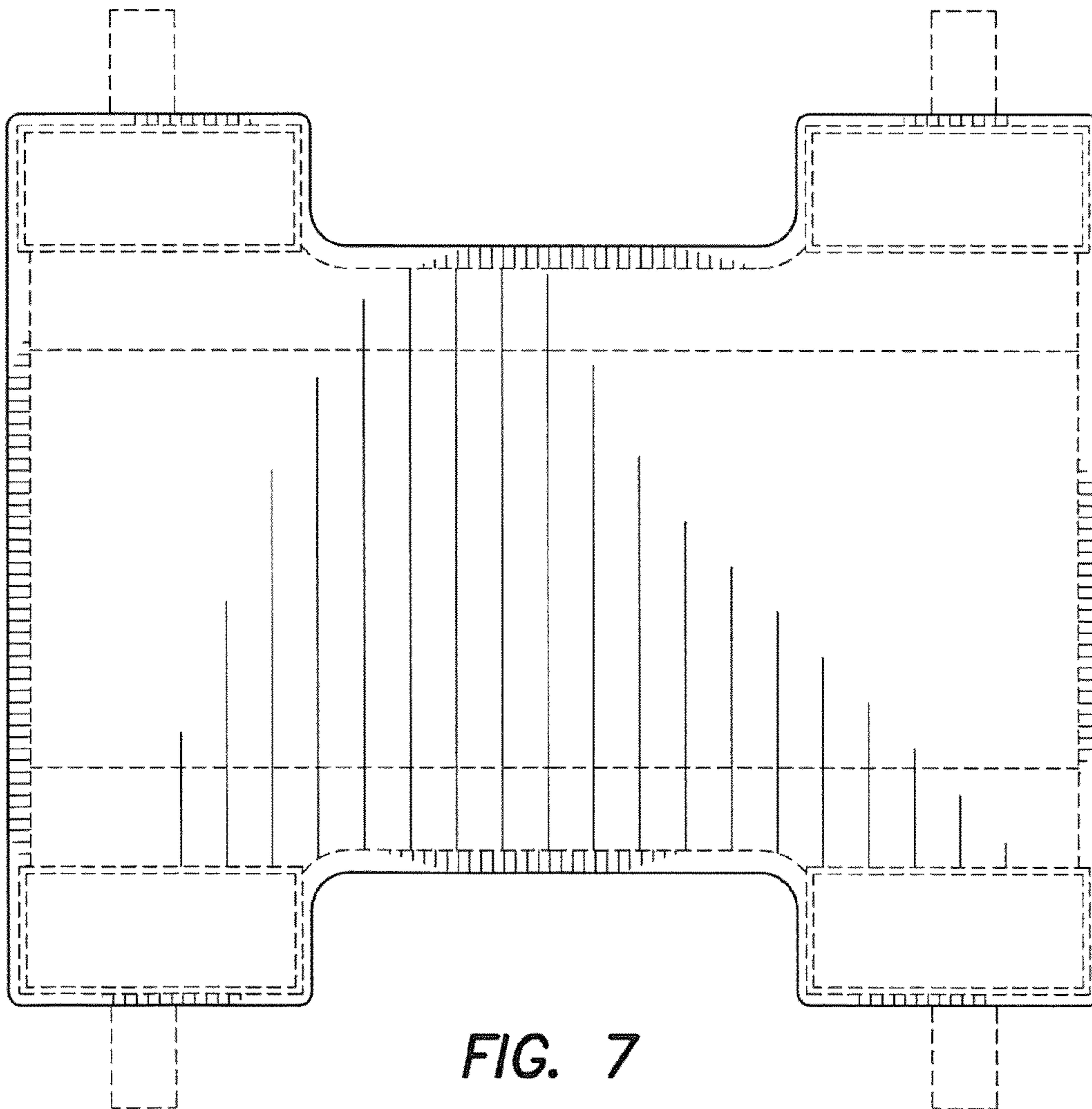


FIG. 7

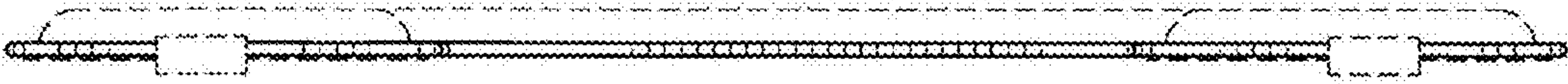


FIG. 3

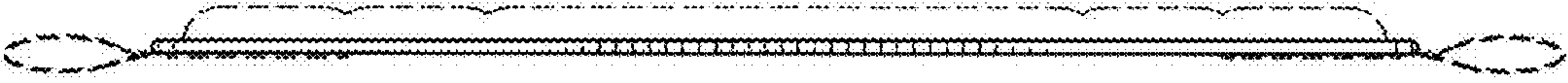


FIG. 5

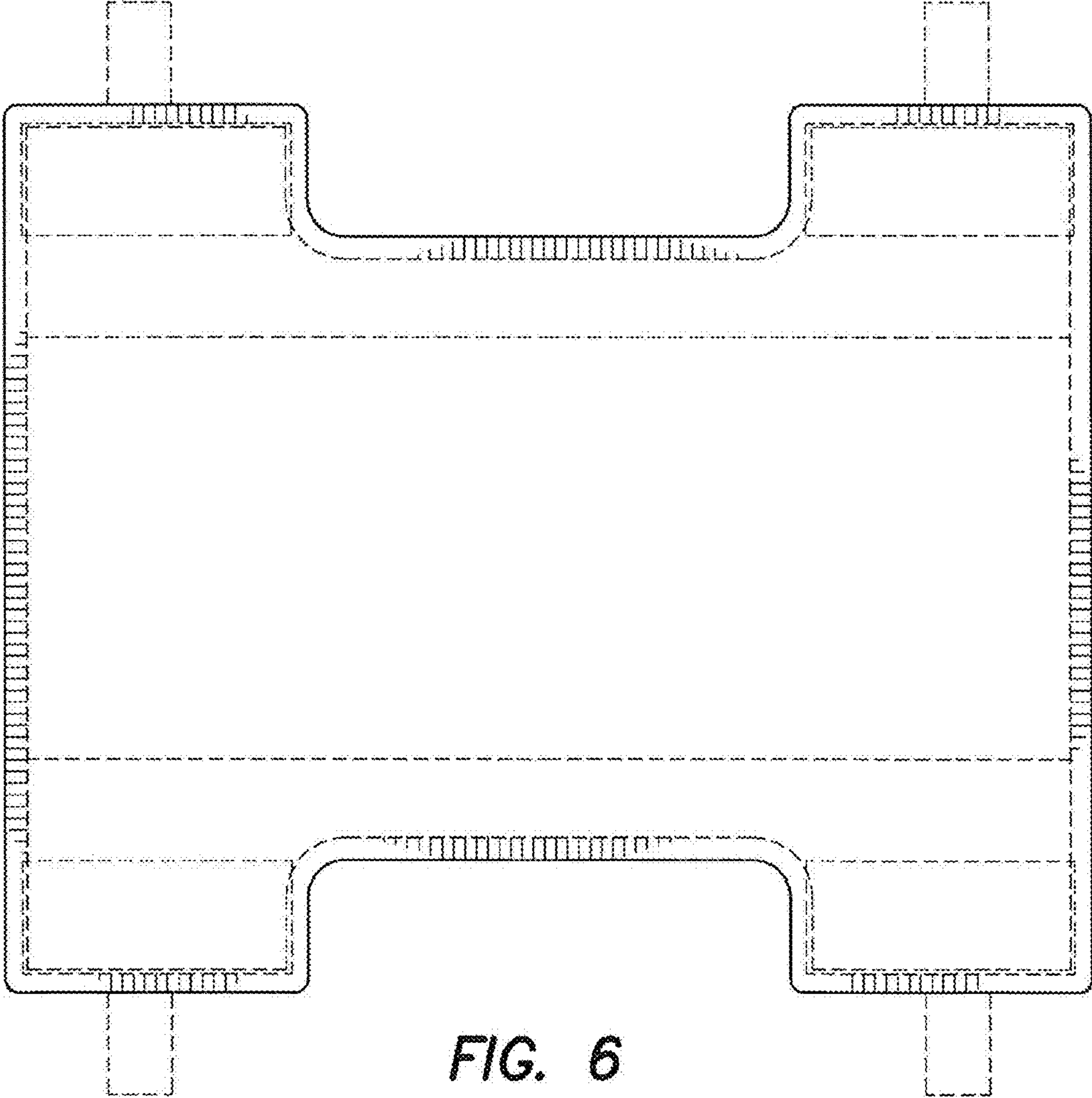


FIG. 6