



US00D669646S

(12) **United States Design Patent**  
**Theising et al.**

(10) **Patent No.:** **US D669,646 S**

(45) **Date of Patent:** **\*\* Oct. 23, 2012**

(54) **COMBINED WET/DRY VACUUM CLEANER**

(75) Inventors: **John L. Theising**, St. Peters, MO (US);  
**Shane Glasgow**, St. Ann, MO (US);  
**Douglas K. Ritterling**, Chesterfield, MO (US)

(73) Assignee: **Emerson Electric Co.**, St. Louis, MO (US)

(\*\*) Term: **14 Years**

(21) Appl. No.: **29/391,249**

(22) Filed: **May 5, 2011**

(51) **LOC (9) Cl.** ..... **15-05**

(52) **U.S. Cl.** ..... **D32/23**

(58) **Field of Classification Search** ..... D32/17-18,  
D32/21, 23-24, 31-34; 15/327.1-327.7,  
15/320-321, 323, 353, 344, 329, 347, 246.2,  
15/246.4, 301, 310, 313, 414, 328, 415.1-422.1;  
210/167.16, 167.17; 285/7; 55/DIG. 3, 337,  
55/345, 459.1, 429

See application file for complete search history.

(56) **References Cited**

U.S. PATENT DOCUMENTS

1,572,913	A	2/1926	Finnell	
1,923,689	A	8/1933	Rosenberg	
2,876,484	A	3/1959	Wells	
2,969,557	A	1/1961	Petersen	
3,063,082	A	11/1962	Rosenberg	
3,065,490	A	11/1962	Arones	
4,222,145	A	9/1980	Lowder	
4,616,378	A	10/1986	Berfield et al.	
4,809,396	A	3/1989	Houser	
D333,195	S *	2/1993	Oberdorfer-Bogel	D32/23
D333,890	S *	3/1993	Oberdorfer-Bogel	D32/23
D334,258	S *	3/1993	Oberdorfer-Bogel	D32/23
5,354,347	A	10/1994	McCoy et al.	
5,377,382	A	1/1995	Bores et al.	
D372,567	S *	8/1996	Moine et al.	D32/23
5,846,334	A	12/1998	Hoce	
D429,043	S *	8/2000	Fish	D32/31

D446,892	S *	8/2001	Griffin	D32/23
D470,279	S *	2/2003	Griffin et al.	D32/23
D470,281	S *	2/2003	Griffin et al.	D32/23
D479,023	S *	8/2003	Holsten et al.	D32/23
D479,371	S *	9/2003	Griffin et al.	D32/23
D492,824	S *	7/2004	Tomasiak et al.	D32/23
D506,042	S *	6/2005	Griffin et al.	D32/21
7,185,389	B2	3/2007	Thomason et al.	
D591,467	S *	4/2009	Griffin et al.	D32/23
7,533,435	B2	5/2009	Pedlar et al.	
D599,968	S *	9/2009	Crevling et al.	D32/23
D631,216	S *	1/2011	Crevling et al.	D32/31
D633,668	S *	3/2011	Griffin et al.	D32/23
8,015,661	B2 *	9/2011	Baer et al.	15/353

OTHER PUBLICATIONS

Nobles Industries Typhoon Wet/Dry Vacuum Operator & Parts Manual, Models WD12107P, WD1292, Rev. 02 (Jul. 1996), obtained from Michigan Company Inc., <http://www.Michco.com>.

(Continued)

*Primary Examiner* — Ruth McInroy

(74) *Attorney, Agent, or Firm* — Sutton McAughan Deaver, PLLC

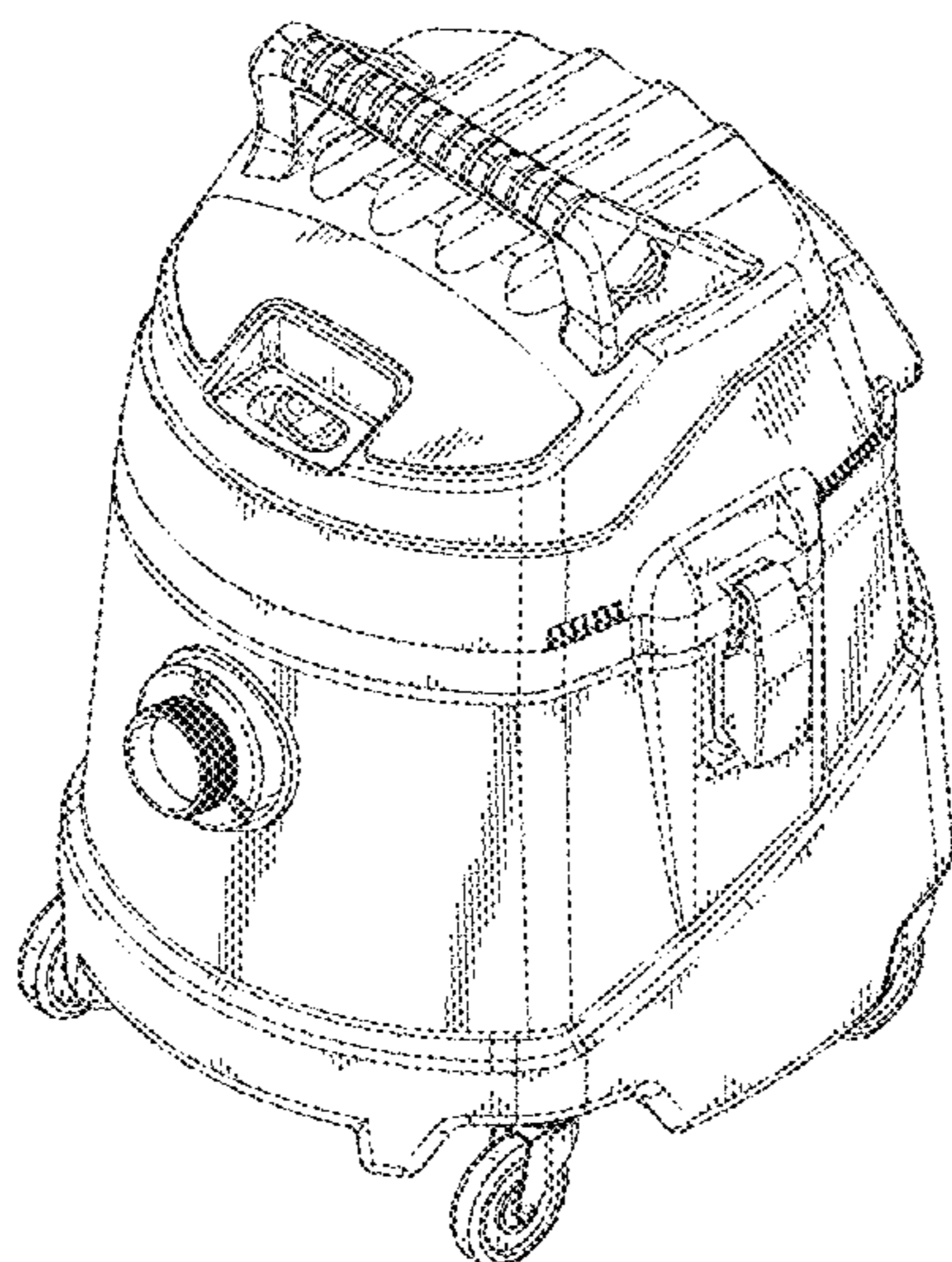
(57) **CLAIM**

The ornamental design for a combined wet/dry vacuum cleaner, as shown and described.

**DESCRIPTION**

FIG. 1 is an isometric front perspective view of a combined wet/dry vacuum cleaner;  
FIG. 2 is a front elevational view thereof;  
FIG. 3 is a rear elevational view thereof;  
FIG. 4 is a side thereof;  
FIG. 5 is a side view of the opposite side of FIG. 4;  
FIG. 6 is a top view thereof; and,  
FIG. 7 is a bottom view thereof.  
The broken lines in the Figures are for the purpose of illustrating exemplary environmental structure and form no part of the claimed design.

**1 Claim, 7 Drawing Sheets**



OTHER PUBLICATIONS

Nobles Industries Battery Typhoon Wet/Dry Vacuum Operator & Parts Manual, Model WD16BATT, Rev. 01 (Dec. 1994), obtained from Michigan Company Inc., <http://www.Michco.com>.

Nobles Industries Typhoon EV Extra Value Wet/Dry Vacuum Operator & Parts Manual, Model WD1592EV-120V, Rev. 03 (Oct. 1997), obtained from Michigan Company Inc., <http://www.Michco.com>.

Nobles Industries Typhoon Wet/Dry Vacuum Operator & Parts

Manual, Model WD16BATT, Rev. 03 (Jun. 1997), obtained from Michigan Company Inc., <http://www.Michco.com>.

Nilfisk Advance SW 700 B Parts List, Form No. 56042392(1)99-09, obtained from Michigan Company, Inc., <http://www.Michco.com>.

Nobles Industries, Inc., Model 680 and 680T Wet-n-Dry vacuum assembly starting with serial No. 4709; obtained from Michigan Company, Inc., <http://www.Michco.com>.

\* cited by examiner

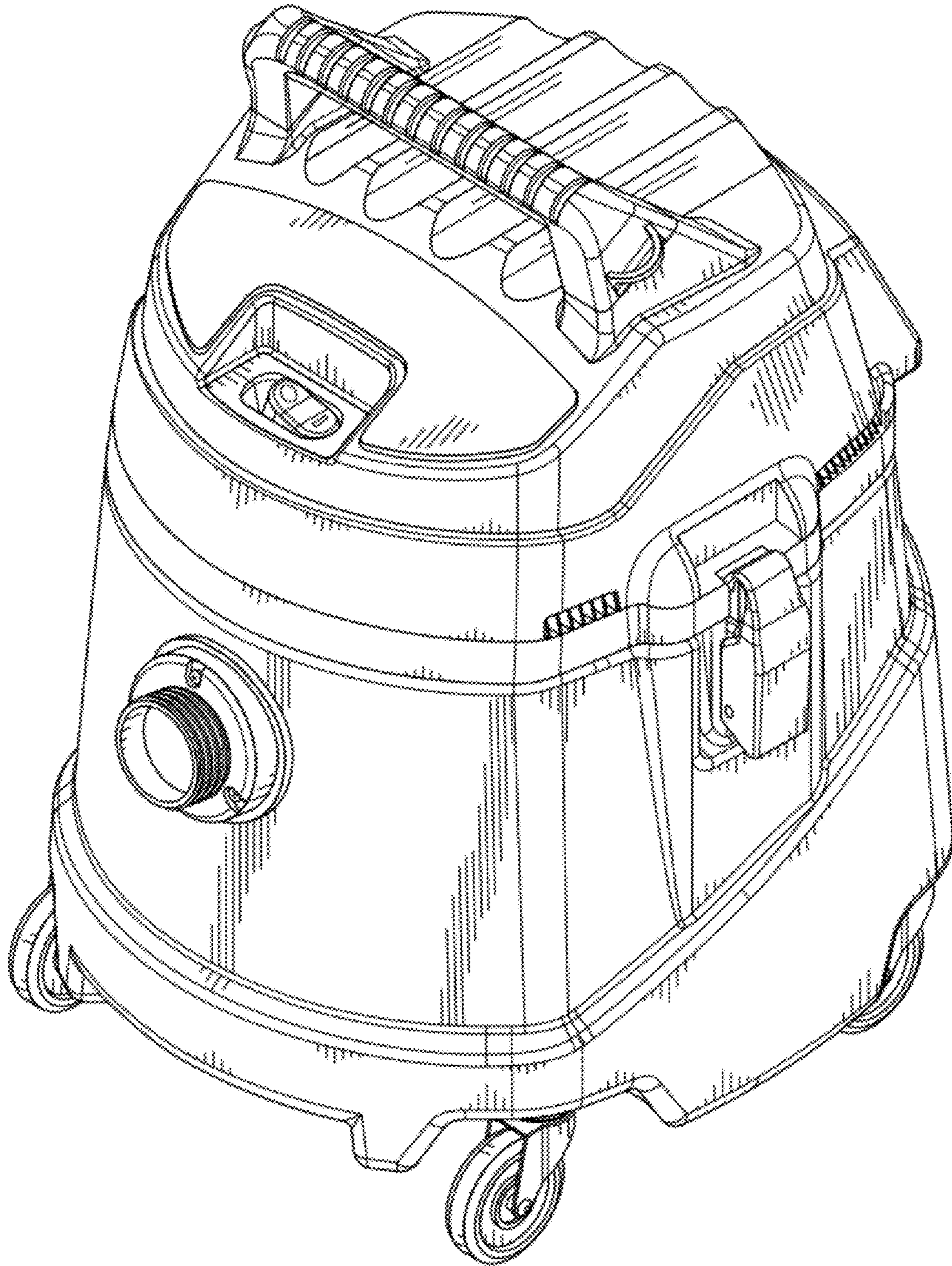


FIG. 1

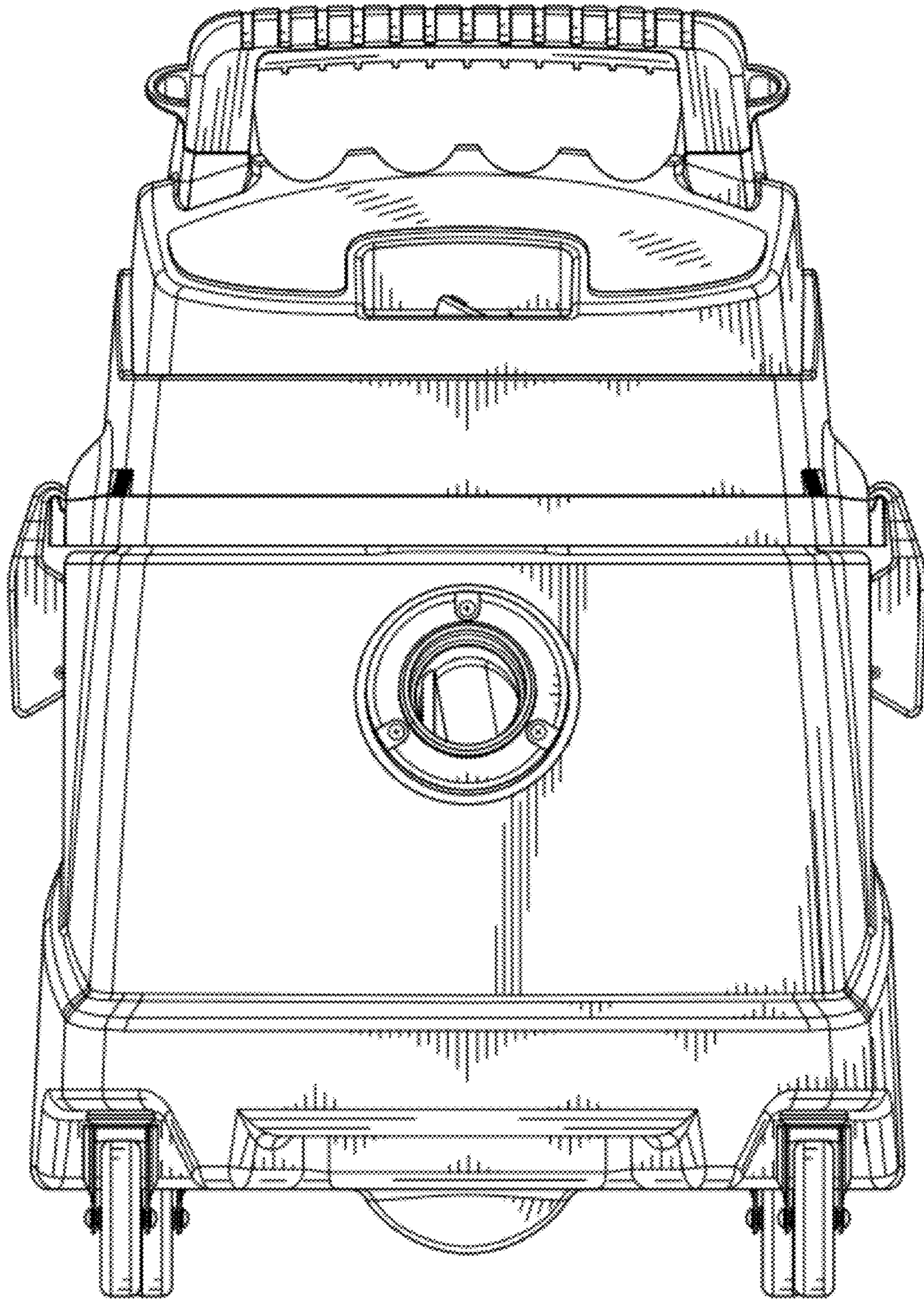


FIG. 2

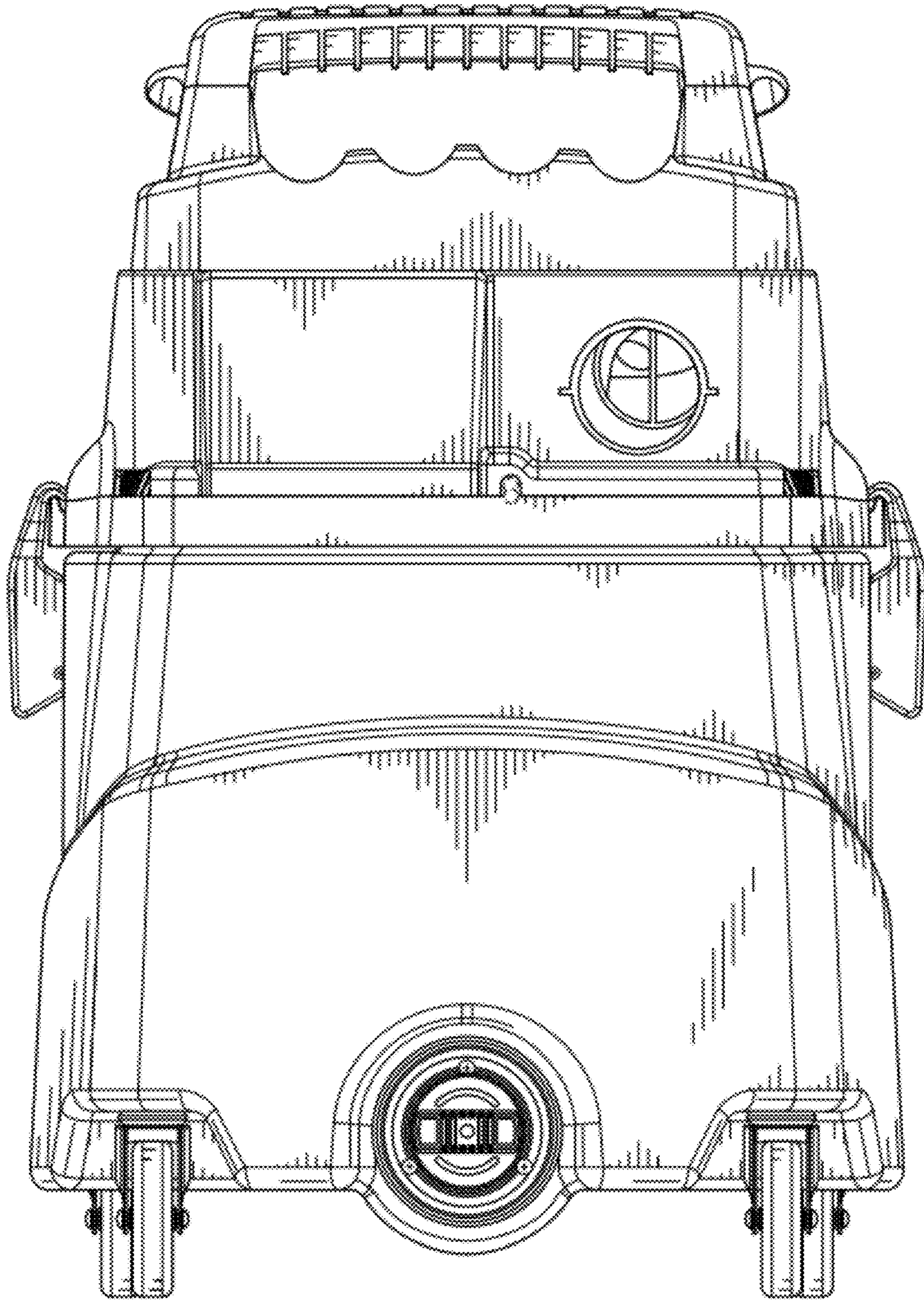


FIG. 3

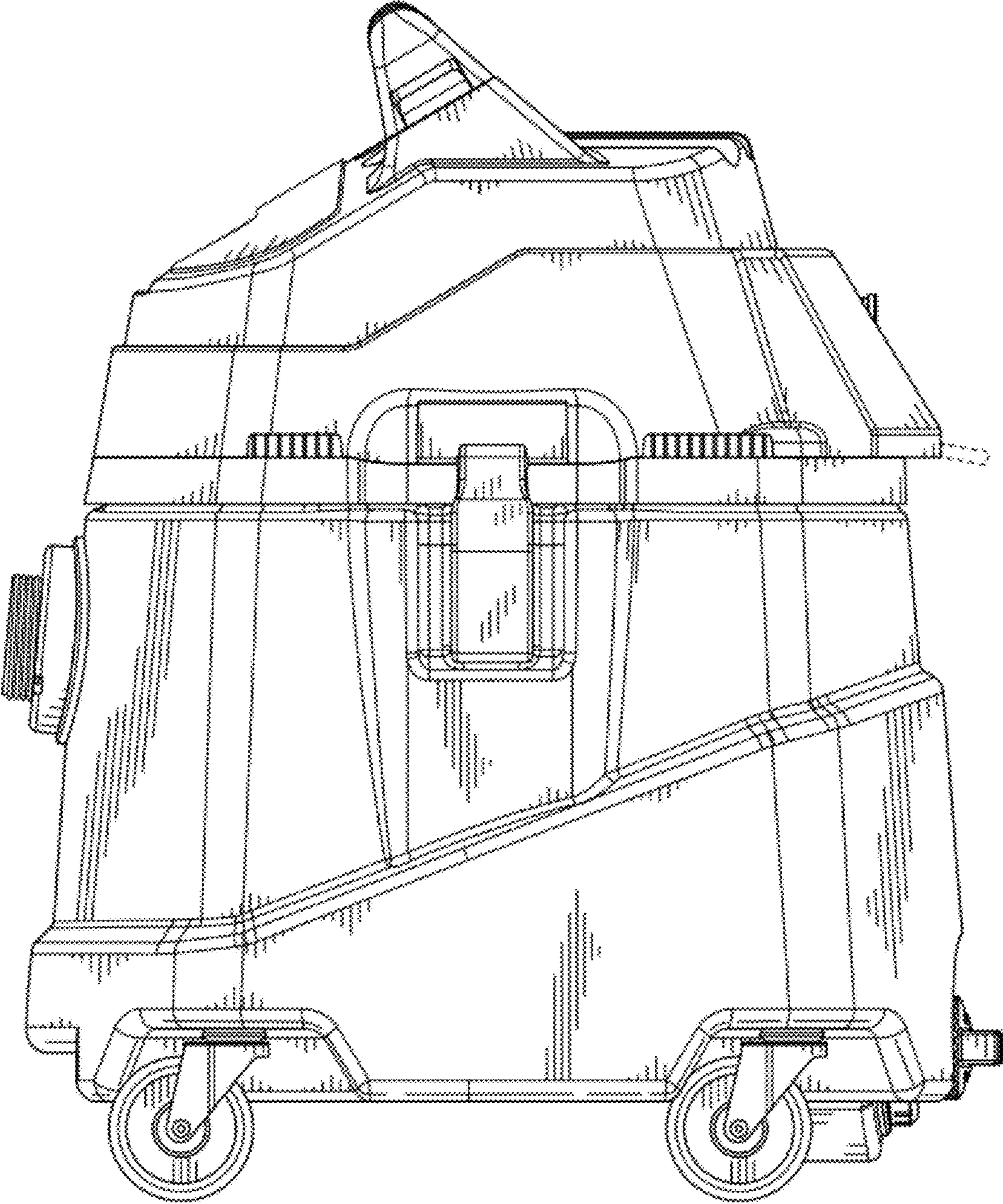


FIG. 4

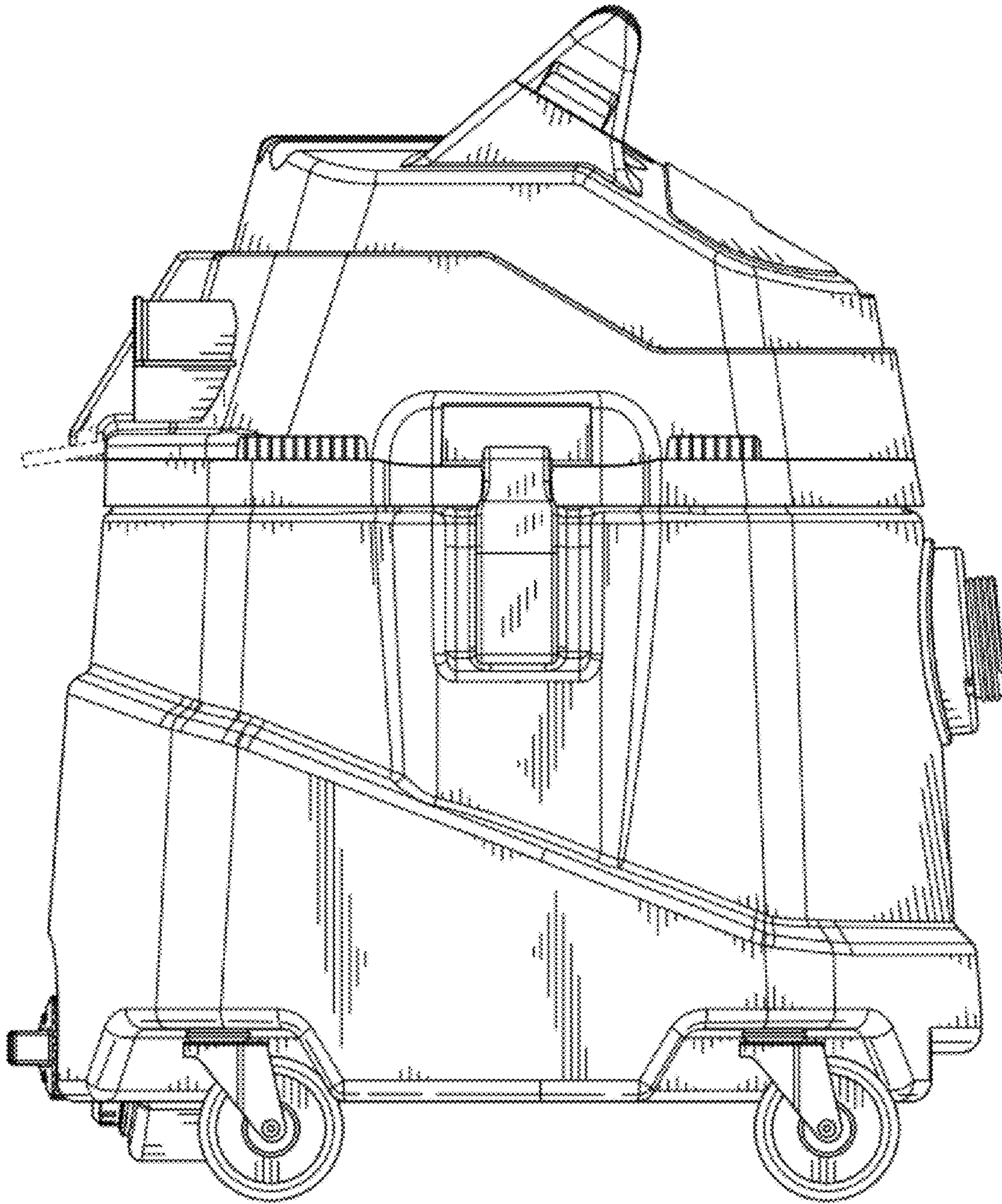


FIG. 5

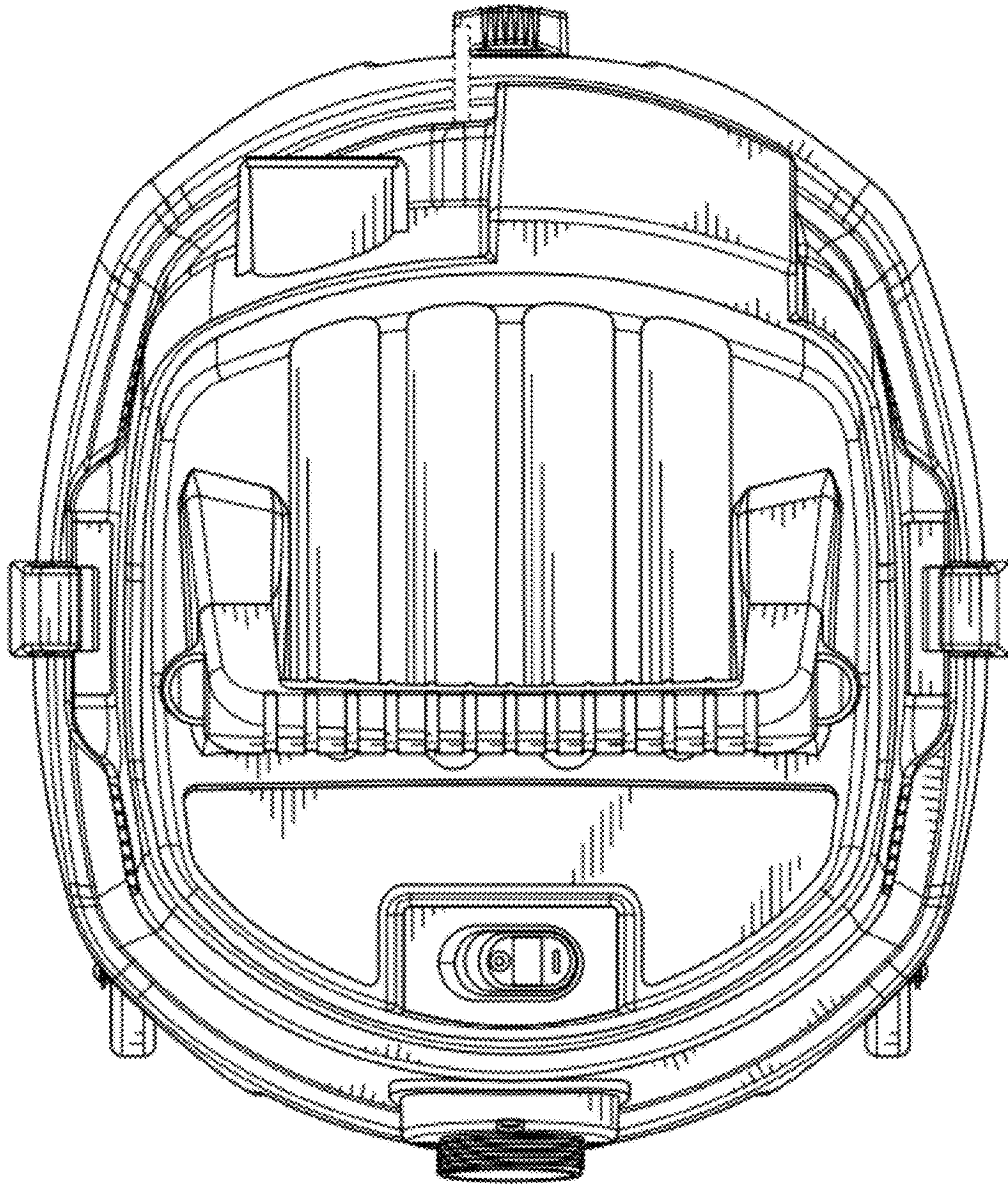


FIG. 6



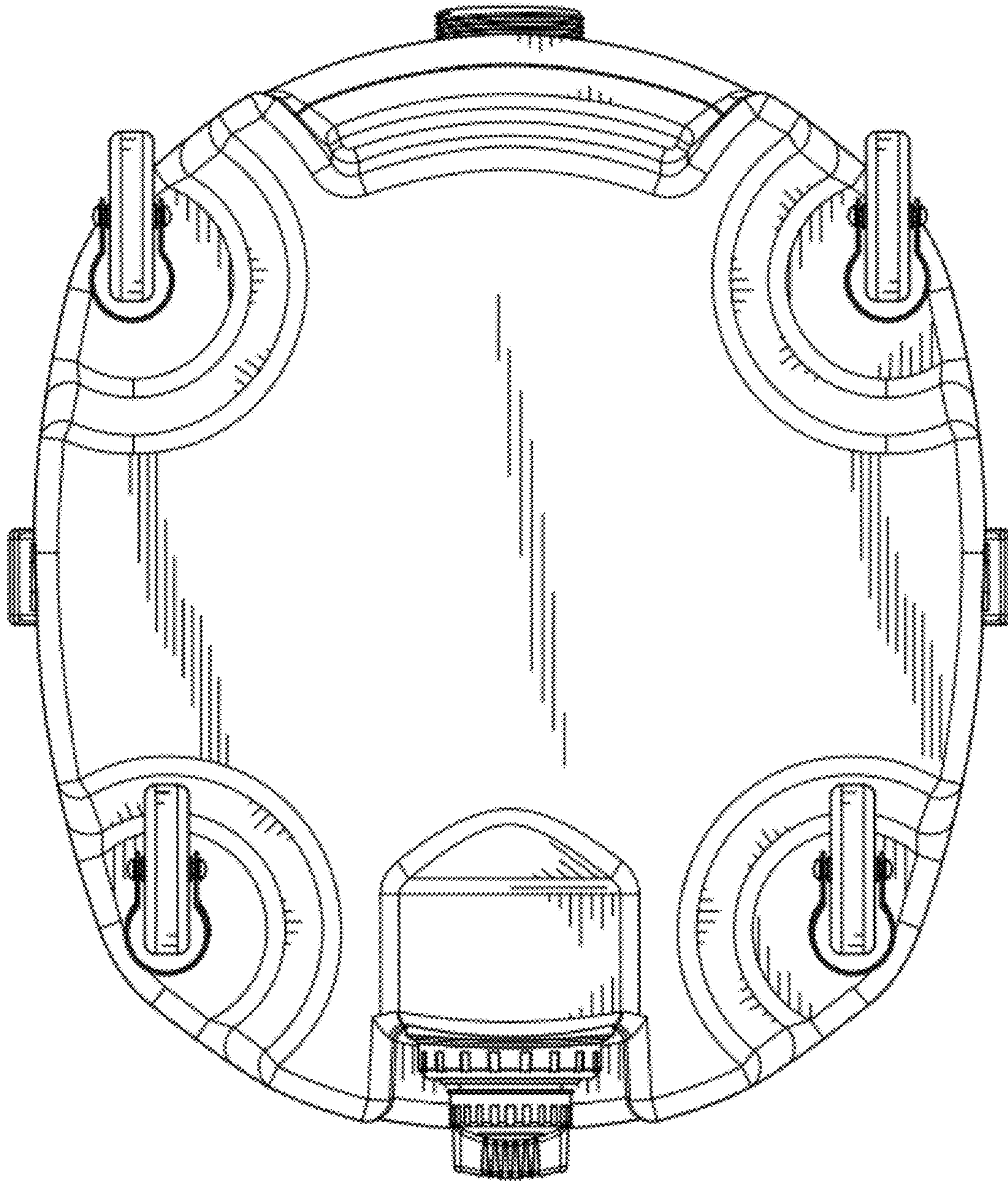


FIG. 7