

US00D669645S

(12) **United States Design Patent**
Patterson, Jr.

(10) **Patent No.:** **US D669,645 S**

(45) **Date of Patent:** **** Oct. 23, 2012**

(54) **AUTOMATIC WINDOW WASHING DEVICE**

(76) **Inventor:** **Carl Patterson, Jr., Aurora, CO (US)**

(**) **Term:** **14 Years**

(21) **Appl. No.:** **29/395,489**

(22) **Filed:** **Jan. 30, 2012**

(51) **LOC (9) Cl.** **15-05**

(52) **U.S. Cl.** **D32/1**

(58) **Field of Classification Search** D32/1,
D32/25; 15/4, 50.1, 50.3, 103, 250.03–250.04,
15/250.1, 250.11, 250.24, 302; 134/18
See application file for complete search history.

(56) **References Cited**

U.S. PATENT DOCUMENTS

1,348,443	A *	8/1920	Piggott	15/250.24
1,661,918	A *	3/1928	Beno	15/250.04
1,766,550	A *	6/1930	Schubert	15/250.04
2,563,696	A *	8/1951	Wayne	15/250.03
3,378,875	A *	4/1968	Kern	15/250.04
3,454,976	A *	7/1969	Kijinski	15/250.01
3,604,049	A *	9/1971	Hetman	15/302
4,025,984	A	5/1977	Hoener, Jr.		
4,136,419	A	1/1979	Hetman et al.		
4,198,724	A	4/1980	Fisher et al.		
4,257,138	A *	3/1981	Clements et al.	15/4
5,655,247	A	8/1997	Allen et al.		
6,601,256	B2 *	8/2003	Lee	15/50.3
6,986,186	B1 *	1/2006	Dube	15/250.01
7,231,683	B1 *	6/2007	Cruz	15/103

D547,911	S *	7/2007	Subotic	D32/1
7,823,242	B2 *	11/2010	Gorman	15/103
2008/0295265	A1 *	12/2008	Gorman	15/4

* cited by examiner

Primary Examiner — T. Chase Nelson

Assistant Examiner — Kathleen M Sims

(74) *Attorney, Agent, or Firm* — Paul R. Martin

(57) **CLAIM**

The ornamental design for an automatic window washing device, as shown and described.

DESCRIPTION

FIG. 1 is a perspective view from the front of the automatic window washing device of my new design.

FIG. 2 is a perspective view from the rear of the device of my new design.

FIG. 3 is a front elevational view of the device of my new design.

FIG. 4 is a left end elevational view of the device of my new design.

FIG. 5 is a top plan view of the device of my new design.

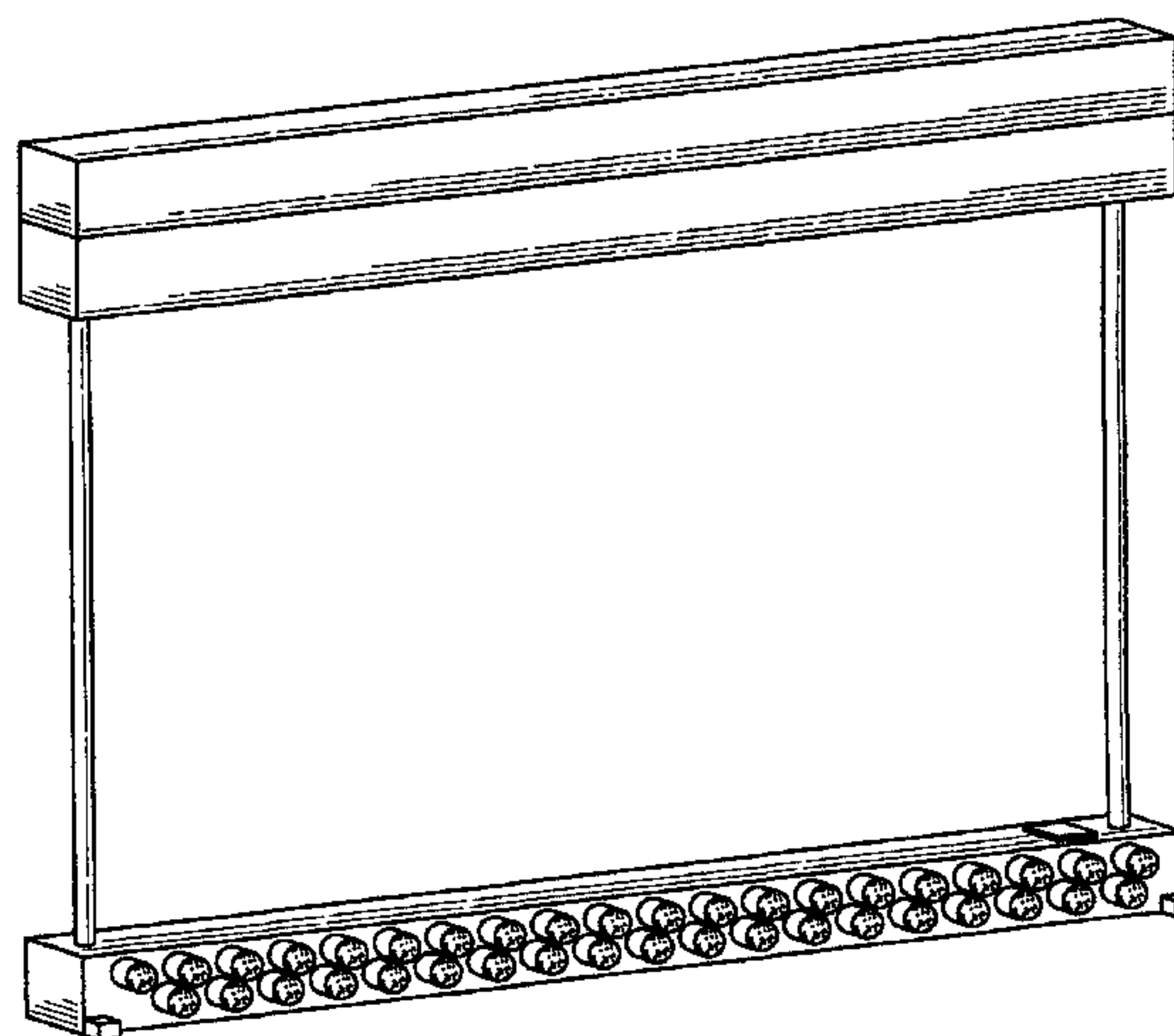
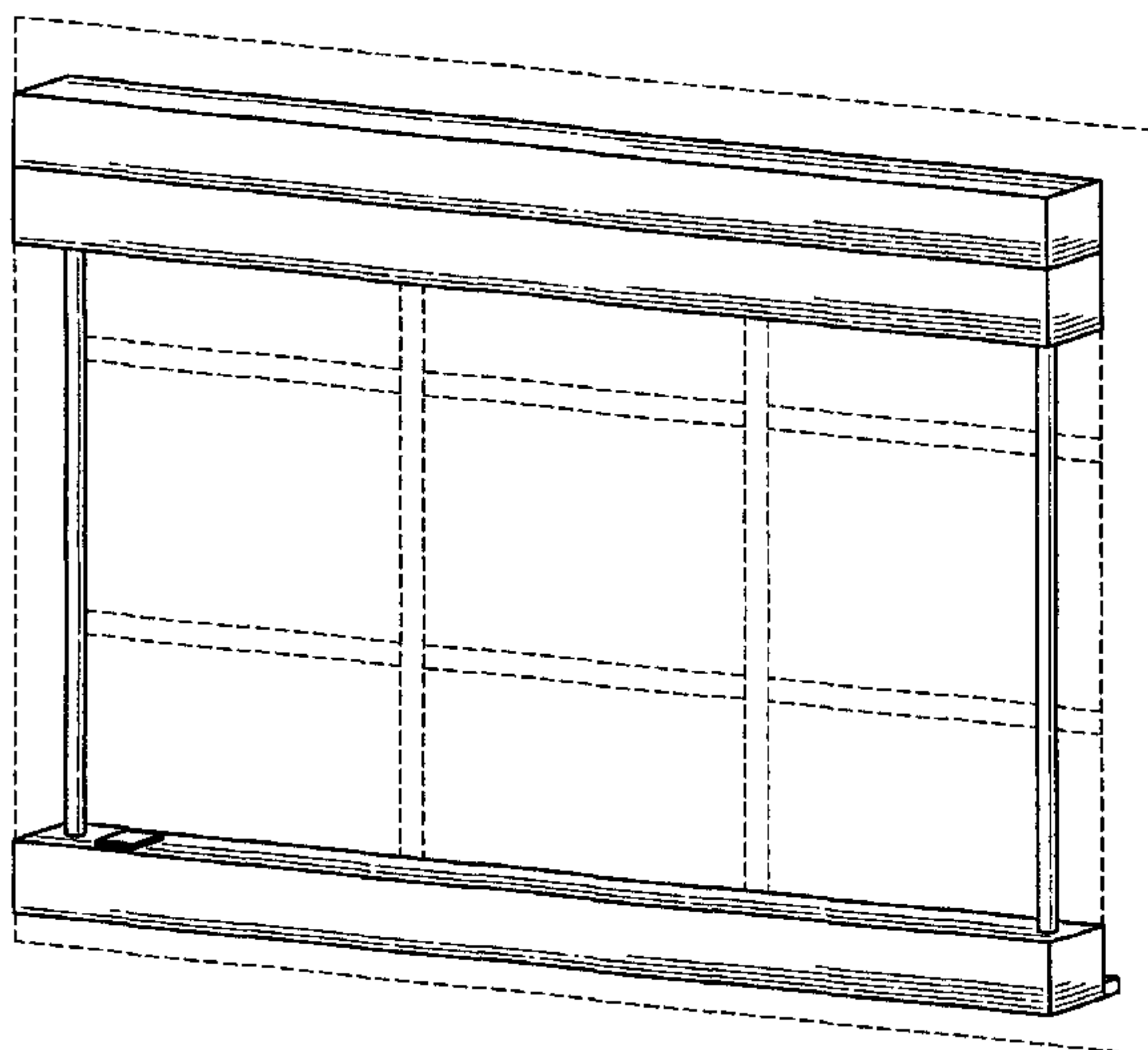
FIG. 6 is a back elevational view of the device of my new design.

FIG. 7 is a right end elevational view of the device of my new design; and,

FIG. 8 is a bottom plan view of the device of my new design.

The broken line elements in FIG. 1 are environmental and form no part of the device of my new design.

1 Claim, 4 Drawing Sheets



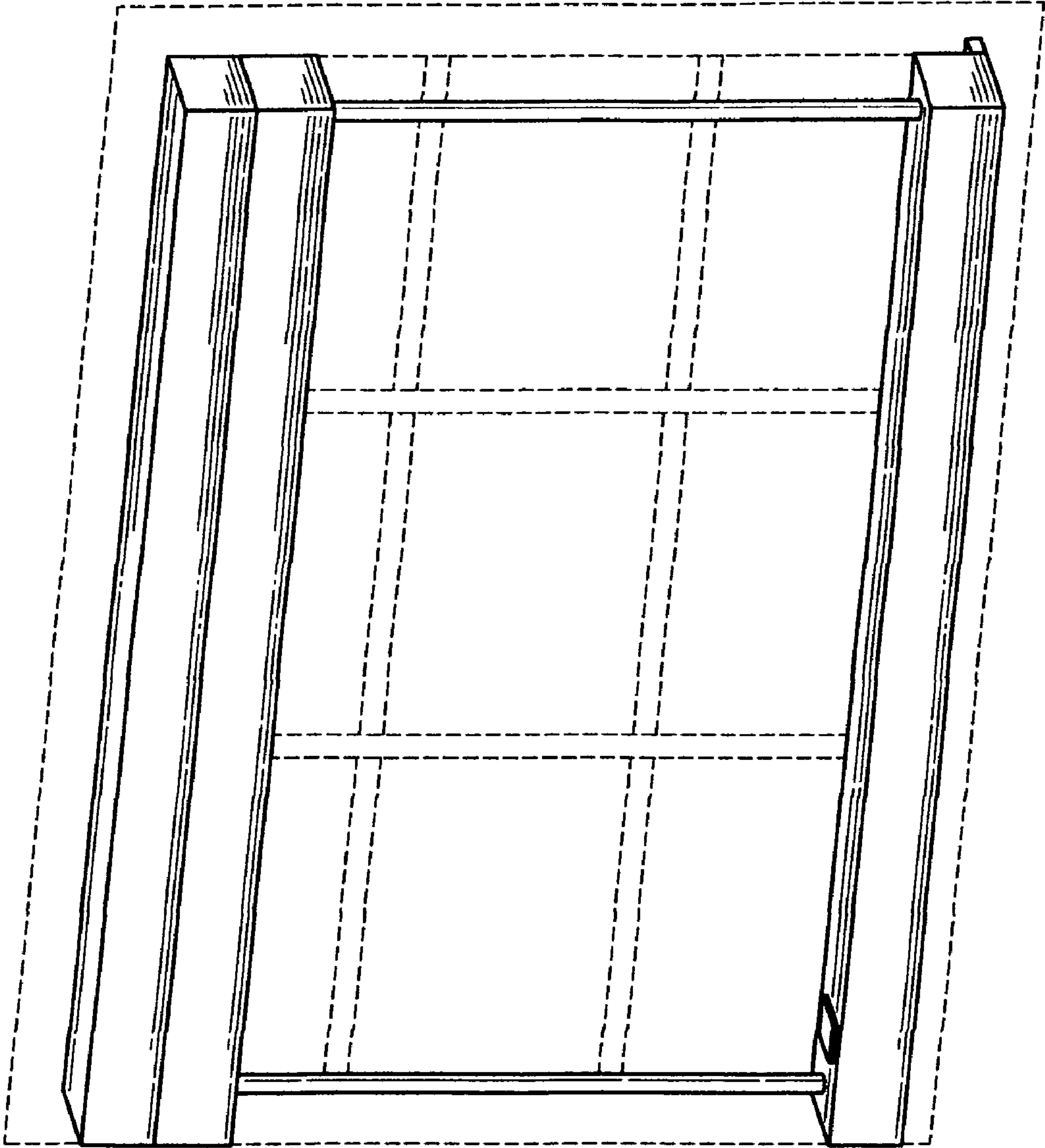


FIG. 1

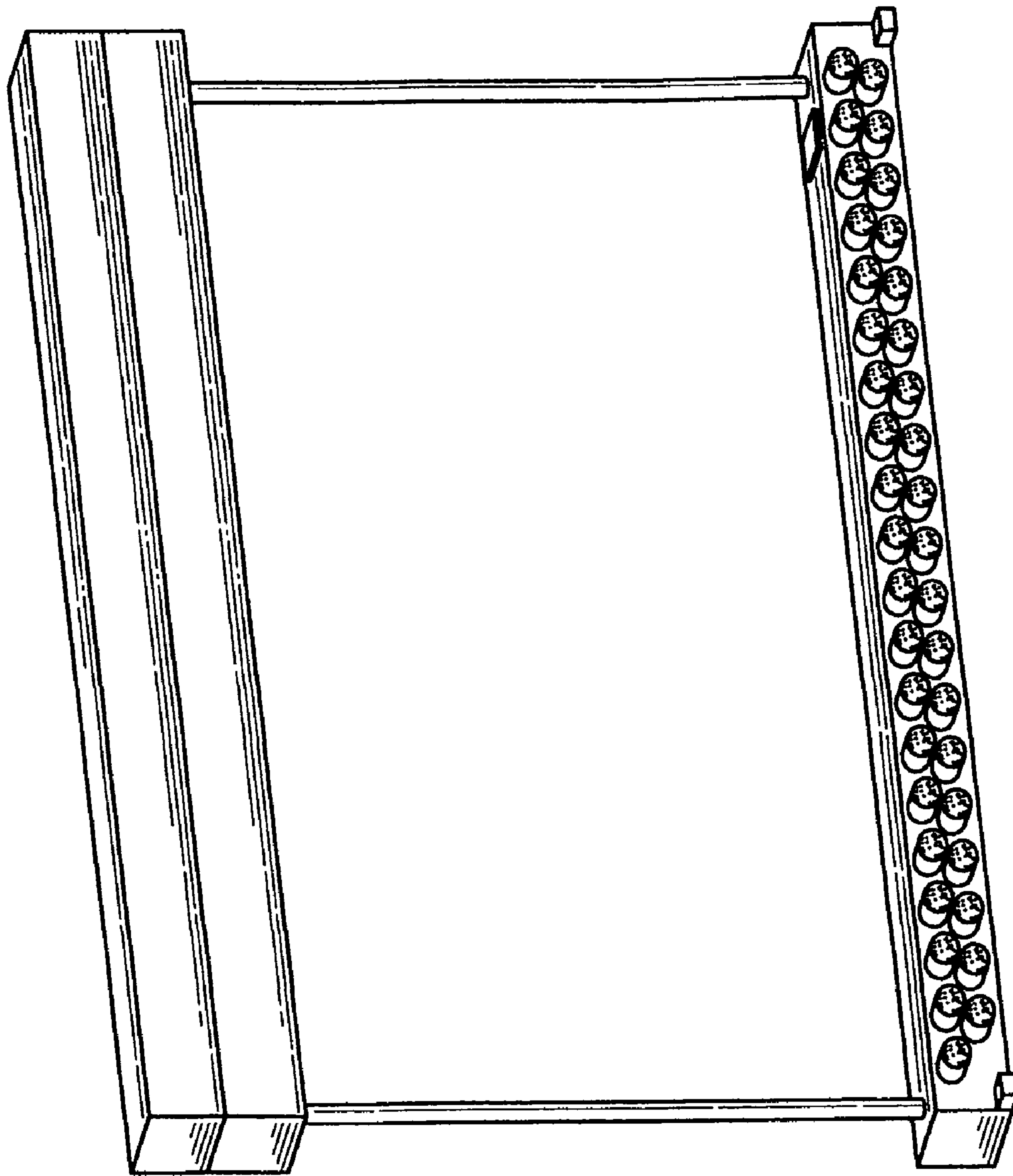


FIG. 2

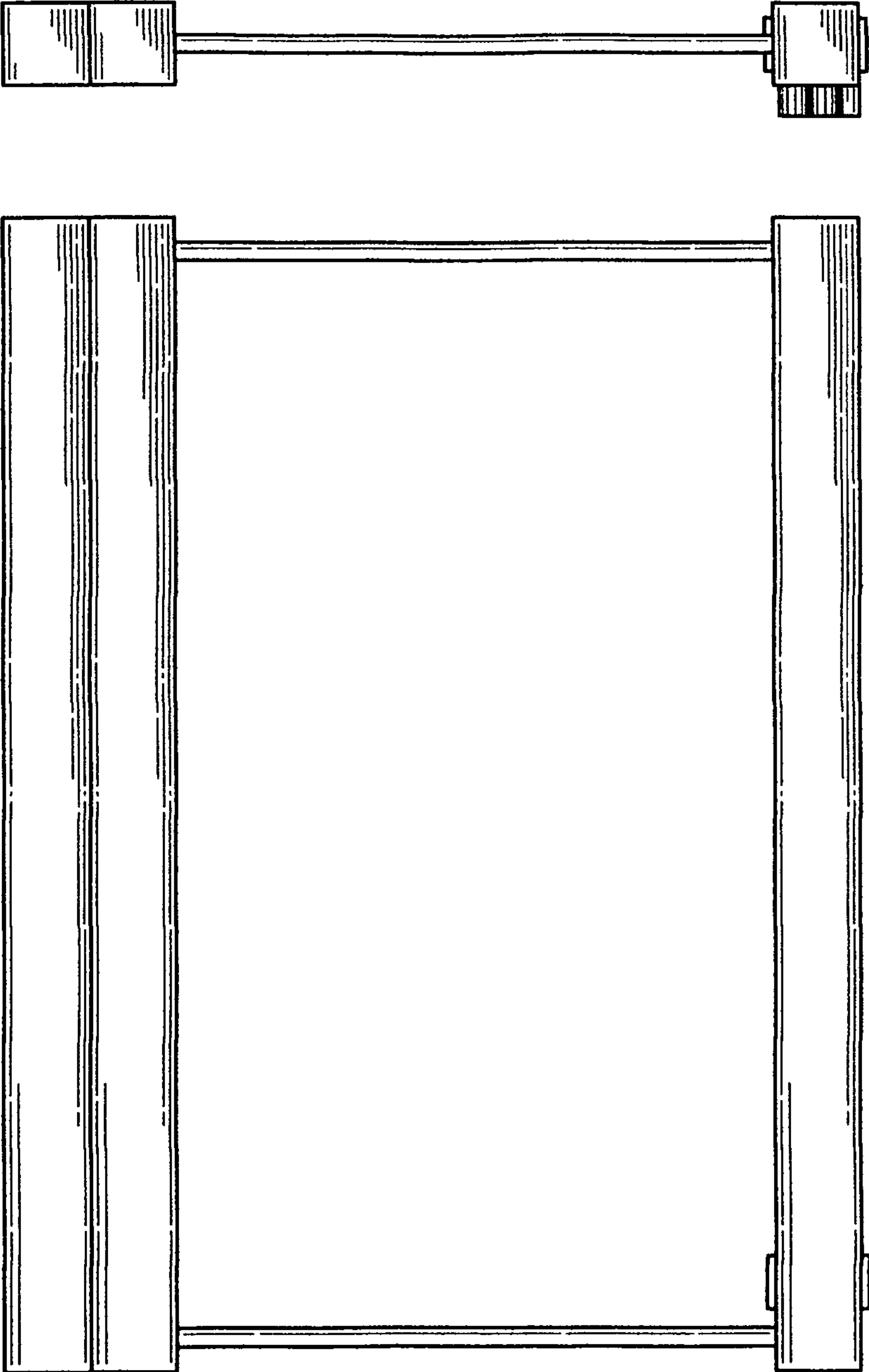


FIG. 5

FIG. 4

FIG. 3

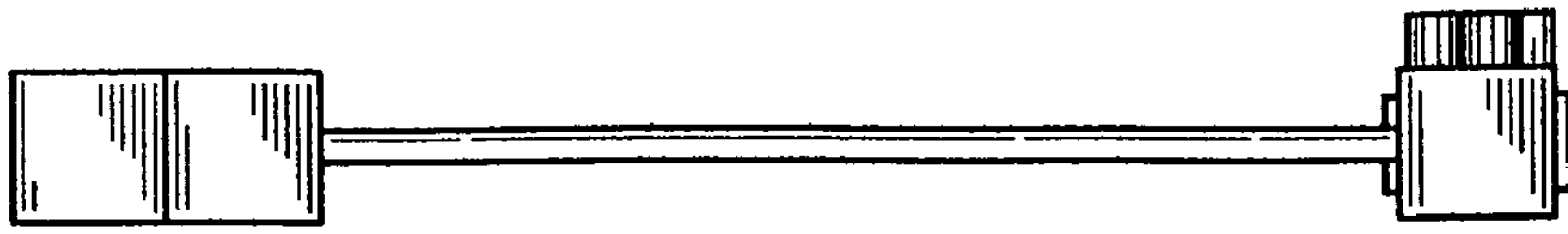


FIG. 7

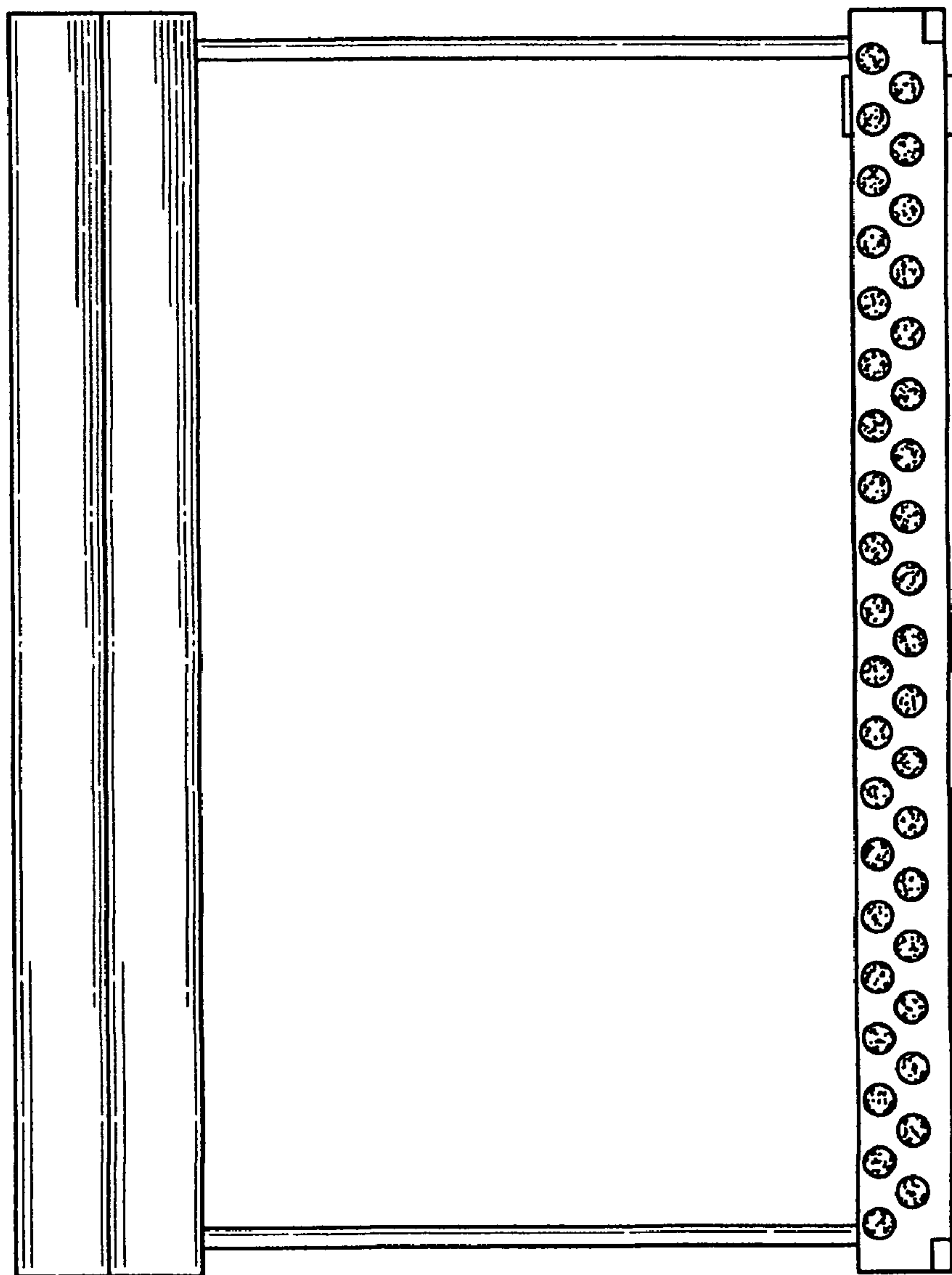


FIG. 6



FIG. 8