



US00D669643S

(12) **United States Design Patent**
Kilroy

(10) **Patent No.:** **US D669,643 S**

(45) **Date of Patent:** **** Oct. 23, 2012**

(54) **INTEGRATED AQUARIUM AND SMALL ANIMAL EXHIBIT**

(76) Inventor: **Patrick F. Kilroy**, Lake Elsinore, CA (US)

(**) Term: **14 Years**

(21) Appl. No.: **29/403,139**

(22) Filed: **Oct. 1, 2011**

Related U.S. Application Data

(63) Continuation of application No. 12/712,220, filed on Feb. 25, 2010.

(51) **LOC (9) Cl.** **30-02**

(52) **U.S. Cl.** **D30/104**

(58) **Field of Classification Search** D30/101-106, D30/108, 118-120, 199; D6/436, 470, 474, D6/440, 448, 464; D11/145; 119/245-248, 119/269, 452, 467; 312/107-108, 138.1, 312/114; 211/189; 248/146; D20/7
See application file for complete search history.

(56) **References Cited**

U.S. PATENT DOCUMENTS

1,020,557	A *	3/1912	Hunter	312/114
D152,456	S *	1/1949	Buxbaum et al.	D30/104
3,387,587	A *	6/1968	Smith et al.	119/211
D236,839	S *	9/1975	Polli	D30/101
D278,941	S *	5/1985	Bohnsack	D30/101

D340,550	S *	10/1993	Teats	D30/104
5,263,772	A *	11/1993	Ritzow	312/138.1
D383,623	S *	9/1997	Goodwin et al.	D6/470
7,165,749	B2 *	1/2007	Venezia	248/146
7,421,976	B1 *	9/2008	Travers	119/269
7,886,696	B2 *	2/2011	Marks et al.	119/248
2011/0168102	A1 *	7/2011	Kilroy	119/246
2011/0203526	A1 *	8/2011	Kilroy	119/246

OTHER PUBLICATIONS

Oceanic-Aquarium-Tank-Overflow-Stand-Canopy, 1 page, [on line], [retrieved on Jan. 4, 2012]. Retrieved from the Internet <URL: http://www.topofthereeffiverock.com/content/p/124/catid/79/pid/25755/Oceanic_Aquariums_stands_Tech_Series>.*

* cited by examiner

Primary Examiner — Wan Laymon

(57) **CLAIM**

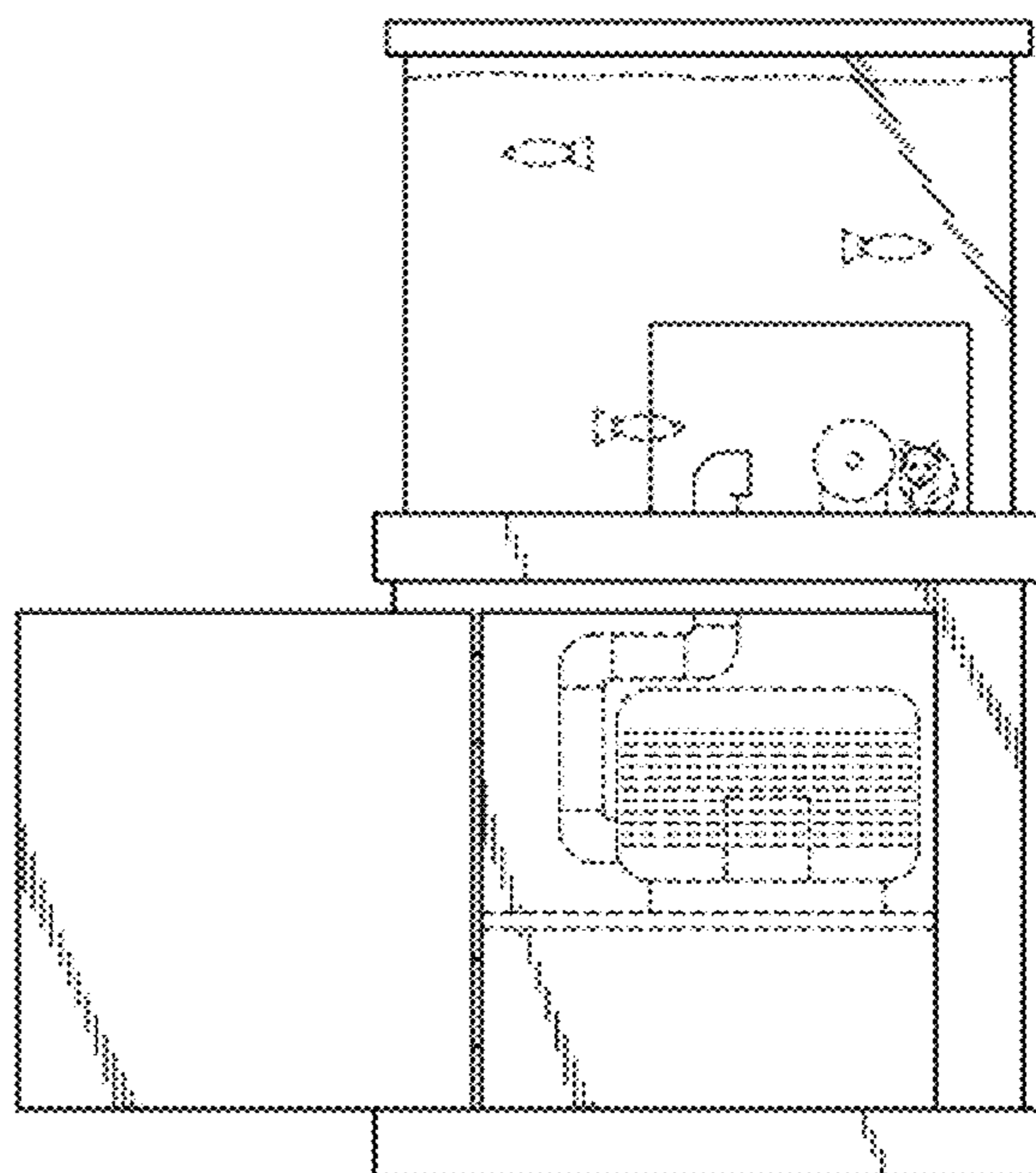
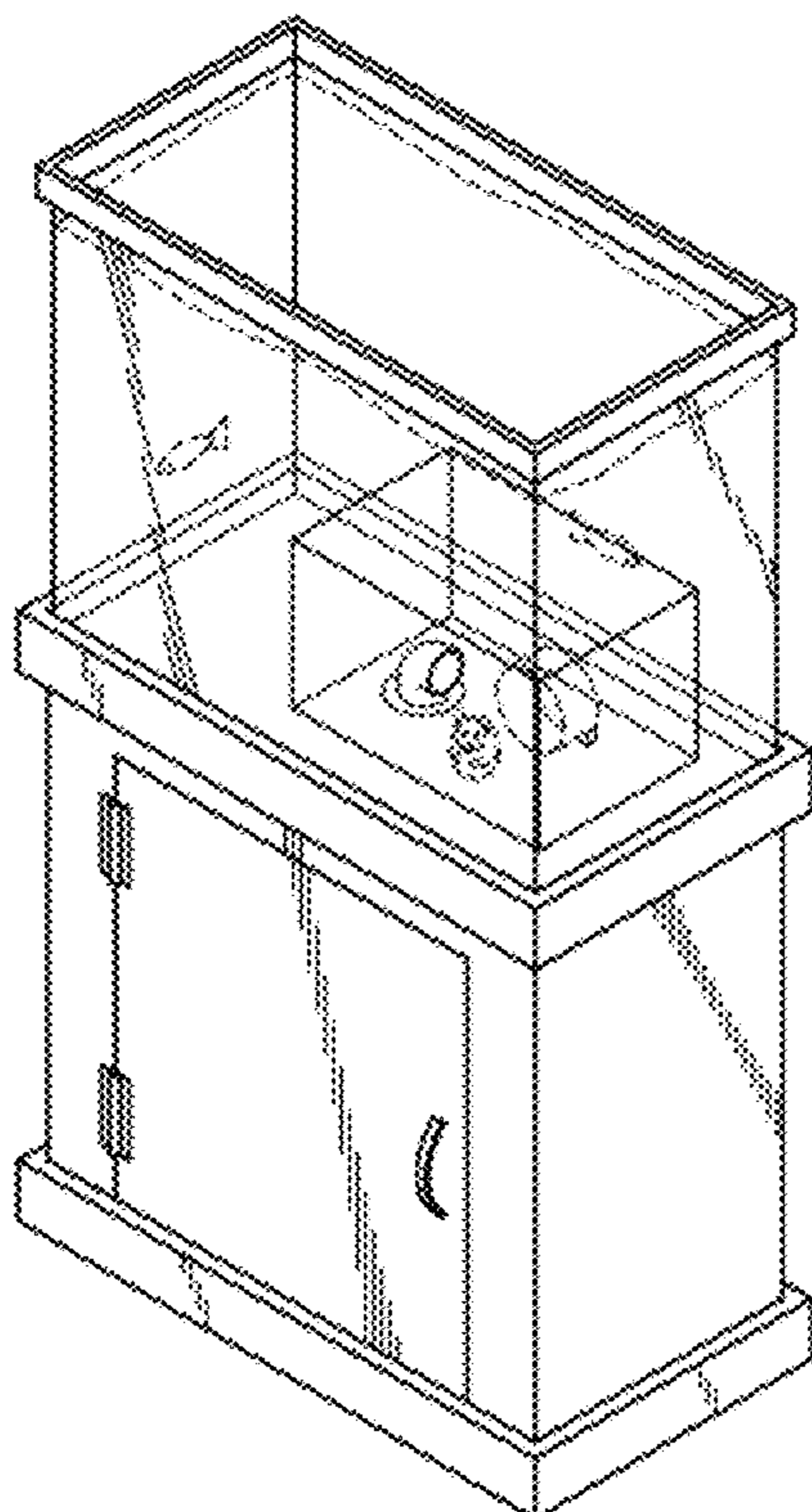
The ornamental design for an integrated aquarium and small animal exhibit, as shown and described.

DESCRIPTION

FIG. 1 is a perspective view of an integrated aquarium and small animal exhibit showing my design;
FIG. 2 is a front view of FIG. 1; and,
FIG. 3 is a front view of FIG. 1 showing the cabinet's access door open to reveal the small animal enclosure contained therein.

Portions of the integrated aquarium and small animal exhibit shown in broken lines form no part of the claimed design.

1 Claim, 3 Drawing Sheets



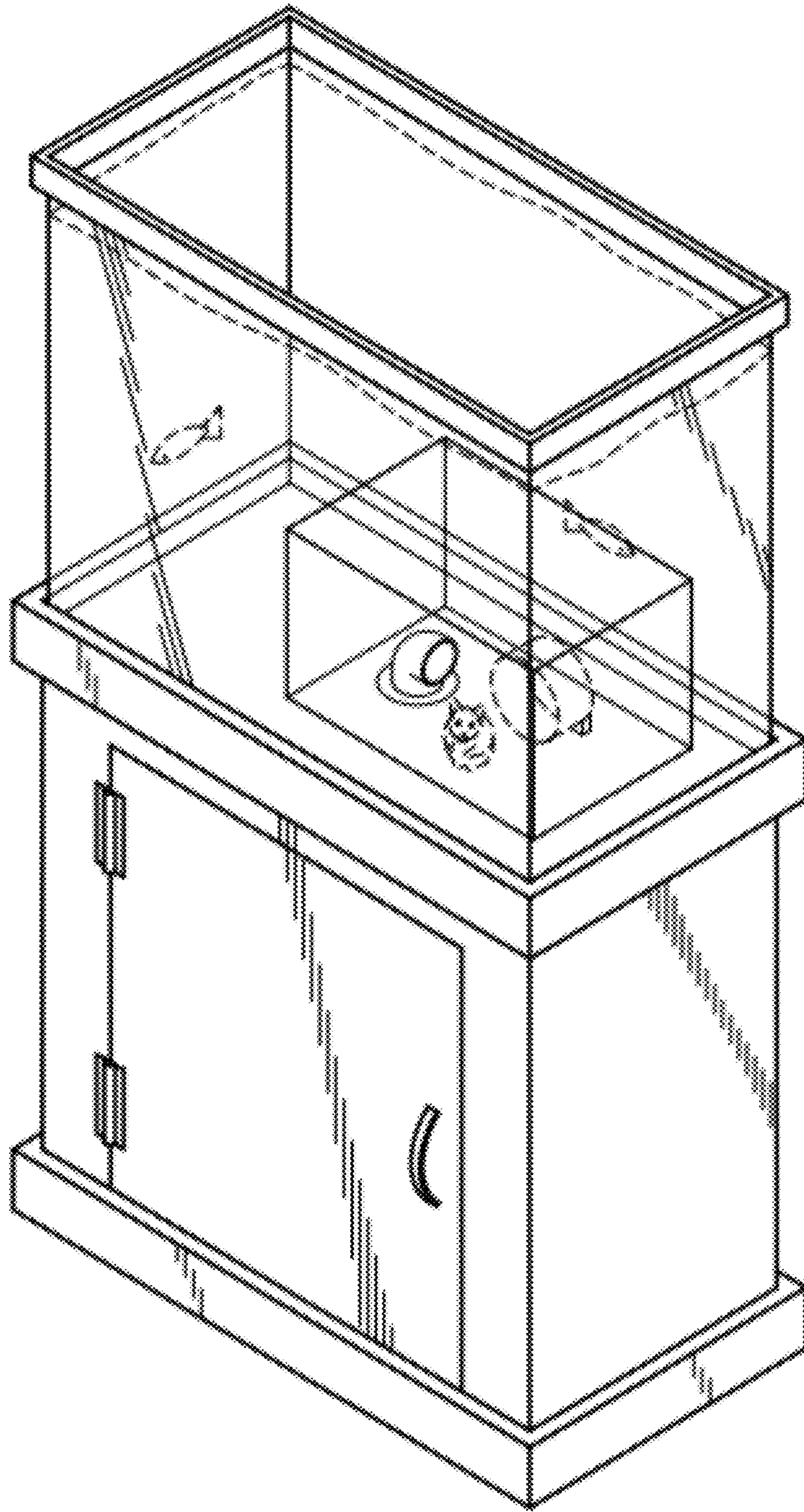


FIG. 1

FIG. 2

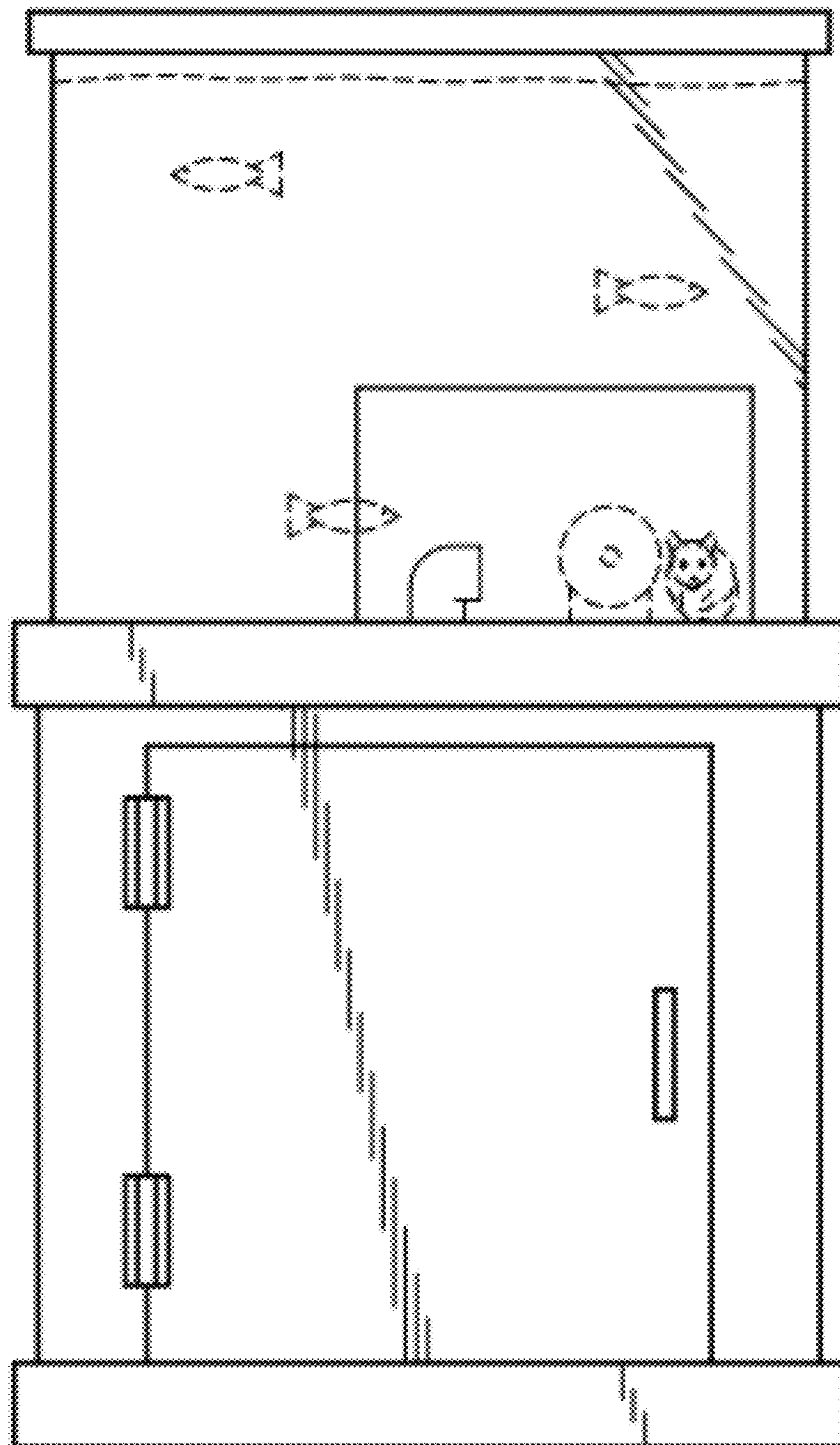


FIG. 3

