



US00D669641S

(12) **United States Design Patent**
DeCarlo

(10) **Patent No.:** **US D669,641 S**

(45) **Date of Patent:** **** Oct. 23, 2012**

(54) **SAFETY AID**

(76) Inventor: **Victoria DeCarlo**, Angola, NY (US)

(**) Term: **14 Years**

(21) Appl. No.: **29/410,288**

(22) Filed: **Jan. 6, 2012**

(51) **LOC (9) Cl.** **29-02**

(52) **U.S. Cl.** **D29/120.1; D10/114.9**

(58) **Field of Classification Search** D2/610,
D2/614, 615, 616, 617, 618, 619, 620, 621,
D2/622, 623; D10/114.9; D21/400, 807;
D28/63; D29/113, 114, 116.2, 117.1, 117.2,
D29/118, 120.1, 122, 123; D32/40, 41, 42,
D32/43; 2/16, 20, 21, 158, 159, 160, 162,
2/161.1, 161.2, 161.3, 161.4, 161.5, 161.6,
2/161.7, 161.8, 167, 168, 169, 170; 15/104.94,
15/227

See application file for complete search history.

(56) **References Cited**

U.S. PATENT DOCUMENTS

1,244,065	A *	10/1917	Miller	116/35 R
1,507,707	A *	9/1924	Morganstern	15/227
1,520,693	A *	12/1924	Brown	116/35 R
1,624,429	A *	4/1927	Palmer	2/162
1,630,730	A *	5/1927	Daugherty	116/35 R
1,782,502	A *	11/1930	Crane	15/227
1,882,588	A *	10/1932	Heath	15/227
2,595,882	A *	5/1952	Pierce	401/7
4,330,120	A	5/1982	Netti	
D369,309	S *	4/1996	Marbach	D10/114.9
D378,307	S *	3/1997	Desveaux	D21/807
5,898,942	A	5/1999	Anderson	
6,019,854	A *	2/2000	Thomas	134/6
D454,237	S *	3/2002	Brown	D32/40

D478,399	S	8/2003	Mishler et al.	
7,765,617	B2 *	8/2010	Alden	2/158
8,230,523	B2 *	7/2012	Chareyron	2/161.6
2007/0067932	A1 *	3/2007	Young et al.	15/104.94
2011/0005017	A1 *	1/2011	Merriweather	15/227

OTHER PUBLICATIONS

Specimen images from US Registered Trademark 85490967, filed Dec. 7, 2011.*

Photographs of the "STEFFI Crossing Enhancer," in use. Downloaded from the Internet on Jun. 21, 2012. URL: <http://stef-fiproducts.com/Photos.php>. (4 pages).*

* cited by examiner

Primary Examiner — Karen E Eldridge Powers

(74) *Attorney, Agent, or Firm* — Vincent G. LoTempio; Kloss, Stenger + LoTemp

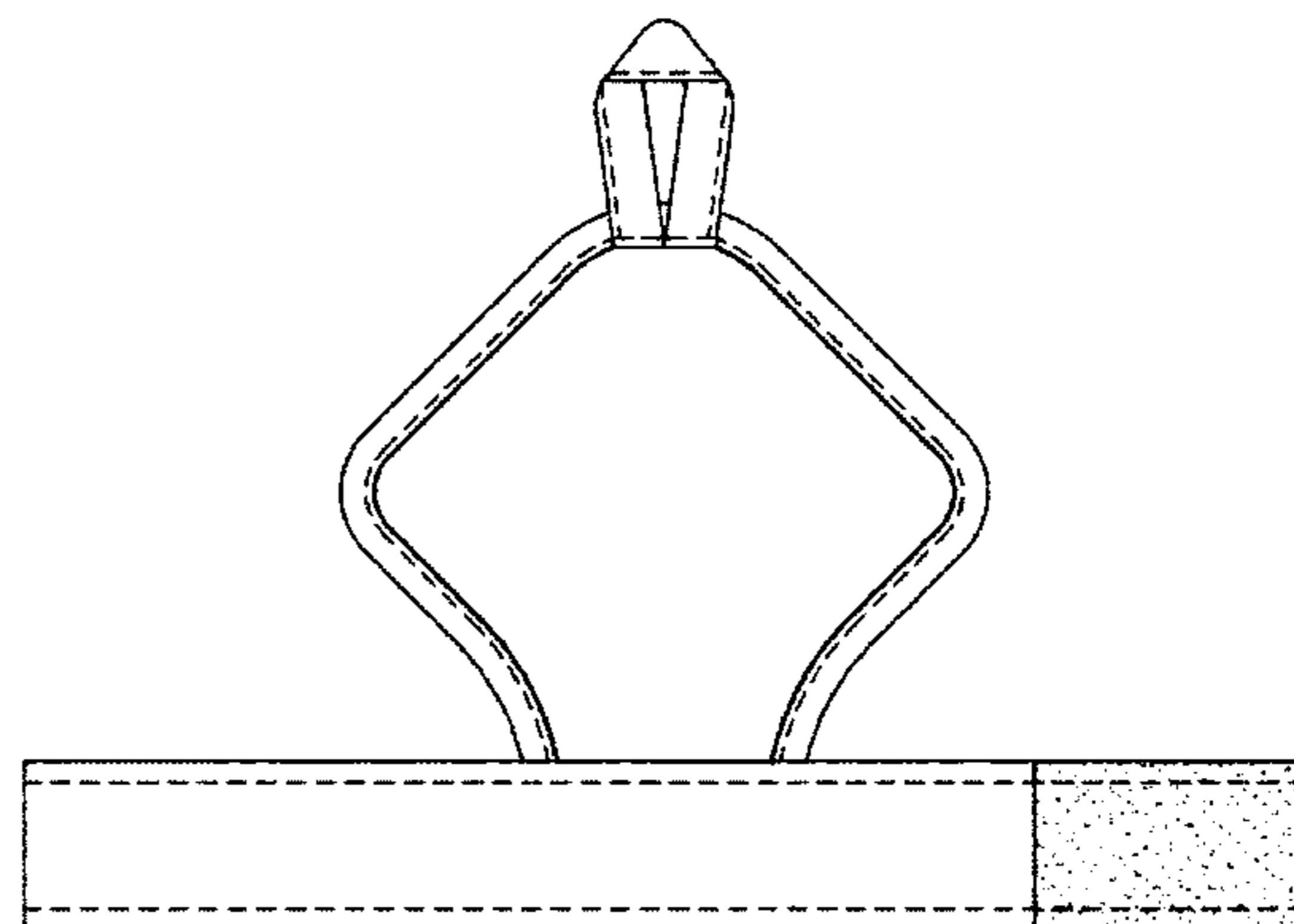
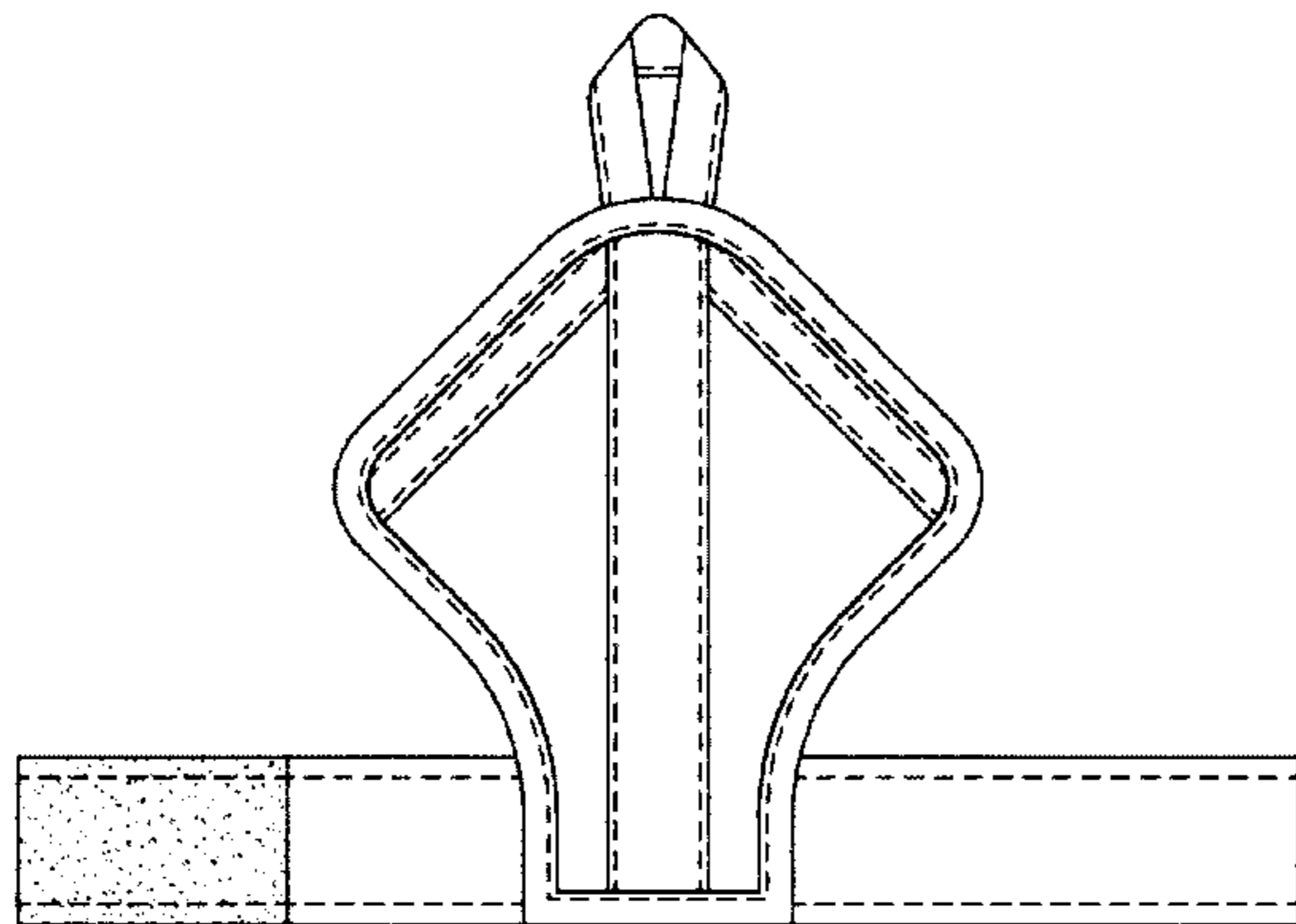
(57) **CLAIM**

The ornamental design for a safety aid, as shown and described.

DESCRIPTION

FIG. 1 is a front perspective view of my design of a safety aid; FIG. 2 is a back perspective view of my design; FIG. 3 is a front elevation view of my design; FIG. 4 is a back elevation view of my design; FIG. 5 is a top plan view of my design; FIG. 6 is a bottom plan view of my design; FIG. 7 is a right side elevation view of my design; and, FIG. 8 is a left side elevation view of my design. The broken lines depict unclaimed features of the article to which the design is applied.

1 Claim, 3 Drawing Sheets



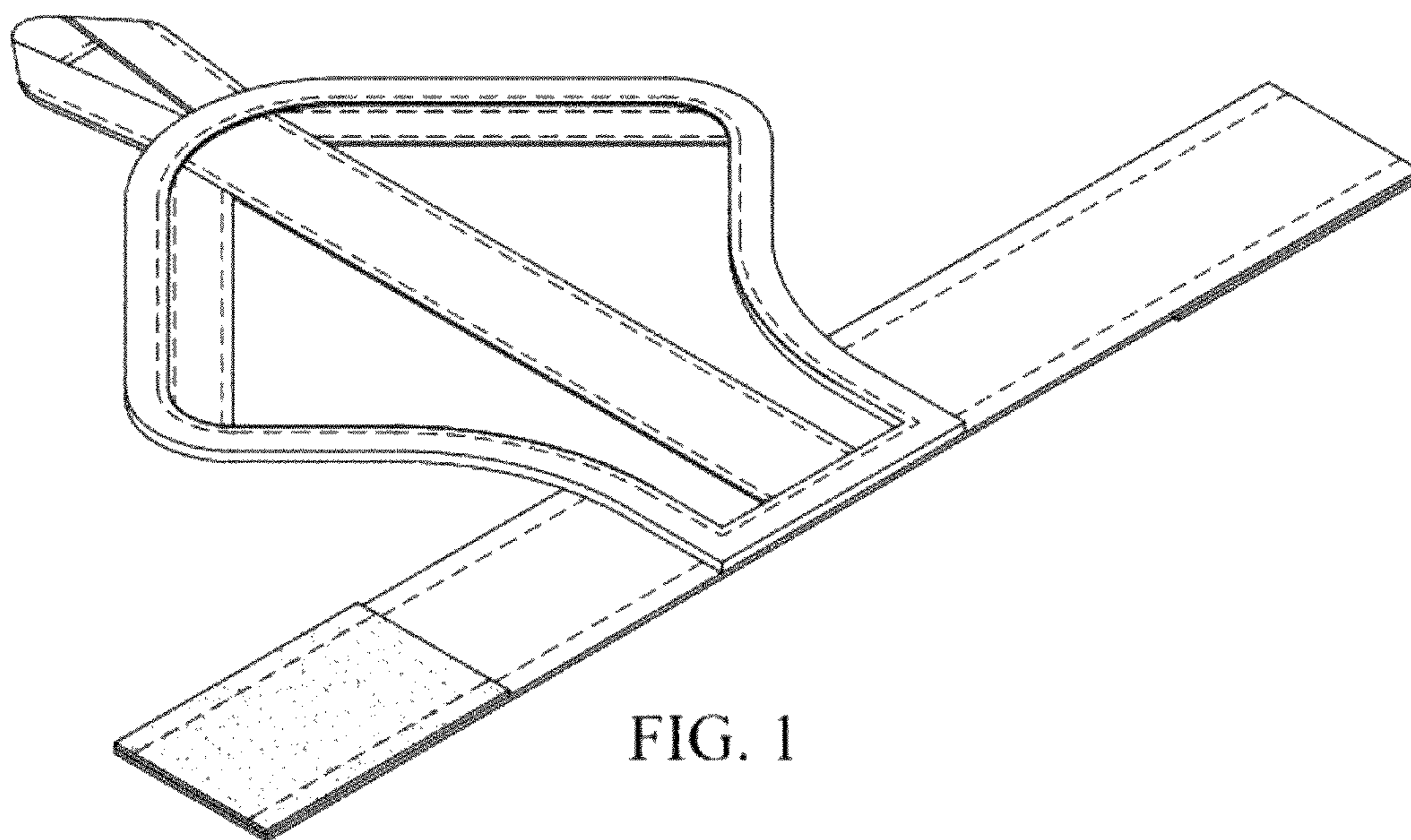


FIG. 1

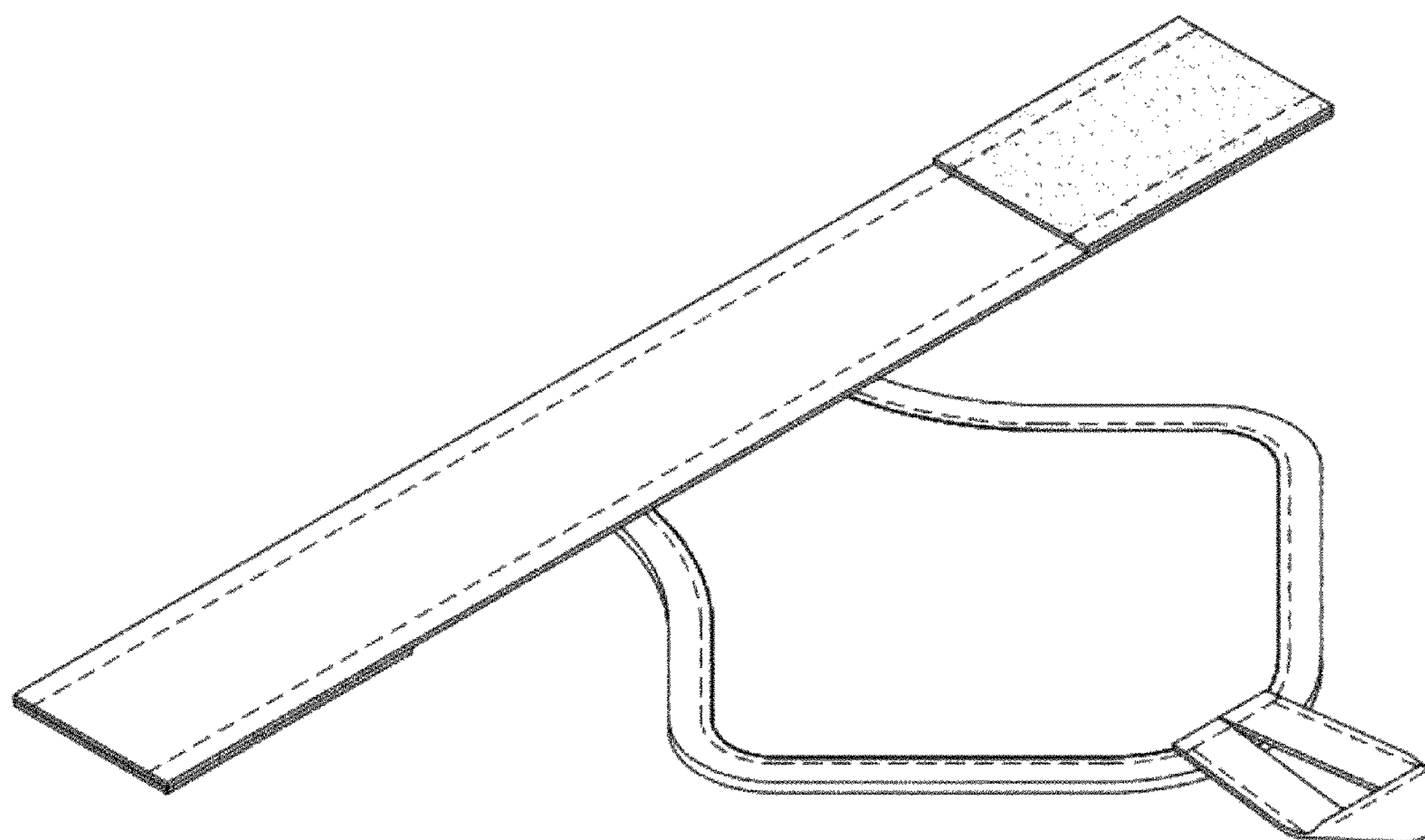


FIG. 2

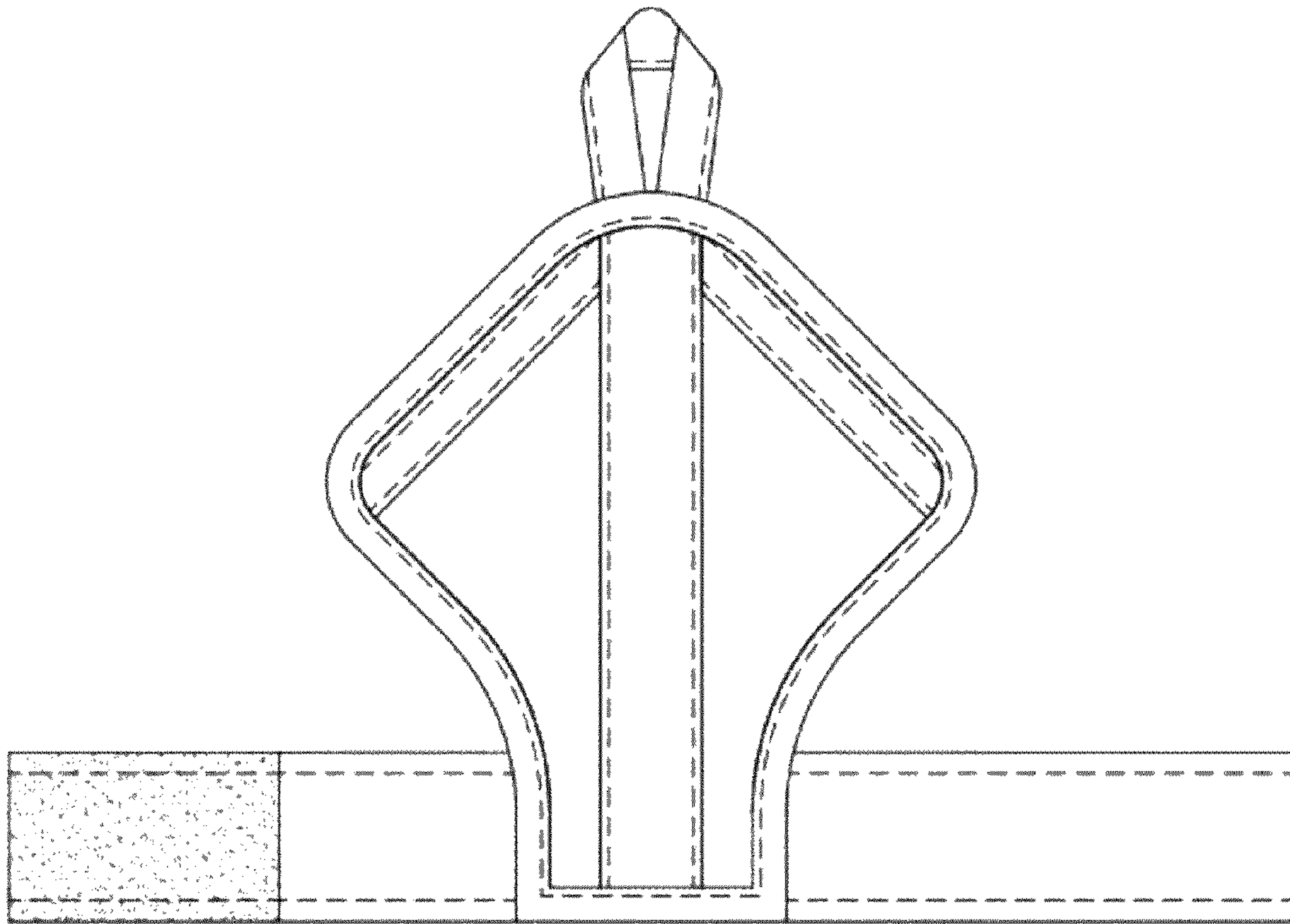


FIG. 3

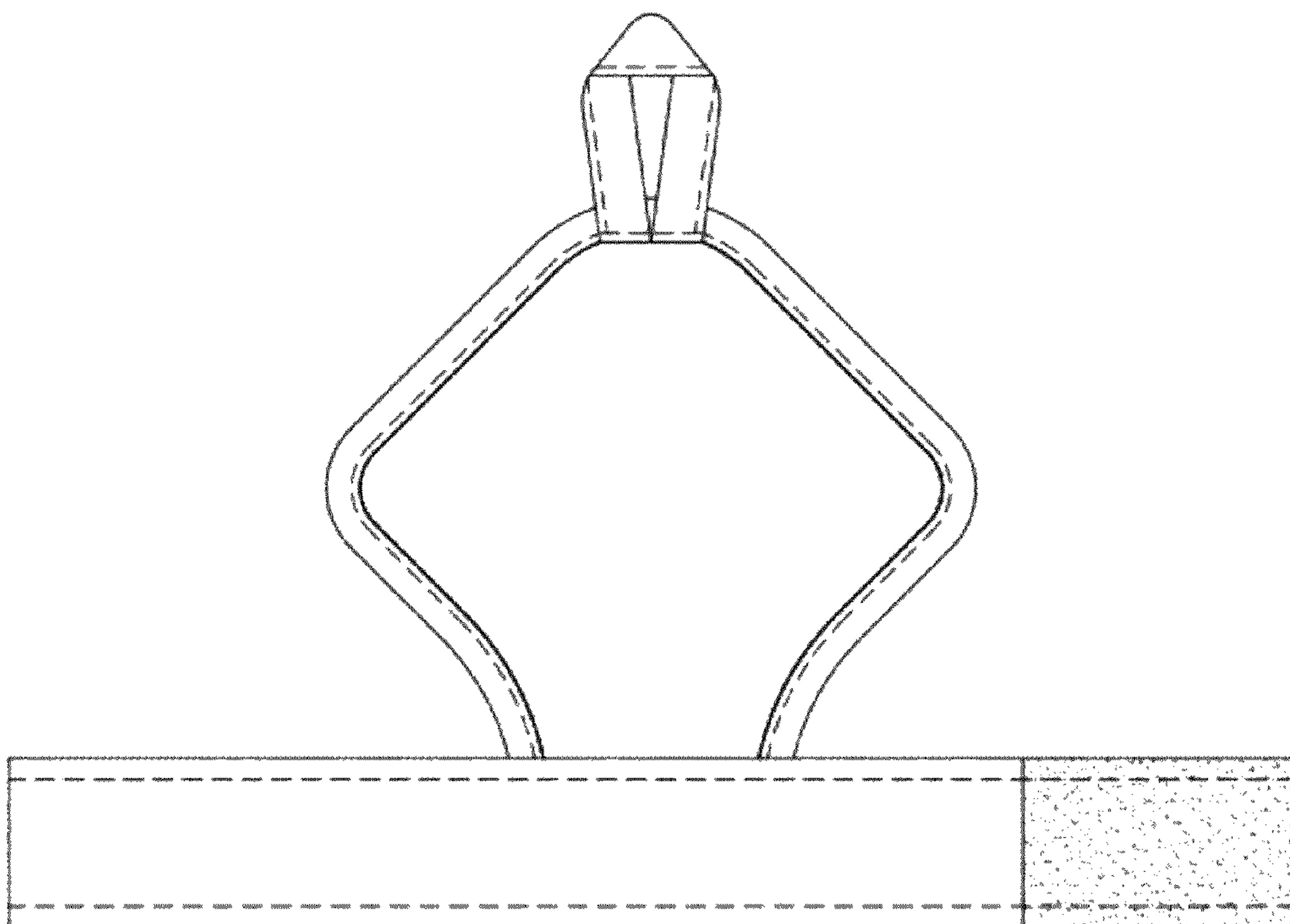


FIG. 4

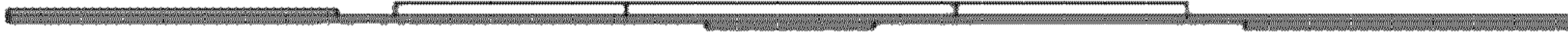


FIG. 5

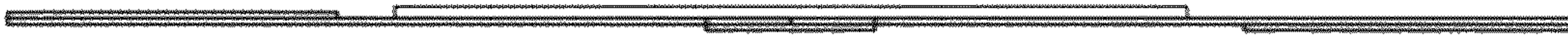


FIG. 6



FIG. 7



FIG. 8