



US00D669633S

(12) **United States Design Patent**
Hedgren

(10) **Patent No.:** **US D669,633 S**

(45) **Date of Patent:** **** Oct. 23, 2012**

(54) **HEADBAND**

(76) Inventor: **Peggy Hedgren**, Libertyville, IL (US)

(**) Term: **14 Years**

(21) Appl. No.: **29/416,566**

(22) Filed: **Mar. 23, 2012**

(51) **LOC (9) Cl.** **28-03**

(52) **U.S. Cl.** **D28/41; D2/894**

(58) **Field of Classification Search** D28/21-34,
D28/39-43; 132/101, 126, 128-131, 144,
132/148, 219, 275-284; D2/865, 866, 871,
D2/894; D24/191

See application file for complete search history.

(56) **References Cited**

U.S. PATENT DOCUMENTS

3,229,308	A	*	1/1966	Jensen	2/209.3
D272,865	S	*	3/1984	Edelmann	D2/866
D316,774	S	*	5/1991	Falk	D2/875
D343,282	S	*	1/1994	Irish	D2/875
D355,047	S	*	1/1995	Grimes	D28/9
D375,612	S	*	11/1996	Elder	D2/894
D382,989	S	*	9/1997	Simpson	D2/894
D384,790	S	*	10/1997	Juergens	D2/866
D389,636	S	*	1/1998	Davis, Sr.	D2/894
D402,091	S	*	12/1998	Bratcher	D2/894
D404,807	S	*	1/1999	Nepsund et al.	D23/365
D409,357	S	*	5/1999	Hirata	D2/610
D475,140	S	*	5/2003	Anderson	D24/191

D501,554	S	*	2/2005	Hansen	D24/128
D511,036	S	*	11/2005	Moses	D2/894
D538,514	S	*	3/2007	Nadeau	D2/894

* cited by examiner

Primary Examiner — Zenia Bennett

(74) *Attorney, Agent, or Firm* — Maier & Maier PLLC

(57) **CLAIM**

The ornamental design for a headband, as shown and described.

DESCRIPTION

FIG. 1 is a perspective view of a headband, showing my design;

FIG. 2 is a perspective view thereof with the opening in an open position;

FIG. 3 is a front view thereof;

FIG. 4 is a rear view thereof;

FIG. 5 is a top view thereof, the bottom view being a mirror image of the top view;

FIG. 6 is a left side view thereof;

FIG. 7 is a right side view thereof;

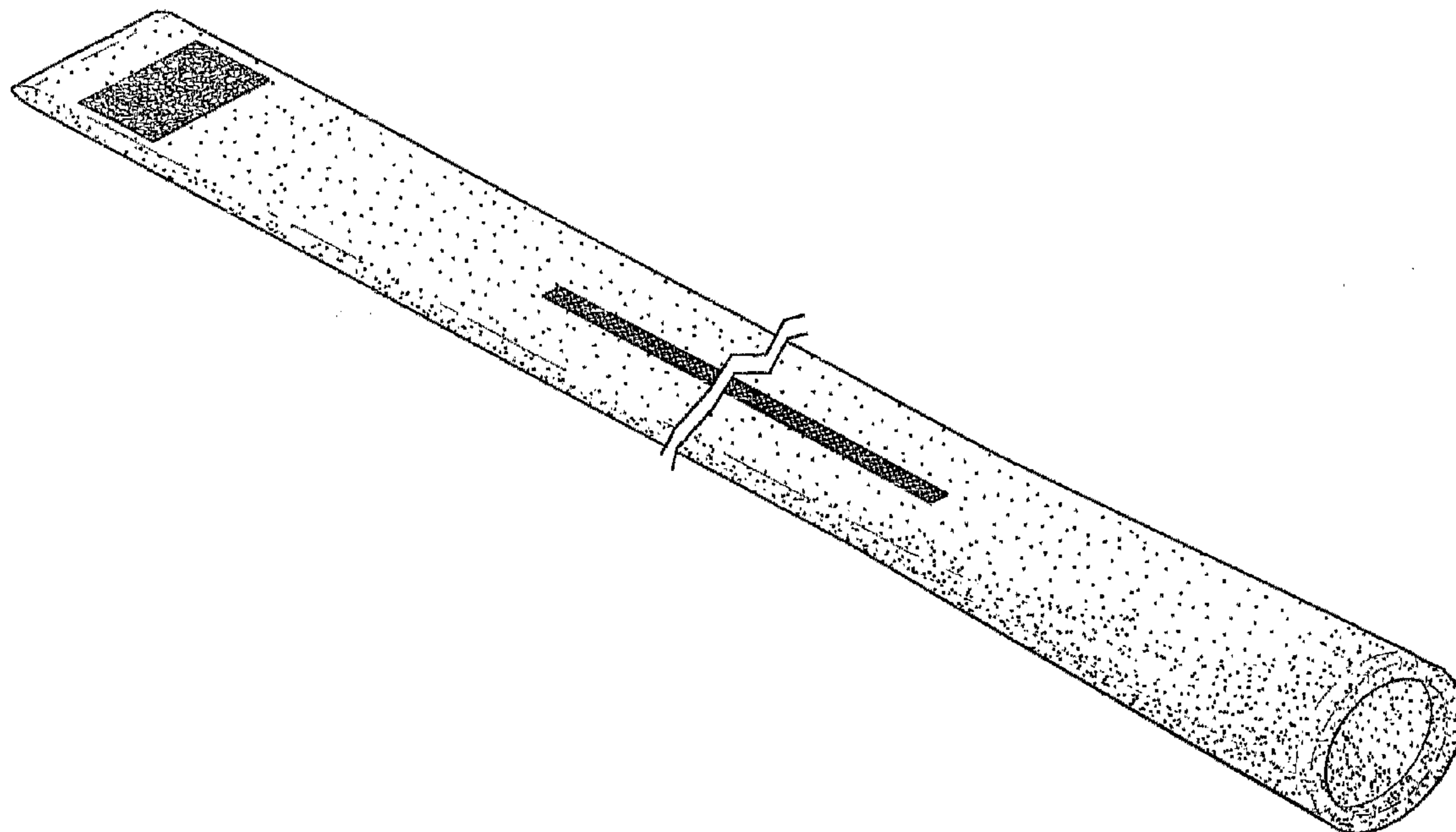
FIG. 8 is a perspective view thereof in use; and,

FIG. 9 is a perspective view thereof in use with a mask coupled to the fastener.

Portions of the Headband are shown broken away to indicate indeterminate length.

The broken line showing is for illustrative purposes only and forms no part of the claimed design.

1 Claim, 3 Drawing Sheets



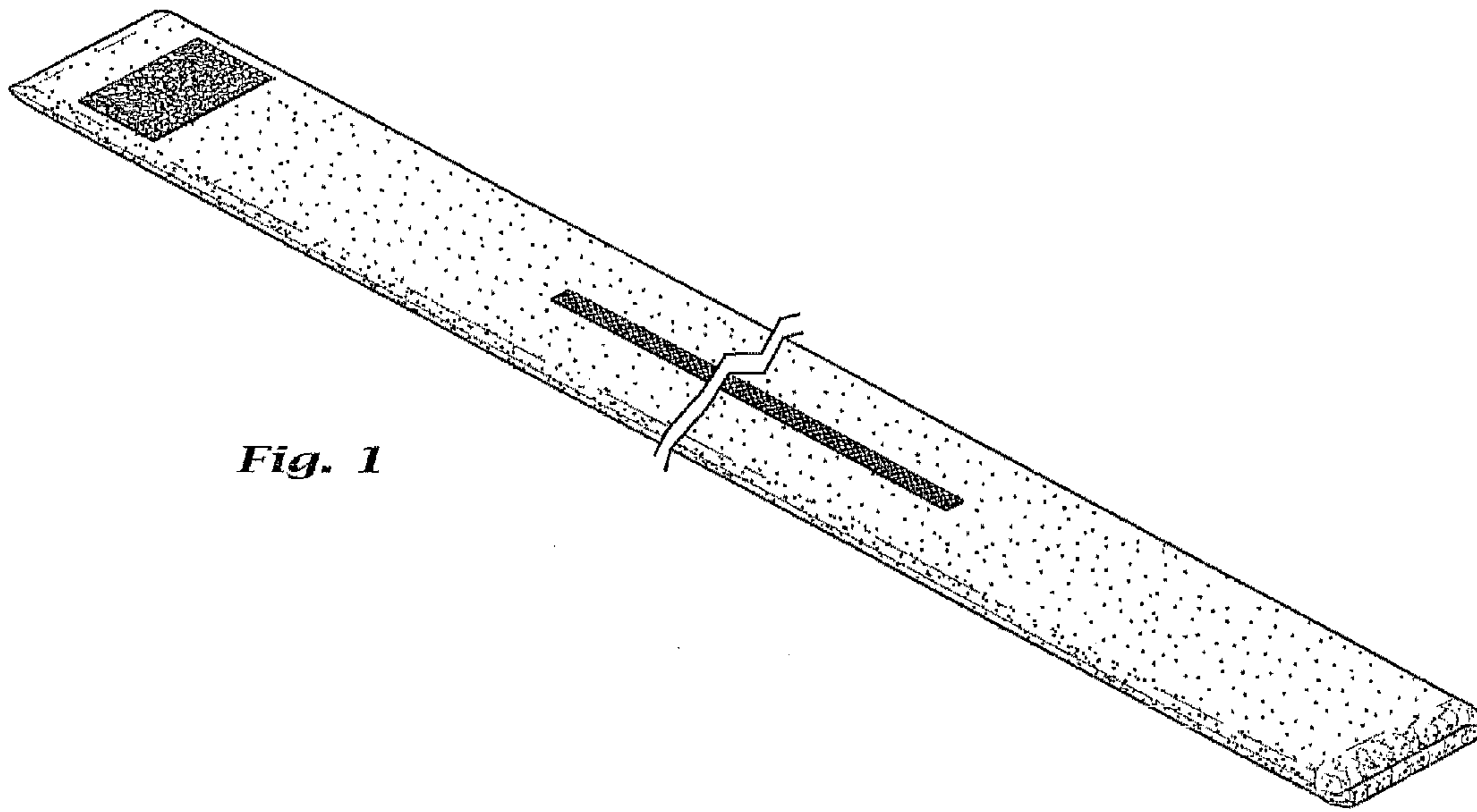


Fig. 1

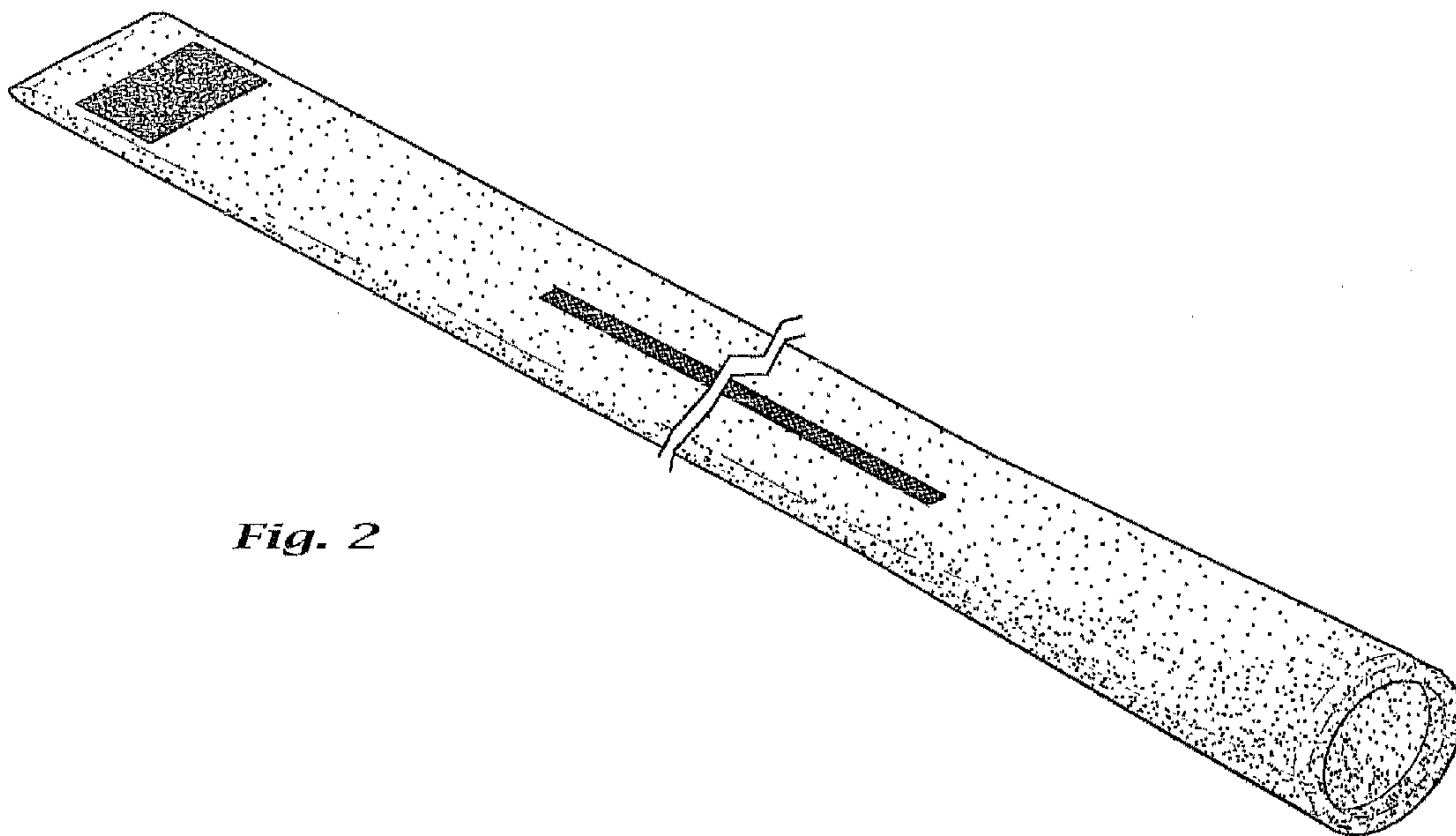


Fig. 2

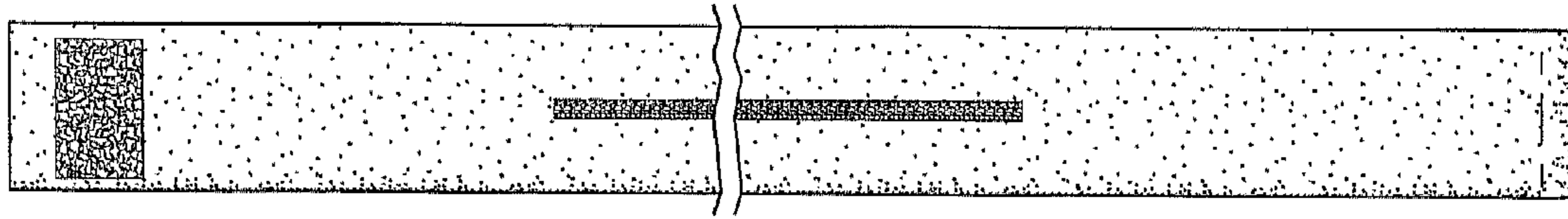


Fig. 3

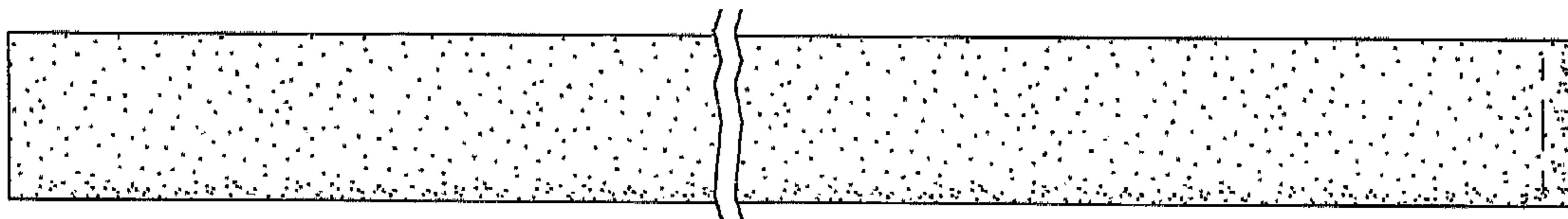


Fig. 4



Fig. 5

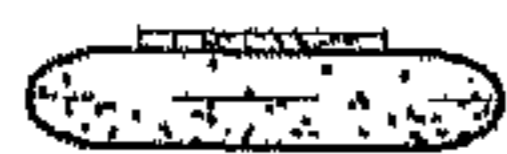


Fig. 6

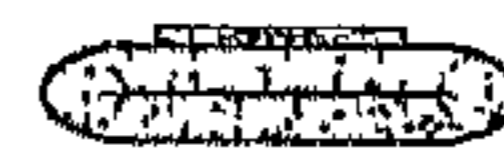


Fig. 7

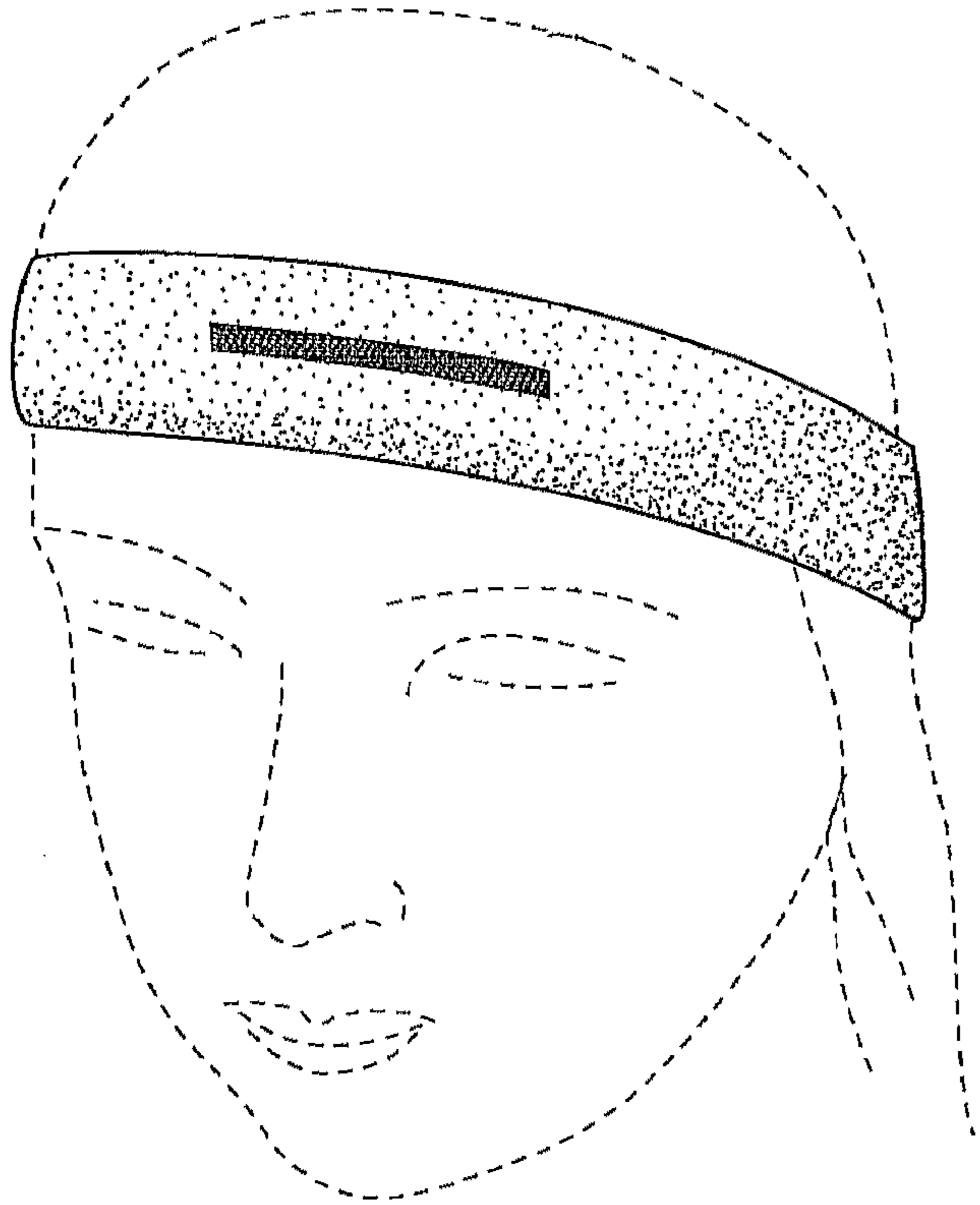


Fig. 8

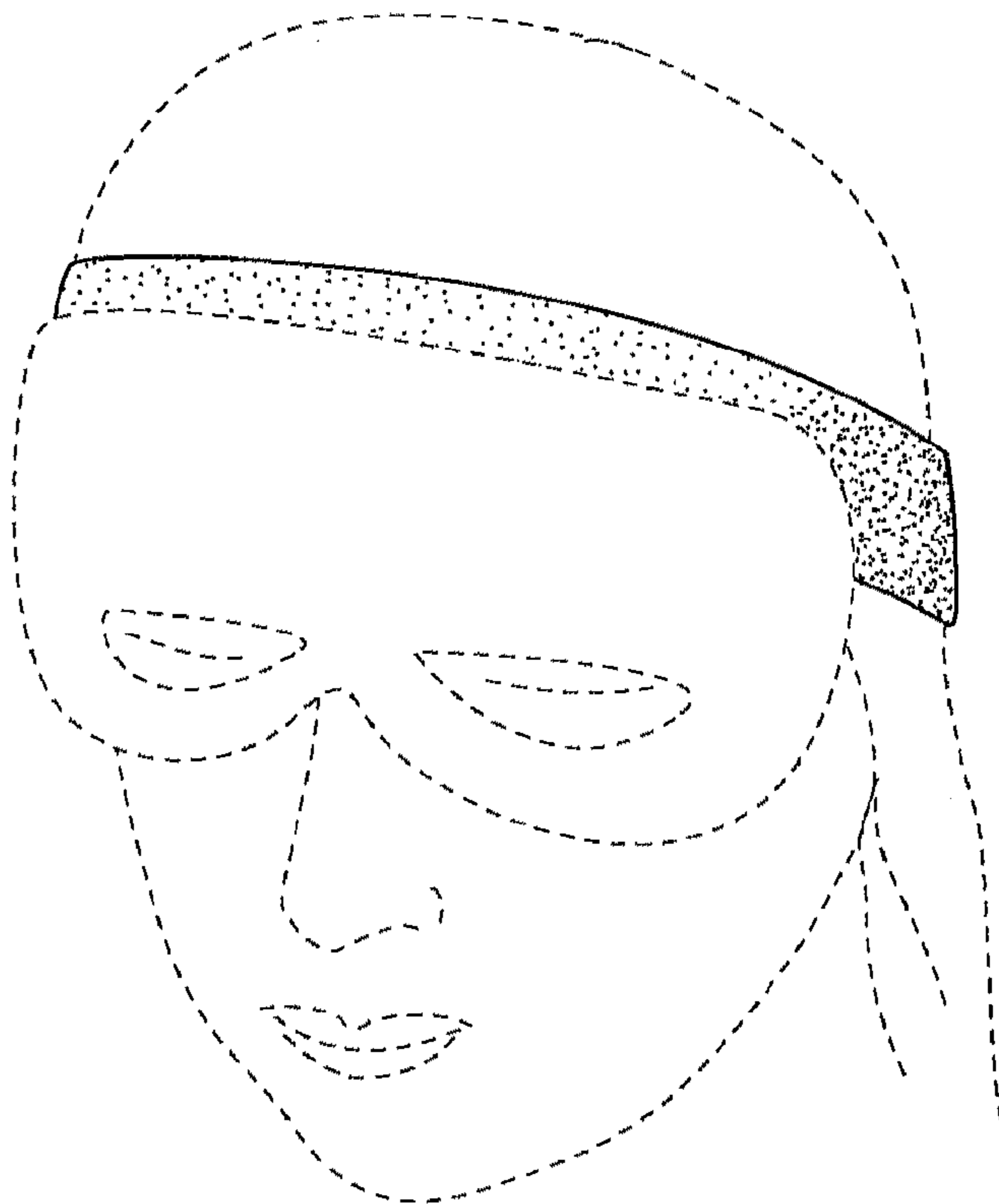


Fig. 9