

US00D669630S

(12) **United States Design Patent**  
**Yu**

(10) **Patent No.:** **US D669,630 S**

(45) **Date of Patent:** **\*\* Oct. 23, 2012**

(54) **DUAL SQUARE ARM LUMINAIRE**

(76) Inventor: **Scott S. Yu**, Mill Valley, CA (US)

(\*\*) Term: **14 Years**

(21) Appl. No.: **29/414,551**

(22) Filed: **Feb. 29, 2012**

**Related U.S. Application Data**

(62) Division of application No. 29/377,691, filed on Oct. 25, 2010, now Pat. No. Des. 657,906.

(51) **LOC (9) Cl.** ..... **26-99**

(52) **U.S. Cl.** ..... **D26/155**

(58) **Field of Classification Search** ..... D26/113,  
D26/71, 74, 75, 76, 118, 119, 120, 121, 122,  
D26/128, 64, 65, 72, 24, 138, 61, 62, 63,  
D26/139, 141, 142, 144, 145, 154, 155, 28,  
D26/25, 26, 2, 143, 68, 153, 152, 140; 362/264,  
362/249.01-249.11, 294, 652, 373, 640,  
362/223, 240, 260, 225, 427; D13/179, 180,  
D13/162, 110; D25/124, 119, 125, 126,  
D25/118; D23/207, 221, 266, 263, 241,  
D23/255

See application file for complete search history.

(56) **References Cited**

**U.S. PATENT DOCUMENTS**

|           |     |         |                |           |
|-----------|-----|---------|----------------|-----------|
| 689,387   | A * | 12/1901 | Crossland      | 52/848    |
| 1,326,078 | A * | 12/1919 | Matthews       | 285/123.3 |
| 1,437,937 | A * | 12/1922 | Gray           | 285/133.6 |
| D147,900  | S * | 11/1947 | Fanelli        | D26/60    |
| 2,486,437 | A * | 11/1949 | Ryder          | 108/67    |
| D166,986  | S * | 6/1952  | Lordo          | D26/64    |
| 3,270,480 | A * | 9/1966  | Beecker        | 52/848    |
| D222,810  | S * | 1/1972  | Husby          | D26/68    |
| D240,131  | S * | 6/1976  | Dwyer          | D23/263   |
| 3,997,776 | A * | 12/1976 | Ruud           | 362/127   |
| 4,121,280 | A * | 10/1978 | Chapman et al. | 362/418   |
| D285,009  | S * | 8/1986  | Diffrient      | D26/66    |
| 4,712,165 | A * | 12/1987 | Cetrone        | 362/147   |
| D303,580  | S * | 9/1989  | Kyricos        | D26/65    |
| 4,931,917 | A * | 6/1990  | Scherf et al.  | 362/371   |

|           |      |         |               |           |
|-----------|------|---------|---------------|-----------|
| 5,007,666 | A *  | 4/1991  | Kyfes         | 285/373   |
| D330,266  | S *  | 10/1992 | Lin           | D26/65    |
| D337,168  | S *  | 7/1993  | Gordin et al. | D25/127   |
| 5,266,738 | A *  | 11/1993 | MacVoy        | 174/45 R  |
| D353,911  | S *  | 12/1994 | Gordin et al. | D26/138   |
| 5,421,273 | A *  | 6/1995  | Lin           | 108/187   |
| D373,002  | S *  | 8/1996  | Porter        | D26/81    |
| D375,540  | S *  | 11/1996 | McDonald      | D23/207   |
| 6,039,457 | A *  | 3/2000  | O'Neal        | 362/388   |
| 6,142,453 | A *  | 11/2000 | Martin        | 256/65.05 |
| D440,638  | S *  | 4/2001  | Lefroy-Brooks | D23/255   |
| D442,309  | S *  | 5/2001  | Miller et al. | D26/63    |
| D493,568  | S *  | 7/2004  | Parres        | D26/143   |
| 6,866,396 | B2 * | 3/2005  | Ward          | 362/220   |
| D556,355  | S *  | 11/2007 | Foster        | D26/63    |
| D558,389  | S *  | 12/2007 | Chandler      | D26/142   |
| D564,692  | S *  | 3/2008  | Pfund         | D26/72    |
| D574,990  | S *  | 8/2008  | Tsai          | D26/63    |

(Continued)

*Primary Examiner* — Kevin Rudzinski

(74) *Attorney, Agent, or Firm* — Antero & Tormey LLP;  
Richard Moerschell; Pete Tormey

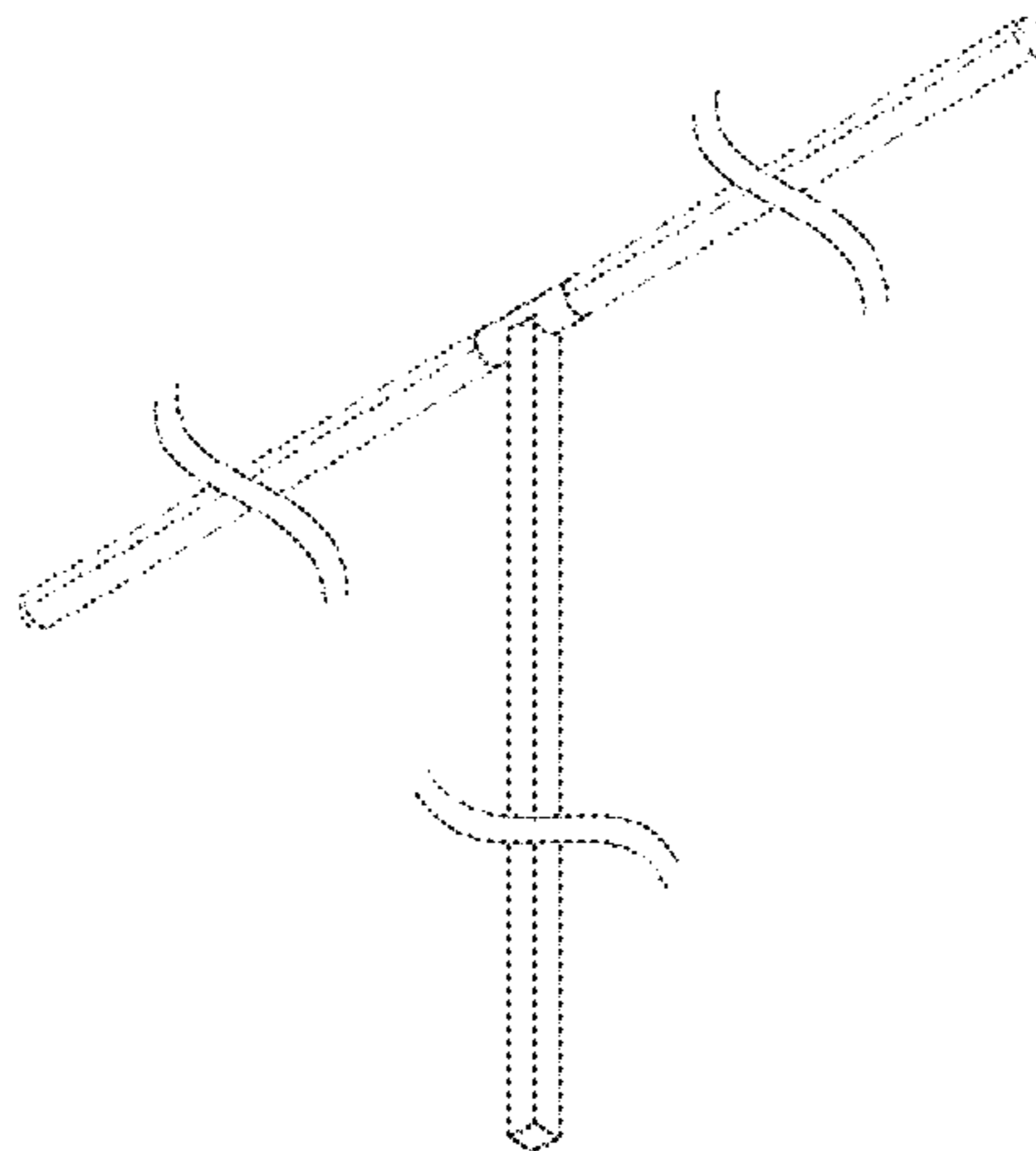
(57) **CLAIM**

I claim the ornamental design of a dual square arm luminaire, as shown and described.

**DESCRIPTION**

FIG. 1 is a perspective view of a dual square arm luminaire according to the present disclosure; FIG. 2 is an enlarged right side view thereof; FIG. 3 is an enlarged left side view thereof; FIG. 4 is a front view thereof; FIG. 5 is a back view thereof; FIG. 6 is an enlarged top view thereof; FIG. 7 is an enlarged bottom view thereof; and, FIG. 8 is an alternative perspective view thereof. The claimed design is shown in solid, relatively broad lines. The broken lines in the Figures show environmental structure only and form no part of the claimed invention. The design is shown broken away to indicate that the design is of no specific length or height.

**1 Claim, 8 Drawing Sheets**



# US D669,630 S

Page 2

---

## U.S. PATENT DOCUMENTS

|                |         |               |           |                   |        |                  |         |
|----------------|---------|---------------|-----------|-------------------|--------|------------------|---------|
| D580,082 S *   | 11/2008 | Zemar .....   | D26/63    | D652,567 S *      | 1/2012 | Kitts .....      | D26/138 |
| 7,500,654 B2 * | 3/2009  | Rosaen .....  | 256/65.14 | D656,225 S *      | 3/2012 | Dole et al. .... | D23/263 |
| D590,091 S *   | 4/2009  | Starck .....  | D26/93    | D657,905 S *      | 4/2012 | Yu .....         | D26/138 |
| D610,536 S *   | 2/2010  | Brumels ..... | D13/102   | D657,906 S *      | 4/2012 | Yu .....         | D26/138 |
| D625,873 S *   | 10/2010 | Prazak .....  | D26/65    | 2006/0203489 A1 * | 9/2006 | Chen .....       | 362/253 |

\* cited by examiner

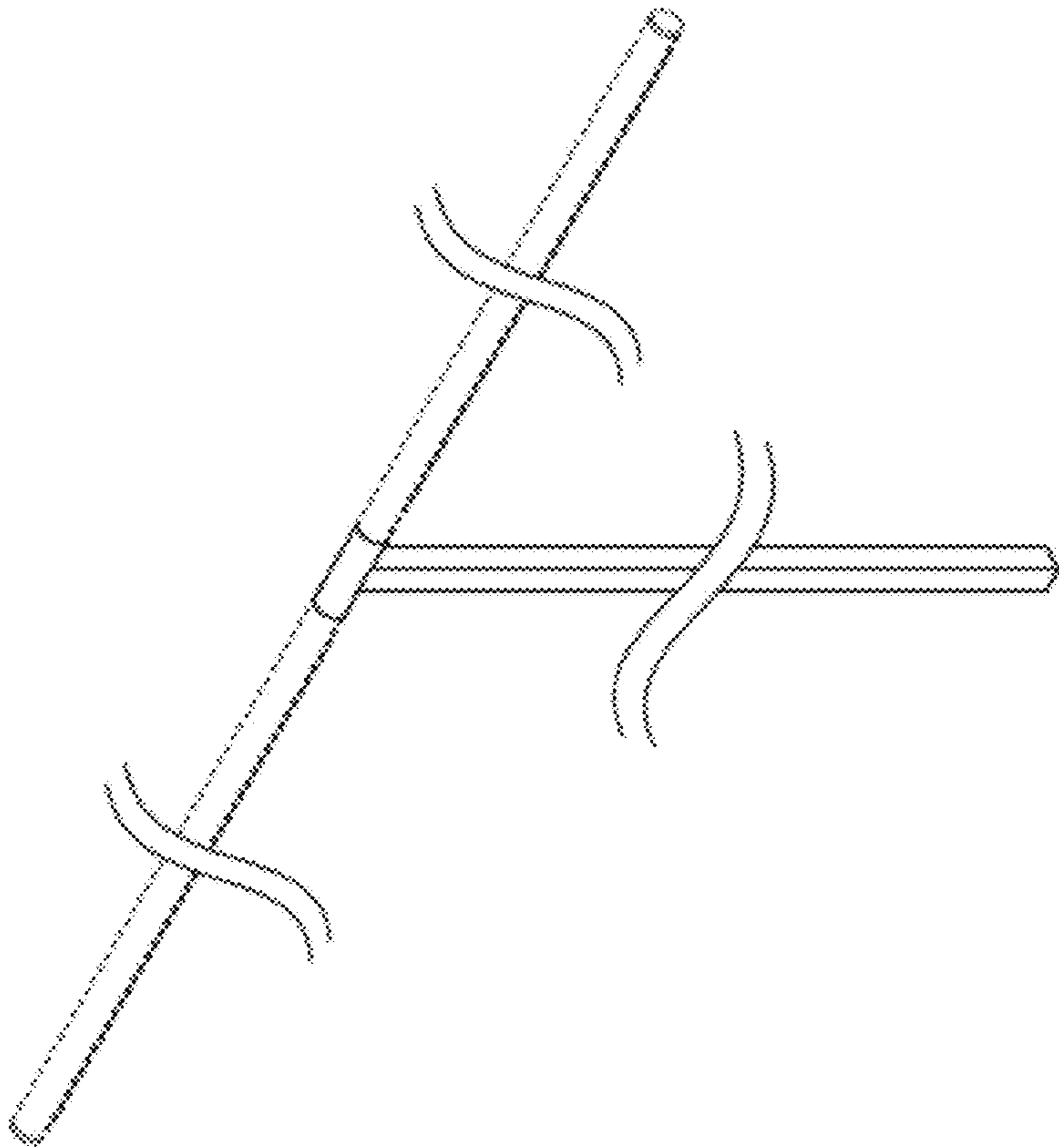


Figure 1

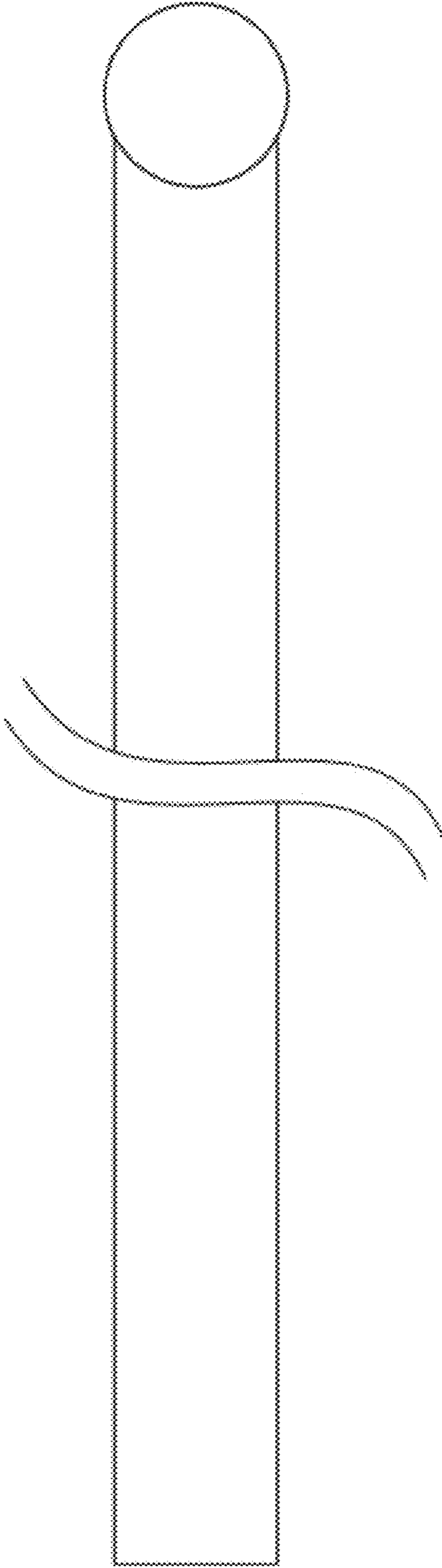


Figure 2

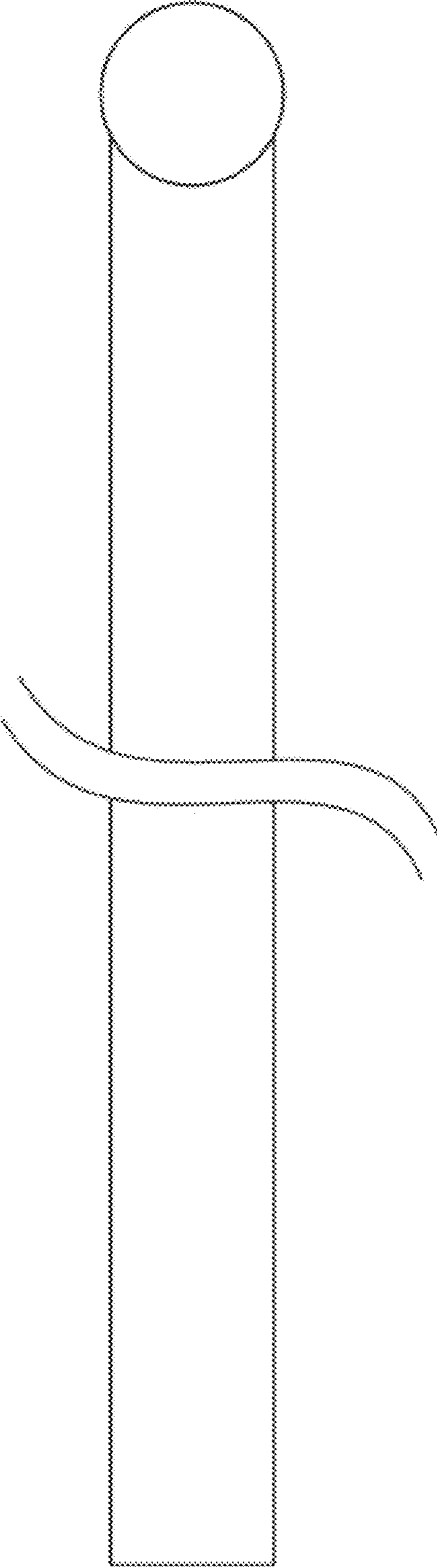


Figure 3

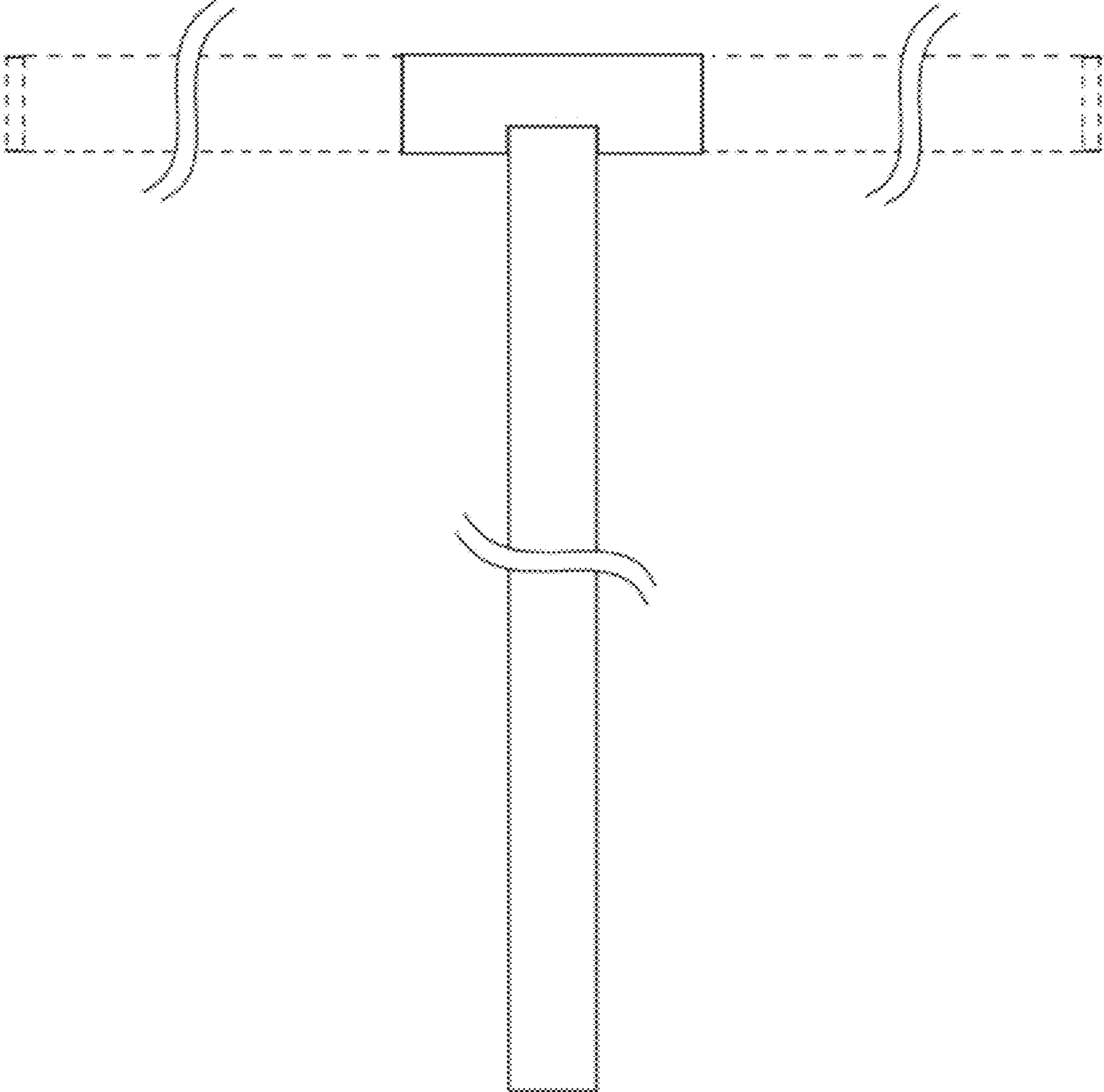


Figure 4

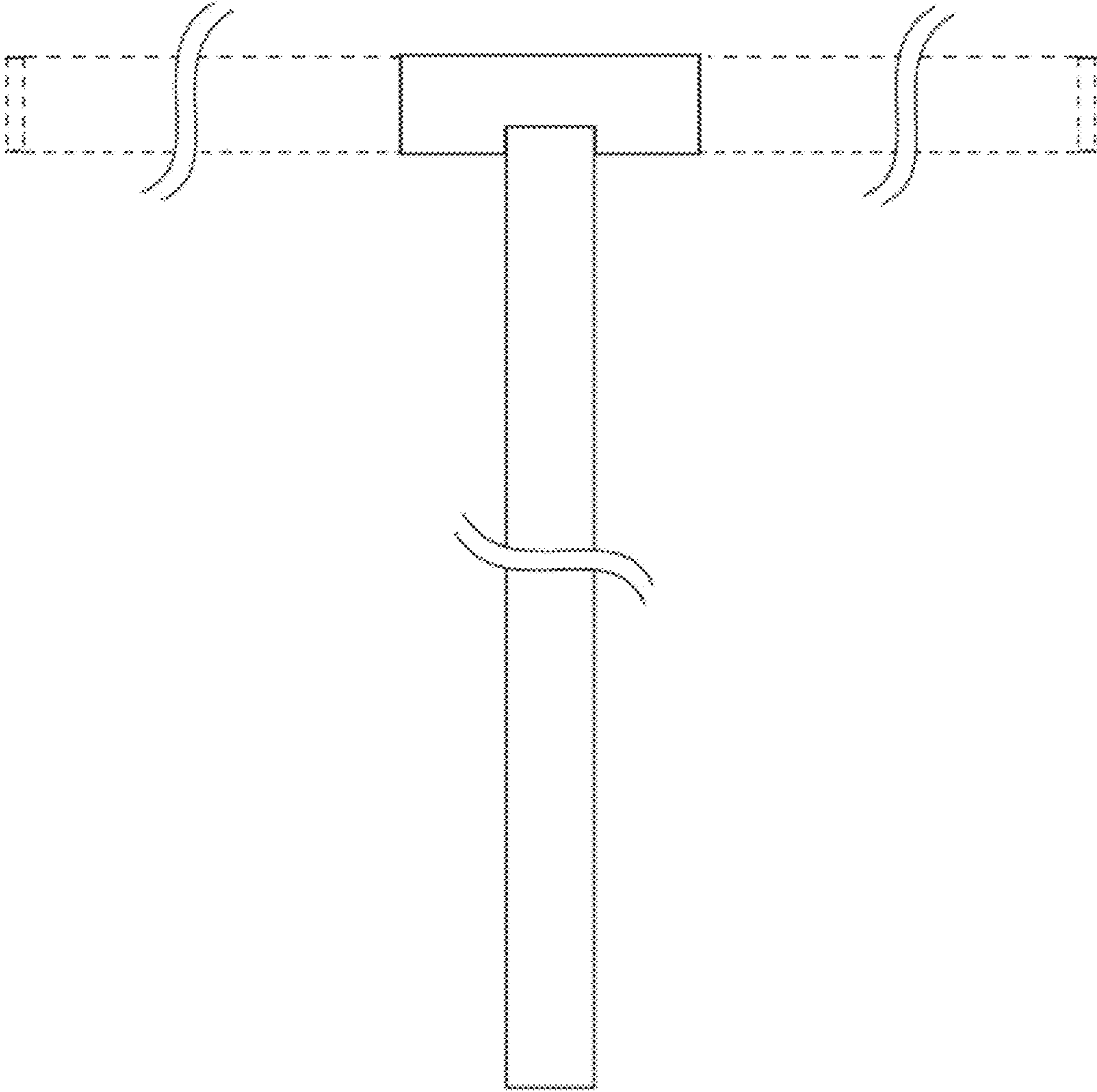


Figure 5

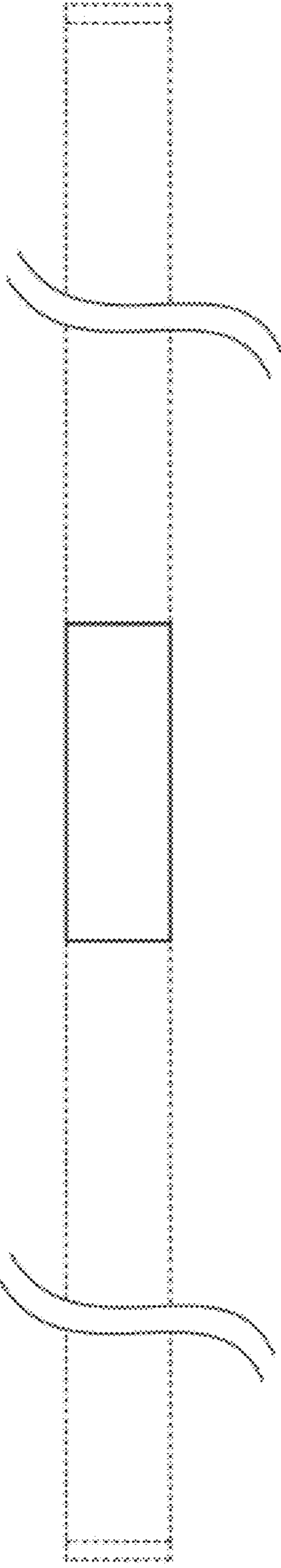


Figure 6



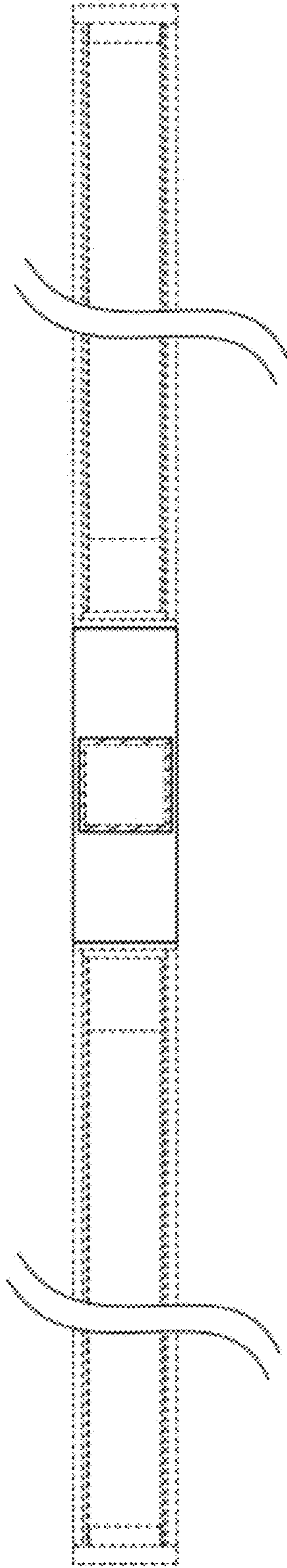


Figure 7

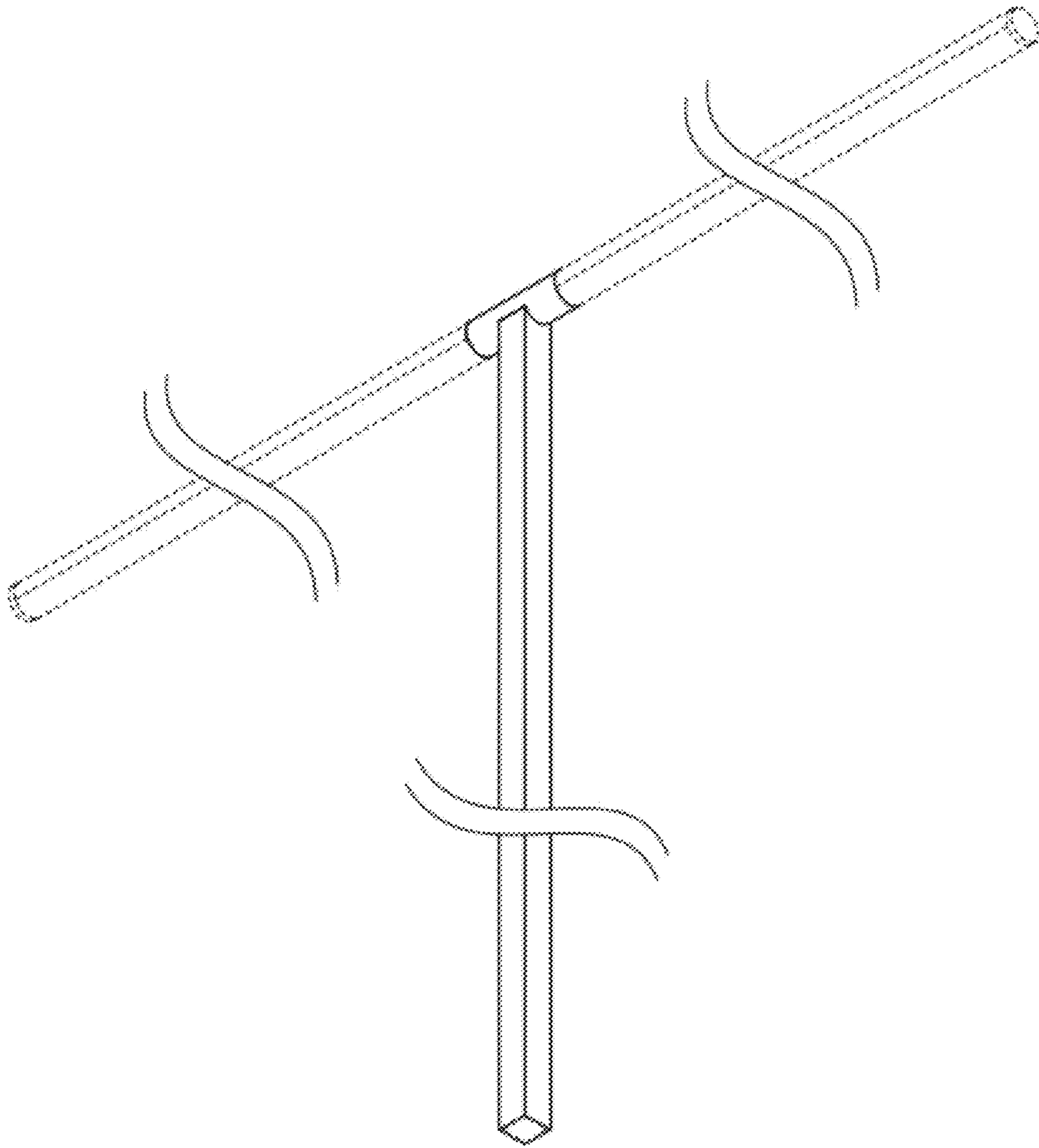


Figure 8