



US00D669629S

(12) **United States Design Patent**
Yu

(10) **Patent No.:** **US D669,629 S**
(45) **Date of Patent:** **** Oct. 23, 2012**

- (54) **DUAL ROUND ARM LUMINAIRE**
- (76) Inventor: **Scott S. Yu**, Mill Valley, CA (US)
- (**) Term: **14 Years**
- (21) Appl. No.: **29/414,549**
- (22) Filed: **Feb. 29, 2012**

Related U.S. Application Data

- (62) Division of application No. 29/376,906, filed on Oct. 13, 2010, now Pat. No. Des. 657,905.
- (51) **LOC (9) Cl.** **26-99**
- (52) **U.S. Cl.** **D26/155**
- (58) **Field of Classification Search** D26/113,
D26/71, 74, 75, 76, 118, 119, 120, 121, 122,
D26/128, 64, 65, 72, 24, 138, 61, 62, 63,
D26/139, 141, 142, 144, 145, 154, 155, 28,
D26/25, 26, 2, 143, 68, 153, 152, 140; 362/264,
362/249.01-249.11, 294, 652, 373, 640,
362/223, 240, 260, 225, 427; D13/179, 180,
D13/162, 110; D25/124, 119, 125, 126,
D25/118; D23/207, 221, 266, 263, 241,
D23/255

See application file for complete search history.

(56) **References Cited**

U.S. PATENT DOCUMENTS

- 689,387 A * 12/1901 Crossland 52/848
- 1,326,078 A * 12/1919 Matthews 285/123.3
- 1,437,937 A * 12/1922 Gray 285/133.6
- D147,900 S * 11/1947 Fanelli D26/60
- 2,486,437 A * 11/1949 Ryder 108/67
- D166,986 S * 6/1952 Lordo D26/64
- 3,270,480 A * 9/1966 Beecker 52/848
- D222,810 S * 1/1972 Husby D26/68
- D240,131 S * 6/1976 Dwyer D23/263
- 3,997,776 A * 12/1976 Ruud 362/127
- 4,121,280 A * 10/1978 Chapman et al. 362/418
- D285,009 S * 8/1986 Diffrient D26/66
- 4,712,165 A * 12/1987 Cetrone 362/147
- D303,580 S * 9/1989 Kyricos D26/65

- 4,931,917 A * 6/1990 Scherf et al. 362/371
- 5,007,666 A * 4/1991 Kyfes 285/373
- D330,266 S * 10/1992 Lin D26/65
- D337,168 S * 7/1993 Gordin et al. D25/127
- 5,266,738 A * 11/1993 MacVoy 174/45 R
- D353,911 S * 12/1994 Gordin et al. D26/138
- 5,421,273 A * 6/1995 Lin 108/187
- D373,002 S * 8/1996 Porter D26/81
- D375,540 S * 11/1996 McDonald D23/207
- 6,039,457 A * 3/2000 O'Neal 362/388
- 6,142,453 A * 11/2000 Martin 256/65.05
- D440,638 S * 4/2001 Lefroy-Brooks D23/255
- D442,309 S * 5/2001 Miller et al. D26/63
- D493,568 S * 7/2004 Parres D26/143
- 6,866,396 B2 * 3/2005 Ward 362/220
- D556,355 S * 11/2007 Foster D26/63
- D558,389 S * 12/2007 Chandler D26/142
- D564,692 S * 3/2008 Pfund D26/72
- D574,990 S * 8/2008 Tsai D26/63

(Continued)

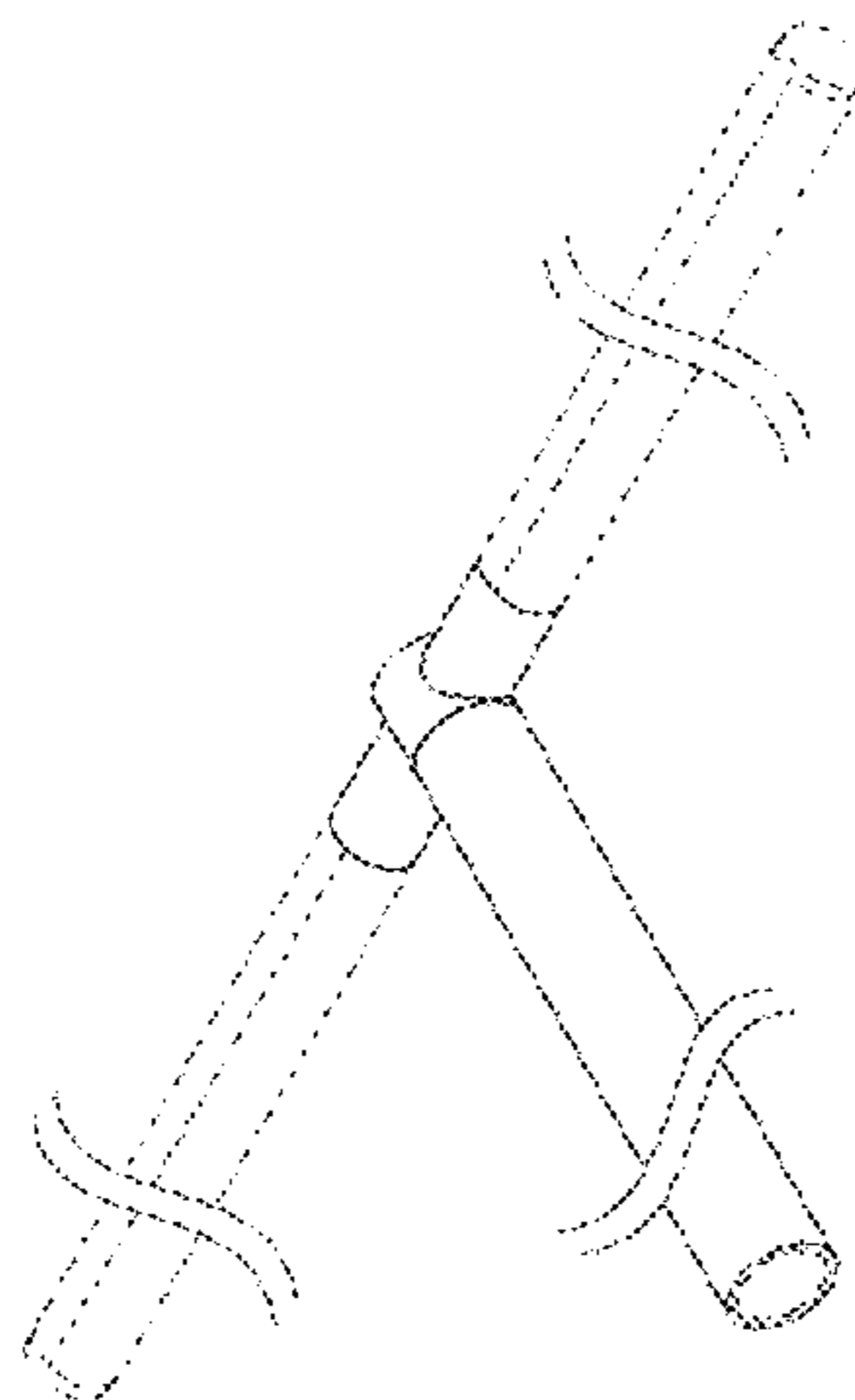
Primary Examiner — Kevin Rudzinski
(74) *Attorney, Agent, or Firm* — Antero & Tormey LLP;
Richard Moerschell; Pete Tormey

(57) **CLAIM**
The ornamental design of a dual round arm luminaire, as shown and described.

DESCRIPTION

FIG. 1 is a perspective view of a dual round arm luminaire; FIG. 2 is an enlarged right side view thereof; FIG. 3 is an enlarged left side view thereof; FIG. 4 is a front view thereof; FIG. 5 is a back view thereof; FIG. 6 is an enlarged top view thereof; FIG. 7 is an enlarged bottom view thereof; and, FIG. 8 is an alternative perspective view thereof. The claimed design is shown in solid, relatively broad lines. The broken lines in the Figures show environmental structure only and form no part of the claimed invention. The design is shown broken away to indicate that the design is of no specific length or height.

1 Claim, 8 Drawing Sheets



US D669,629 S

Page 2

U.S. PATENT DOCUMENTS

| | | | | | | | | | |
|--------------|----|---|---------|-------------|-------|-----------|--|--|--|
| D580,082 | S | * | 11/2008 | Zemar | | D26/63 | | | |
| 7,500,654 | B2 | * | 3/2009 | Rosaen | | 256/65.14 | | | |
| D590,091 | S | * | 4/2009 | Starck | | D26/93 | | | |
| D610,536 | S | * | 2/2010 | Brumels | | D13/102 | | | |
| D625,873 | S | * | 10/2010 | Prazak | | D26/65 | | | |
| D652,567 | S | * | 1/2012 | Kitts | | D26/138 | | | |
| D656,225 | S | * | 3/2012 | Dole et al. | | D23/263 | | | |
| D657,905 | S | * | 4/2012 | Yu | | D26/138 | | | |
| D657,906 | S | * | 4/2012 | Yu | | D26/138 | | | |
| 2006/0203489 | A1 | * | 9/2006 | Chen | | 362/253 | | | |

* cited by examiner

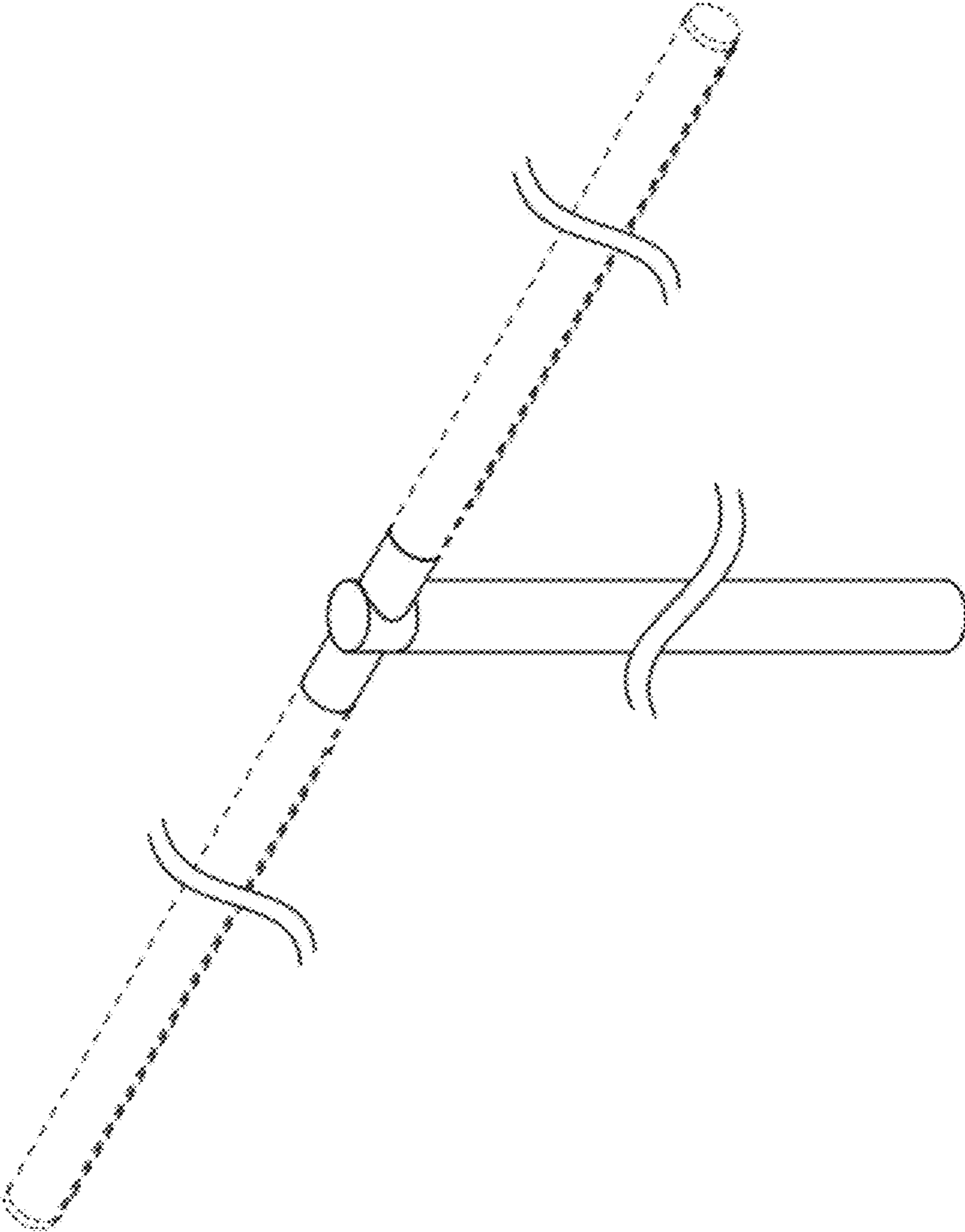


Figure 1

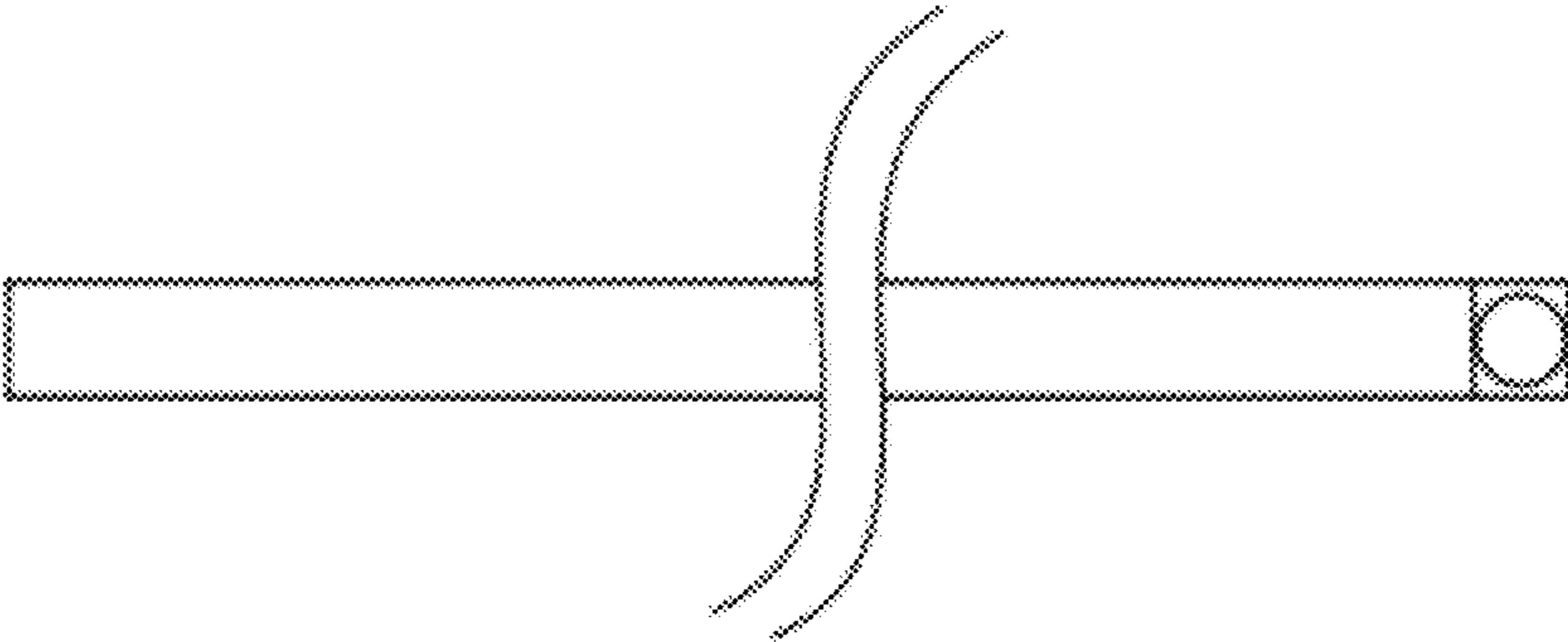


Figure 2

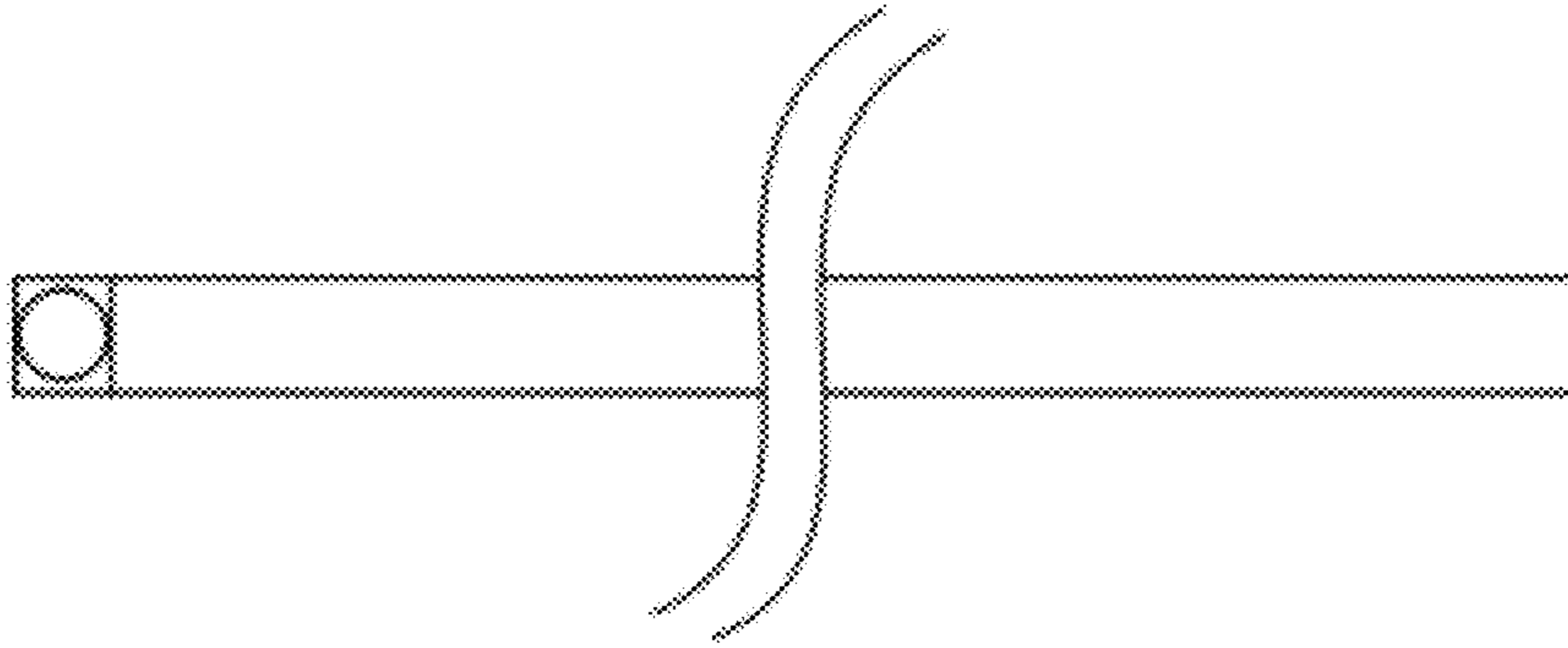


Figure 3

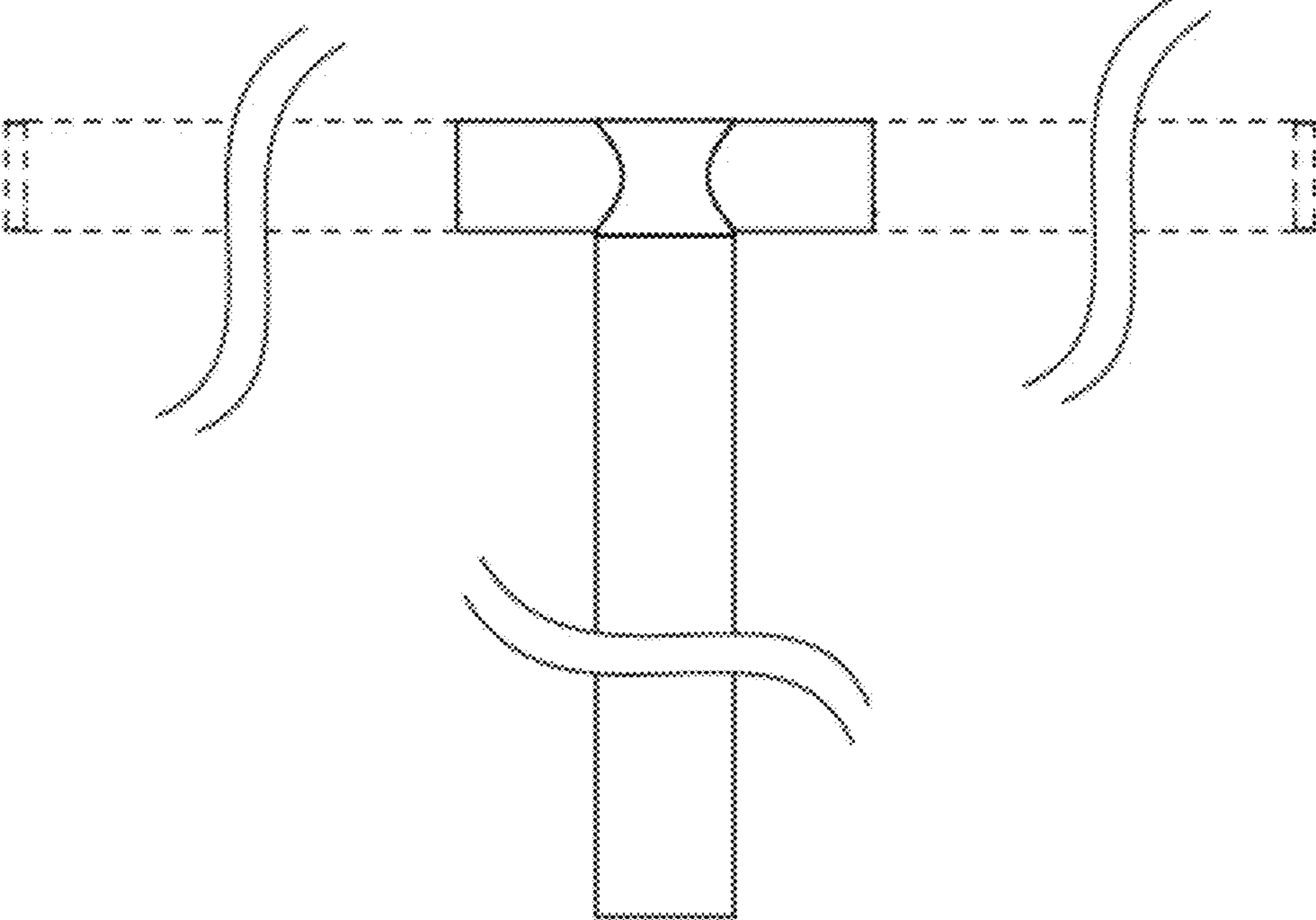


Figure 4

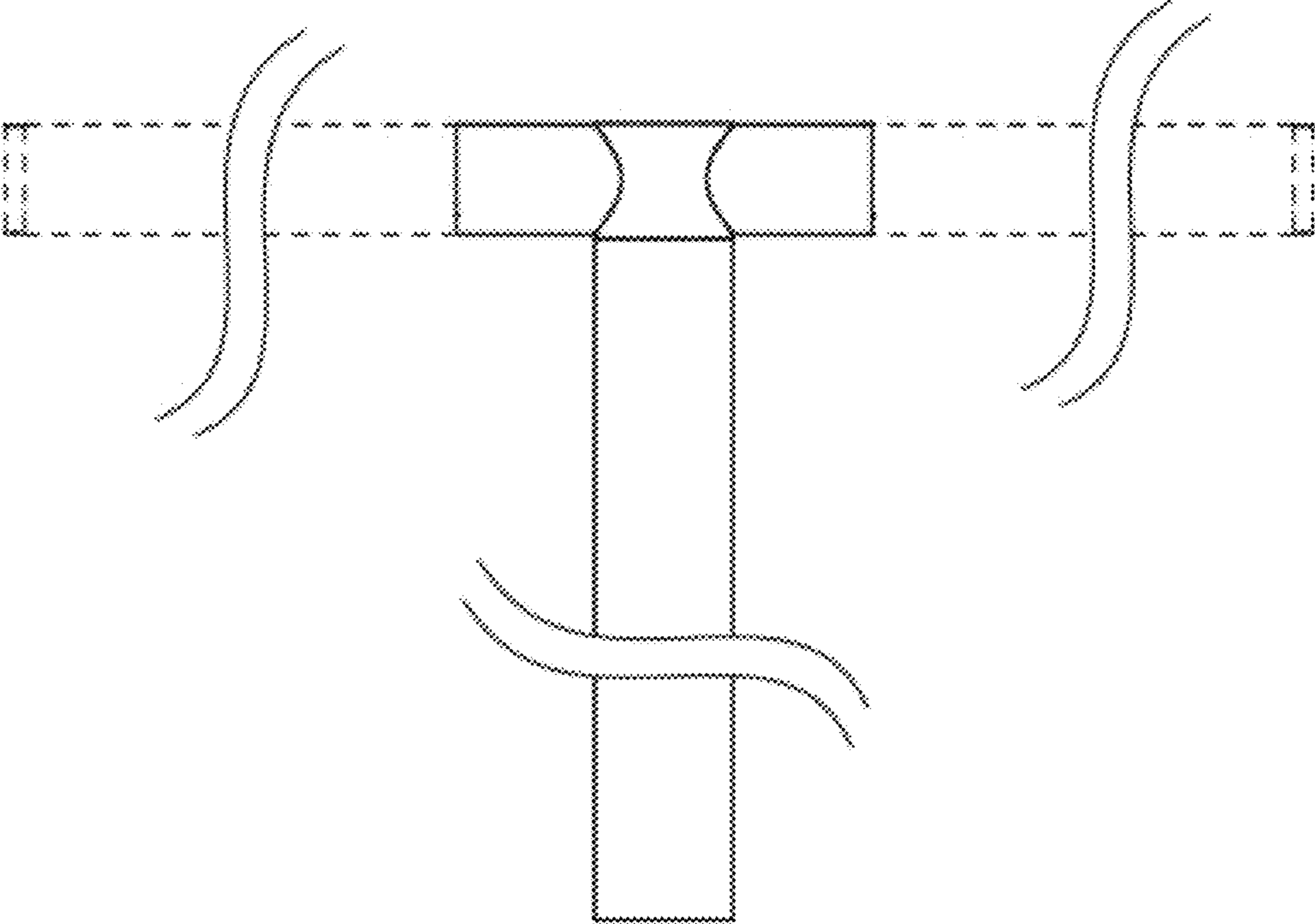


Figure 5

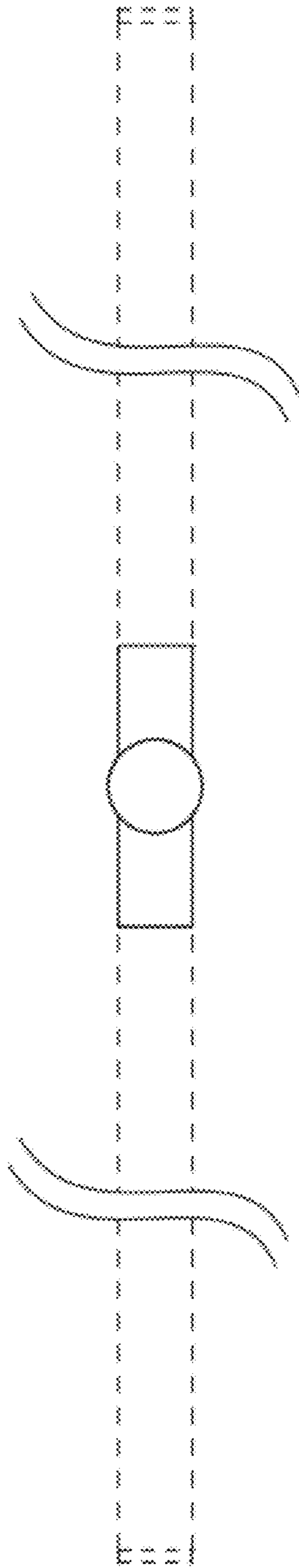


Figure 6

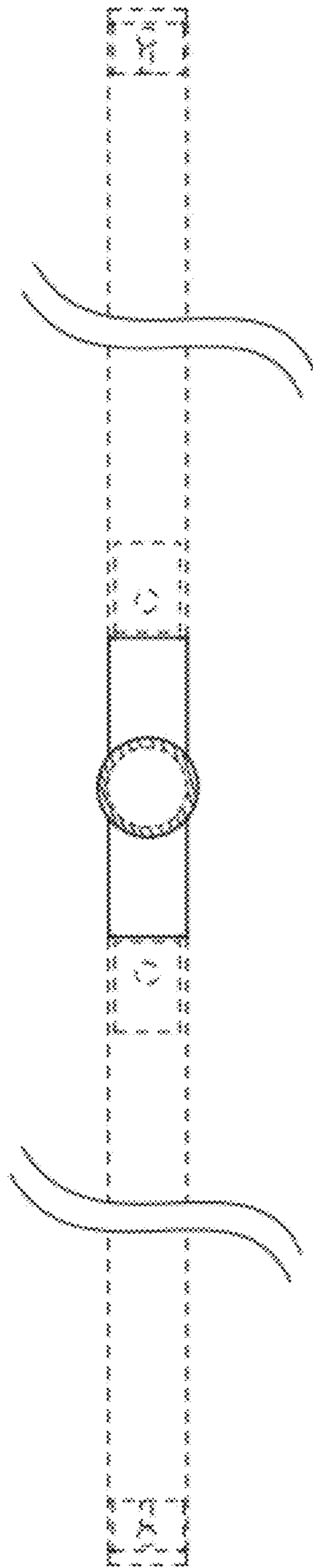


Figure 7

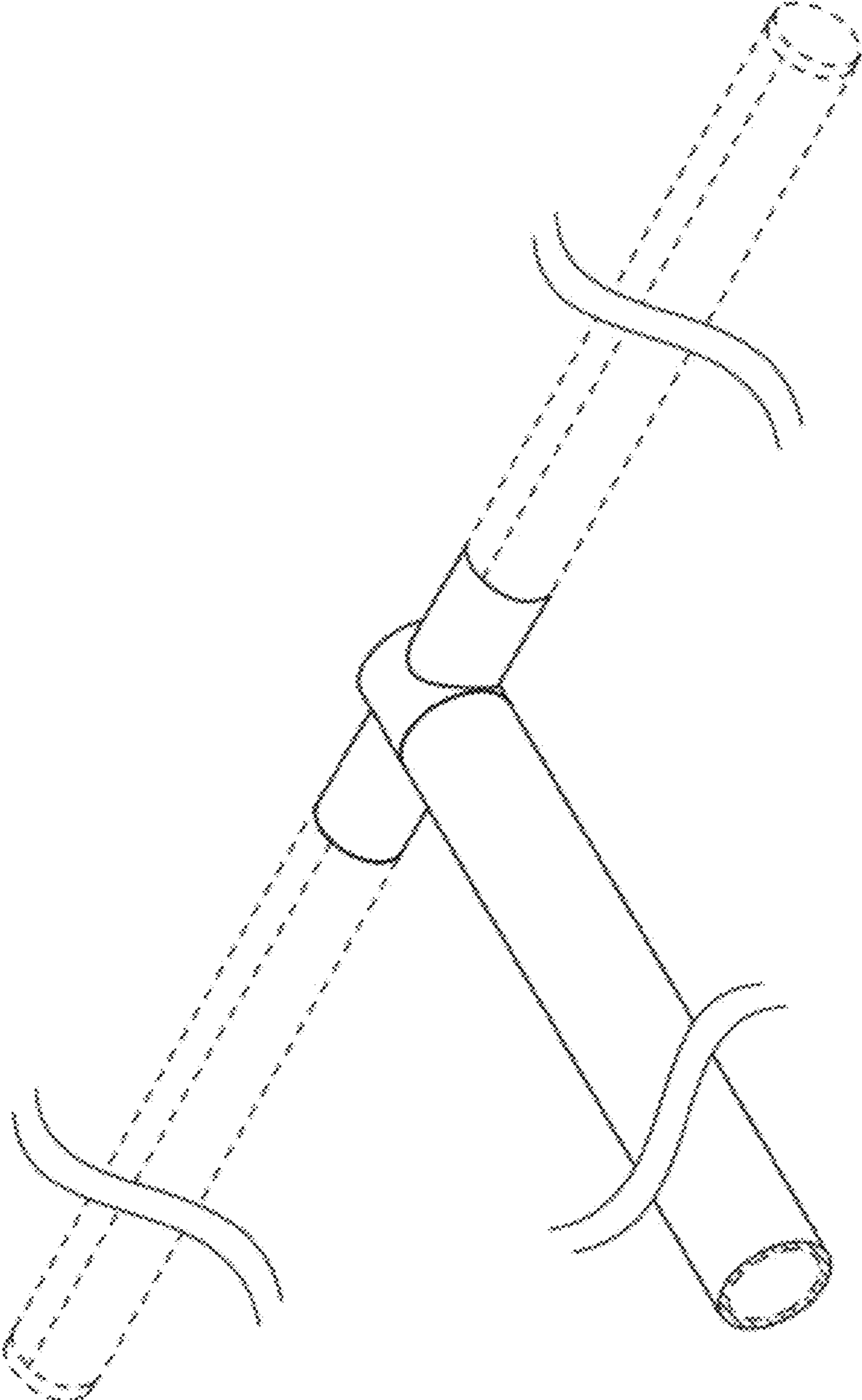


Figure 8