

US00D669628S

(12) **United States Design Patent**
Huang

(10) **Patent No.:** **US D669,628 S**

(45) **Date of Patent:** **** Oct. 23, 2012**

(54) **TABLE LAMP**

(76) Inventor: **Huo-Tu Huang**, New Taipei (TW)

(**) Term: **14 Years**

(21) Appl. No.: **29/409,186**

(22) Filed: **Dec. 21, 2011**

(51) **LOC (9) Cl.** **26-01**

(52) **U.S. Cl.** **D26/107**

(58) **Field of Classification Search** D26/24,
D26/61-67, 93, 102, 104-105, 107-109;
362/509, 516, 523, 186, 217, 255, 257, 277,
362/317, 319, 351, 354, 355, 357, 358, 362,
362/382, 410, 413, 417, 806

See application file for complete search history.

(56) **References Cited**

U.S. PATENT DOCUMENTS

D368,549 S * 4/1996 Huang D26/107
D500,156 S * 12/2004 Kao D26/61

D506,018 S * 6/2005 Campo D26/62
D588,737 S * 3/2009 Fu D26/63
D623,789 S * 9/2010 Chiu D26/65
D652,981 S * 1/2012 Kristiansen et al. D26/107

* cited by examiner

Primary Examiner — Brian N Vinson

(57) **CLAIM**

I claim the ornamental design for table lamp, as shown and described.

DESCRIPTION

FIG. 1. is a perspective view of table lamp showing my new design

FIG. 2. is a front elevational view thereof;

FIG. 3. is a rear elevational view thereof;

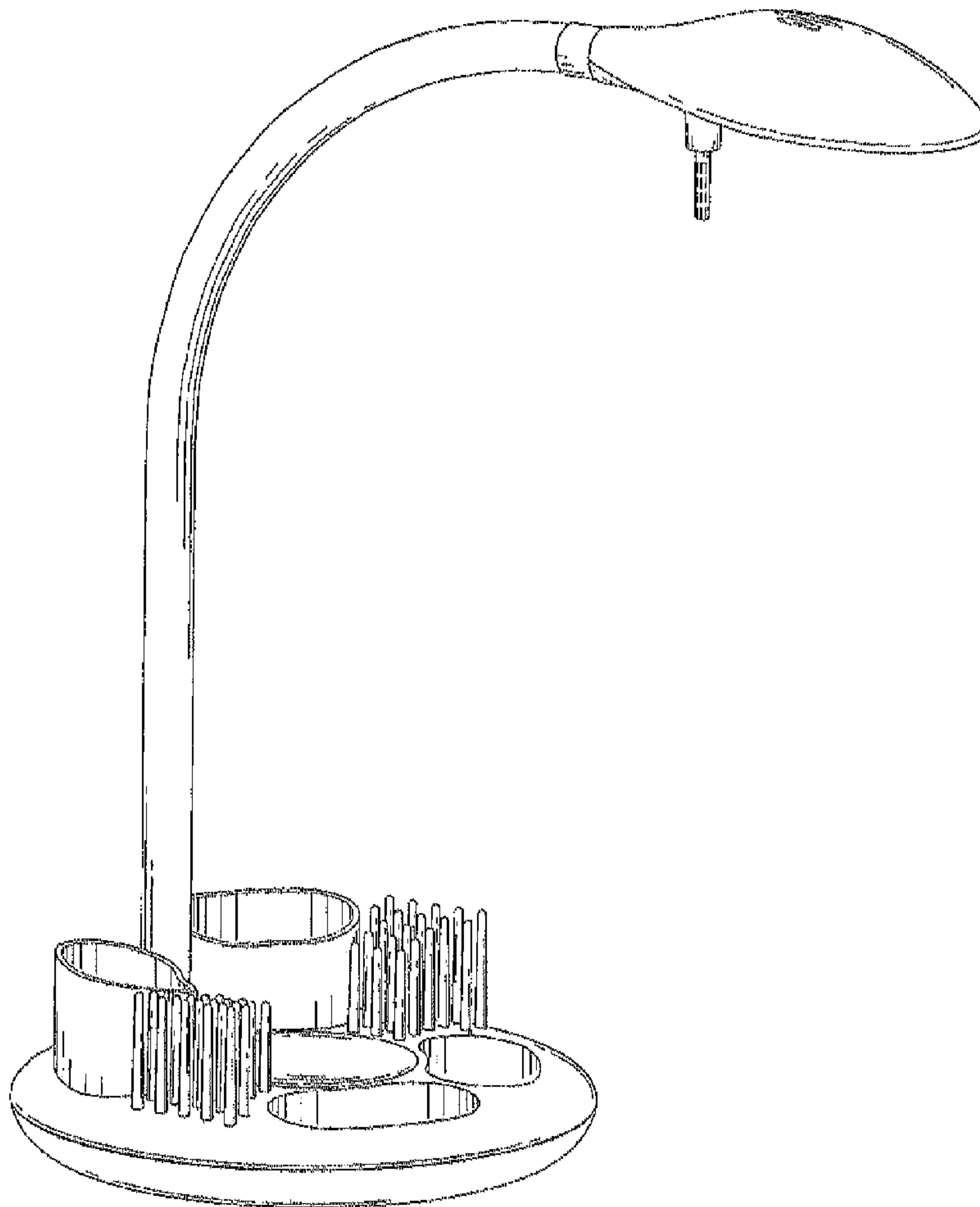
FIG. 4. is a left side elevational view thereof;

FIG. 5. is a right side elevational view thereof;

FIG. 6. is a top plan view thereof; and,

FIG. 7. is a bottom plan view thereof.

1 Claim, 6 Drawing Sheets



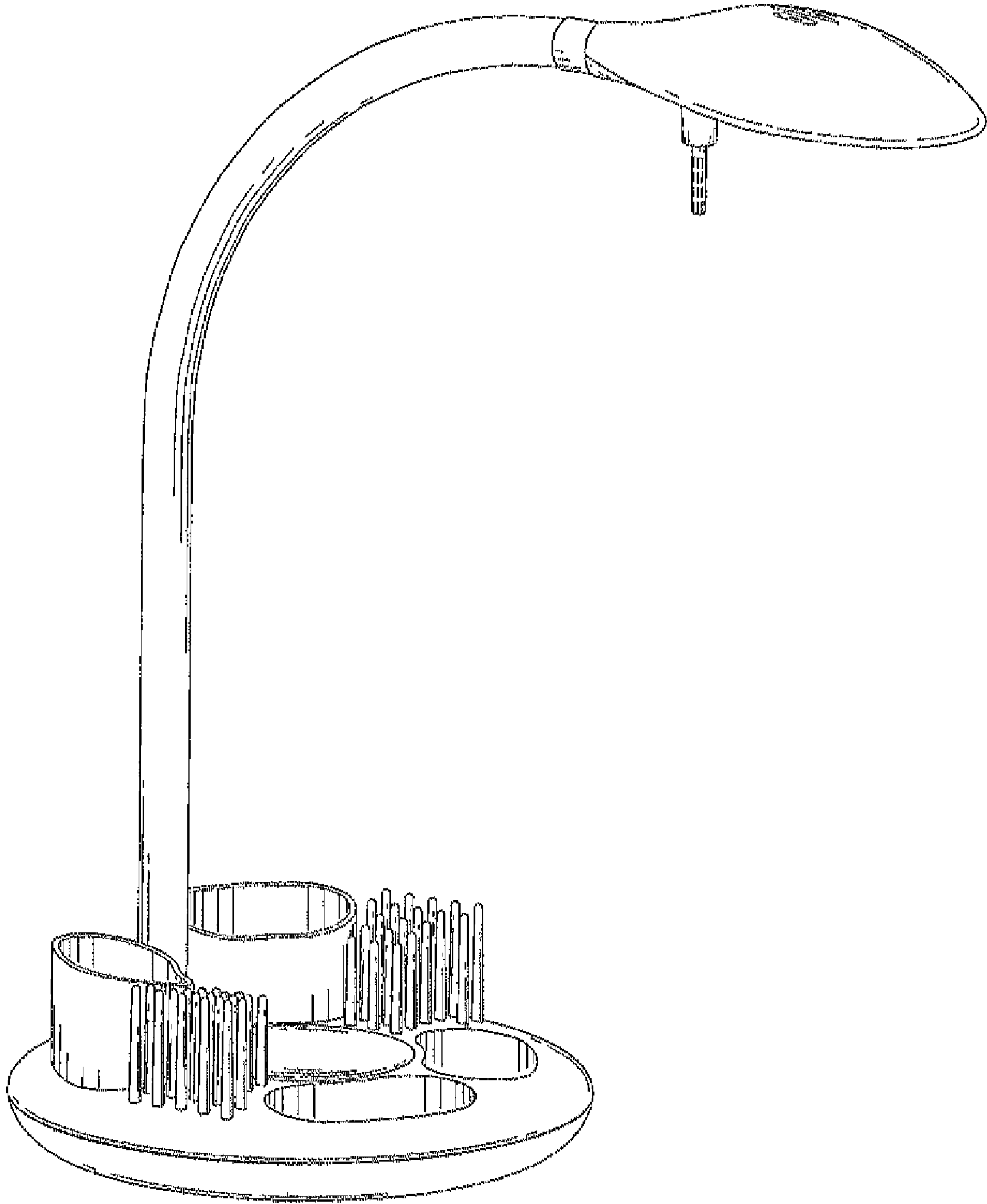


FIG. 1

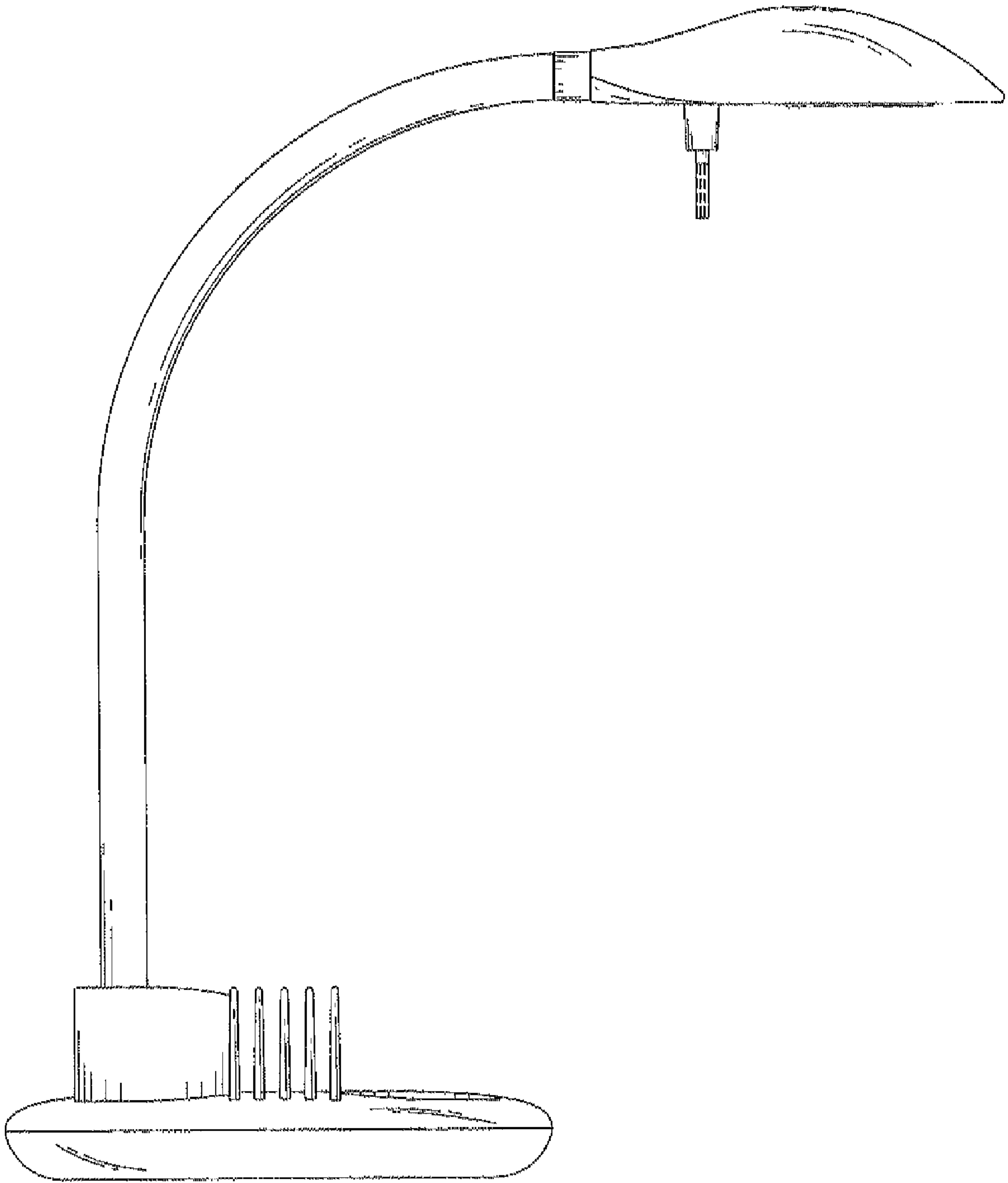


FIG. 2

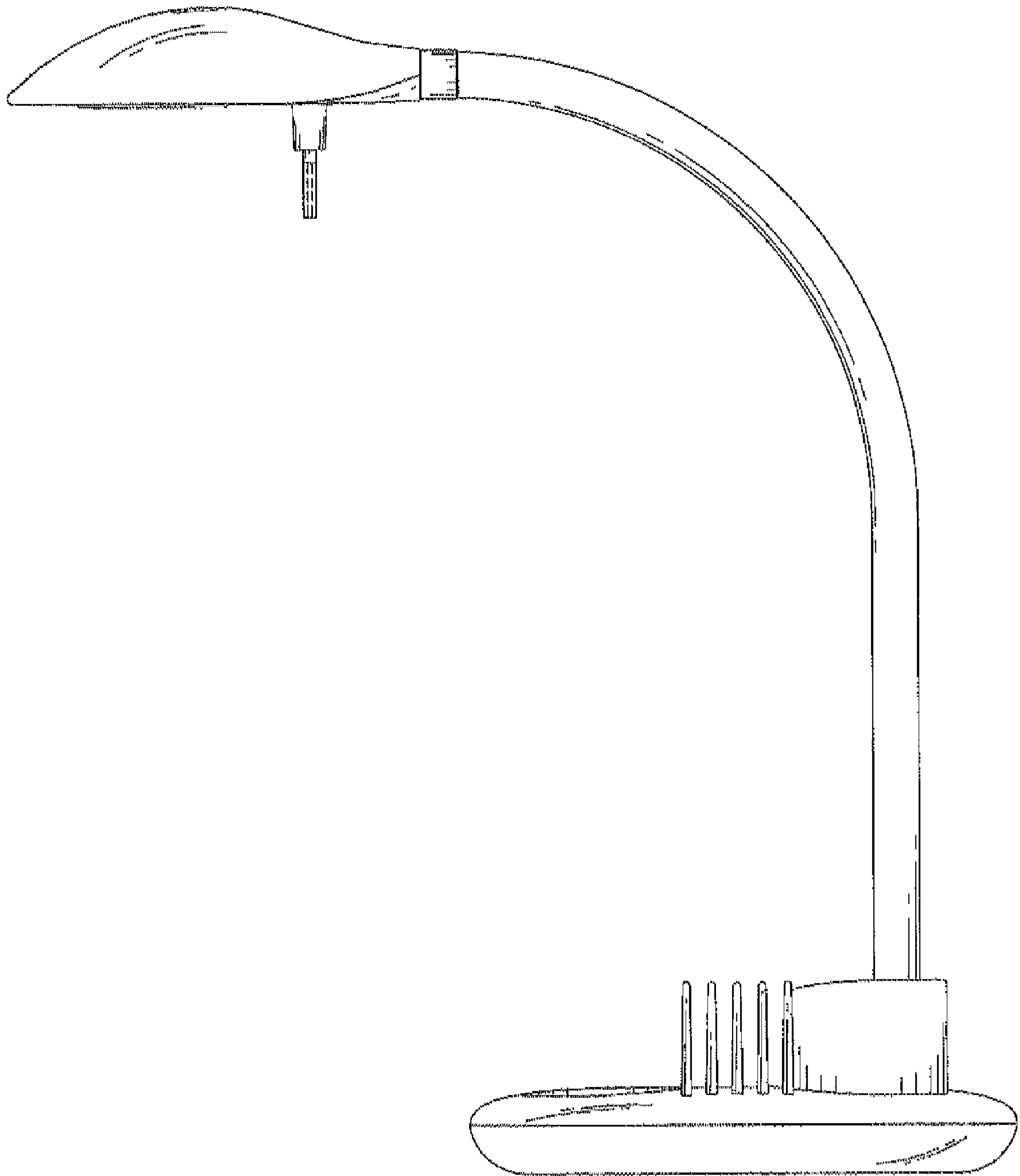


FIG. 3

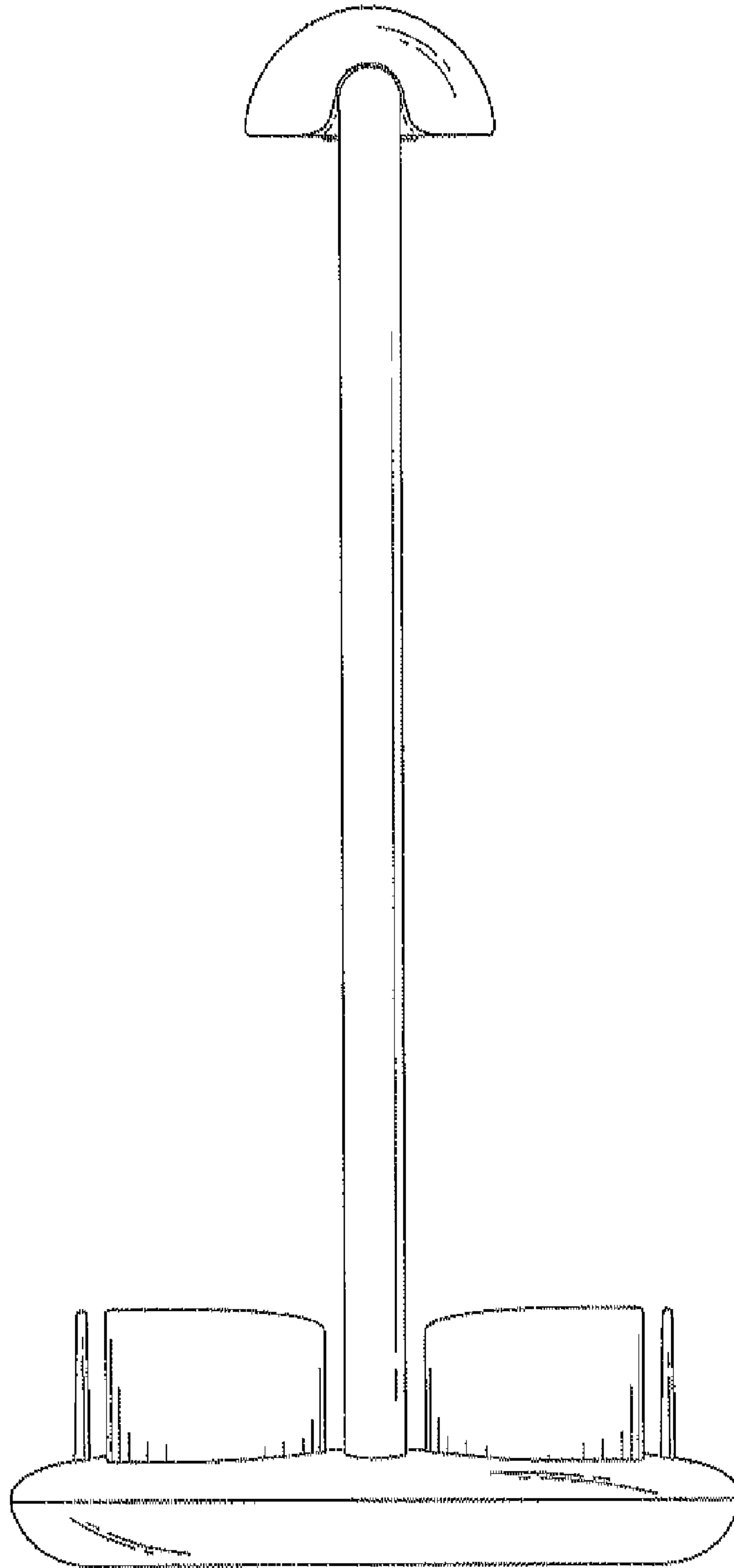


FIG. 4

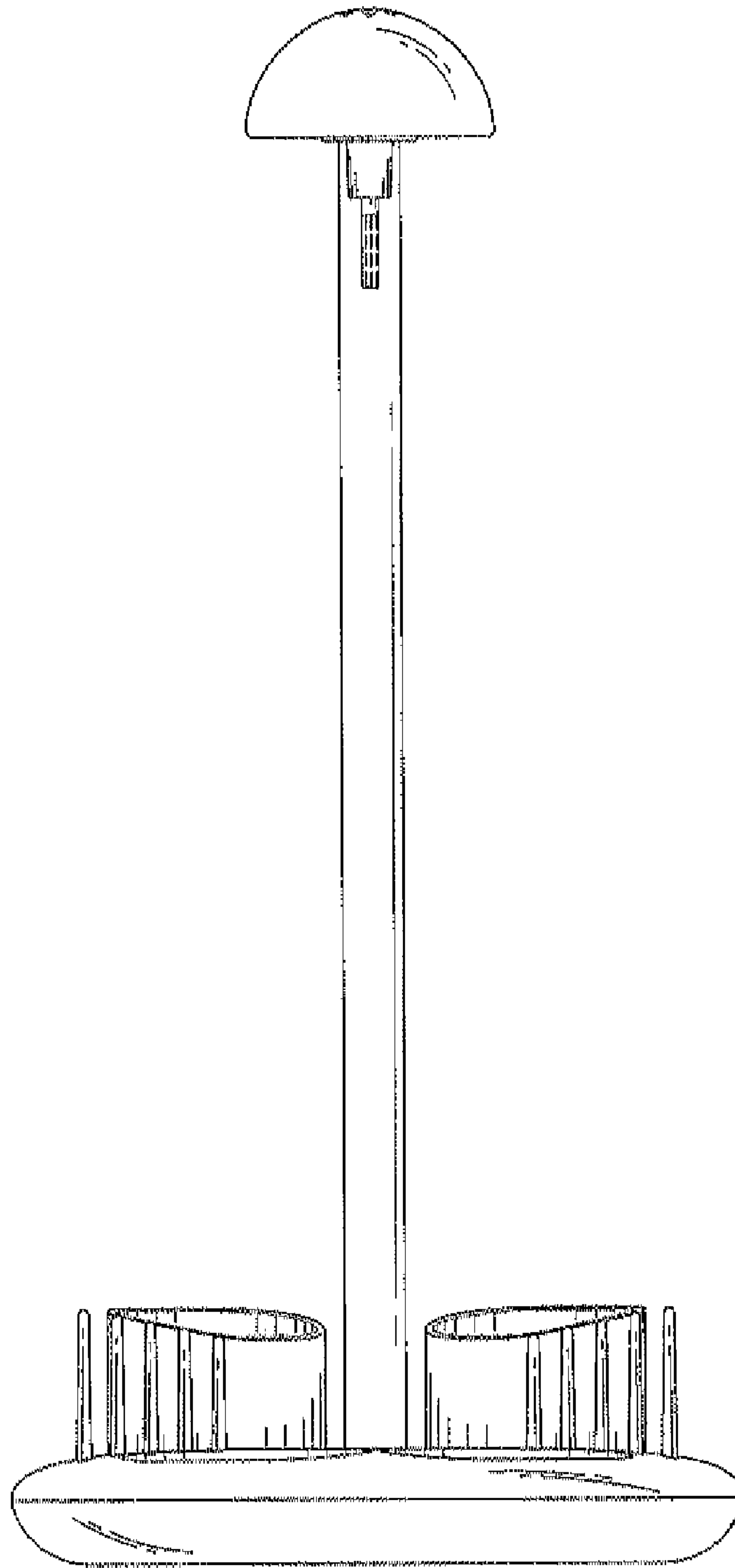


FIG. 5

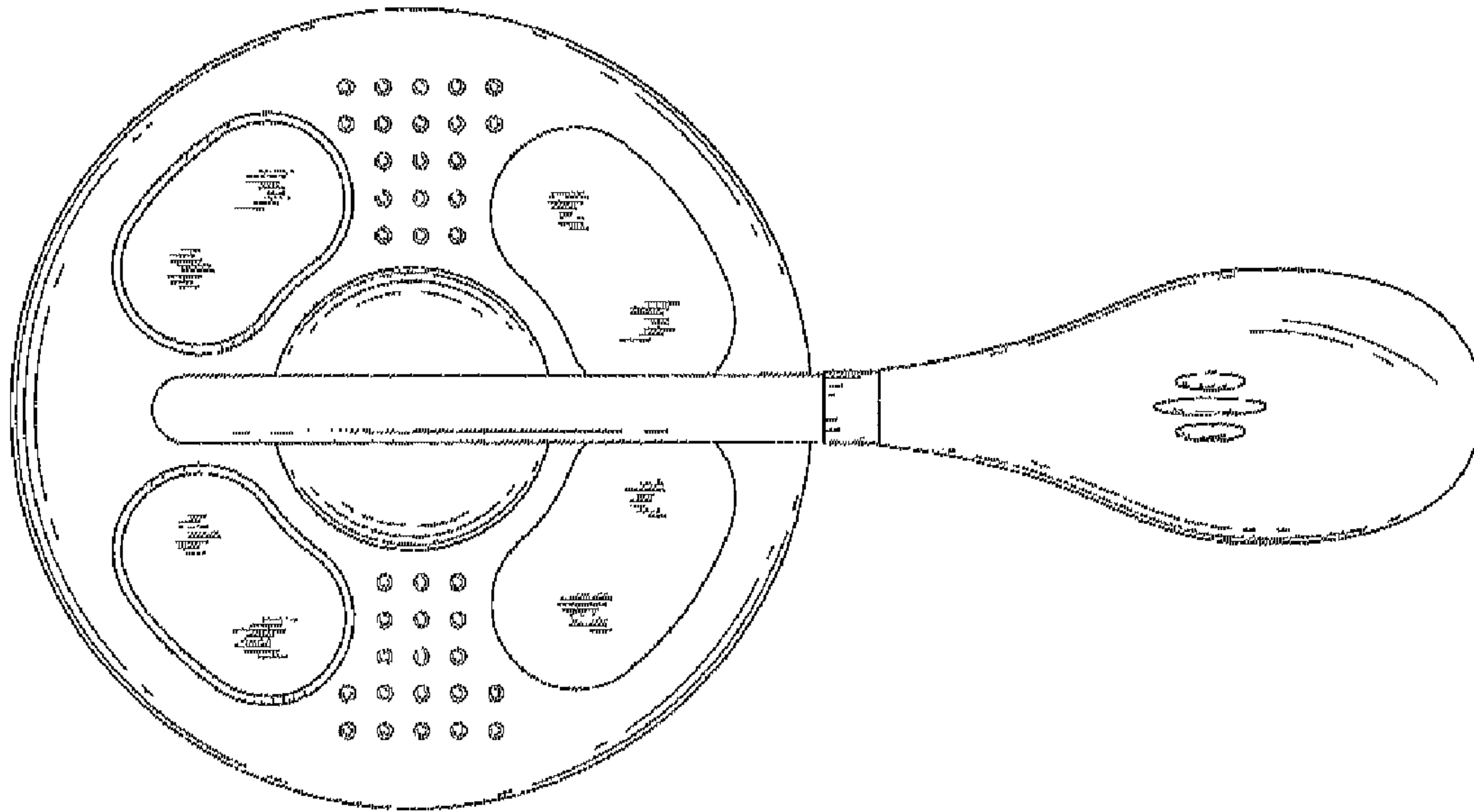


FIG. 6

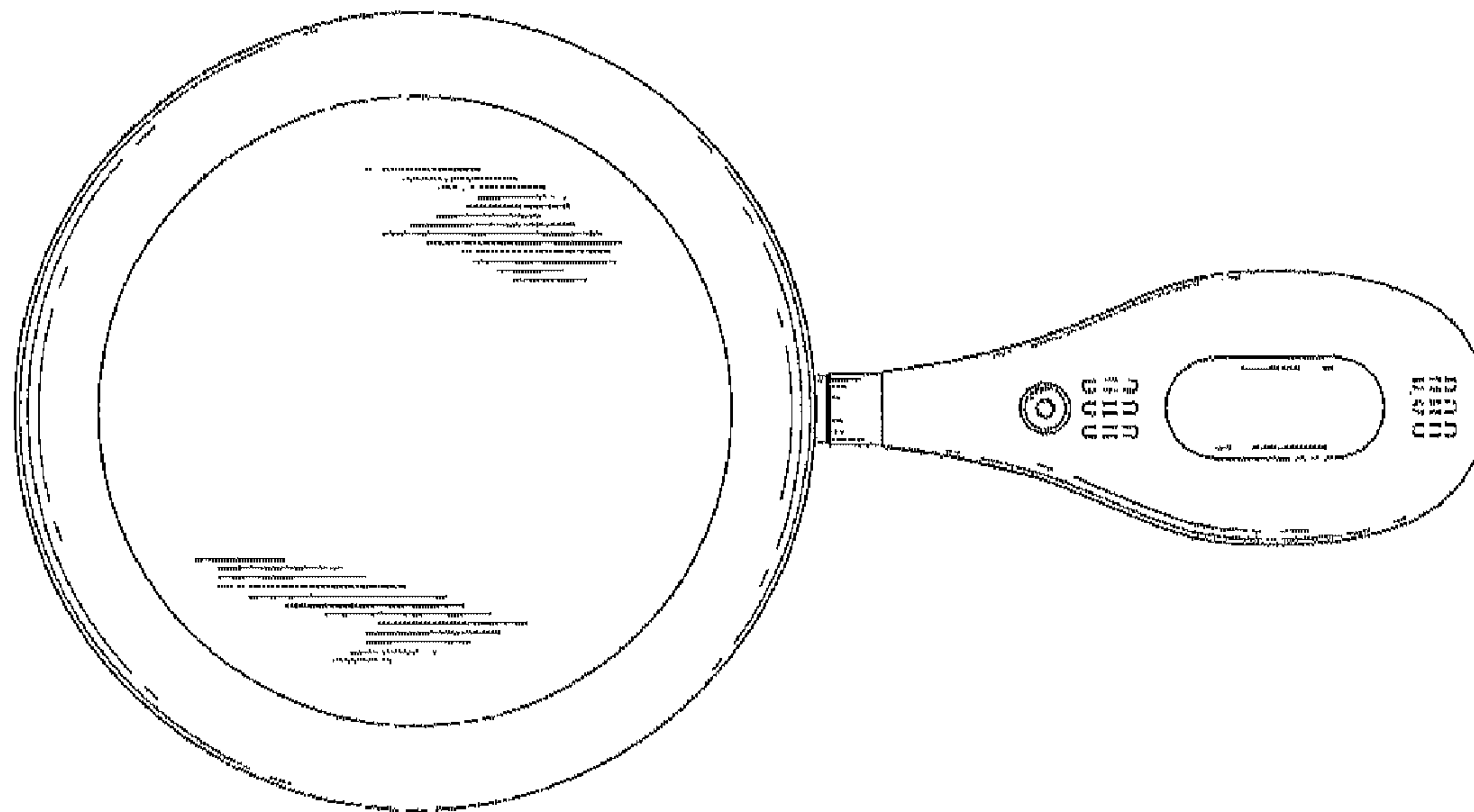


FIG. 7