



US00D669622S

(12) **United States Design Patent**  
**Orozco**

(10) **Patent No.:** **US D669,622 S**

(45) **Date of Patent:** **\*\* Oct. 23, 2012**

(54) **LIGHT FIXTURE**

(75) Inventor: **Sergio J. Orozco**, West New York, NJ  
(US)

(73) Assignee: **Quoizel, Inc.**, Goose Creek, SC (US)

(\*\*) Term: **14 Years**

(21) Appl. No.: **29/392,791**

(22) Filed: **May 26, 2011**

(51) **LOC (9) Cl.** ..... **26-03**

(52) **U.S. Cl.** ..... **D26/85; D26/128**

(58) **Field of Classification Search** ..... D26/80,  
D26/85, 86, 87, 89, 92, 128, 138, 141, 155;  
362/147, 404-408, 431, 432

See application file for complete search history.

(56) **References Cited**

U.S. PATENT DOCUMENTS

D64,115 S *	3/1924	Gruber .....	D26/85
D382,665 S *	8/1997	Ruggles et al. ....	D26/85
D461,578 S *	8/2002	Cheong .....	D26/67
D465,053 S *	10/2002	Miranda .....	D26/87
D532,147 S *	11/2006	Crosby .....	D26/118
D535,427 S *	1/2007	Chandler .....	D26/87
D537,189 S *	2/2007	Zhang .....	D26/87
D541,974 S *	5/2007	Yuan .....	D26/87
D563,584 S *	3/2008	Lee et al. ....	D26/67
D564,690 S *	3/2008	Chung et al. ....	D26/67

D580,084 S *	11/2008	Walsh .....	D26/68
D586,493 S *	2/2009	Parres .....	D26/87
D646,832 S *	10/2011	Chen .....	D26/85

\* cited by examiner

*Primary Examiner* — Clare E Heflin

(74) *Attorney, Agent, or Firm* — Nelson, Mullins, Riley & Scarborough LLP

(57) **CLAIM**

The ornamental design for a light fixture, as shown and described.

**DESCRIPTION**

FIG. 1 is a perspective view of a light fixture embodying the design of the present invention.

FIG. 2 is a front side elevational view of the light fixture illustrated in FIG. 1.

FIG. 3 is a back side elevational view of the light fixture illustrated in FIG. 1.

FIG. 4 is a left side elevational view of the light fixture illustrated in FIG. 1.

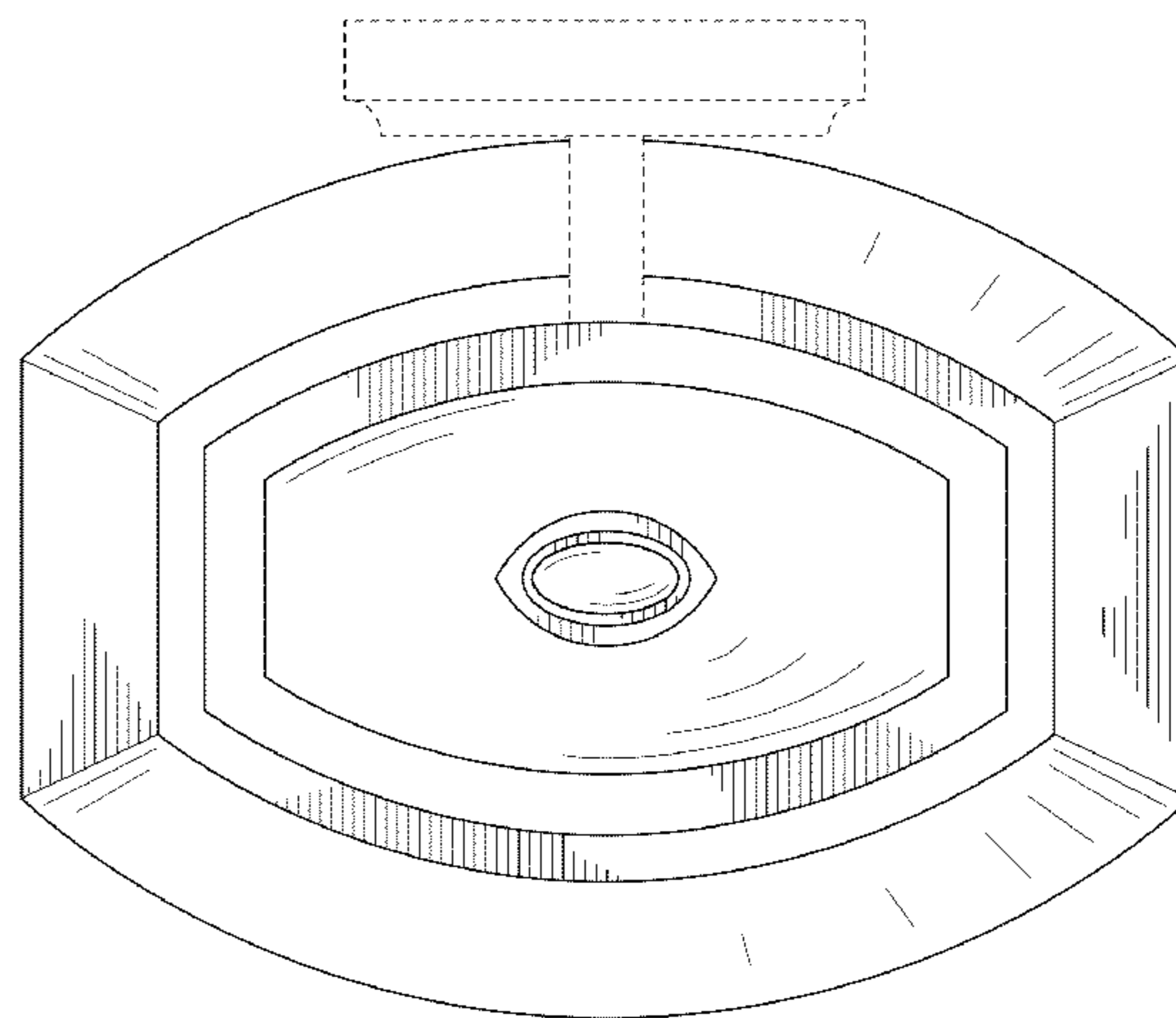
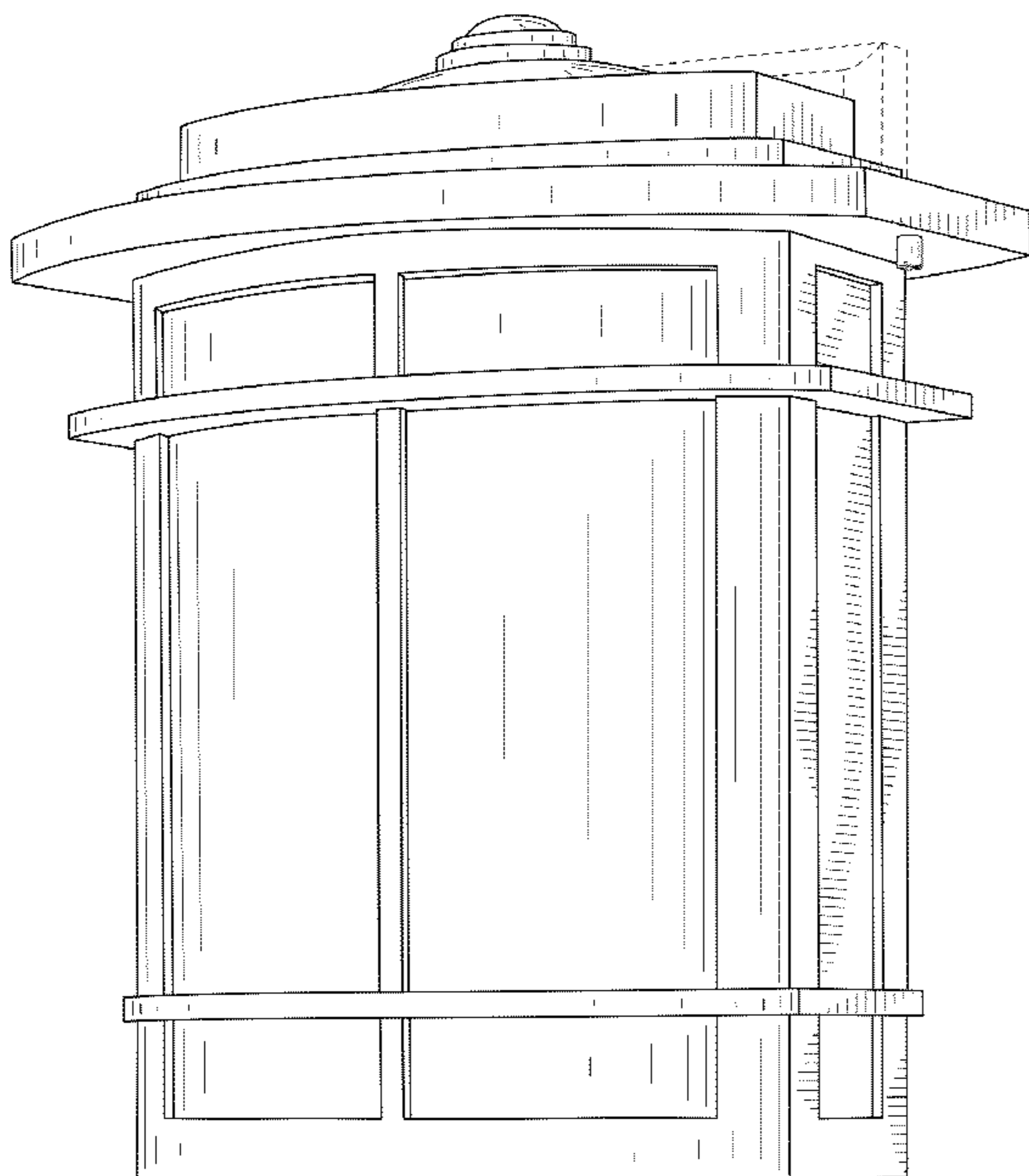
FIG. 5 is a right side elevational view of the light fixture illustrated in FIG. 1.

FIG. 6 is a top view of the light fixture illustrated in FIG. 1; and,

FIG. 7 is a bottom view of the light fixture illustrated in FIG. 1.

The broken lines shown on the drawings depict portions of the light fixture that form no part of the claimed design.

**1 Claim, 7 Drawing Sheets**



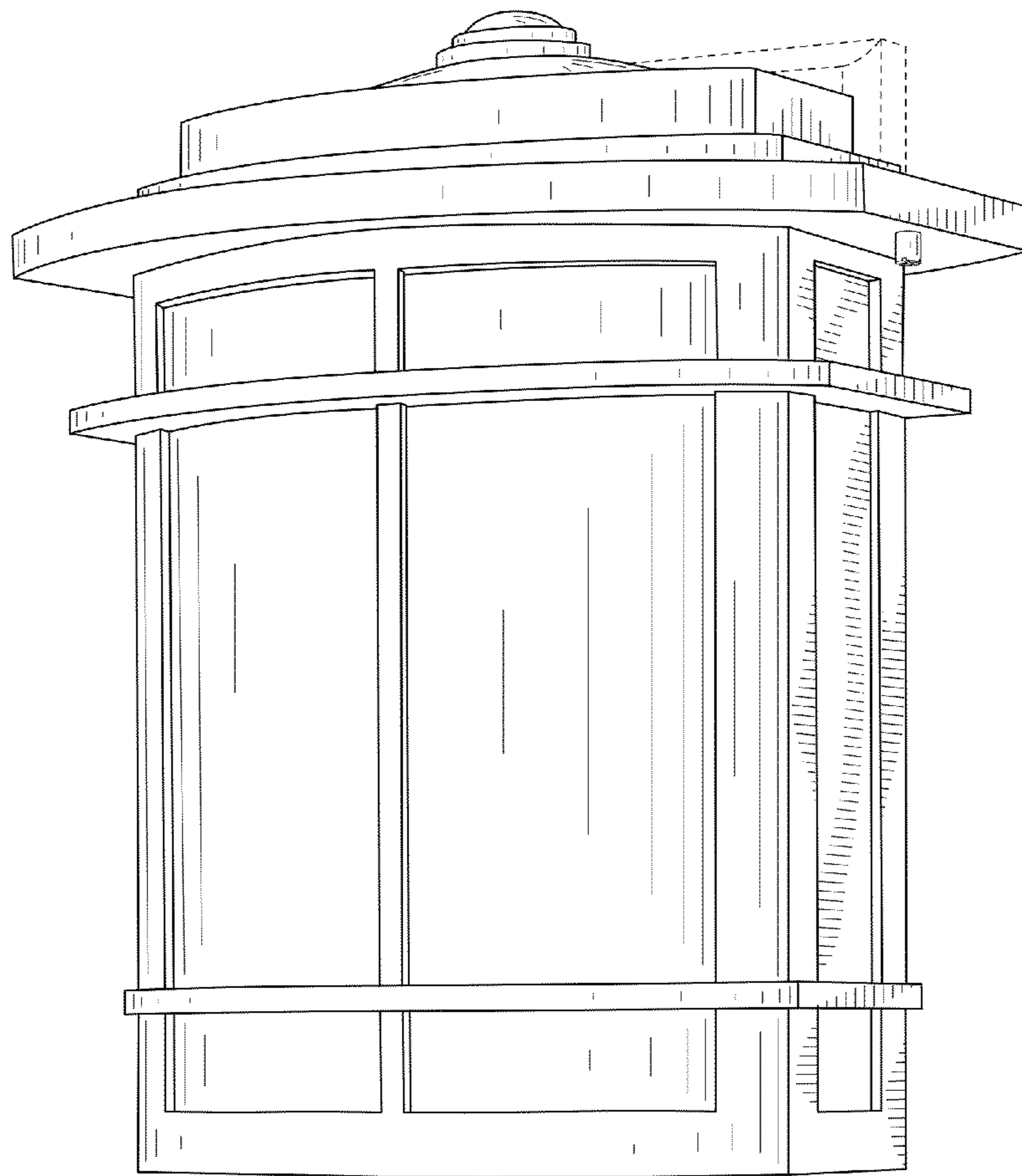


FIG. 1

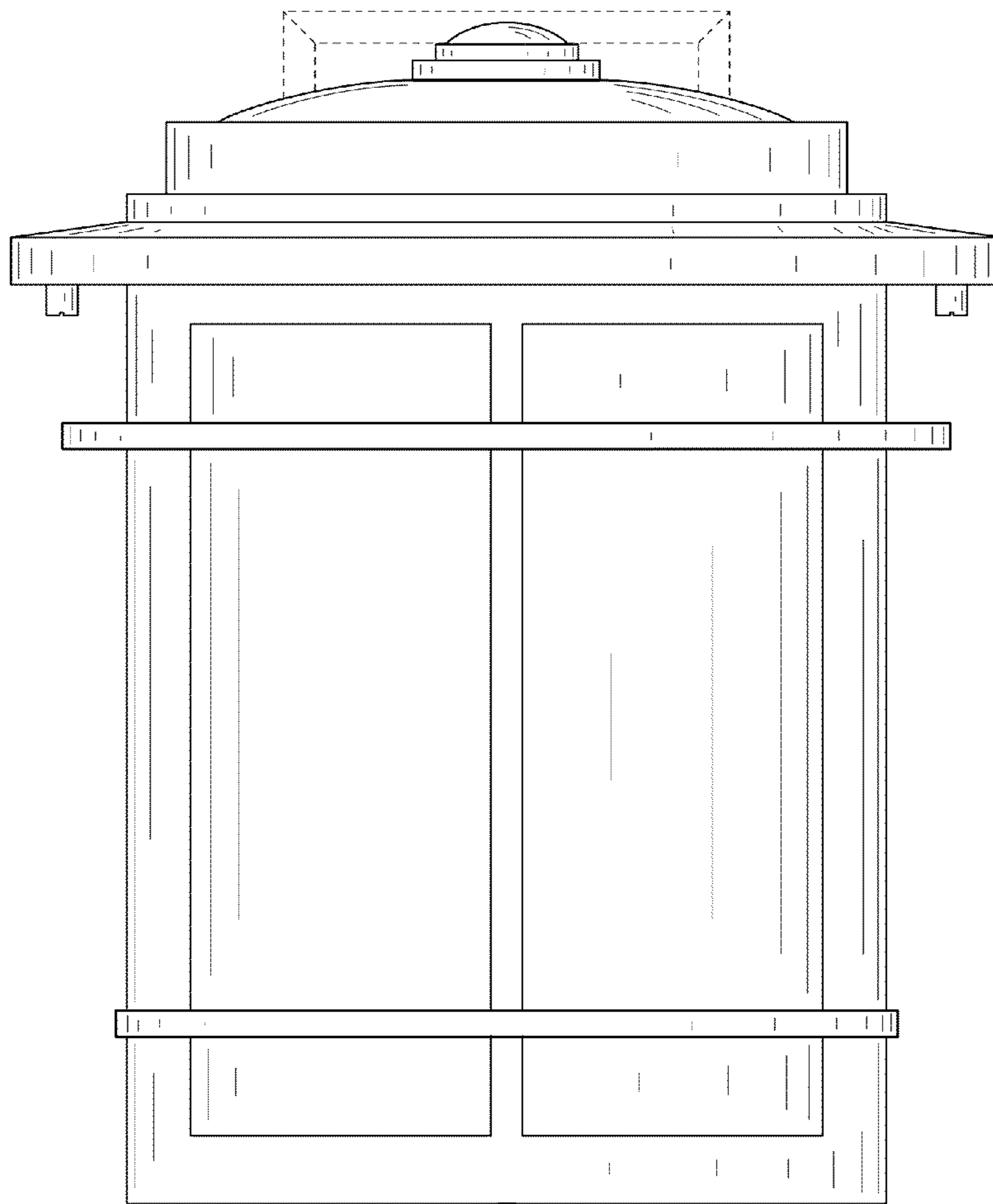


FIG. 2

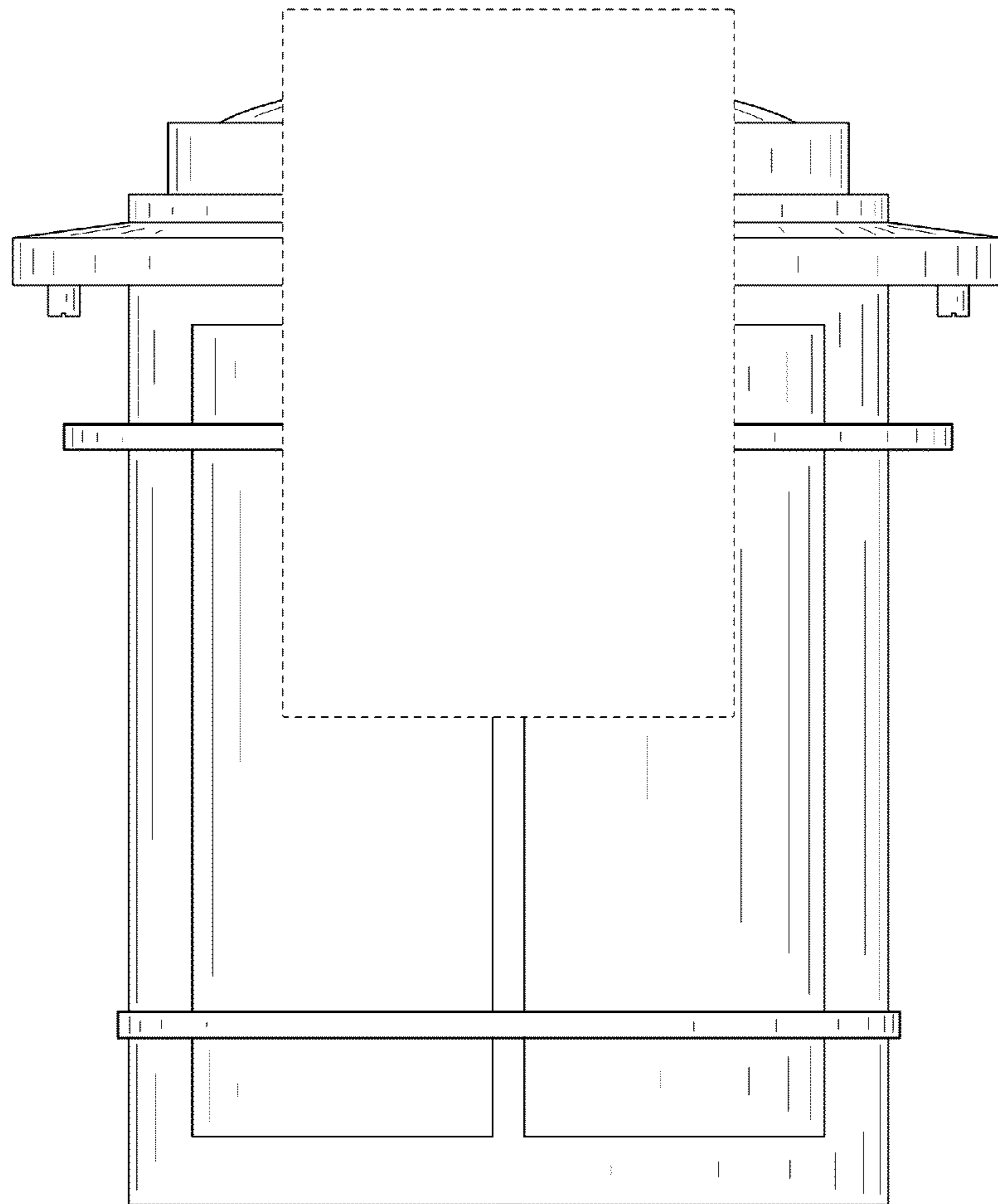


FIG. 3

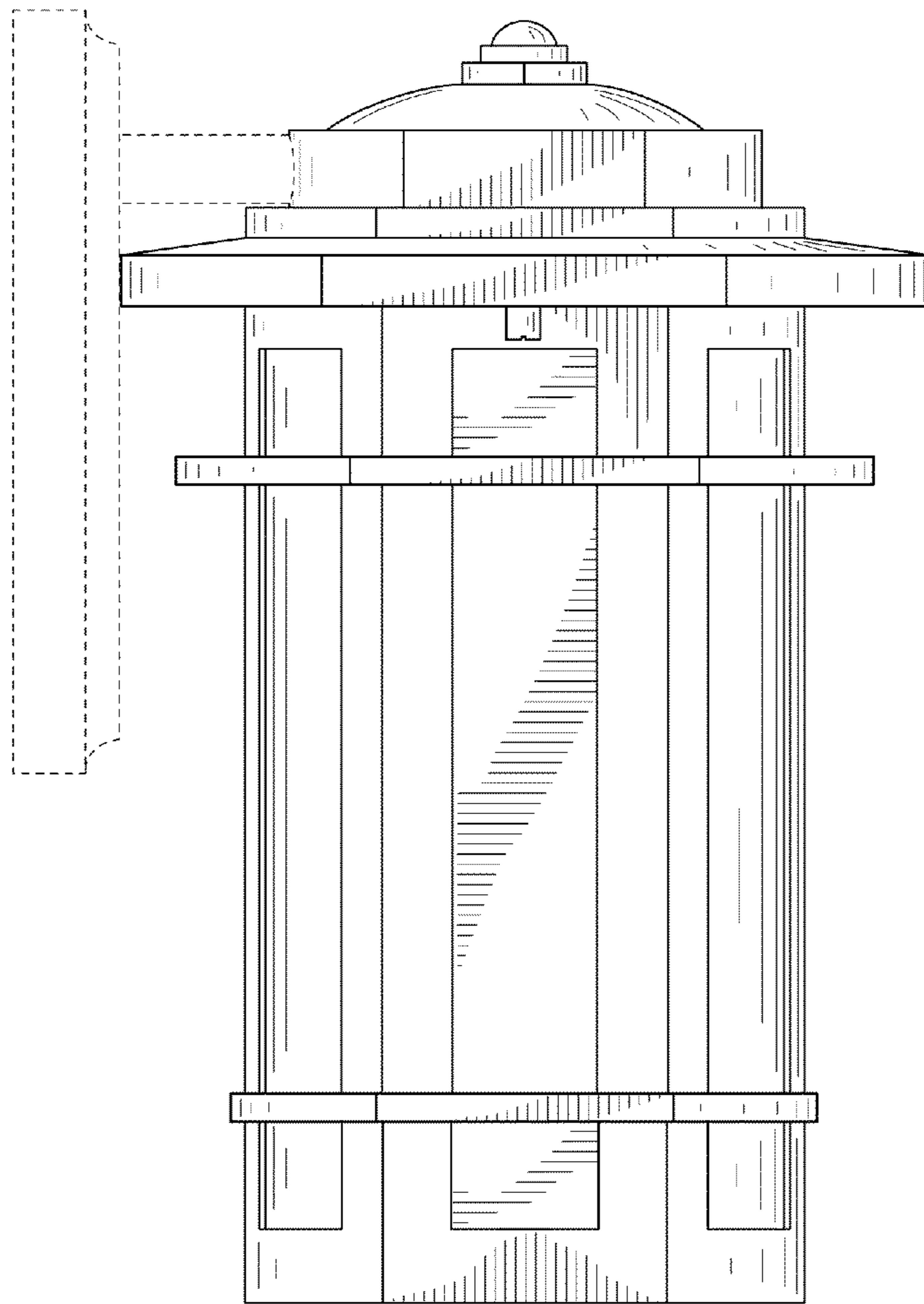


FIG. 4

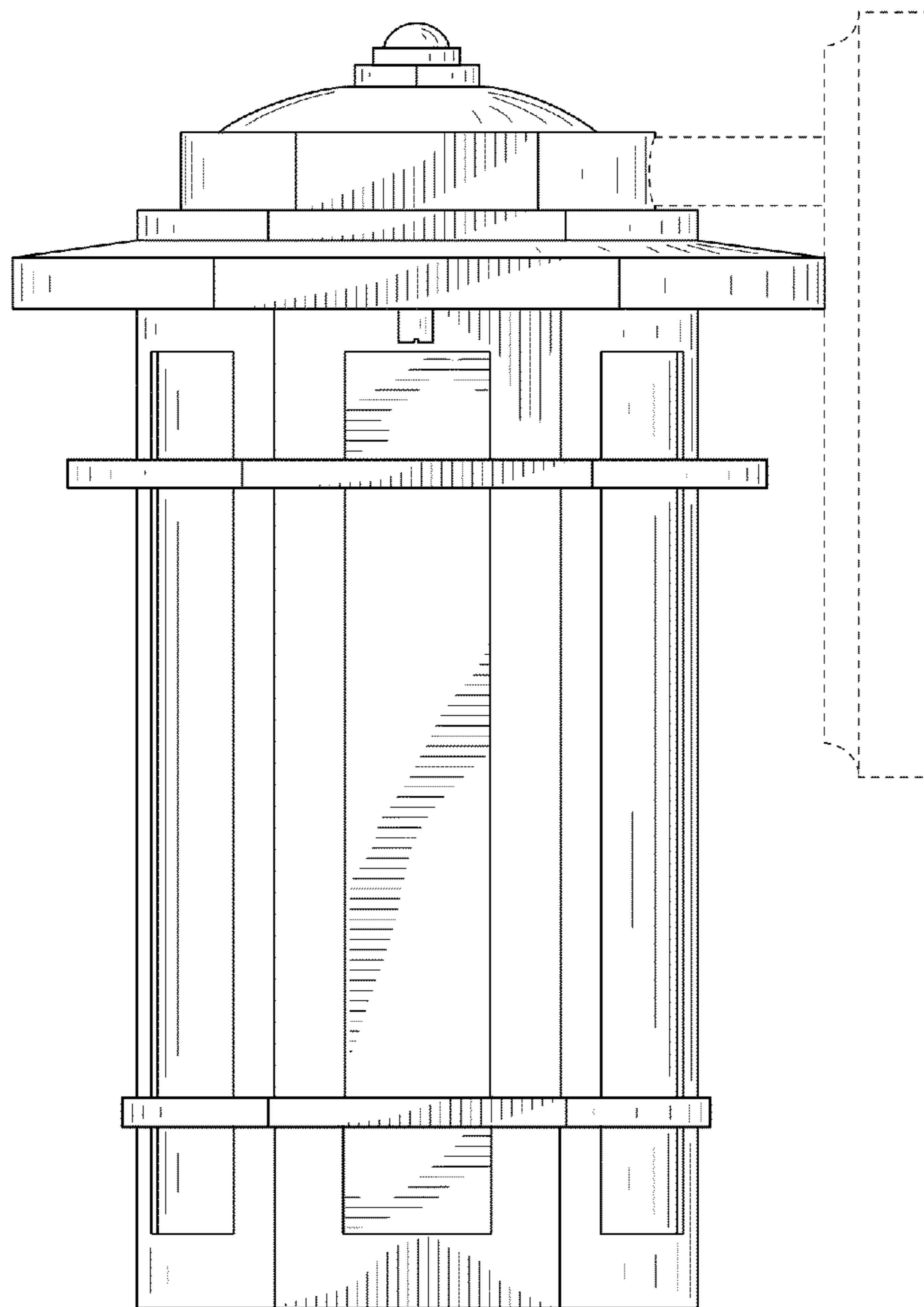


FIG. 5

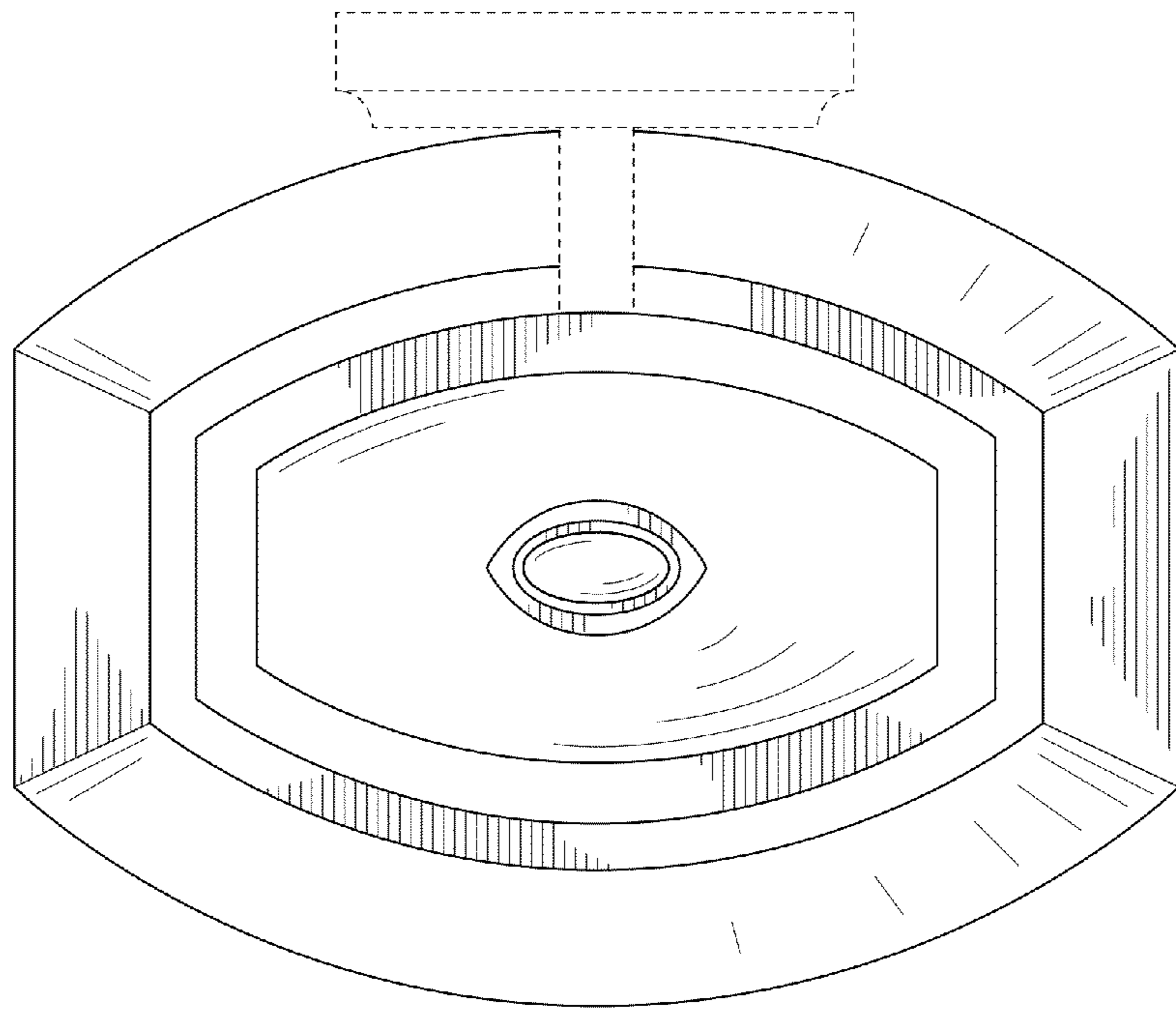


FIG. 6

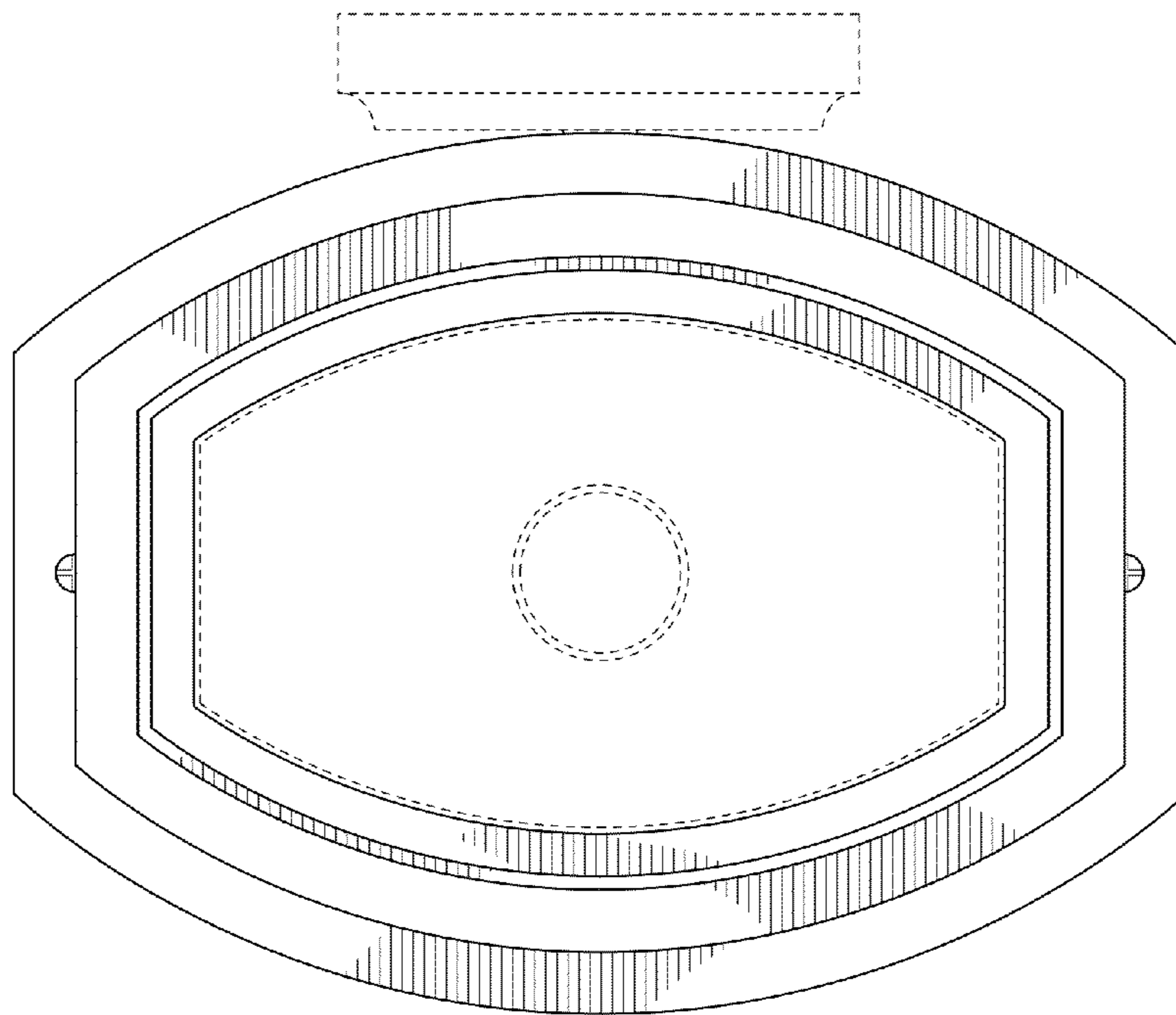


FIG. 7



UNITED STATES PATENT AND TRADEMARK OFFICE  
**CERTIFICATE OF CORRECTION**

PATENT NO. : D669,622 S  
APPLICATION NO. : 29/392791  
DATED : October 23, 2012  
INVENTOR(S) : Sergio J. Orozco

Page 1 of 1

It is certified that error appears in the above-identified patent and that said Letters Patent is hereby corrected as shown below:

On the title page of the patent, item [56] in U.S. PATENT DOCUMENTS, please add the following patent documents:

“D588306 3/2009 Chan”  
“D574534 8/2008 Lastimosa”  
“D483143 12/2003 Orozco”  
“D430326 8/2000 Littman”  
“20050248950 11/2005 McCarthy, III.”

Signed and Sealed this  
Twelfth Day of March, 2013



Teresa Stanek Rea  
*Acting Director of the United States Patent and Trademark Office*