



US00D669620S

(12) **United States Design Patent**  
**Rashidi**

(10) **Patent No.:** **US D669,620 S**

(45) **Date of Patent:** **\*\* \*Oct. 23, 2012**

(54) **LED LIGHT WITH REFLECTIVE TRIM**

(76) Inventor: **Hamid Rashidi**, Commerce, CA (US)

(\* ) Notice: This patent is subject to a terminal disclaimer.

(\*\*) Term: **14 Years**

(21) Appl. No.: **29/372,703**

(22) Filed: **Jan. 27, 2011**

(51) **LOC (9) Cl.** ..... **26-05**

(52) **U.S. Cl.** ..... **D26/74**

(58) **Field of Classification Search** ..... D26/74,  
D26/72, 113, 118, 133, 134, 136, 24, 59,  
D26/63, 75, 76, 77, 78, 79, 80, 81, 82, 83,  
D26/84, 85, 138; 362/126, 145, 146, 147,  
362/148, 150, 151, 152, 153, 153.1, 218,  
362/217.05, 217.06, 217.07, 294, 296.01,  
362/296.07, 296.08, 311.01, 311.07, 311.09,  
362/345, 364, 365, 366, 373; D23/379  
See application file for complete search history.

(56) **References Cited**

**U.S. PATENT DOCUMENTS**

D320,862 S \* 10/1991 Moeller et al. .... D26/24  
D326,537 S \* 5/1992 Gattari ..... D26/74

D326,729 S \* 6/1992 Gattari ..... D26/74  
D573,294 S \* 7/2008 Chan et al. .... D26/74  
D591,894 S \* 5/2009 Flank ..... D26/74  
D595,005 S \* 6/2009 Chou ..... D26/74  
D610,290 S \* 2/2010 Yoshinobu et al. .... D26/74  
D610,291 S \* 2/2010 Yoshinobu et al. .... D26/74  
D610,292 S \* 2/2010 Yoshinobu et al. .... D26/74  
D631,588 S \* 1/2011 Bergmann et al. .... D26/63  
D646,011 S \* 9/2011 Rashidi ..... D26/74  
D654,205 S \* 2/2012 Rashidi ..... D26/74  
2010/0061108 A1 \* 3/2010 Zhang et al. .... 362/364

\* cited by examiner

*Primary Examiner* — Angela J Lee

(74) *Attorney, Agent, or Firm* — Thomas I. Rozsa

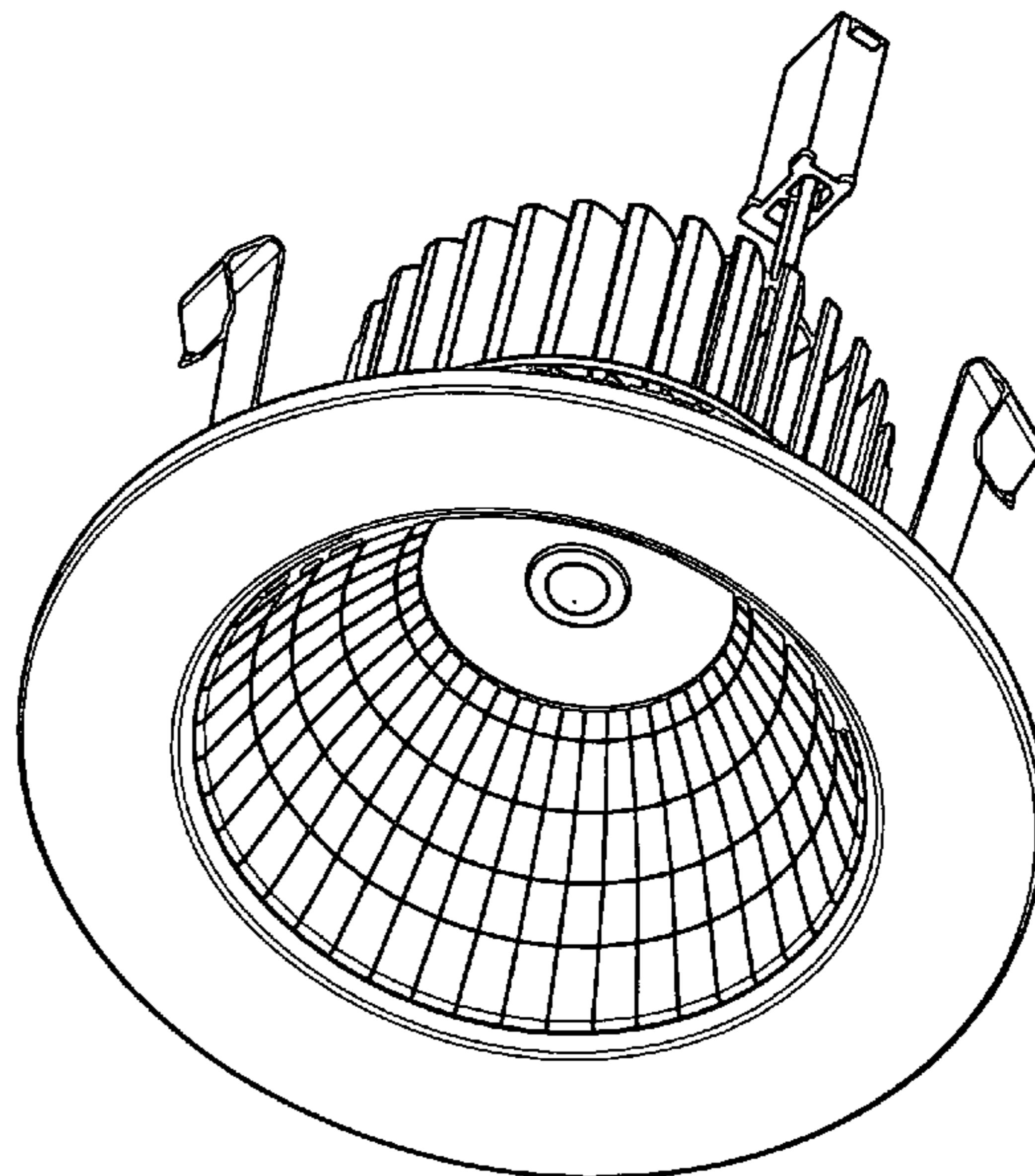
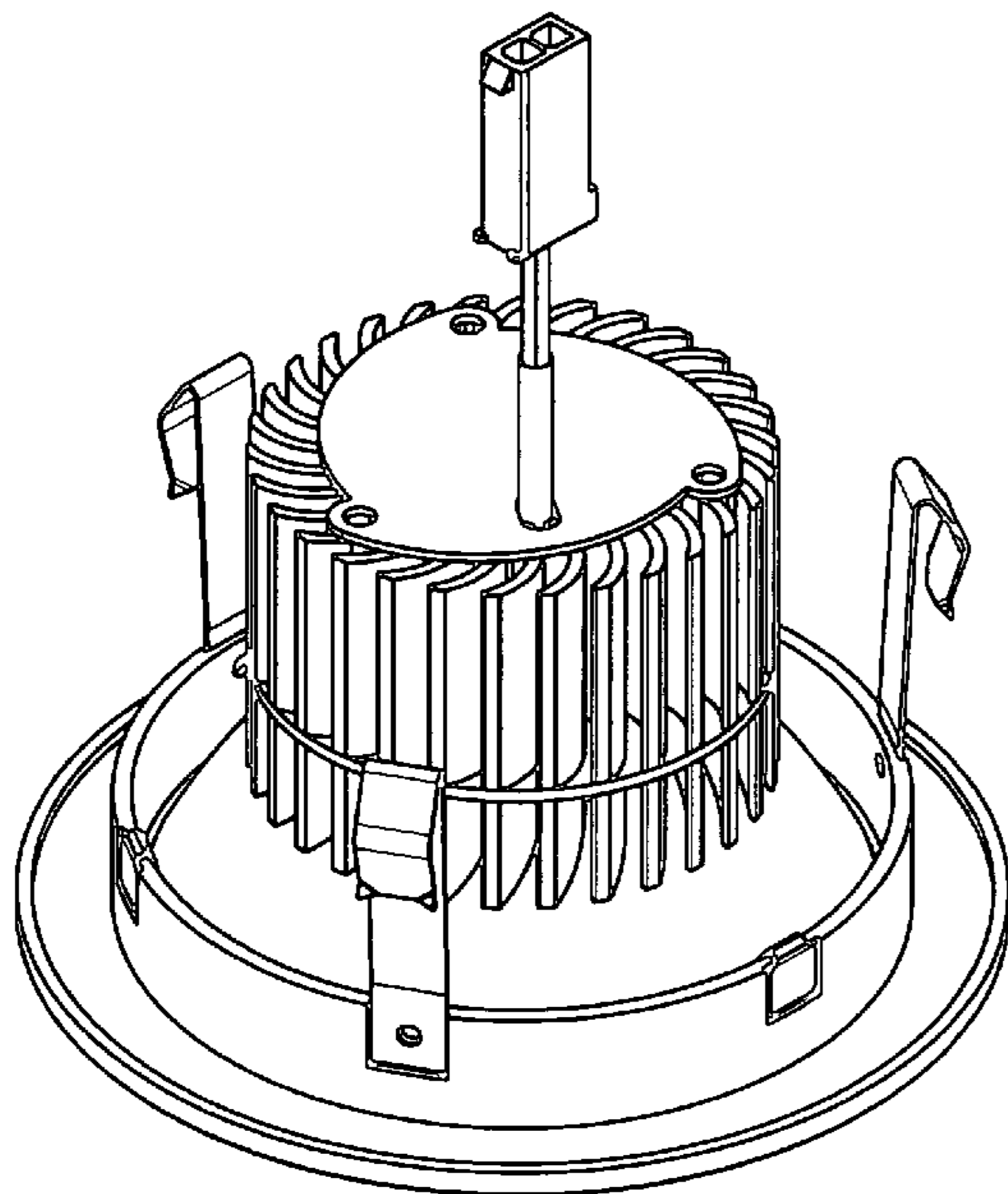
(57) **CLAIM**

The ornamental design for an LED light with reflective trim, as shown and described.

**DESCRIPTION**

FIG. 1 is a side perspective view of the LED light with reflective trim, showing my design;  
FIG. 2 is a right side elevational view thereof;  
FIG. 3 is a left side elevational view thereof;  
FIG. 4 is a front view thereof;  
FIG. 5 is a rear view thereof;  
FIG. 6 is a top view thereof;  
FIG. 7 is a bottom view thereof; and,  
FIG. 8 is a bottom perspective view thereof.

**1 Claim, 8 Drawing Sheets**



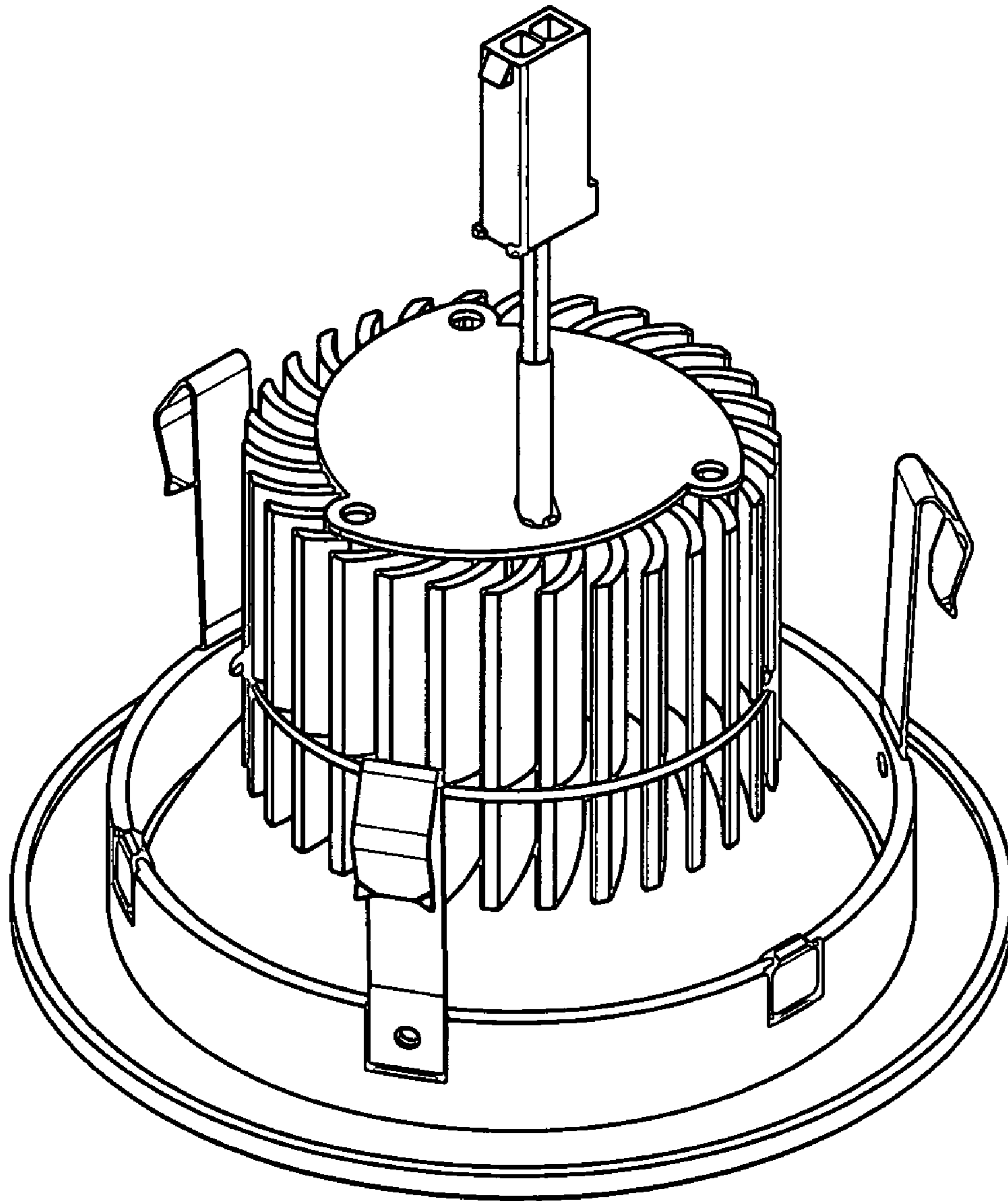


FIG. 1

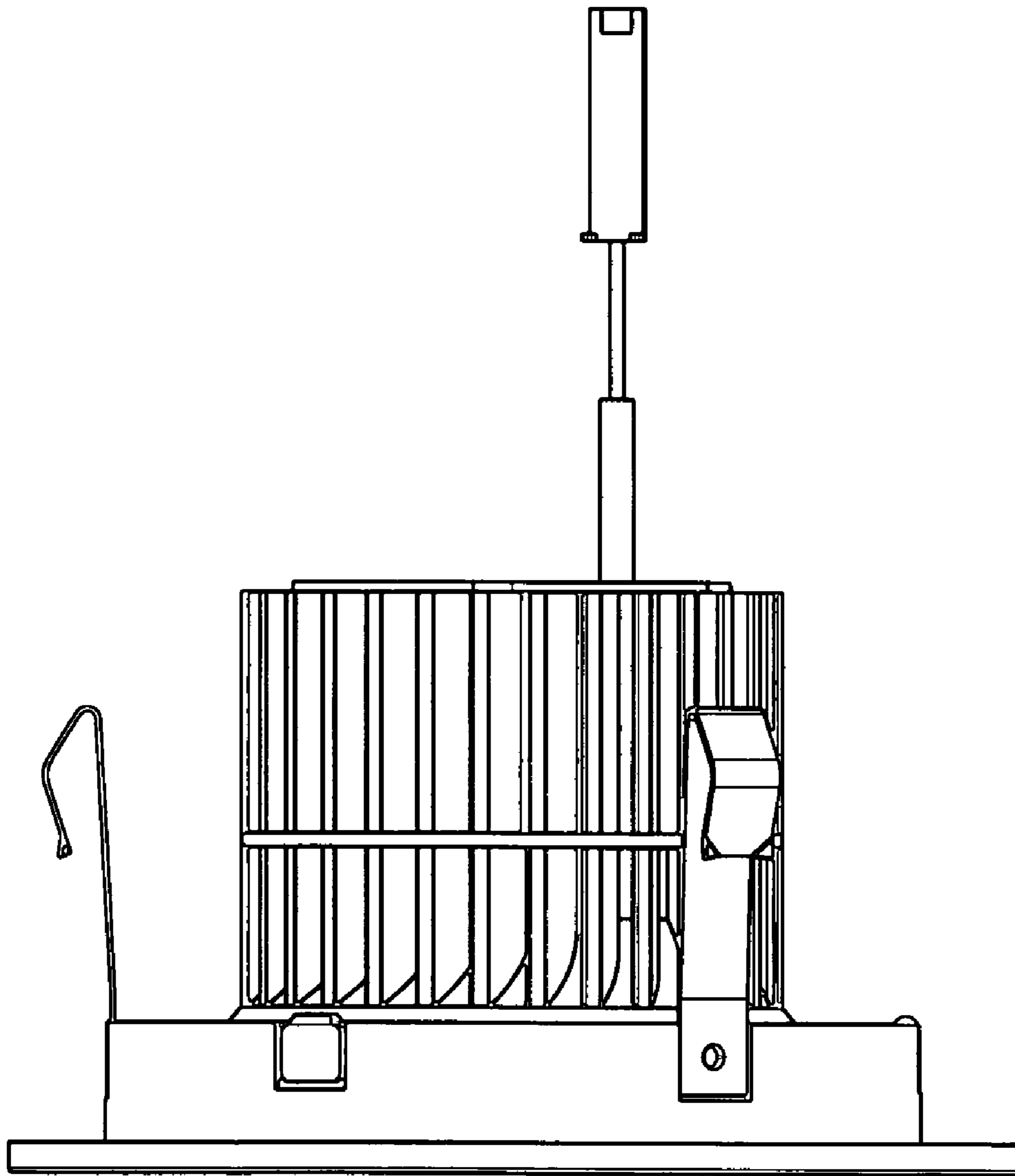


FIG. 2

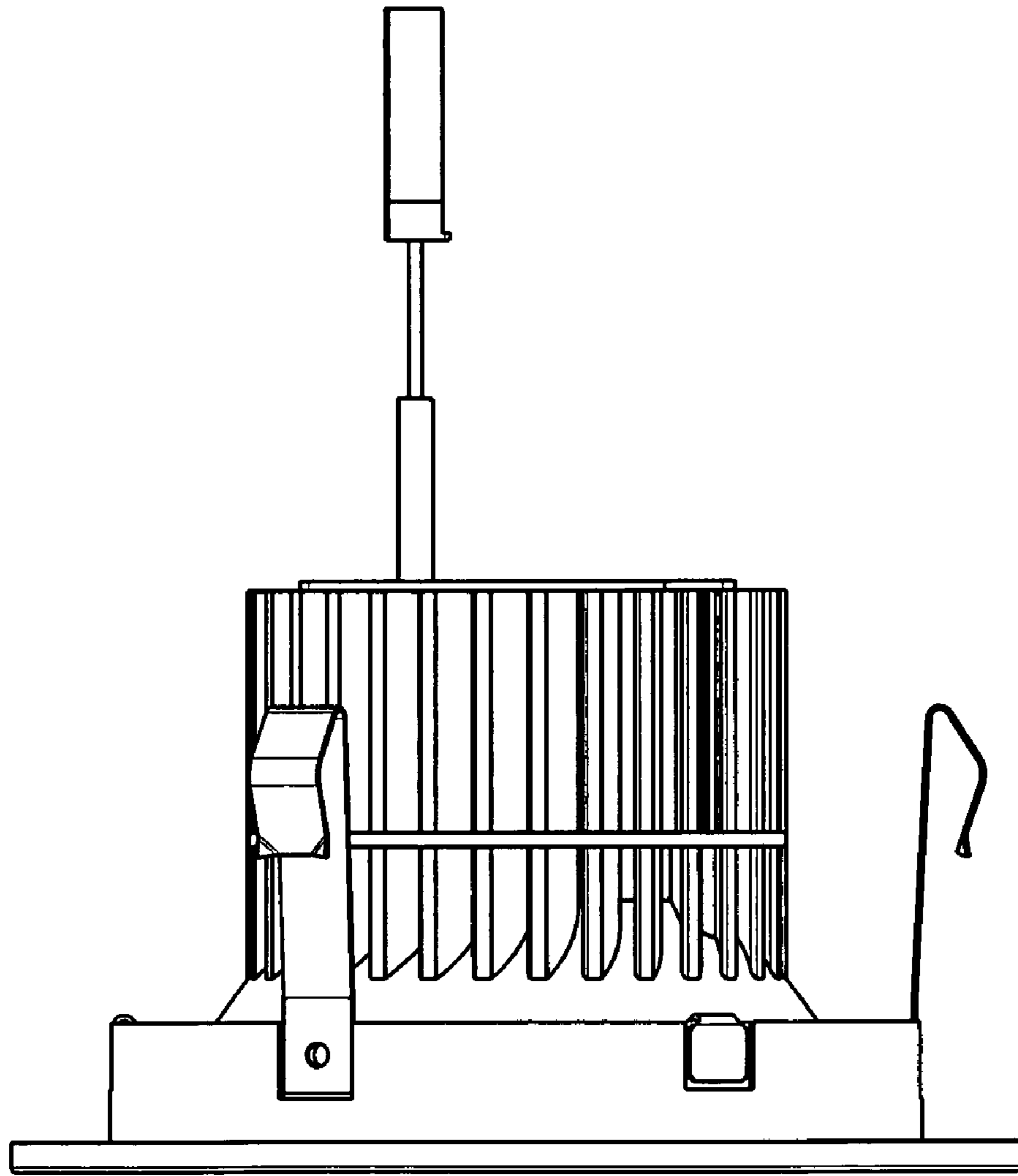


FIG.3

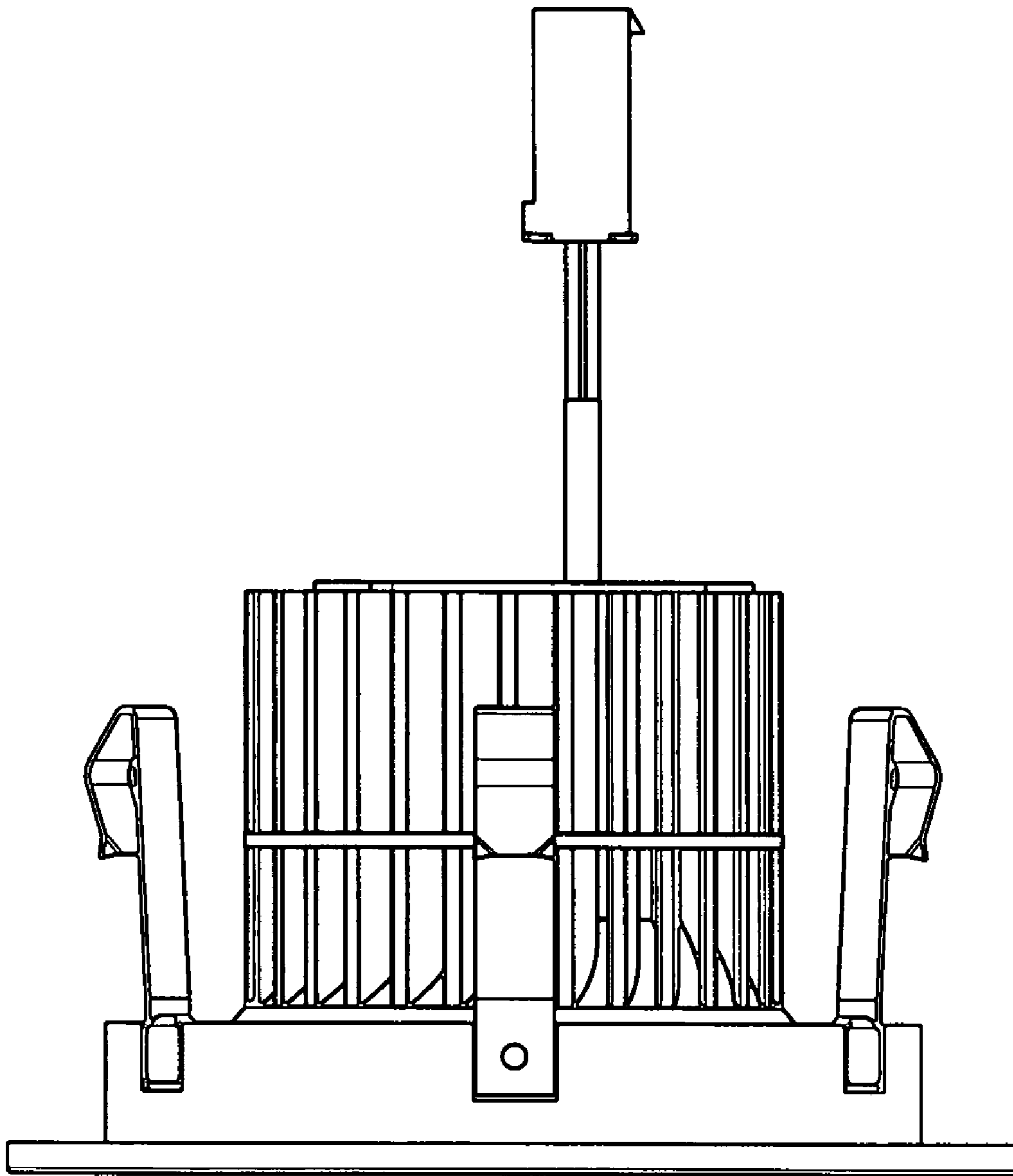


FIG. 4

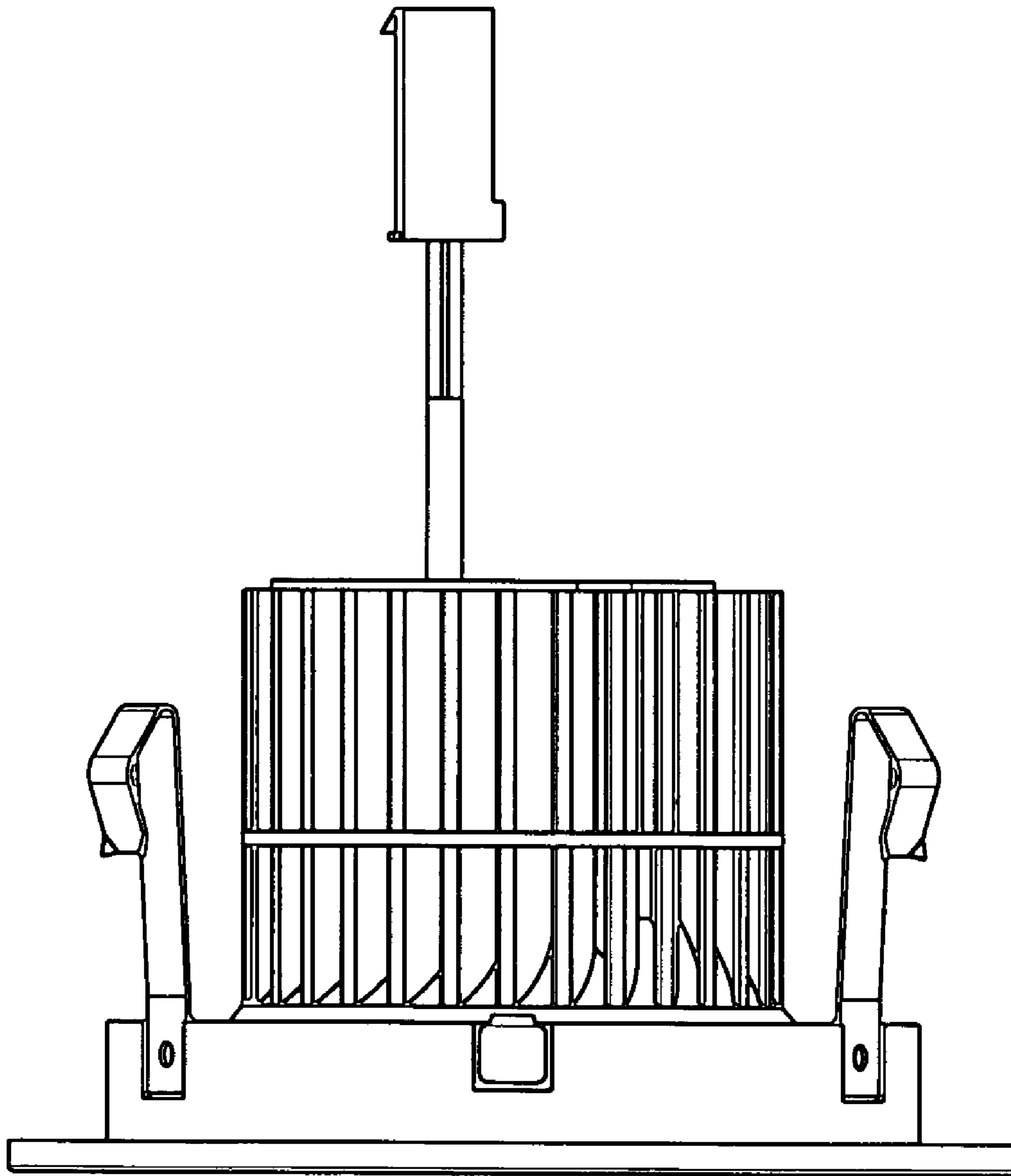


FIG. 5

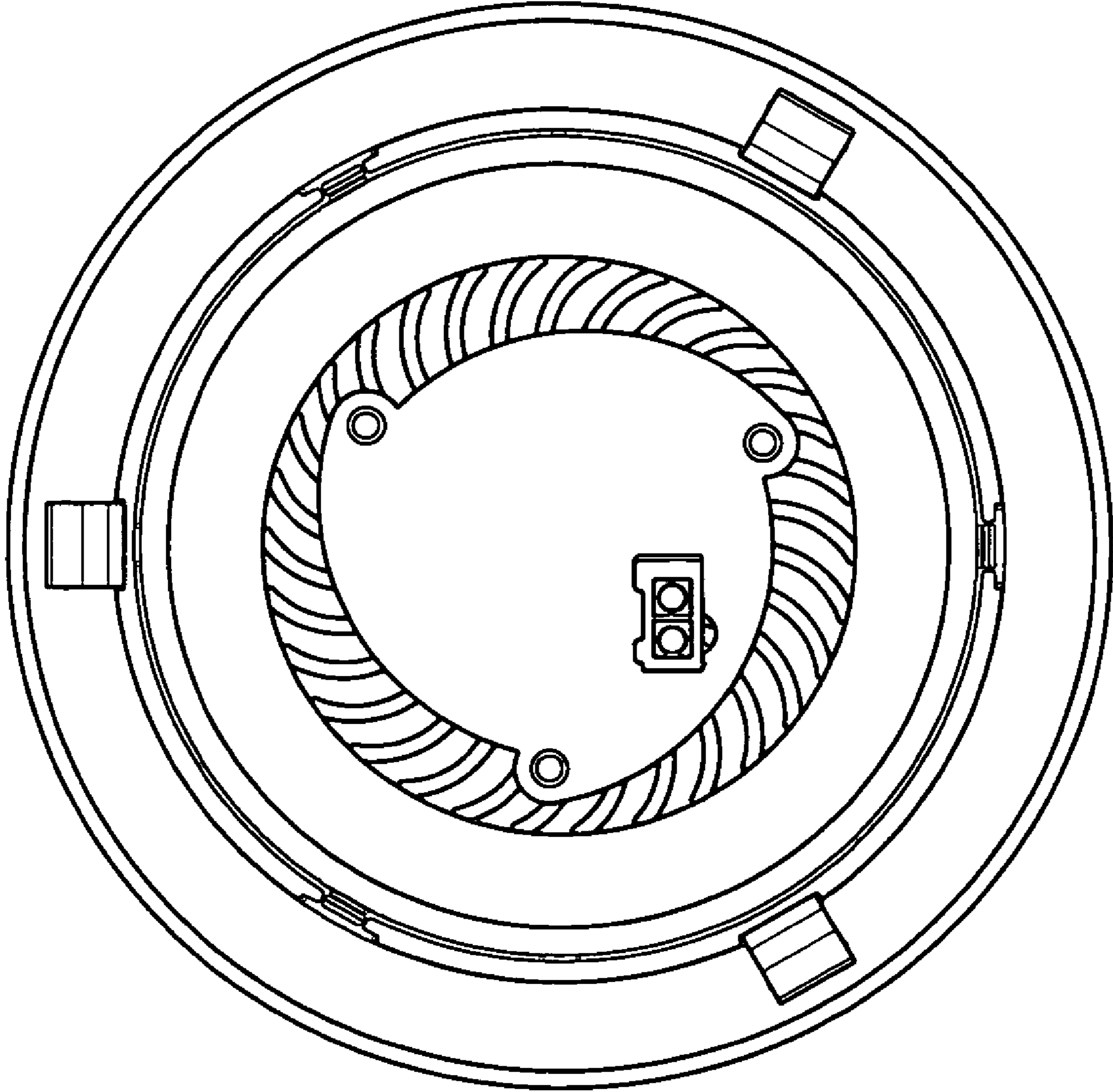


FIG. 6

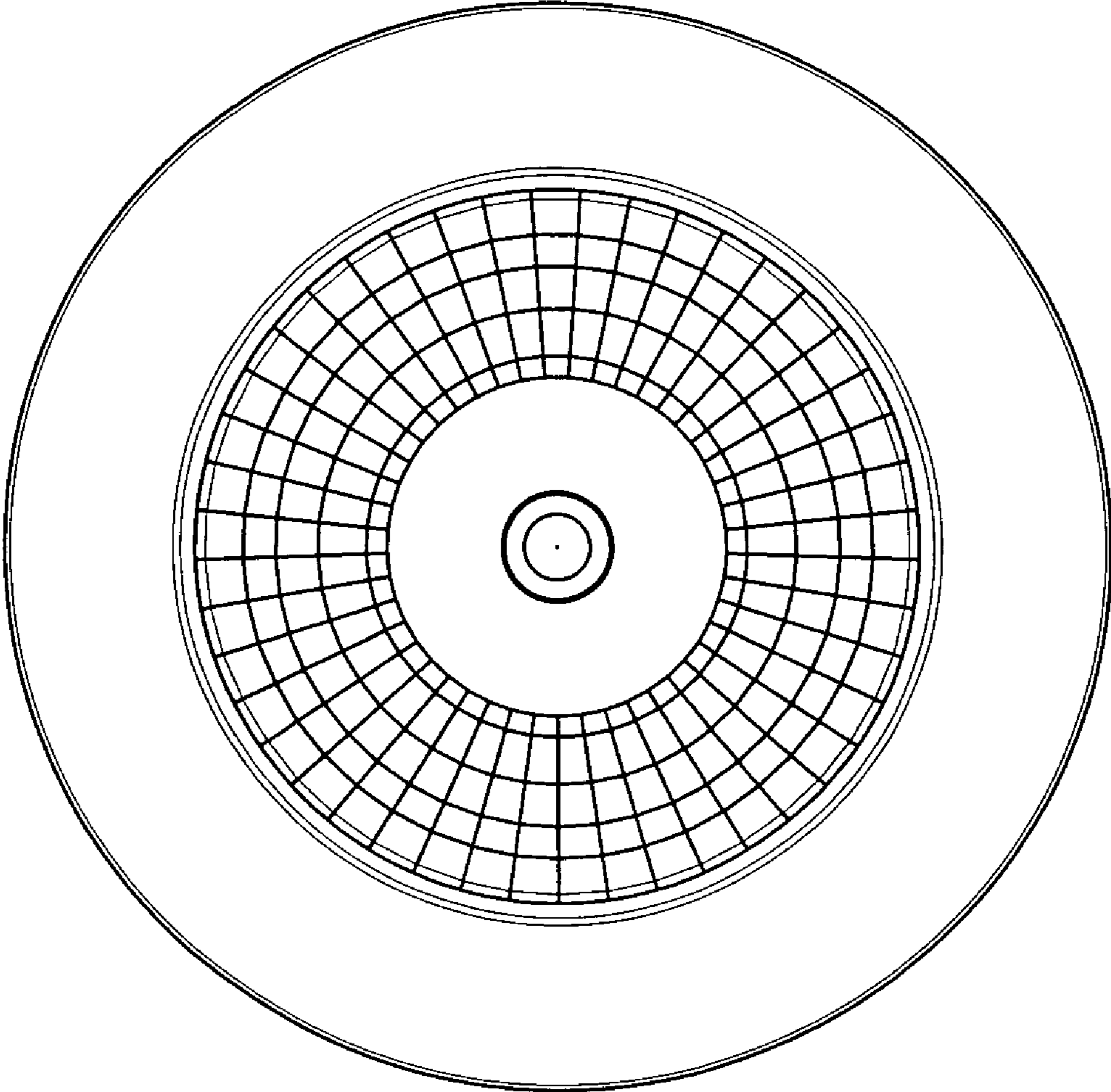


FIG. 7



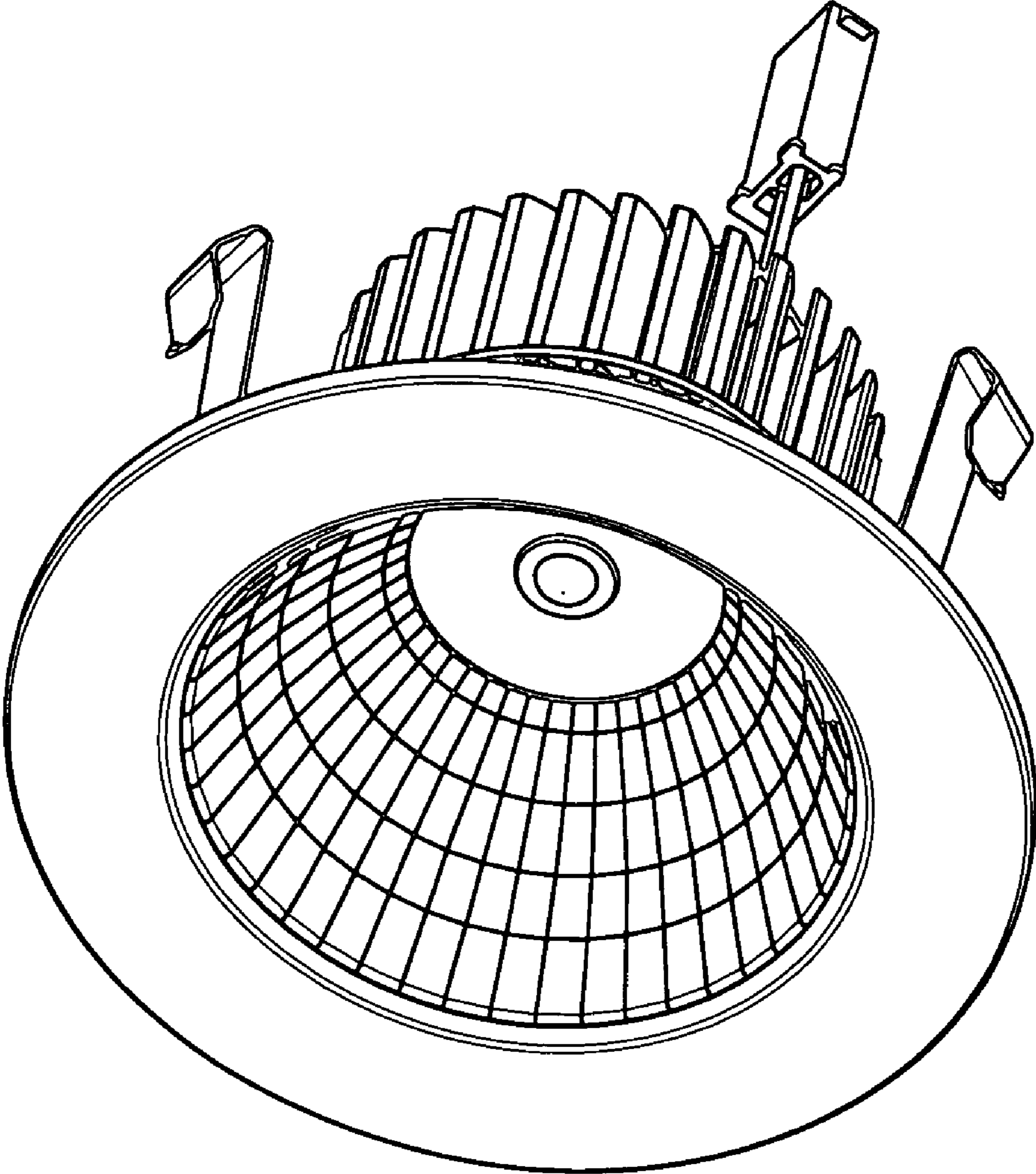


FIG. 8