

US00D669619S

(12) **United States Design Patent**
Ormsbee et al.

(10) **Patent No.:** **US D669,619 S**
(45) **Date of Patent:** **** Oct. 23, 2012**

(54) **FLEXIBLE LIGHTING DEVICE**
(75) Inventors: **Bowden Ormsbee**, Longmont, CO (US);
Richard N. Case, Boulder, CO (US)
(73) Assignee: **Nite Ize, Inc.**, Boulder, CO (US)
(**) Term: **14 Years**

3,806,358 A 4/1974 Glander et al.
3,947,927 A 4/1976 Rosenthal
3,960,302 A 6/1976 Mazzoni, Jr.
4,015,762 A 4/1977 Mendillo
4,120,437 A 10/1978 Hara
4,463,885 A 8/1984 Ball et al.
4,483,470 A 11/1984 Cousins
4,484,378 A 11/1984 Kimura et al.

(Continued)

(21) Appl. No.: **29/408,161**

(22) Filed: **Dec. 7, 2011**

OTHER PUBLICATIONS

In the US Patent and Trademark Office U.S. Appl. No. 12/247,523
Non-Final Office Action dated Jan. 31, 2012, 7 pages.

(Continued)

Related U.S. Application Data

(63) Continuation-in-part of application No. 12/247,523,
filed on Oct. 8, 2008.

(51) **LOC (9) Cl.** **26-05**

(52) **U.S. Cl.** **D26/62**

(58) **Field of Classification Search** D26/60-66,
D26/51, 103, 37-50, 118, 25, 27; D8/394;
362/295, 551, 554, 555, 558, 565, 581, 582,
362/98, 99, 157, 174-177, 257, 277, 278,
362/280-285, 269, 270, 274, 275, 287, 288,
362/419, 427, 800, 190, 191, 401, 449, 418,
362/806, 253; 24/16 R, 17 A, 30.5 T; 248/50
See application file for complete search history.

Primary Examiner — Susan M Lee

Assistant Examiner — Linda G. Brooks

(74) *Attorney, Agent, or Firm* — Patton Boggs LLP

(56) **References Cited**

U.S. PATENT DOCUMENTS

2,118,875 A 5/1938 Windheim
2,530,695 A 11/1950 Helmert
2,542,601 A 2/1951 Van Cleef
3,257,054 A 6/1966 Miesel
3,426,393 A 2/1969 Mead
3,543,353 A 12/1970 Meehan
3,564,667 A 2/1971 Parrick, III et al.
3,757,429 A 9/1973 Sumino
3,768,711 A 10/1973 Wilkinson

(57) **CLAIM**

The ornamental design for flexible lighting device, as shown
and described.

DESCRIPTION

FIG. 1 is a front perspective view of one embodiment of a
flexible lighting device;

FIG. 2 is a back perspective view of the flexible lighting
device of FIG. 1;

FIG. 3 is a front view of the flexible lighting device of FIG. 1;

FIG. 4 is a back view of the flexible lighting device of FIG. 1;

FIG. 5 is a left view of the flexible lighting device of FIG. 1;

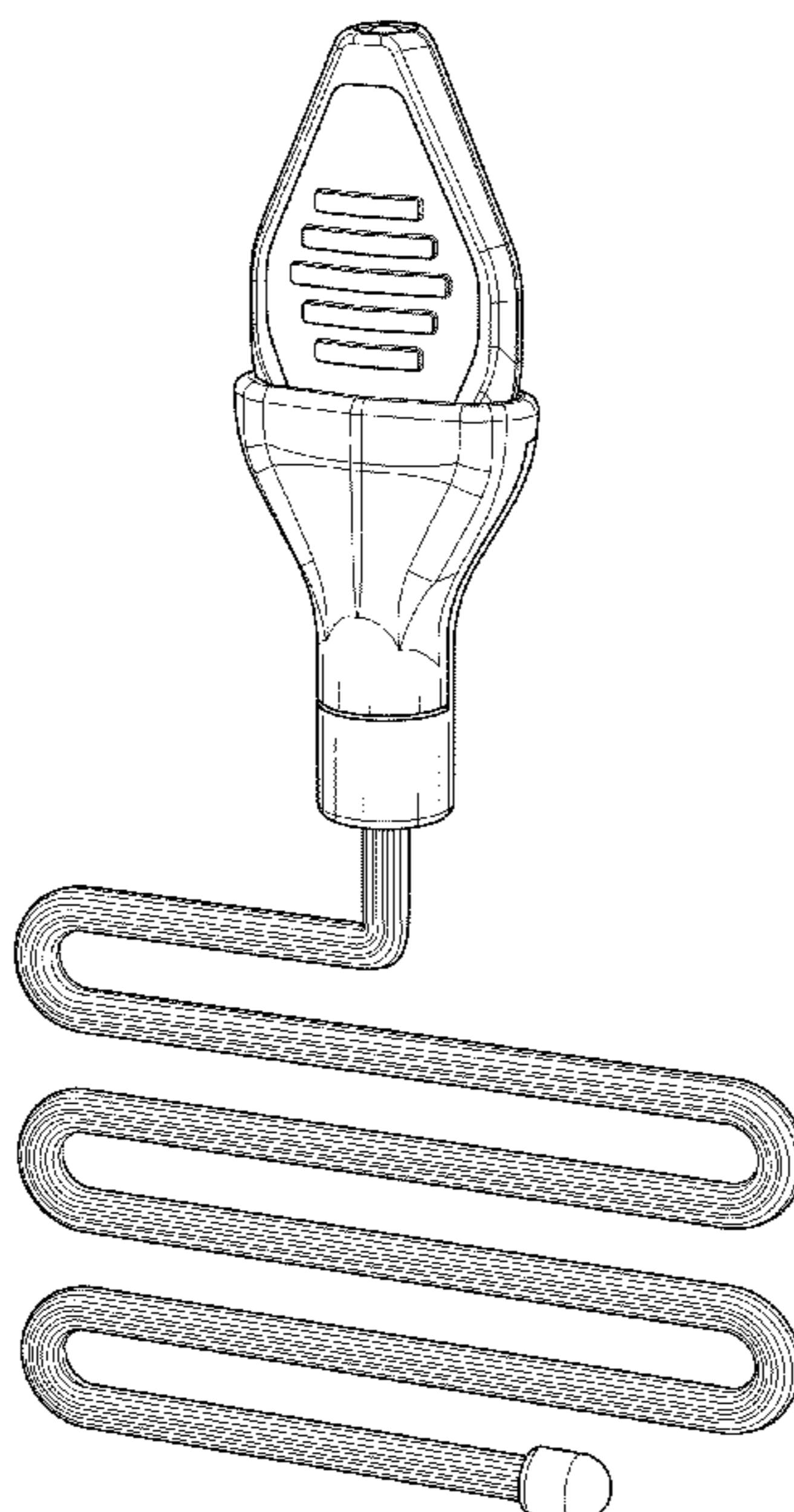
FIG. 6 is a right view of the flexible lighting device of FIG. 1;

FIG. 7 is a top view of the flexible lighting device of FIG. 1;

and,

FIG. 8 is a bottom view of the flexible lighting device of FIG.
1.

1 Claim, 6 Drawing Sheets



US D669,619 S

Page 2

U.S. PATENT DOCUMENTS

4,488,748	A	12/1984	Burkes	
4,531,661	A	7/1985	Santy	
4,540,006	A	9/1985	Collis	
4,553,779	A	11/1985	Shortridge	
4,641,454	A	2/1987	Ray et al.	
4,648,414	A	3/1987	Fox et al.	
4,666,417	A	5/1987	Hillman	
4,753,355	A	6/1988	Hall et al.	
4,761,053	A	8/1988	Cogelia et al.	
4,817,837	A	4/1989	Grover	
4,834,118	A	5/1989	Goeller	
4,856,689	A	8/1989	Shore	
4,867,478	A	9/1989	Anderson	
4,915,996	A	4/1990	Curry	
D310,909	S	10/1990	Bradtl	
5,054,299	A	10/1991	Maveety	
5,056,820	A	10/1991	Des Prez	
5,104,017	A	4/1992	Vandagriff	
5,190,336	A	3/1993	Palz	
5,199,135	A	4/1993	Gold	
5,234,370	A	8/1993	Shapero et al.	
5,310,376	A	5/1994	Mayuzumi et al.	
5,437,401	A	8/1995	Seltzer	
5,468,036	A	11/1995	Brown	
5,498,190	A	3/1996	Ganson	
5,590,422	A	1/1997	Henderson	
D379,542	S *	5/1997	Egashira	D26/43
5,664,589	A	9/1997	Black	
5,714,211	A	2/1998	Zinbarg et al.	
5,769,994	A	6/1998	Booz et al.	
D399,021	S *	9/1998	Lam	D26/106
5,853,212	A	12/1998	Daniel	
5,916,006	A	6/1999	Ganson	
D425,226	S *	5/2000	Galli	D26/37
6,113,170	A	9/2000	Daniel	
6,114,036	A	9/2000	Rinehart et al.	
6,206,542	B1	3/2001	Case et al.	
6,237,740	B1	5/2001	Weatherall et al.	
6,332,052	B1	12/2001	Luther et al.	

6,372,344	B1	4/2002	Castellani et al.	
6,848,663	B2	2/2005	Olive	
7,011,879	B1	3/2006	Contreras et al.	
D531,339	S *	10/2006	Lee et al.	D26/62
7,123,801	B2	10/2006	Fitz	
D536,116	S *	1/2007	Sharrah	D26/43
7,192,069	B1	3/2007	Daniel	
7,250,213	B2	7/2007	Duncan	
7,357,540	B2 *	4/2008	Booty, Jr.	362/396
7,377,828	B2	5/2008	Cheung	
D588,735	S *	3/2009	Woodard	D26/61
D592,341	S *	5/2009	Fan	D26/63
D600,852	S *	9/2009	Clepper et al.	D26/138
D609,853	S *	2/2010	Salatto-Rose	D26/107
D622,429	S *	8/2010	Jones	D26/37
8,033,678	B2 *	10/2011	Patterson	362/120
2002/0028336	A1	3/2002	Jaccoud	
2002/0118535	A1	8/2002	Nostrant	
2005/0093205	A1	5/2005	Martin et al.	
2005/0211357	A1	9/2005	Ren	
2005/0274211	A1	12/2005	Edgman	
2008/0124544	A1	5/2008	Alexander et al.	
2008/0254281	A1	10/2008	Chen et al.	
2009/0000086	A1	1/2009	Bing	
2009/0095854	A1	4/2009	Forbes et al.	
2009/0140016	A1	6/2009	Case et al.	

OTHER PUBLICATIONS

In the US Patent and Trademark Office U.S. Appl. No. 12/247,523 Non-Final Office Action dated Jun. 13, 2011, 9 pages.
Acor, Acor present Volara 4E, Mar. 2, 2008; <http://acor.com/volara.htm>.
International Search Report dated Dec. 9, 2011, in related PCT Application No. PCT/US2011/046304, 3 pages.
Web page illustration from web site illustrating Grip Twist lock and carry device; griptwist.com; Dakota Trading corporation, 2008.
Web page illustration from web site illustrating reusable silicone coated Sili Twists; www.wrapables.com; Wrapables, 2008.

* cited by examiner

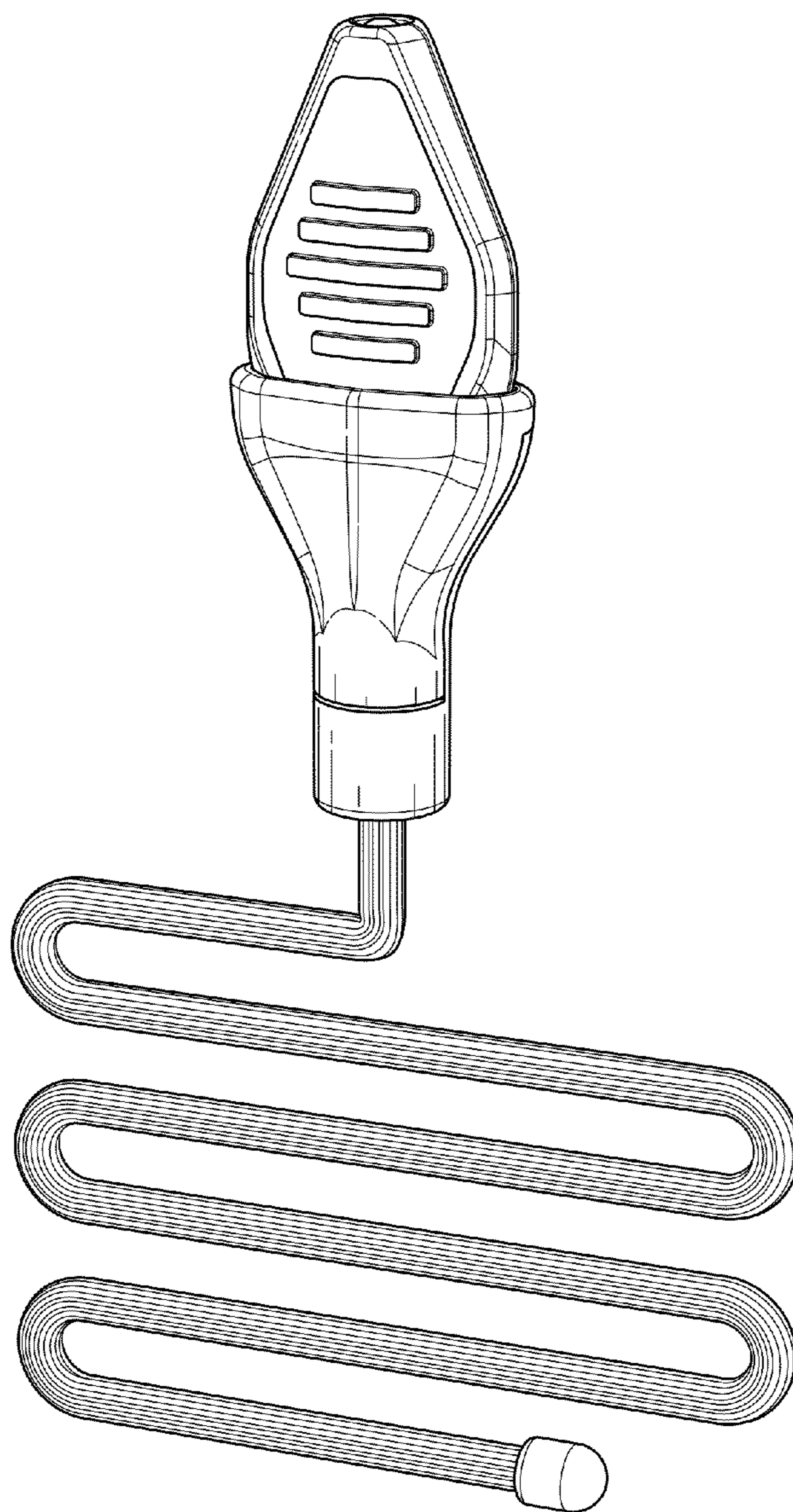


FIG. 1

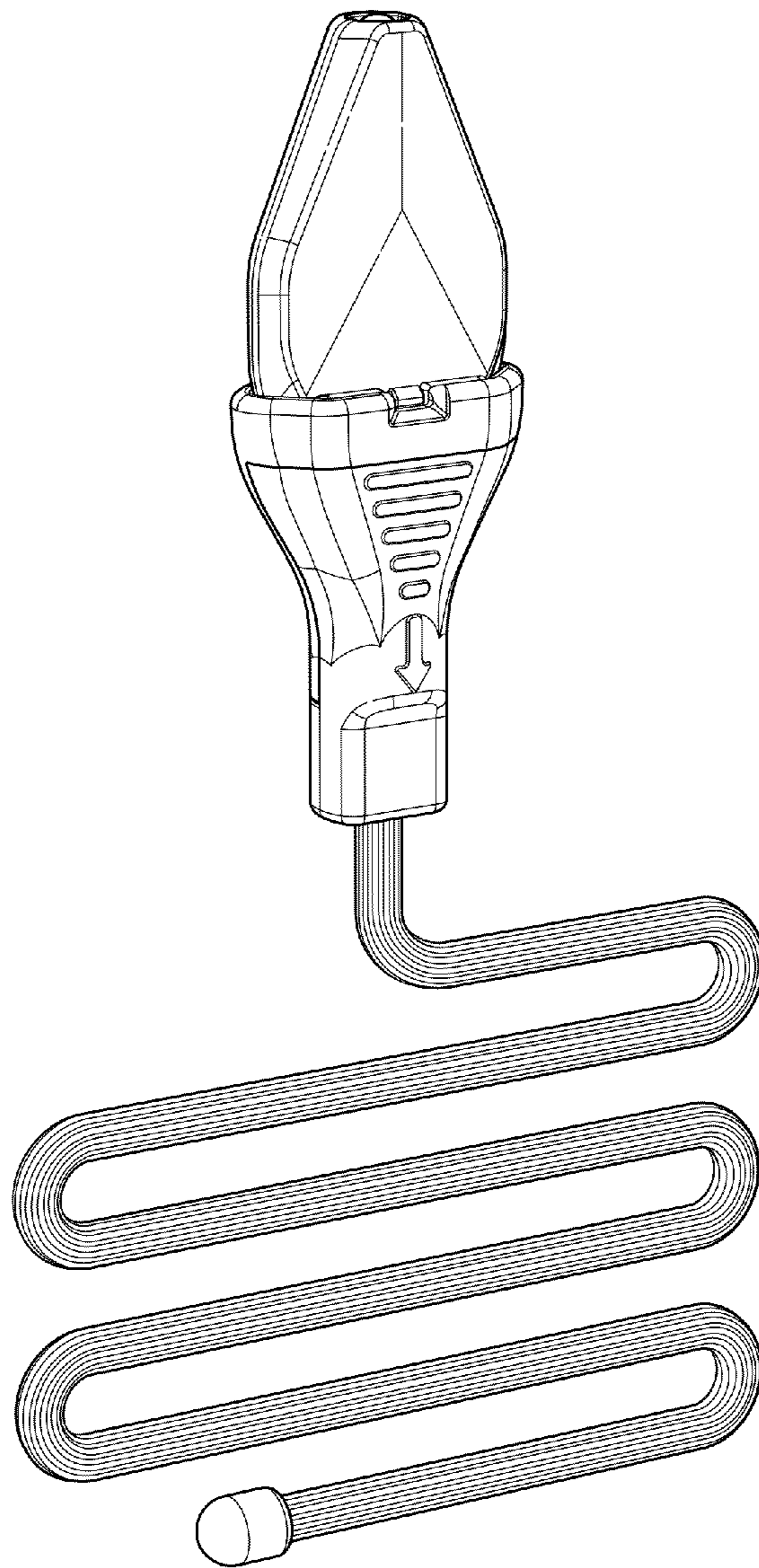


FIG. 2

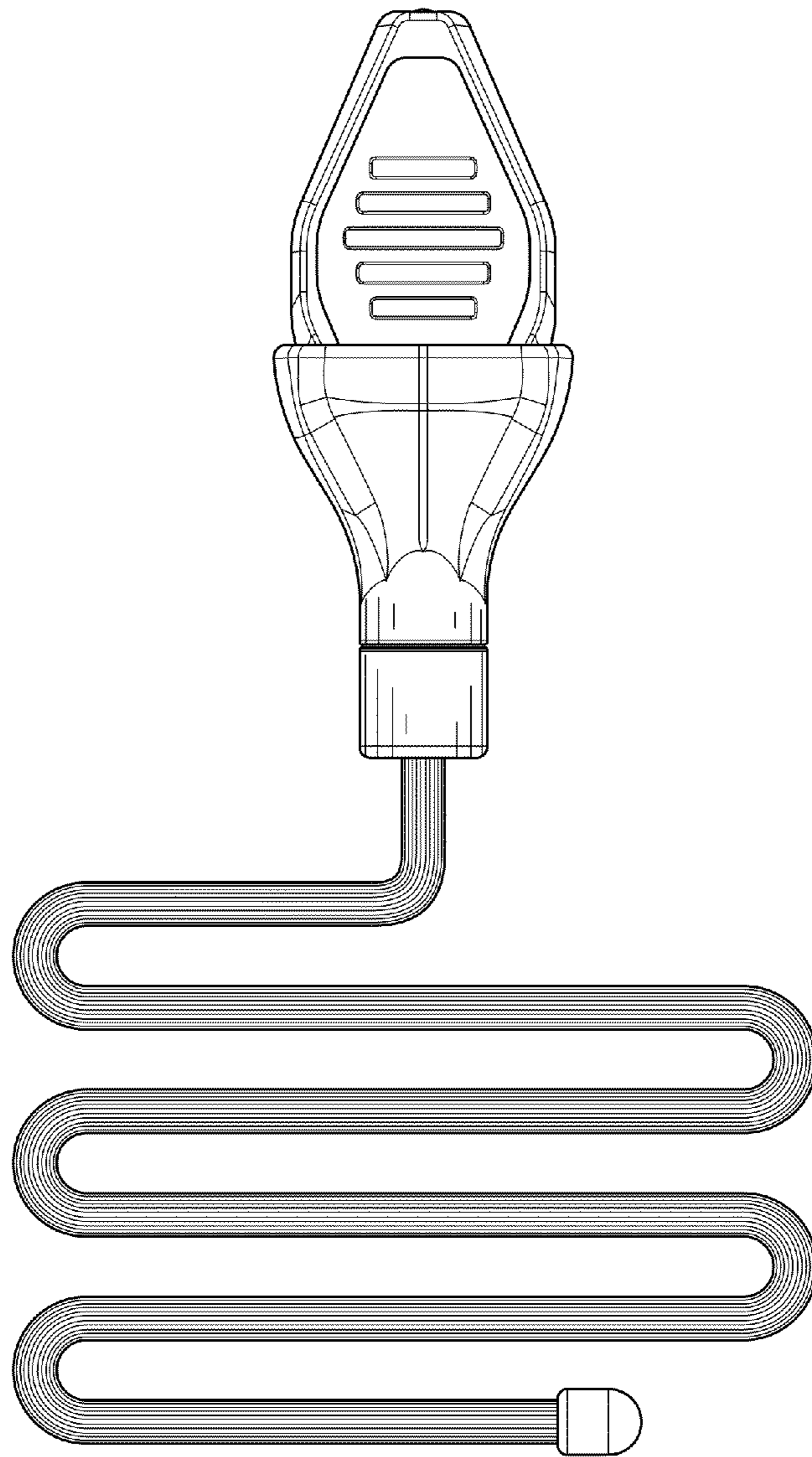


FIG. 3

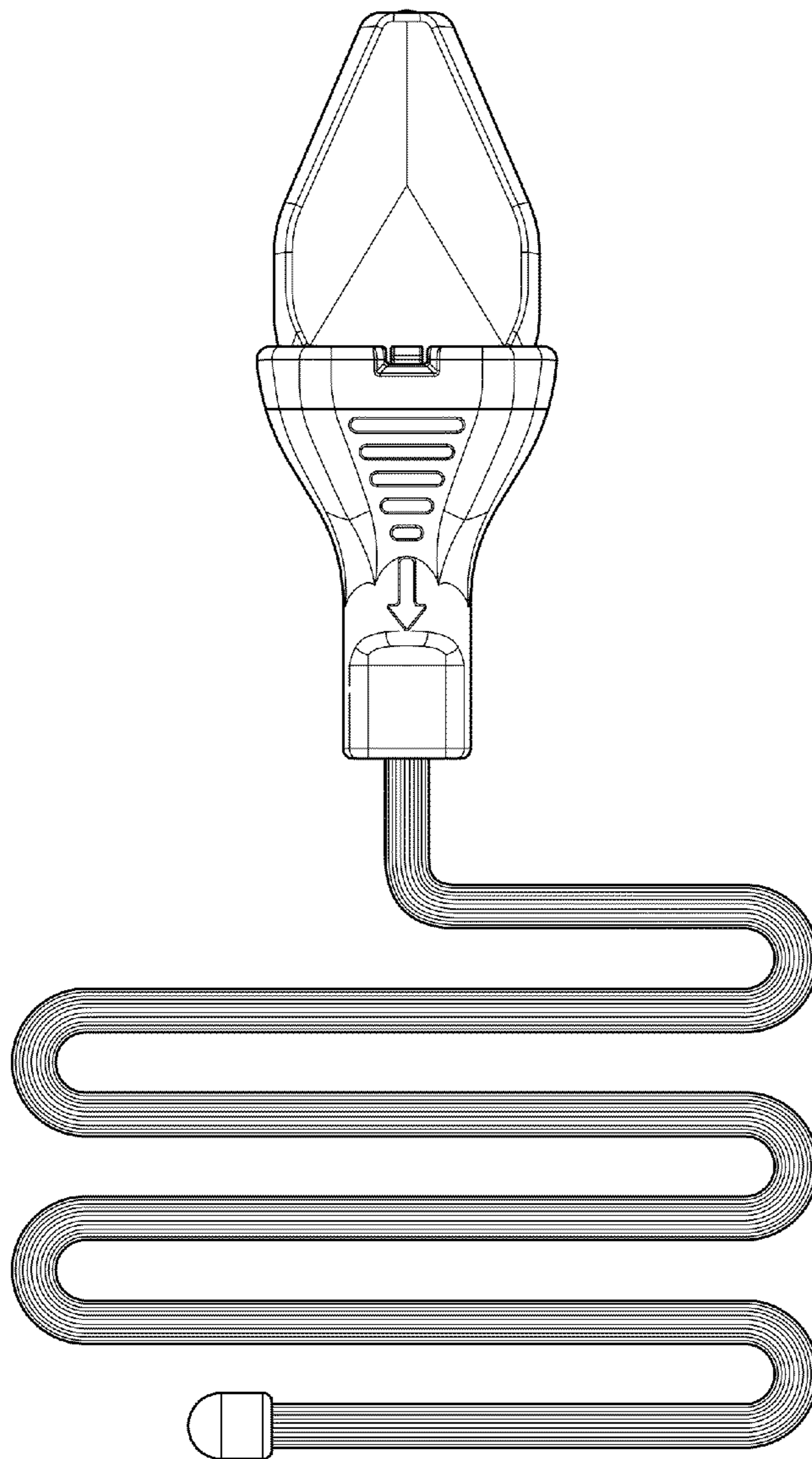


FIG. 4

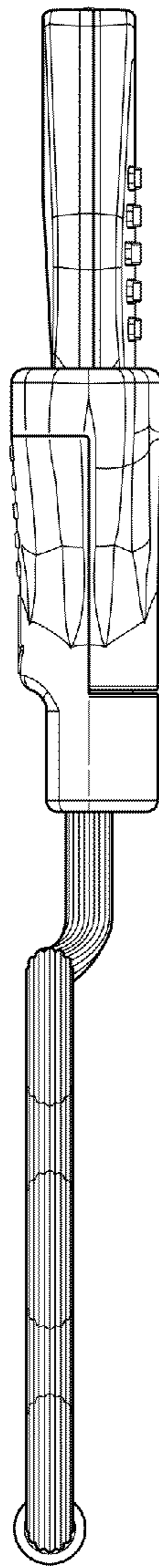


FIG. 5

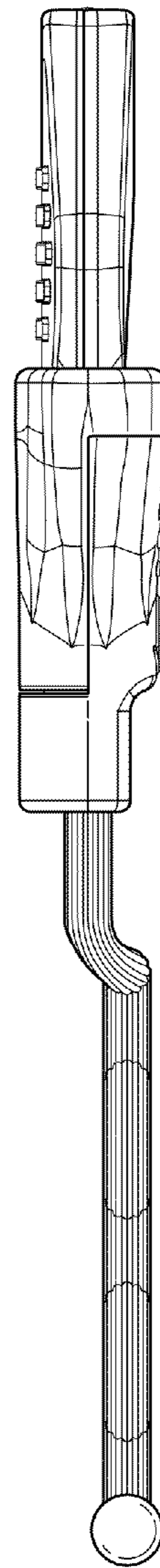


FIG. 6

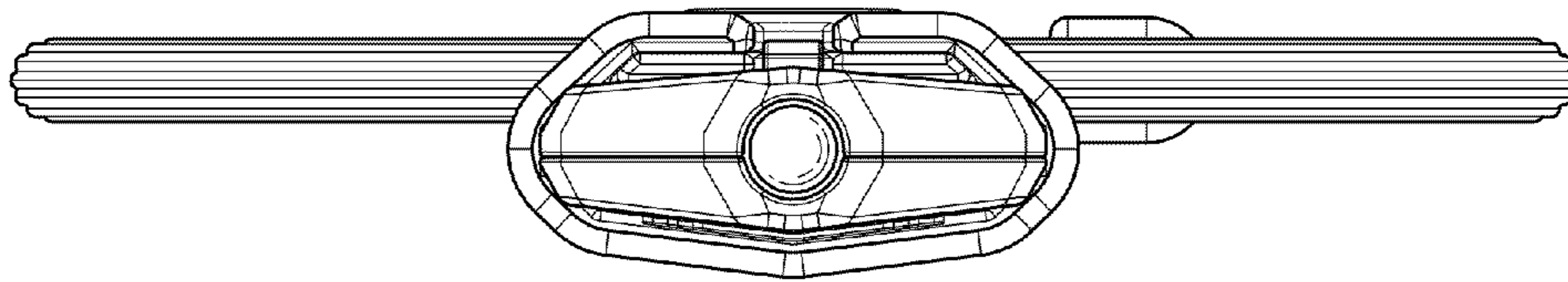


FIG. 7

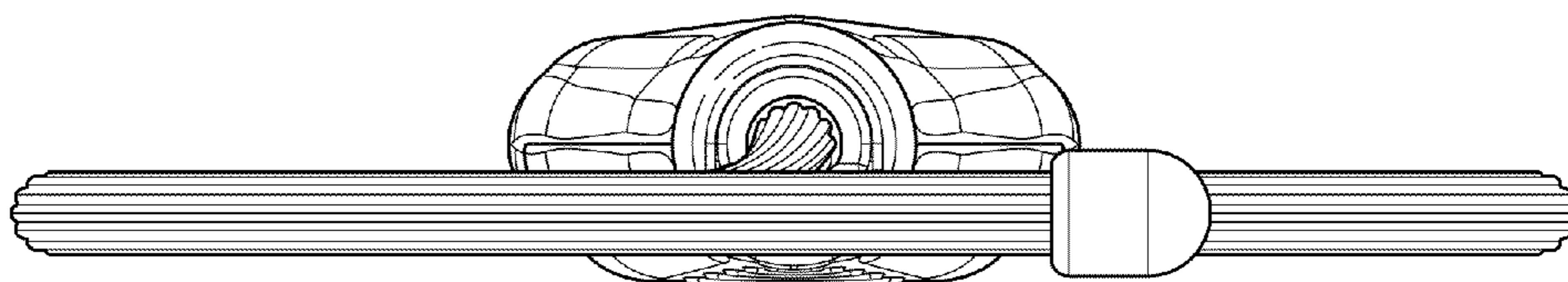


FIG. 8