

US00D669617S

(12) **United States Design Patent**
Huckestein et al.

(10) **Patent No.:** **US D669,617 S**

(45) **Date of Patent:** **** Oct. 23, 2012**

(54) **PORTABLE READING LIGHT**

(76) Inventors: **William Huckestein**, Ventura, CA (US);
Scott Kim, Ventura, CA (US)

(**) Term: **14 Years**

(21) Appl. No.: **29/413,576**

(22) Filed: **Feb. 16, 2012**

(51) **LOC (9) Cl.** **26-05**

(52) **U.S. Cl.** **D26/60**

(58) **Field of Classification Search** D26/60-66,
D26/37, 43, 44; 362/98, 99, 157, 269, 270,
362/274, 277, 278, 280, 282, 284, 285, 287,
362/288, 396, 227, 232, 249.01-249.04,
362/249.07, 418, 427, 800, 249.1, 249.11,
362/430, 449, 187, 188, 190, 191, 197, 198,
362/640, 268

See application file for complete search history.

(56) **References Cited**

U.S. PATENT DOCUMENTS

D397,478 S *	8/1998	Booty, Jr.	D26/65
D427,703 S *	7/2000	Chan	D26/60
6,142,644 A *	11/2000	Leung	362/98
D497,216 S *	10/2004	Lee	D26/60
D542,451 S *	5/2007	Chan	D26/60
D563,013 S *	2/2008	Levine	D26/63

D563,014 S *	2/2008	Levine	D26/63
D599,494 S *	9/2009	Levine	D26/61
7,686,467 B2 *	3/2010	Nelson et al.	362/98
D623,336 S *	9/2010	Levine	D26/65
D655,433 S *	3/2012	Levine	D26/65
D662,641 S *	6/2012	Levine	D26/65

* cited by examiner

Primary Examiner — Susan M Lee

Assistant Examiner — Linda G. Brooks

(74) *Attorney, Agent, or Firm* — QuickPatents, Inc.; Kevin Prince

(57) **CLAIM**

We claim the ornamental design for a portable reading light, as shown and described.

DESCRIPTION

FIG. 1 is a perspective view of a portable reading light, showing our new design in a collapsed configuration;

FIG. 2 is a perspective view thereof, illustrated in a deployed configuration;

FIG. 3 is a front elevational view of FIG. 1;

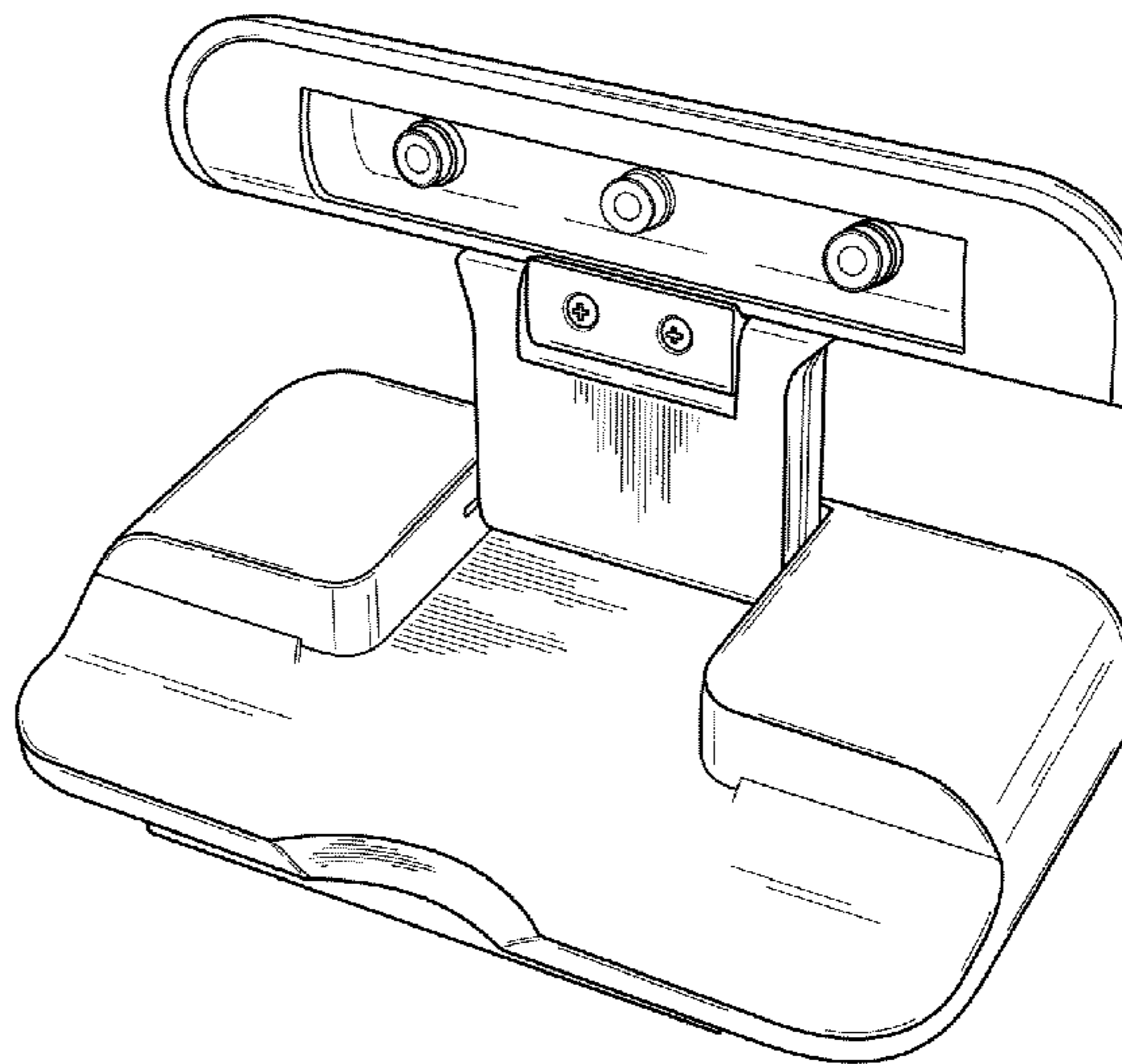
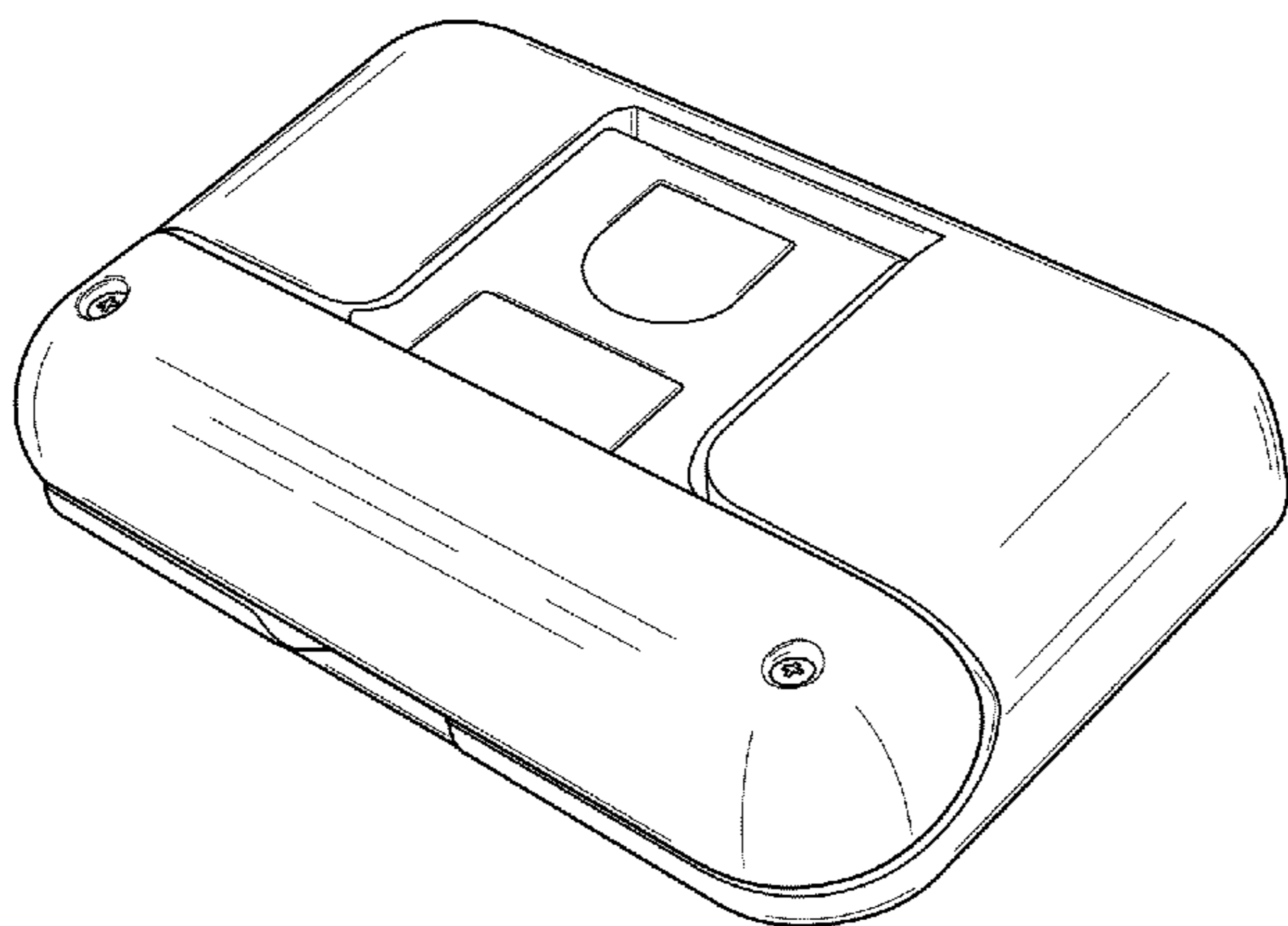
FIG. 4 is a rear elevational view of FIG. 1;

FIG. 5 is a left-side elevational view of FIG. 1, the right-side elevational view being a mirror image thereof;

FIG. 6 is a top plan view of FIG. 1; and,

FIG. 7 is a bottom plan view of FIG. 1.

1 Claim, 3 Drawing Sheets



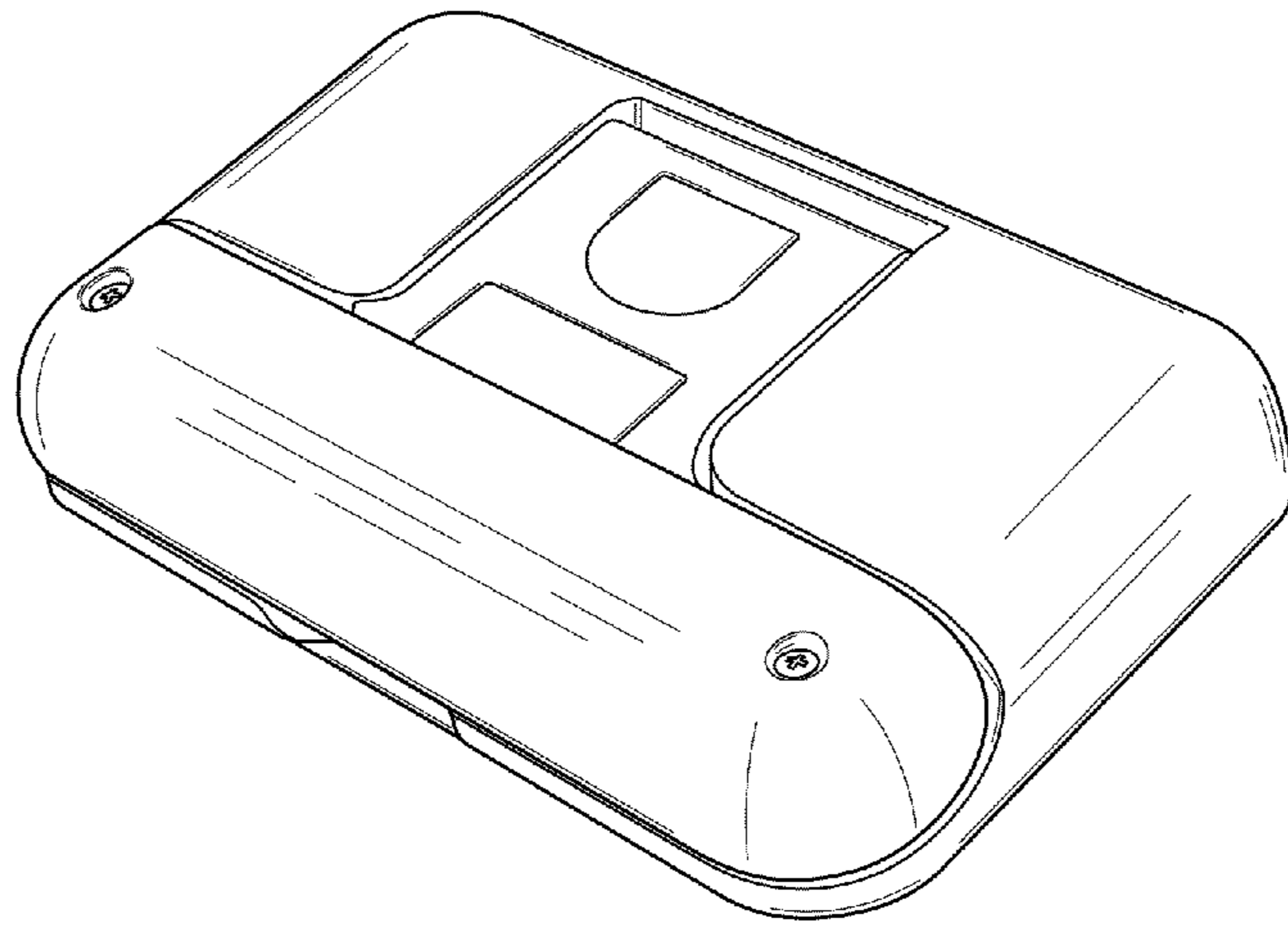


FIG. 1

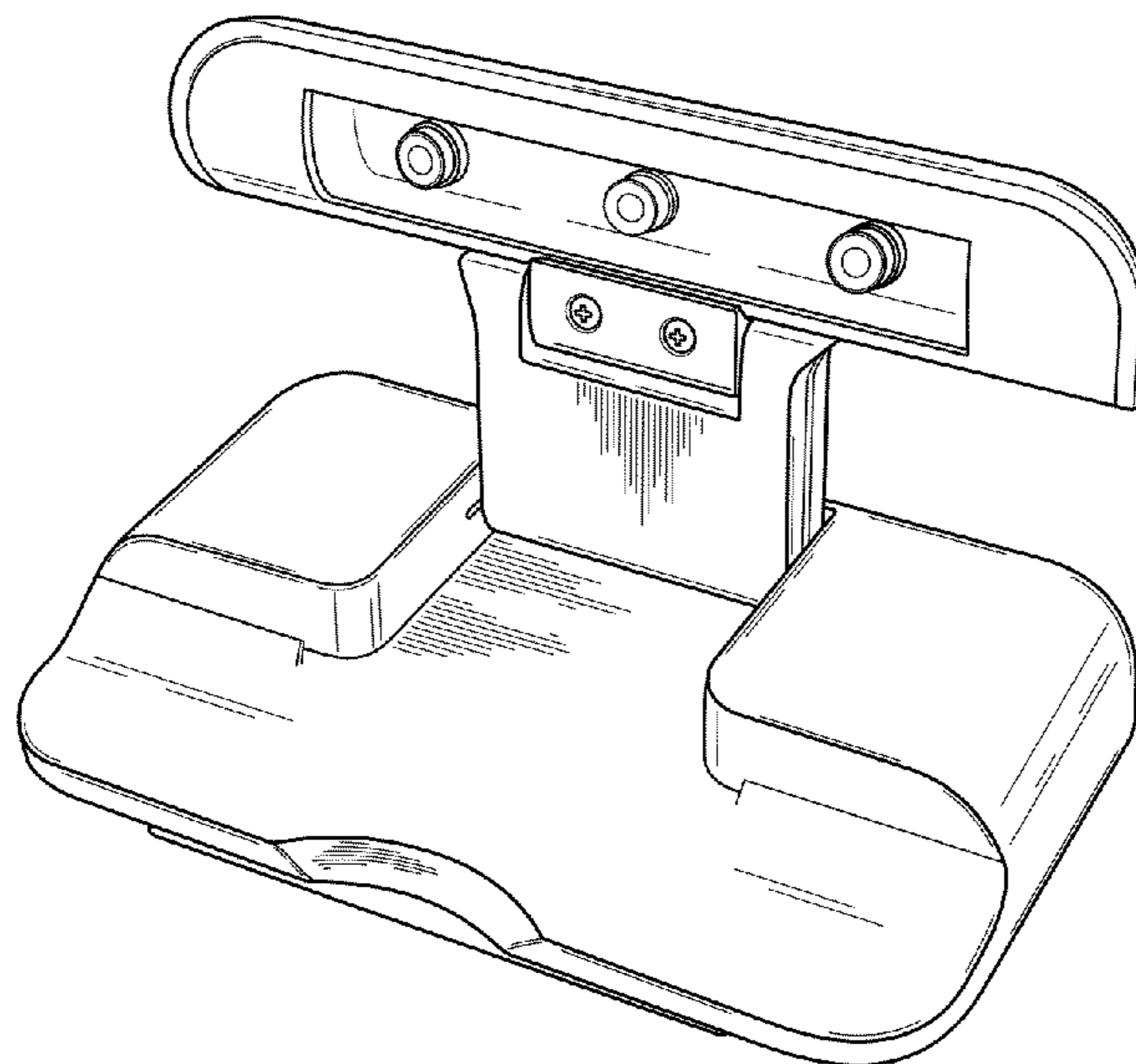


FIG. 2

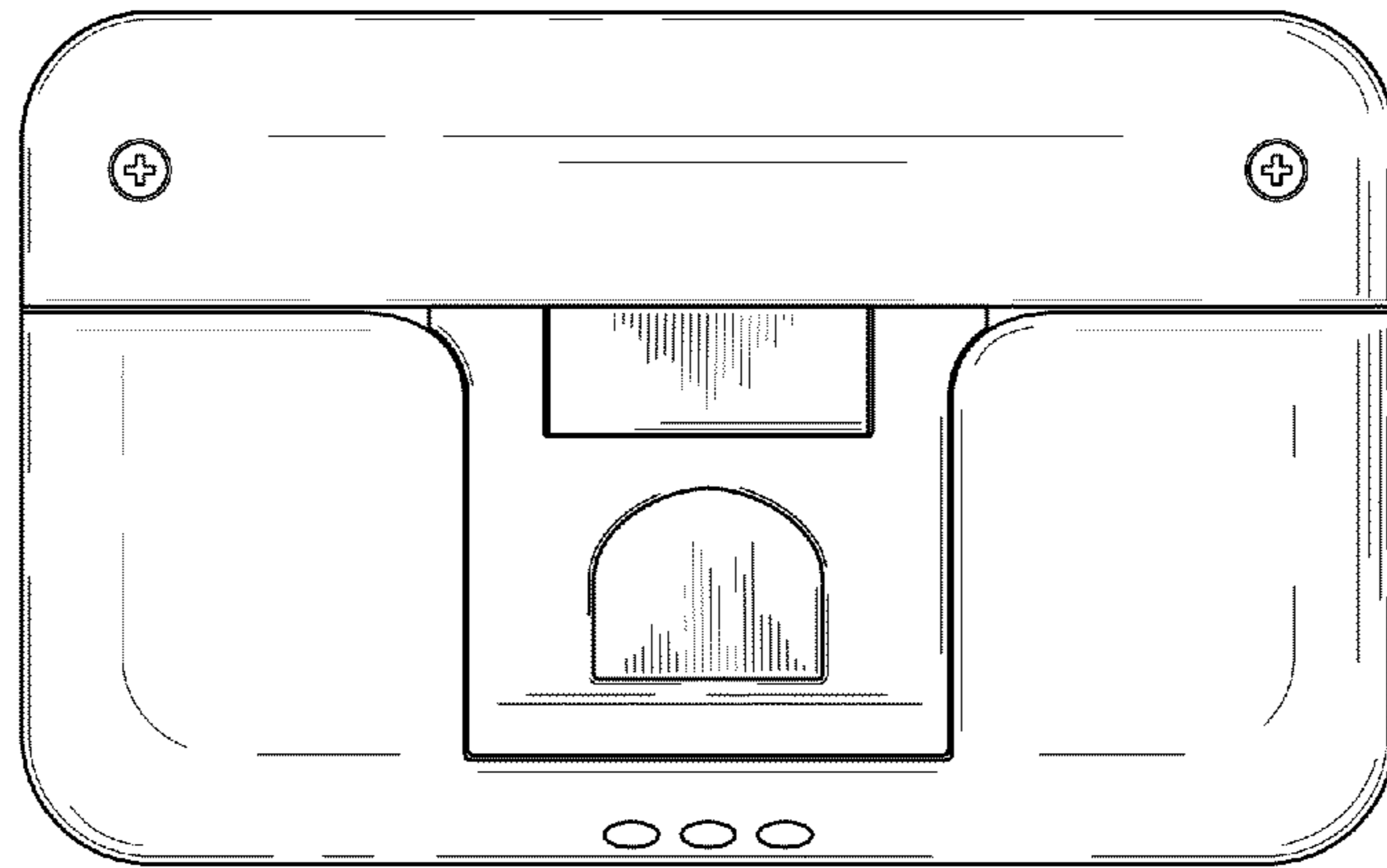


FIG. 3

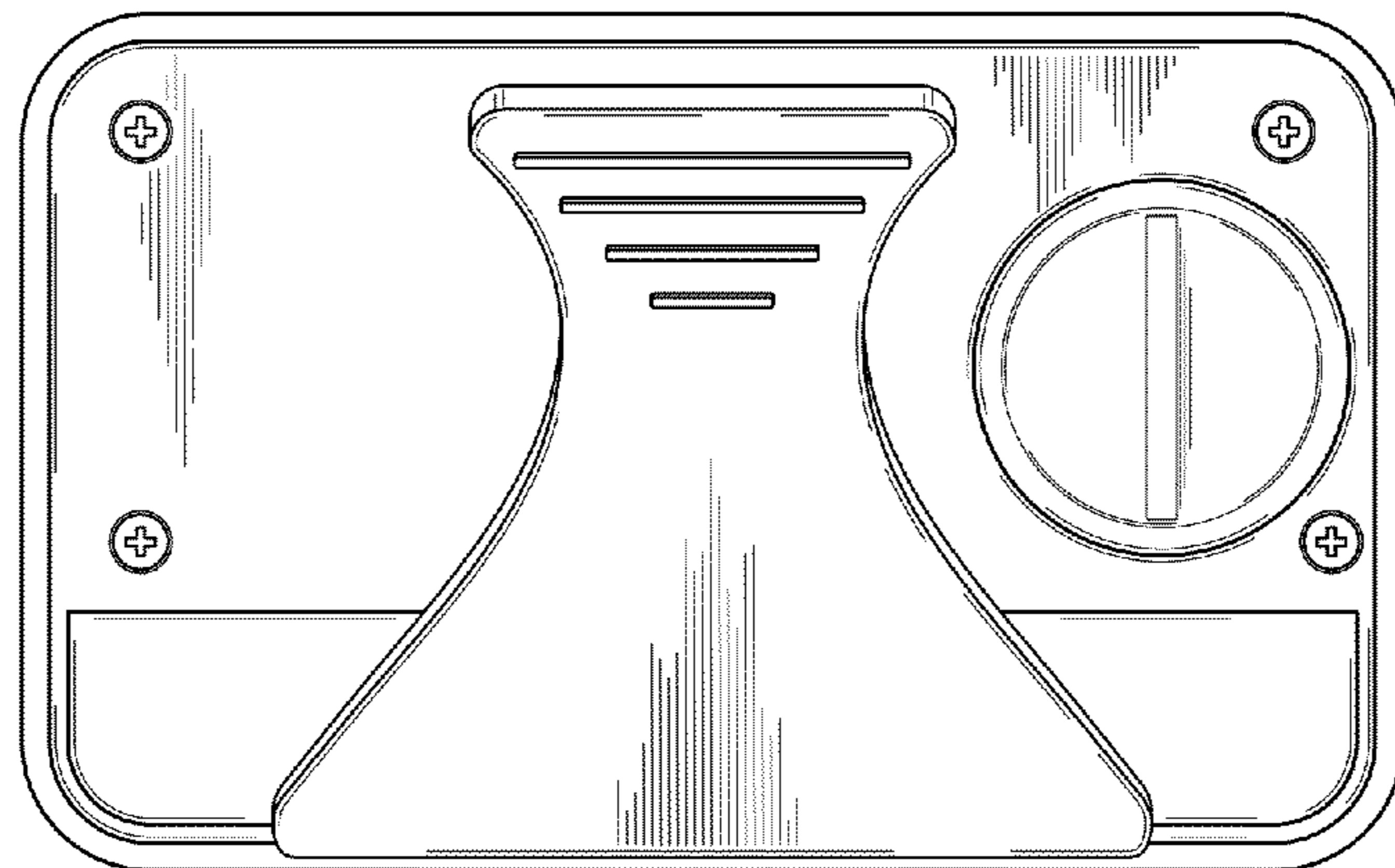


FIG. 4

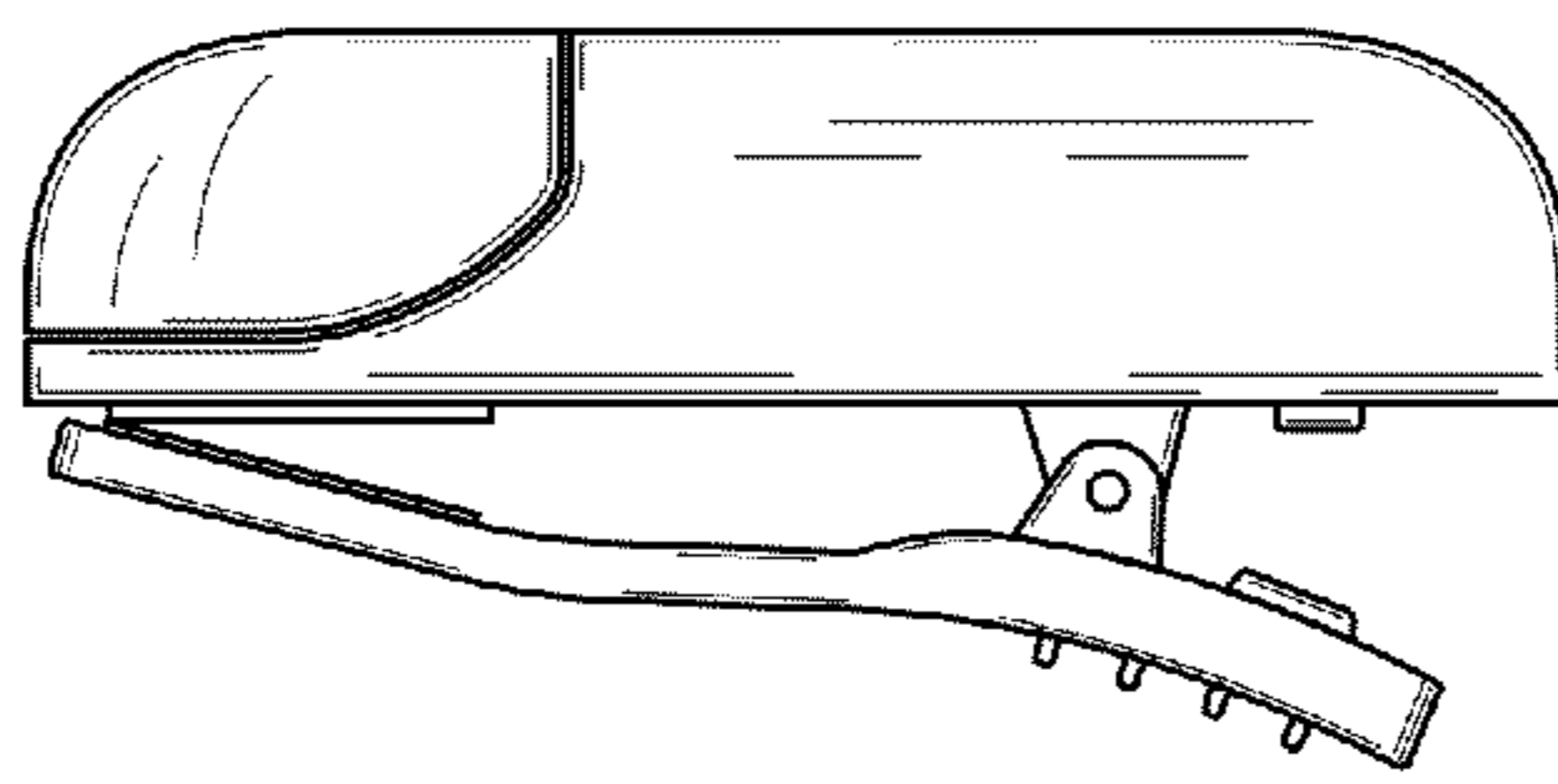


FIG. 5

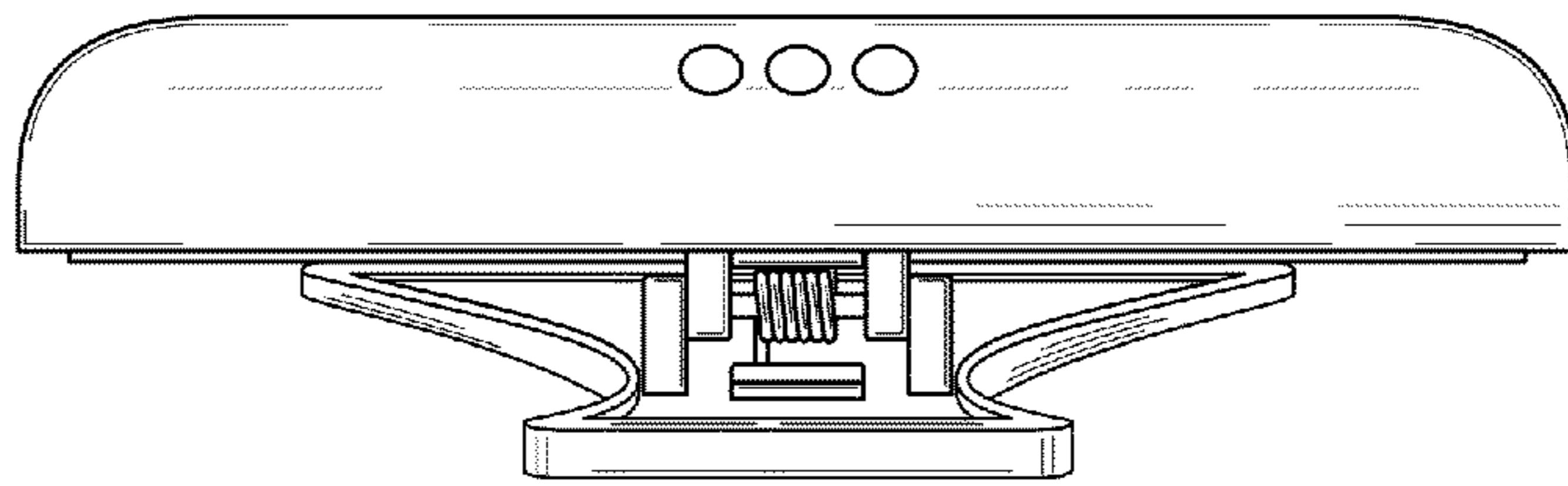


FIG. 6

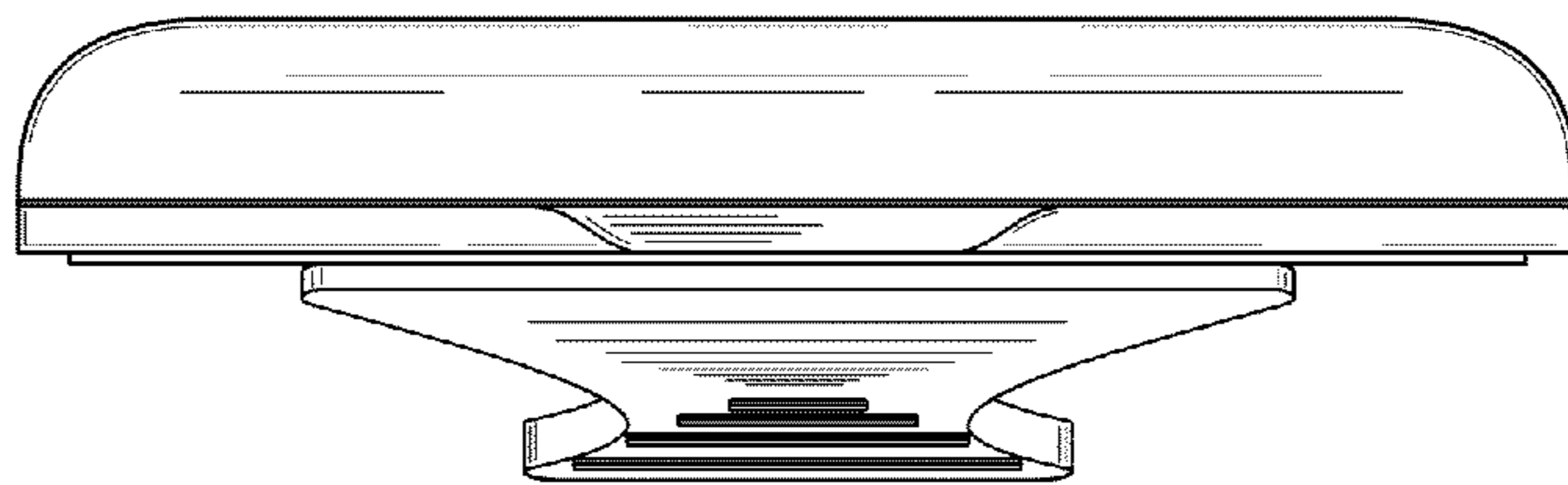


FIG. 7