

US00D669611S

(12) **United States Design Patent**
Yamamoto et al.

(10) **Patent No.:** **US D669,611 S**
(45) **Date of Patent:** **** Oct. 23, 2012**

- (54) **LIGHT EMITTING DIODE LAMP**
- (75) Inventors: **Junichiro Yamamoto**, Kanagawa (JP);
Shigeru Motoki, Tokyo (JP)
- (73) Assignee: **Toshiba Lighting & Technology Corporation**, Kanagawa (JP)
- (**) Term: **14 Years**
- (21) Appl. No.: **29/415,120**
- (22) Filed: **Mar. 7, 2012**
- (30) **Foreign Application Priority Data**
Sep. 28, 2011 (JP) 2011-022112
- (51) **LOC (9) Cl.** **26-04**
- (52) **U.S. Cl.** **D26/2**
- (58) **Field of Classification Search** D26/1-4;
313/313, 315, 316, 317, 318, 493; 315/52,
315/53, 56, 57, 58
See application file for complete search history.

D600,368 S *	9/2009	Bertram et al.	D26/2
D610,272 S *	2/2010	Guo et al.	D26/2
D646,808 S *	10/2011	Shi	D26/2

FOREIGN PATENT DOCUMENTS

JP	D578530	6/1982
JP	D1030431	1/1999
JP	D1239436	5/2005
JP	D1383512	3/2010
JP	D1383513	3/2010
JP	D1426353	10/2011

* cited by examiner

Primary Examiner — Marcus Jackson
(74) *Attorney, Agent, or Firm* — J.C. Patents

(57) **CLAIM**

The ornamental design for a light emitting diode lamp, as shown and described.

DESCRIPTION

FIG. 1 is a perspective view of a light emitting diode lamp showing our new design;
FIG. 2 is a front view thereof;
FIG. 3 is a rear view thereof;
FIG. 4 is a left side view thereof;
FIG. 5 is a right side view thereof;
FIG. 6 is a top view thereof; and,
FIG. 7 is a bottom view thereof.

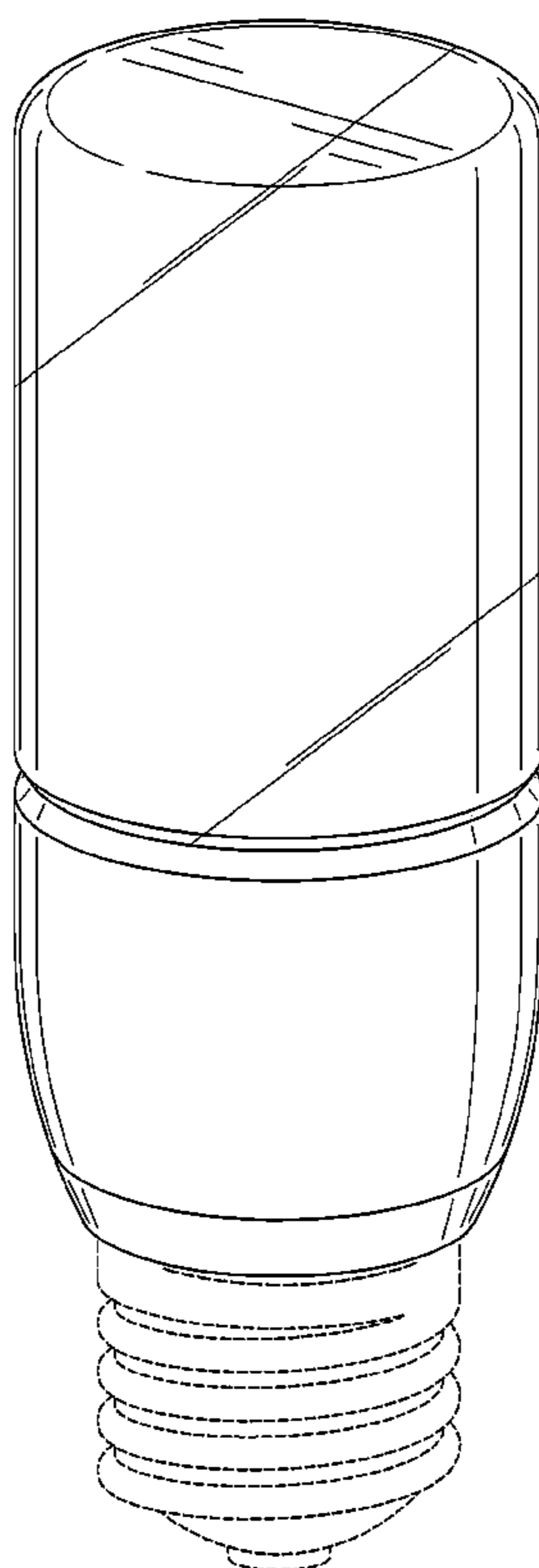
The portions shown in broken lines form no part of the claimed design.

1 Claim, 7 Drawing Sheets

(56) **References Cited**

U.S. PATENT DOCUMENTS

D543,288 S *	5/2007	Bembridge	D26/2
D544,109 S *	6/2007	Tsuruha et al.	D26/2
D558,904 S *	1/2008	Tsuruha et al.	D26/2
D579,130 S *	10/2008	Hernandez et al.	D26/2



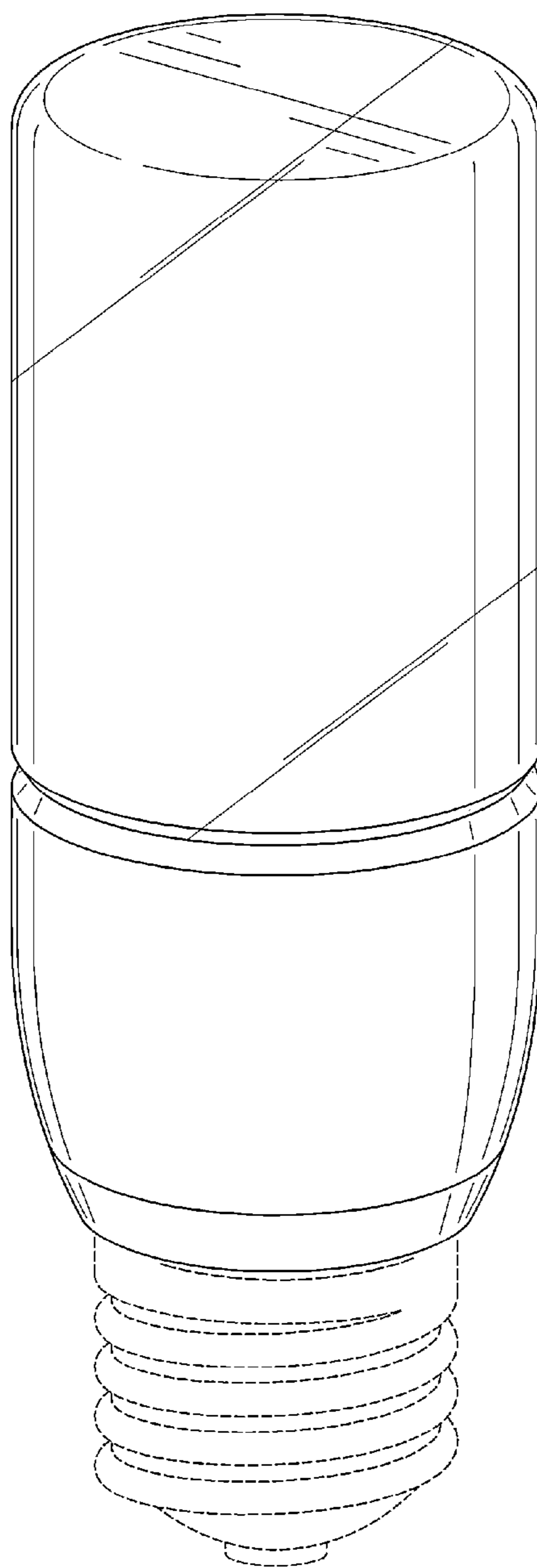


FIG. 1

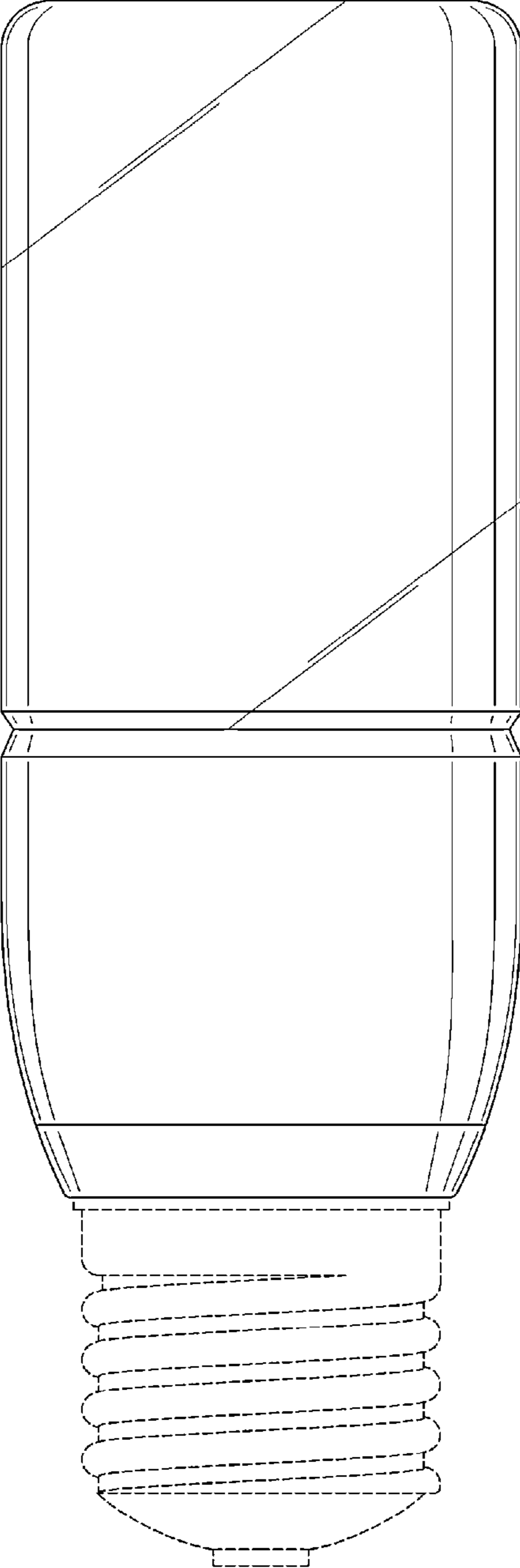


FIG. 2

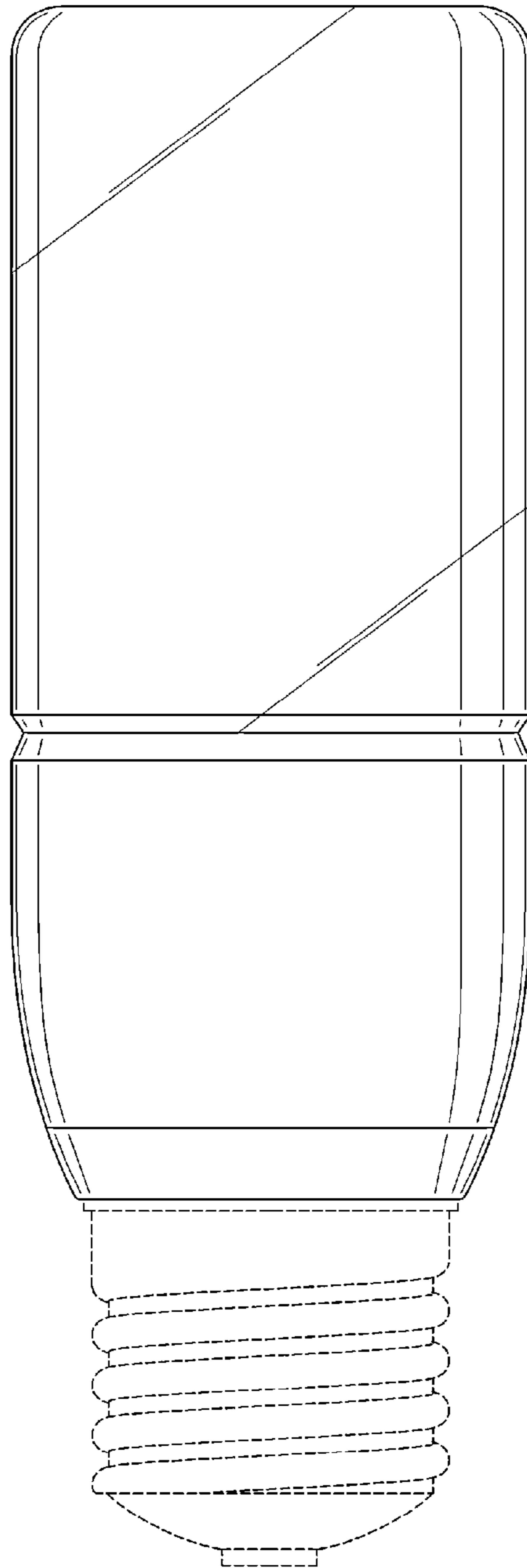


FIG. 3

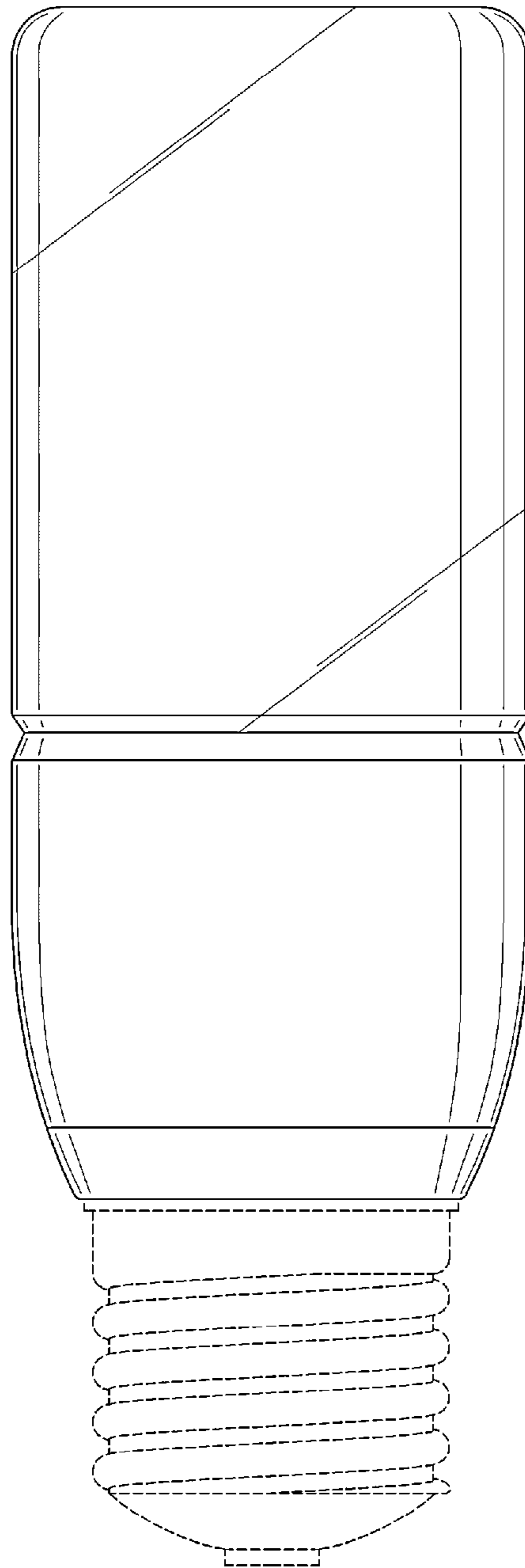


FIG. 4

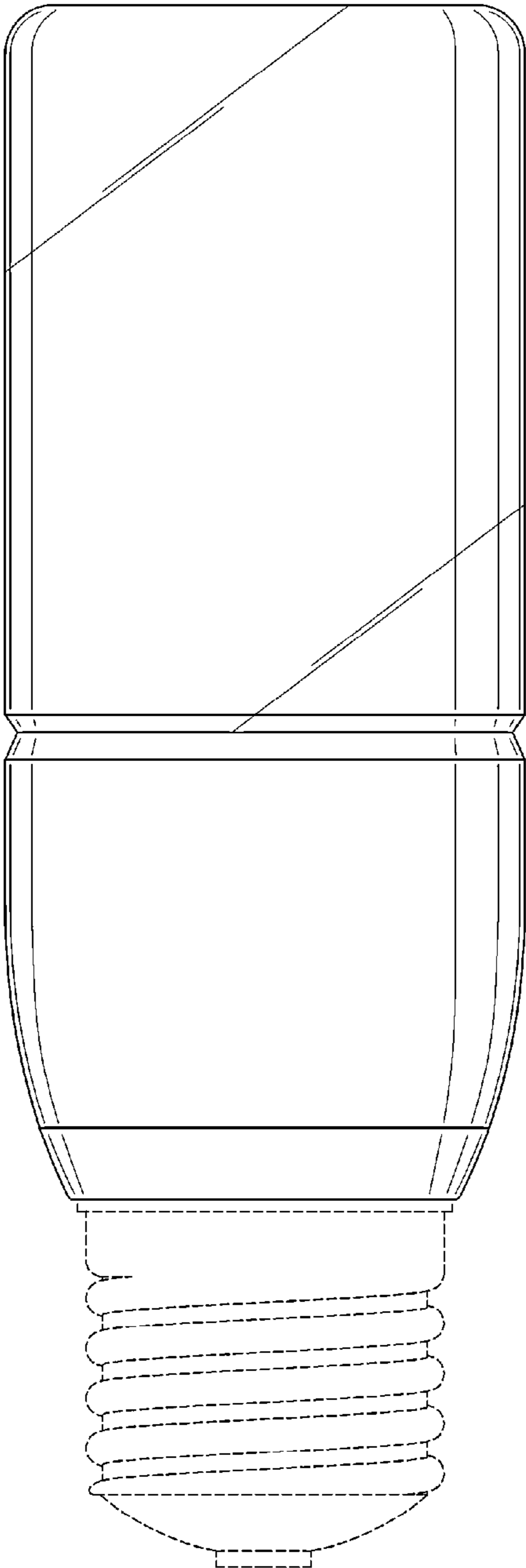


FIG. 5

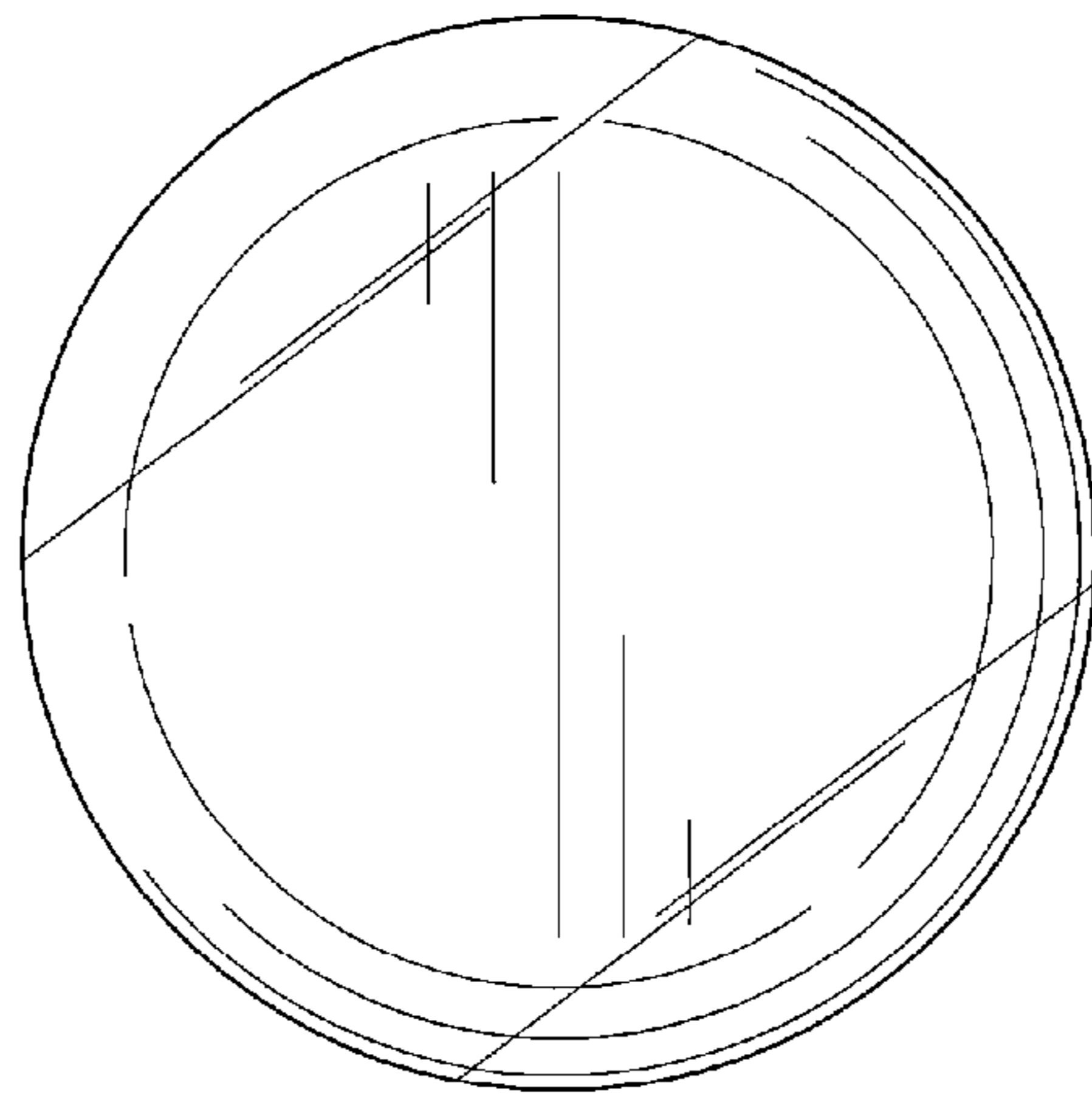


FIG. 6

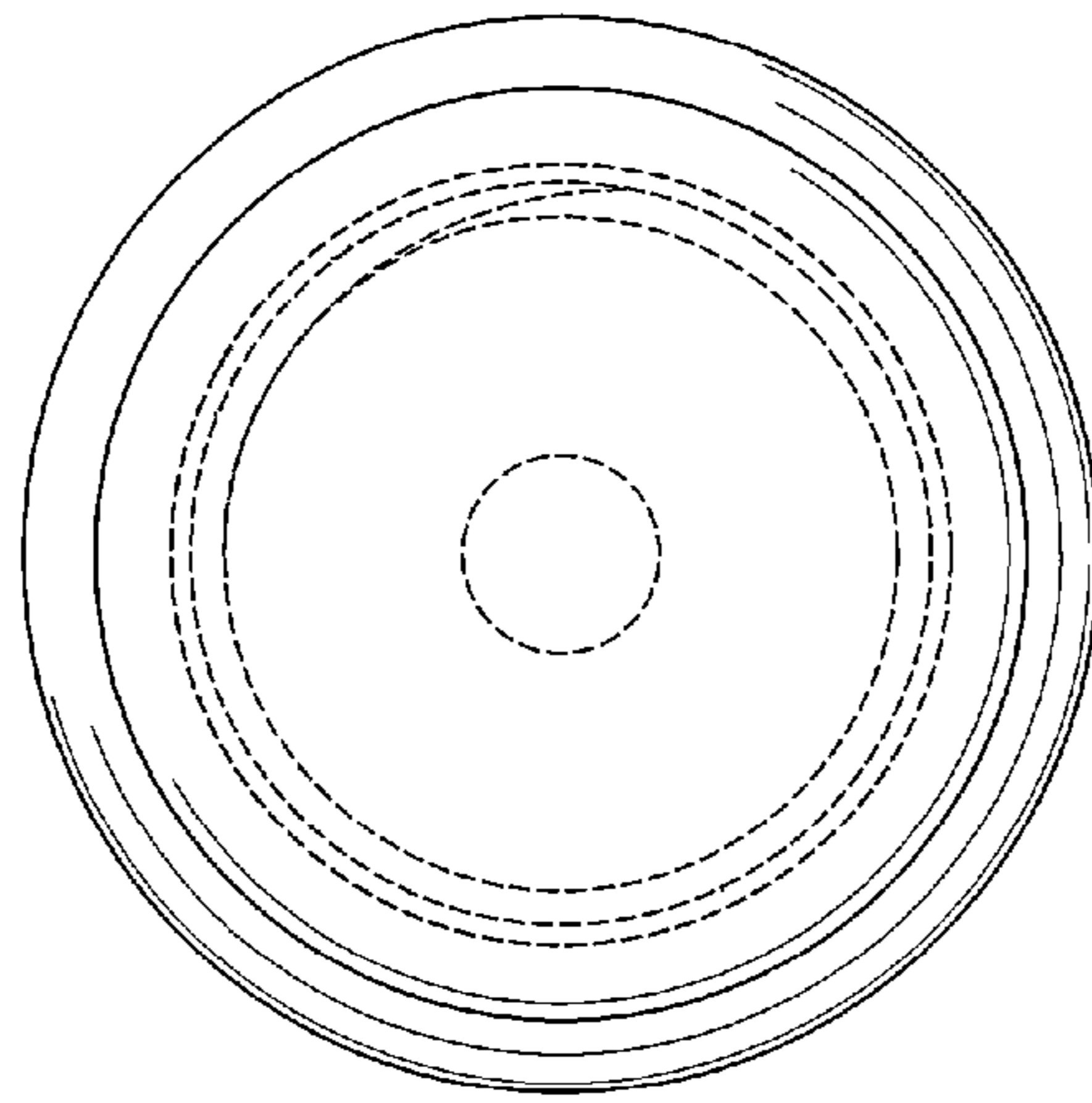


FIG. 7