



US00D669607S

(12) **United States Design Patent**
Maxik et al.

(10) **Patent No.:** **US D669,607 S**
(45) **Date of Patent:** **** Oct. 23, 2012**

(54) **LUMINAIRE**

(75) Inventors: **Fredric S. Maxik**, Indialantic, FL (US);
Addy S. Widjaja, Palm Bay, FL (US)

(73) Assignee: **Lighting Science Group Corporation**,
Westampton, NJ (US)

(**) Term: **14 Years**

(21) Appl. No.: **29/411,105**

(22) Filed: **Jan. 17, 2012**

Related U.S. Application Data

(62) Division of application No. 29/336,987, filed on May
13, 2009, now Pat. No. Des. 654,192.

(51) **LOC (9) Cl.** **26-04**

(52) **U.S. Cl.** **D26/2**

(58) **Field of Classification Search** D26/1-4;
313/313, 315, 316, 317, 318, 493; 315/52,
315/53, 56, 57, 58

See application file for complete search history.

(56) **References Cited**

U.S. PATENT DOCUMENTS

4,375,607 A 3/1983 Morton et al.
4,392,076 A 7/1983 Ishler et al.
D271,424 S 11/1983 Young et al.

(Continued)

FOREIGN PATENT DOCUMENTS

WO 2006118457 11/2006

(Continued)

OTHER PUBLICATIONS

SP-E27 LB60 Nicha / Cree LED Lamp, posted Dec. 18, 2008, http://www.diytrade.com/china/4/products/4950147/SP-E27_LB60_Nicha_Cree_LED_Lamp.html, accessed Jun. 30, 2009.

(Continued)

Primary Examiner — Marcus Jackson

(74) *Attorney, Agent, or Firm* — Cantor Colburn LLP

(57) **CLAIM**

We claim, the ornamental design for a luminaire, as shown and described.

DESCRIPTION

FIG. 1 is a first perspective view of an exemplary embodiment of the invention;

FIG. 2 is a second perspective view of the exemplary embodiment of FIG. 1;

FIG. 3 is a side plan view of the exemplary embodiment of FIG. 1, the luminaire being symmetric about a center axis;

FIG. 4 is a top plan view of the exemplary embodiment of FIG. 1; and,

FIG. 5 is a bottom plan view of the exemplary embodiment of FIG. 1.

The phantom lines shown in FIG. 1-FIG. 5 are environmental and not part of the claimed design.

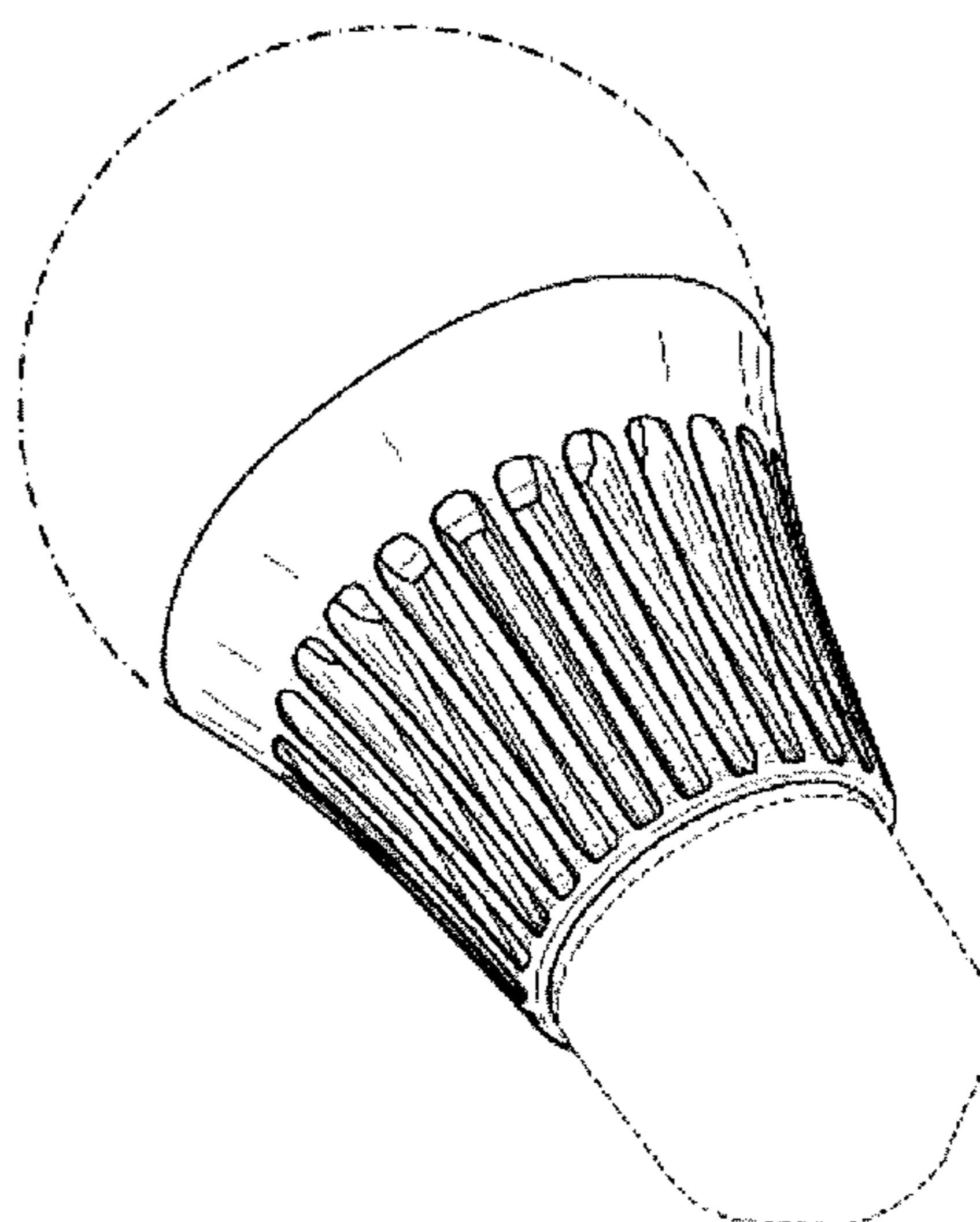
The color of the luminaire forms no part of the claimed design, a luminaire according to the claimed design may be of any color or combination of colors.

The dot-dash-dot lines shown in FIGS. 1-5 indicate that the degree of transparency and/or opaqueness of the globe of the luminaire forms no part of the claimed design. The globe of the claimed design may including faceting.

The surface treatment of the of the luminaire forms no part of the claimed design, a luminaire according to the claimed design may have any surface treatment.

References to “side”, “top”, and “bottom” in the figure descriptions are not meant to require certain in-use orientation, a luminaire according to the claimed design may be used in any orientation.

1 Claim, 5 Drawing Sheets



US D669,607 S

Page 2

U.S. PATENT DOCUMENTS

D307,805 S 5/1990 Noe
D321,260 S 10/1991 Bowman
5,458,505 A 10/1995 Prager
D391,006 S 2/1998 Yang
5,791,769 A 8/1998 Yang
D470,610 S 2/2003 Bobel
6,515,433 B1 2/2003 Ge et al.
D480,486 S 10/2003 Kakuno et al.
6,655,823 B2 12/2003 Chang
6,786,625 B2 9/2004 Wesson
D497,439 S 10/2004 Shaw et al.
6,848,812 B1 2/2005 Hsieh
D516,229 S 2/2006 Tang
D527,119 S 8/2006 Maxik et al.
D528,673 S 9/2006 Maxik et al.
D538,950 S 3/2007 Maxik
D538,951 S 3/2007 Maxik et al.
D538,952 S 3/2007 Maxik et al.
D541,957 S 5/2007 Wang
D545,457 S 6/2007 Chen
7,226,189 B2 6/2007 Lee et al.
D560,286 S 1/2008 Maxik et al.
7,367,688 B1 5/2008 Bucher et al.
D570,504 S 6/2008 Maxik et al.
D570,505 S 6/2008 Maxik et al.
D572,385 S 7/2008 Mazzochette et al.
7,434,964 B1 10/2008 Zheng et al.
D581,554 S 11/2008 To et al.
D581,583 S 11/2008 Peng
7,448,772 B2 11/2008 Hampton
D584,837 S 1/2009 Mazzochette et al.
D586,497 S 2/2009 Wu et al.
7,513,653 B1 4/2009 Liu et al.
D593,222 S 5/2009 To et al.
D594,143 S 6/2009 Montagnat et al.
D594,995 S 6/2009 Komar
D595,893 S 7/2009 Maxik et al.
D597,704 S 8/2009 Peng
D600,850 S 9/2009 Maxik et al.
D601,276 S 9/2009 Grajcar
D601,277 S 9/2009 Grajcar
D601,279 S 9/2009 Ou et al.

D607,586 S 1/2010 Ko
D608,478 S 1/2010 Maxik et al.
D610,271 S 2/2010 Bi
D610,722 S 2/2010 Bi
D612,956 S 3/2010 Moon
D613,433 S 4/2010 Moon
7,717,590 B1 5/2010 Li
D618,369 S 6/2010 Lee et al.
D620,153 S 7/2010 Wang et al.
D623,777 S 9/2010 Moon et al.
D623,778 S 9/2010 Moon et al.
D623,779 S 9/2010 Wang et al.
D624,214 S 9/2010 Thomas et al.
D624,215 S 9/2010 Moon et al.
D624,669 S 9/2010 Tsai
D625,437 S 10/2010 Zhang et al.
D626,260 S 10/2010 Wei
D626,667 S 11/2010 Jonsson et al.
D627,087 S 11/2010 Jonsson et al.
D628,322 S 11/2010 Sakai et al.
D629,930 S 12/2010 Cotter et al.
D634,031 S 3/2011 de Visser et al.
D635,105 S 3/2011 Maxik et al.
D659,266 S * 5/2012 Maxik et al. D26/2
2006/0215408 A1 9/2006 Lee
2007/0285926 A1 12/2007 Maxik
2008/0253125 A1 10/2008 Kang et al.
2009/0141500 A1 6/2009 Peng
2009/0296402 A1 12/2009 Chang et al.
2010/0027270 A1 2/2010 Huang et al.
2010/0091487 A1 4/2010 Shin

FOREIGN PATENT DOCUMENTS

WO 2008113837 A2 9/2008

OTHER PUBLICATIONS

F.S. Maxik, "GU10 Lamp" Office Action mailed Mar. 16, 2011; U.S. Appl. No. 29/340,670, filed Jul. 23, 2009.
<http://img.diytrade.com/cdimg/395588/7678937/...> <http://images.google.com/imgres?imgurl=http://img.diytrade.com/cdimg/3...>

* cited by examiner

FIG. 1

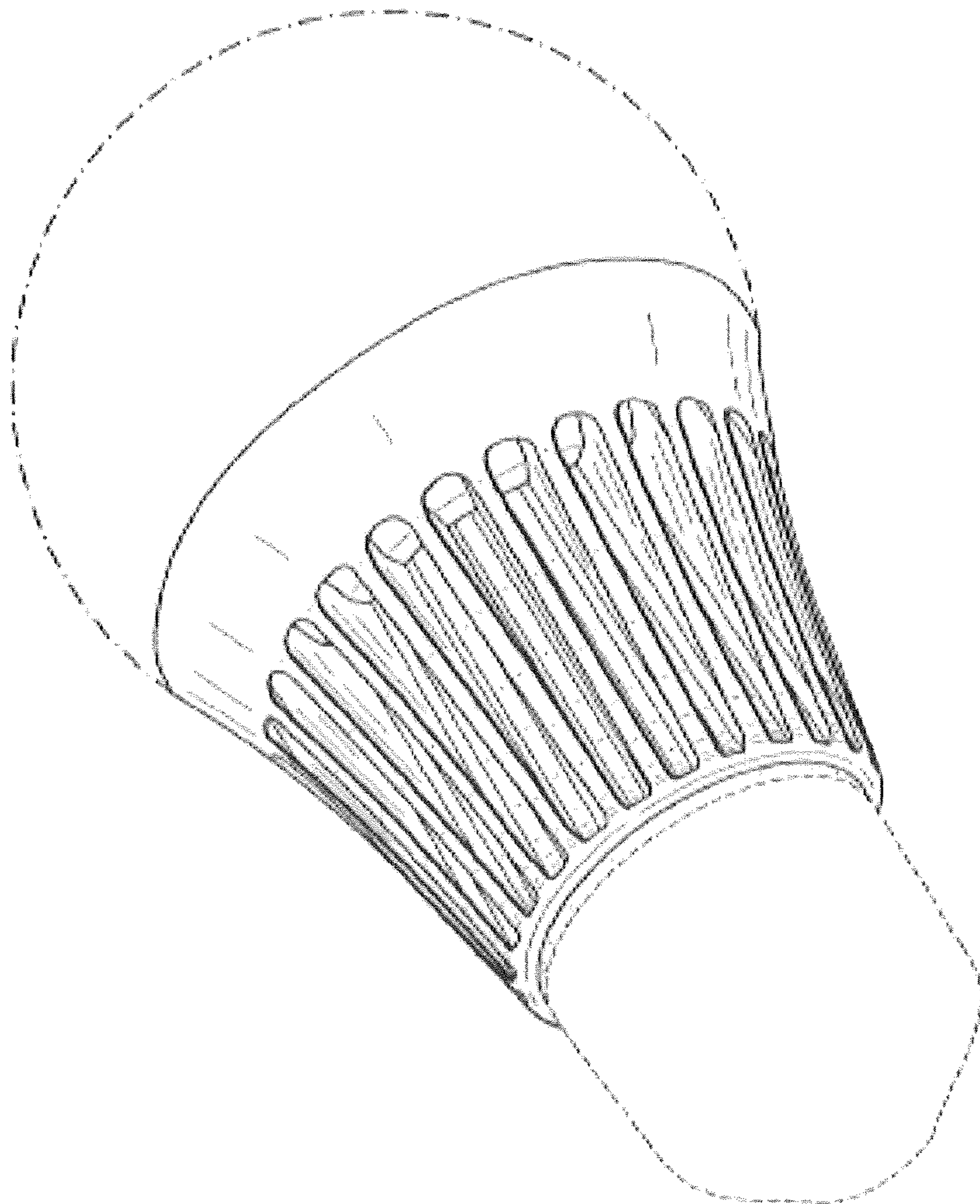


FIG. 2

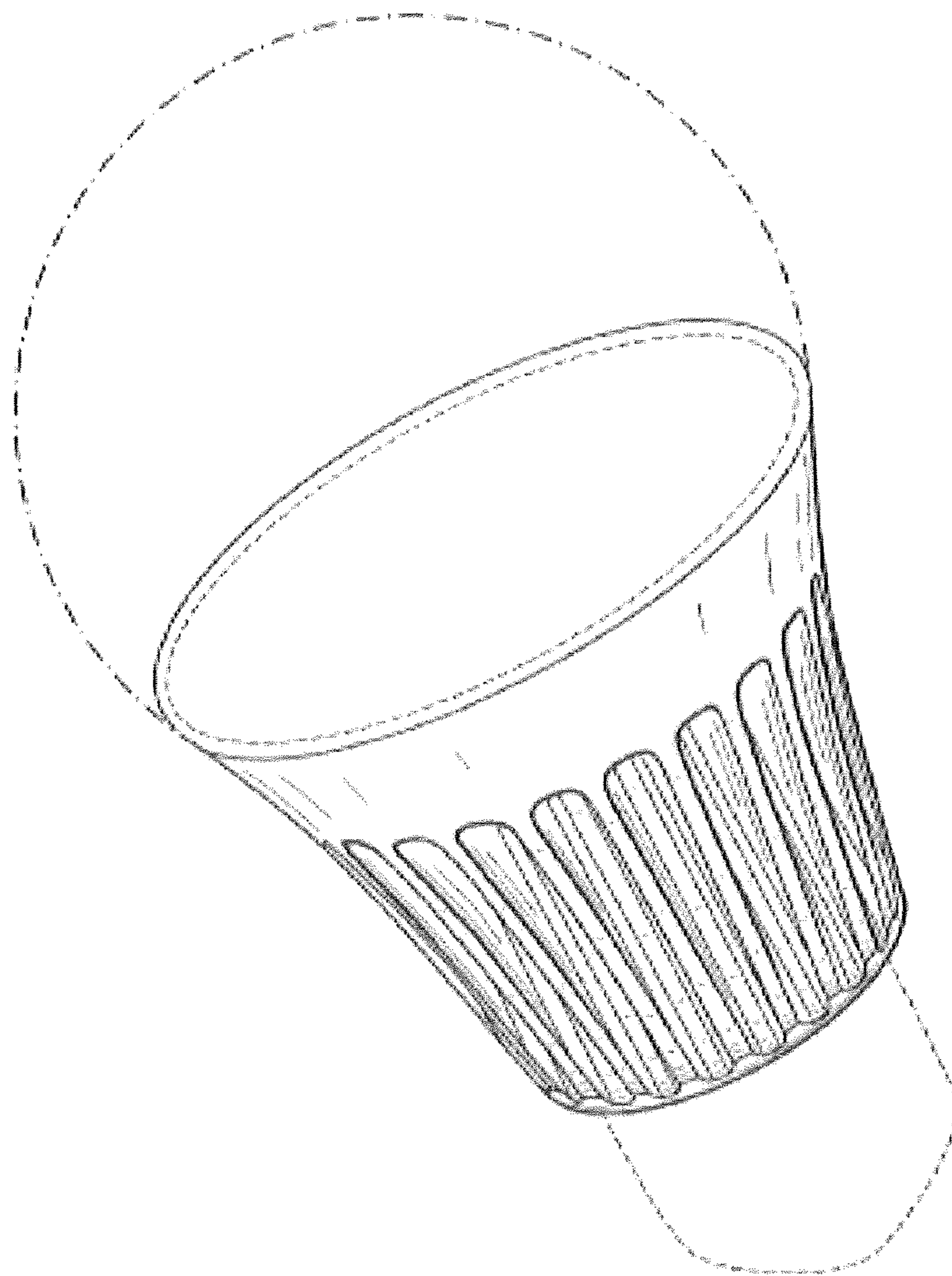


FIG. 3

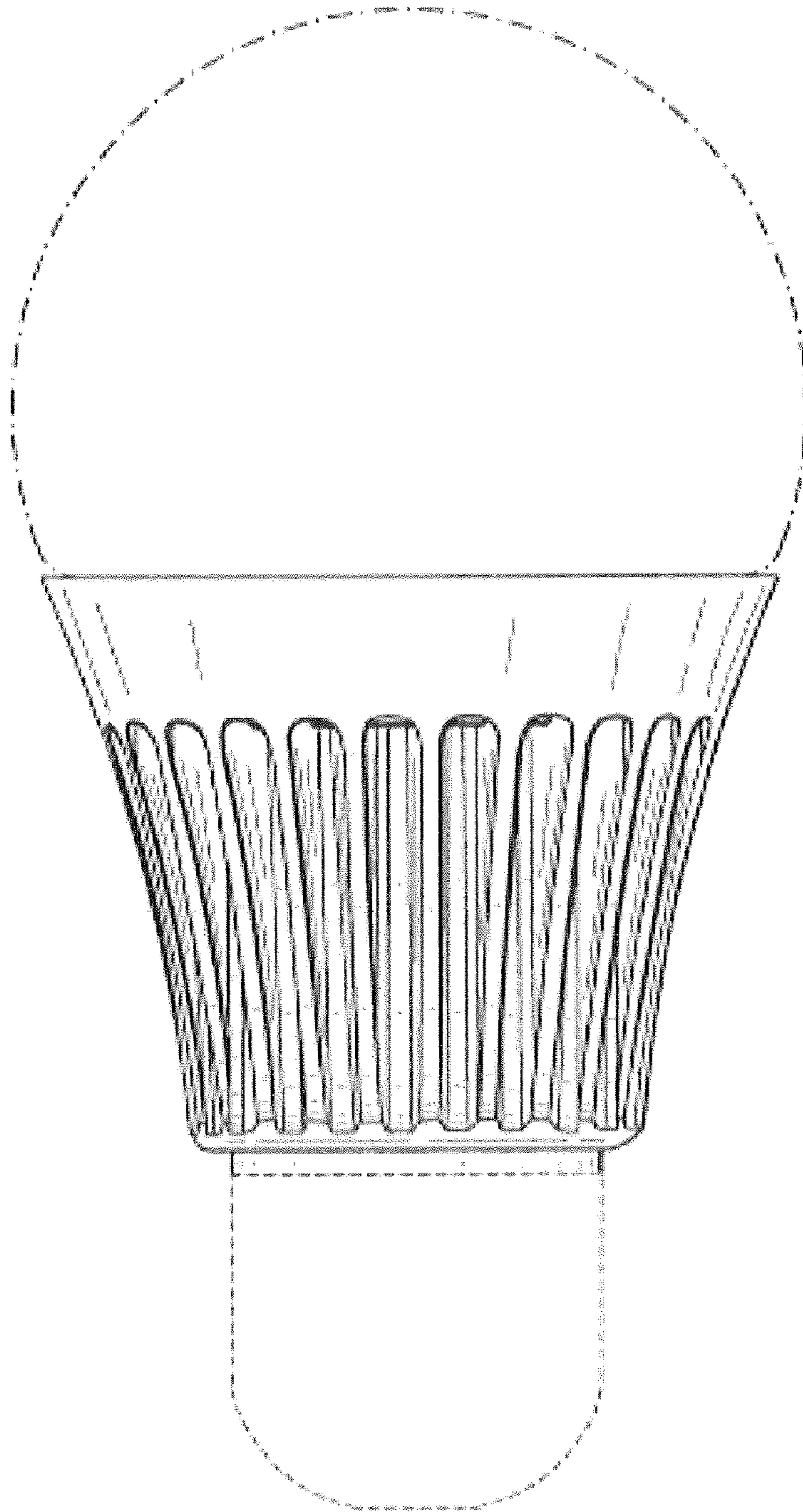


FIG. 4

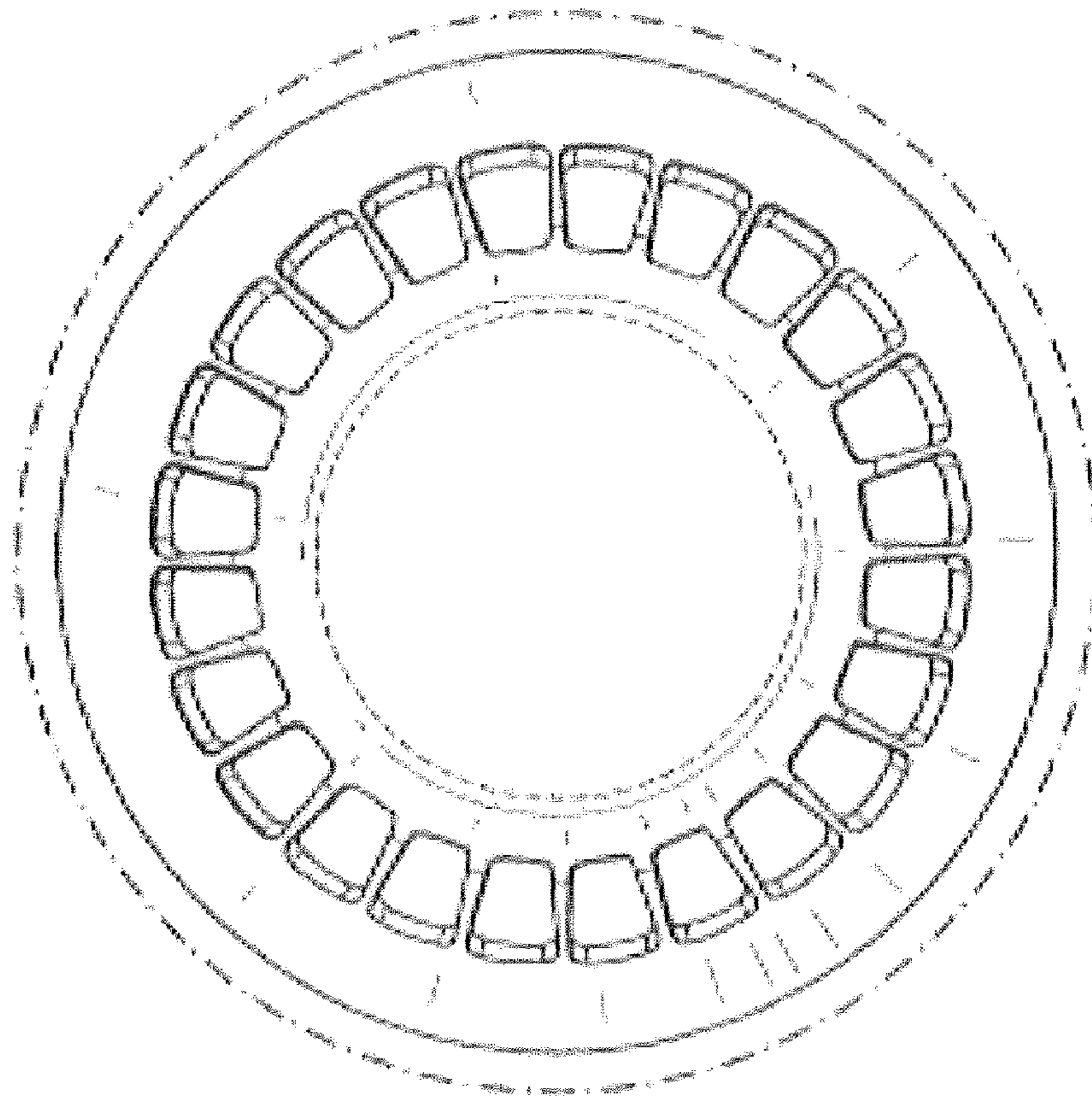


FIG. 5

