



US00D669605S

(12) **United States Design Patent**
Jeon et al.

(10) **Patent No.:** **US D669,605 S**
(45) **Date of Patent:** **** Oct. 23, 2012**

(54) **LED LAMP**

(75) Inventors: **Jong Hoon Jeon**, Seoul (KR); **Min Ho Cha**, Seoul (KR)

(73) Assignee: **Samsung Electronics Co., Ltd.**, Seoul (KR)

(**) Term: **14 Years**

(21) Appl. No.: **29/402,537**

(22) Filed: **Sep. 23, 2011**

(30) **Foreign Application Priority Data**

Mar. 23, 2011 (KR) 30-2011-0011626

(51) **LOC (9) Cl.** **26-04**

(52) **U.S. Cl.** **D26/2**

(58) **Field of Classification Search** D26/1-4;
313/313, 315, 316, 317, 318, 493; 315/52,
315/53, 56, 57, 58

See application file for complete search history.

(56) **References Cited**

U.S. PATENT DOCUMENTS

D508,575	S	*	8/2005	Buschmann et al.	D26/2
D528,227	S	*	9/2006	Chou et al.	D26/2
D531,741	S	*	11/2006	Takahashi	D26/2
D534,665	S	*	1/2007	Egawa et al.	D26/2
D538,953	S	*	3/2007	Mama	D26/2
D651,327	S	*	12/2011	Hsiao et al.	D26/2

* cited by examiner

Primary Examiner — Marcus Jackson

(74) *Attorney, Agent, or Firm* — McDermott Will & Emery LLP

(57) **CLAIM**

The ornamental design for a LED lamp, as shown and described.

DESCRIPTION

FIG. 1 is a front view of a LED lamp showing our new design; FIG. 2 is a rear view thereof; FIG. 3 is a left side view thereof; FIG. 4 is a right side view thereof; FIG. 5 is a top plan view thereof; FIG. 6 is a bottom plan view thereof; FIG. 7 is a perspective view thereof; and, FIG. 8 is another perspective view thereof.

1 Claim, 7 Drawing Sheets

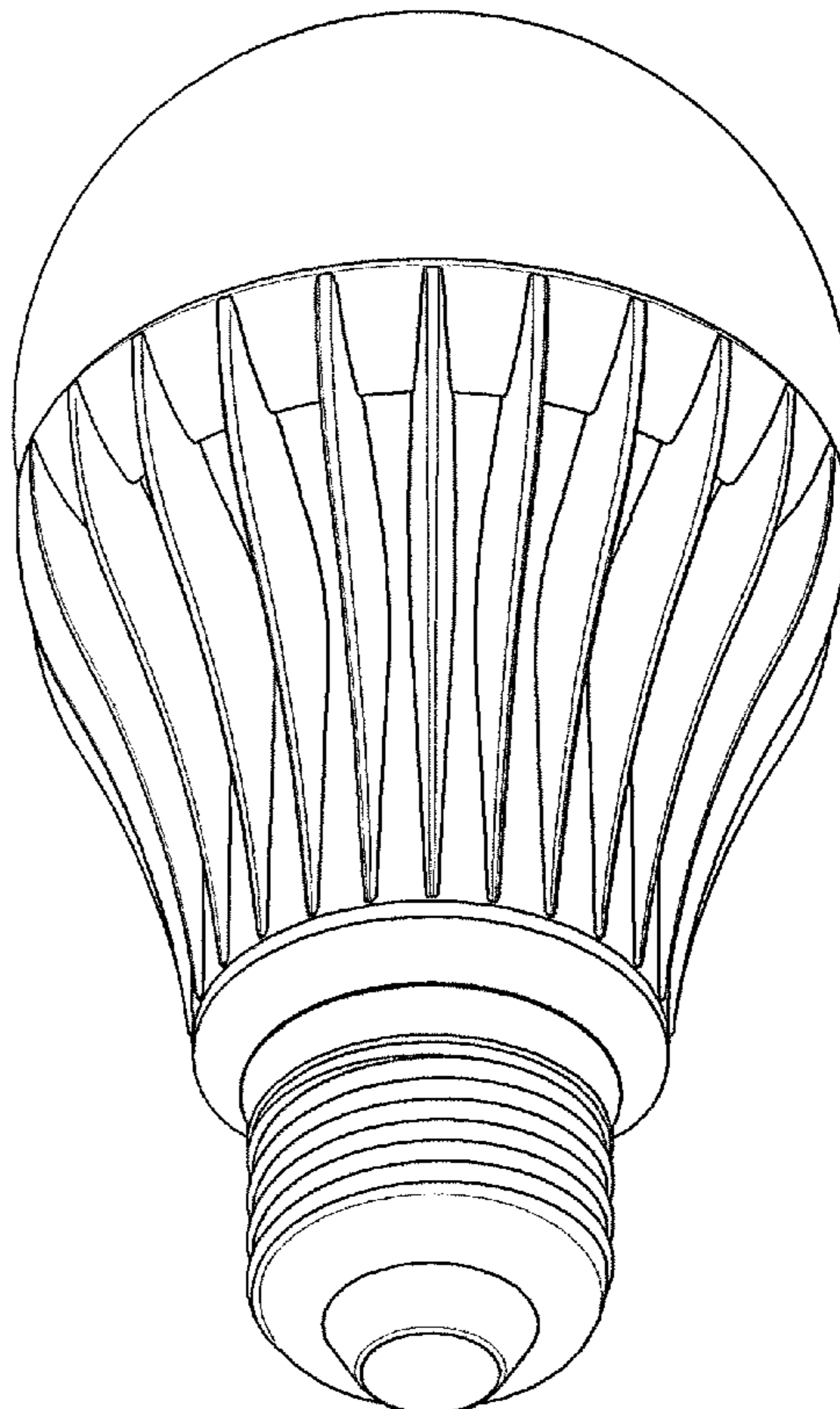
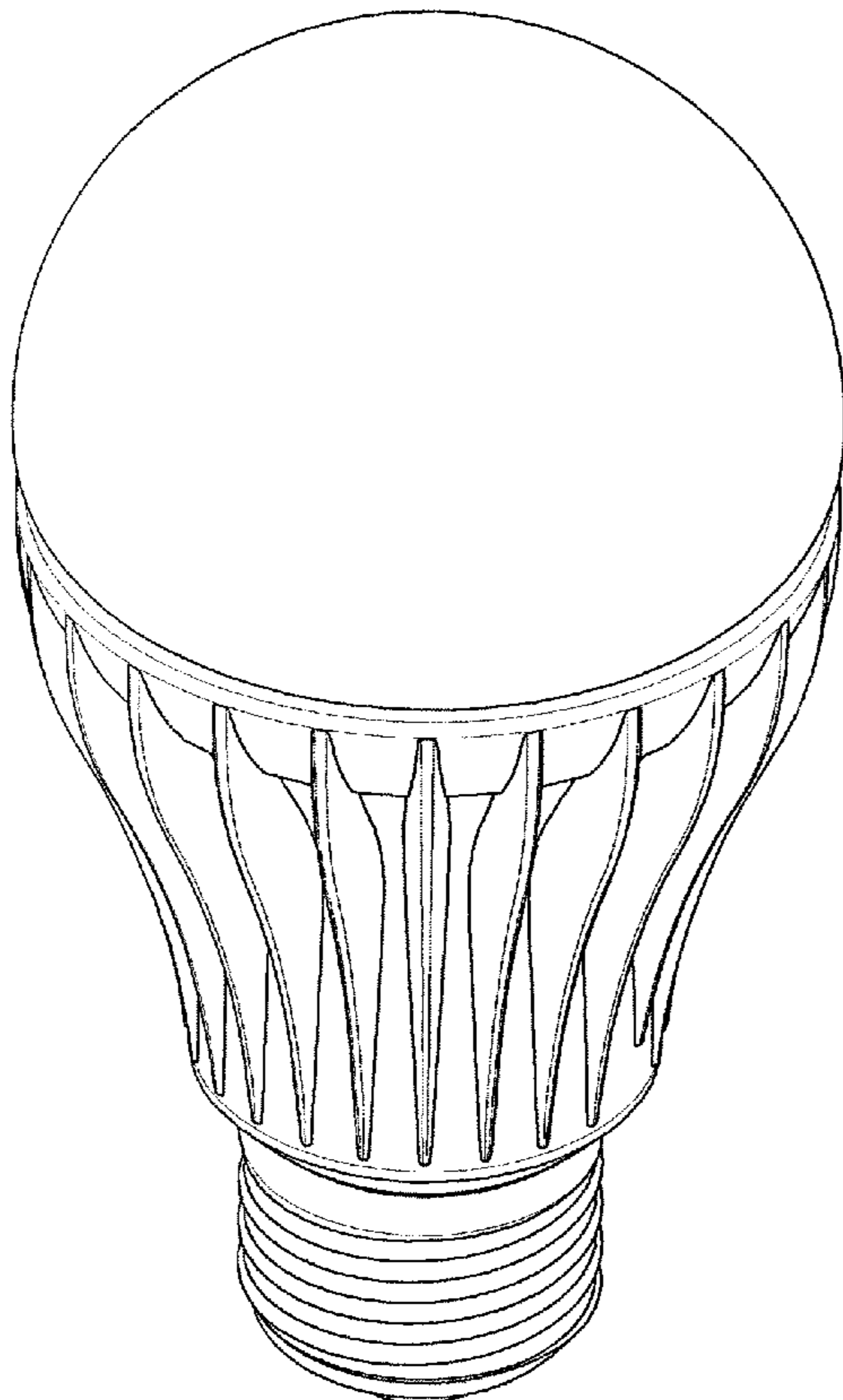


FIG. 1

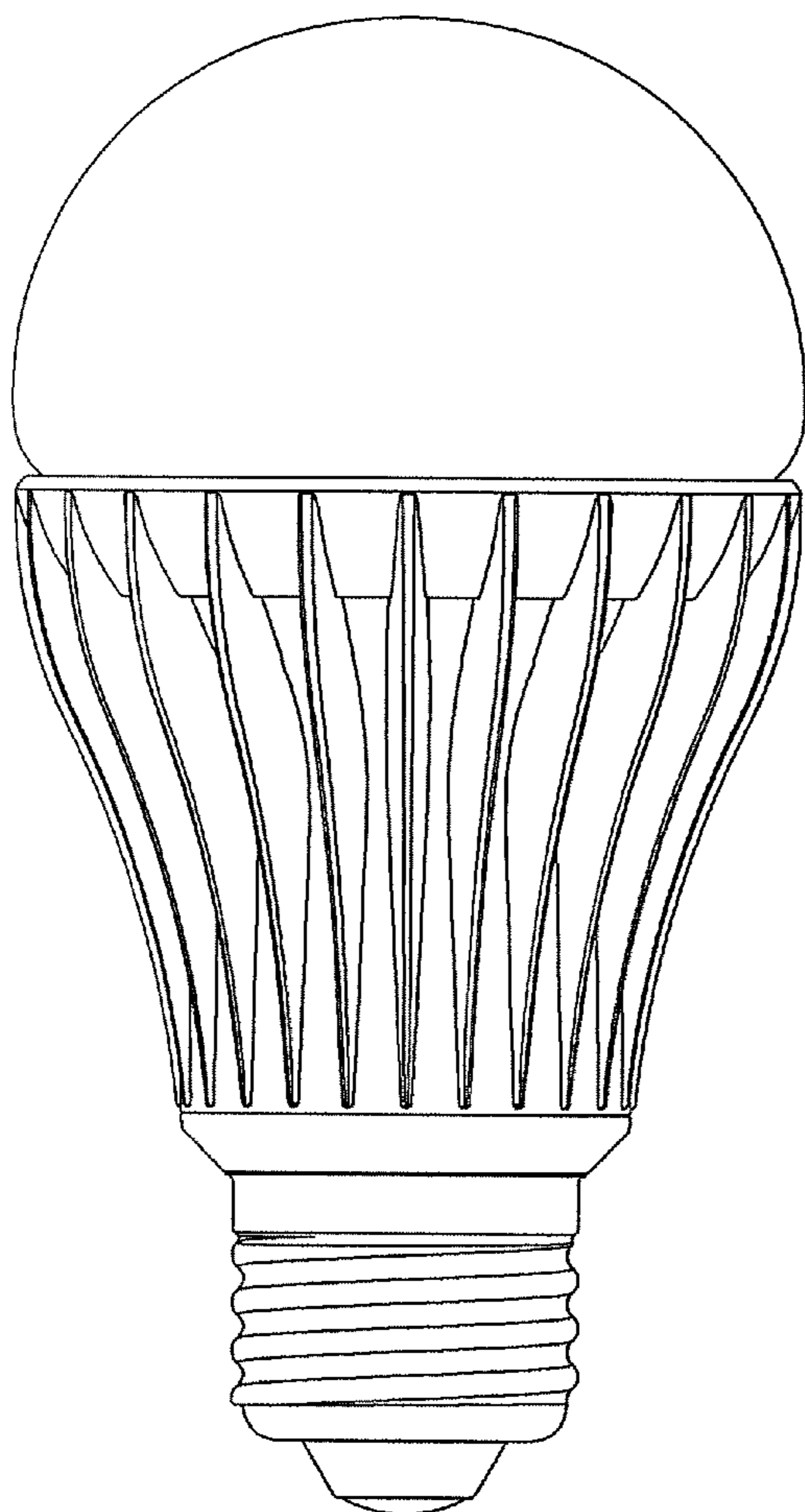


FIG. 2

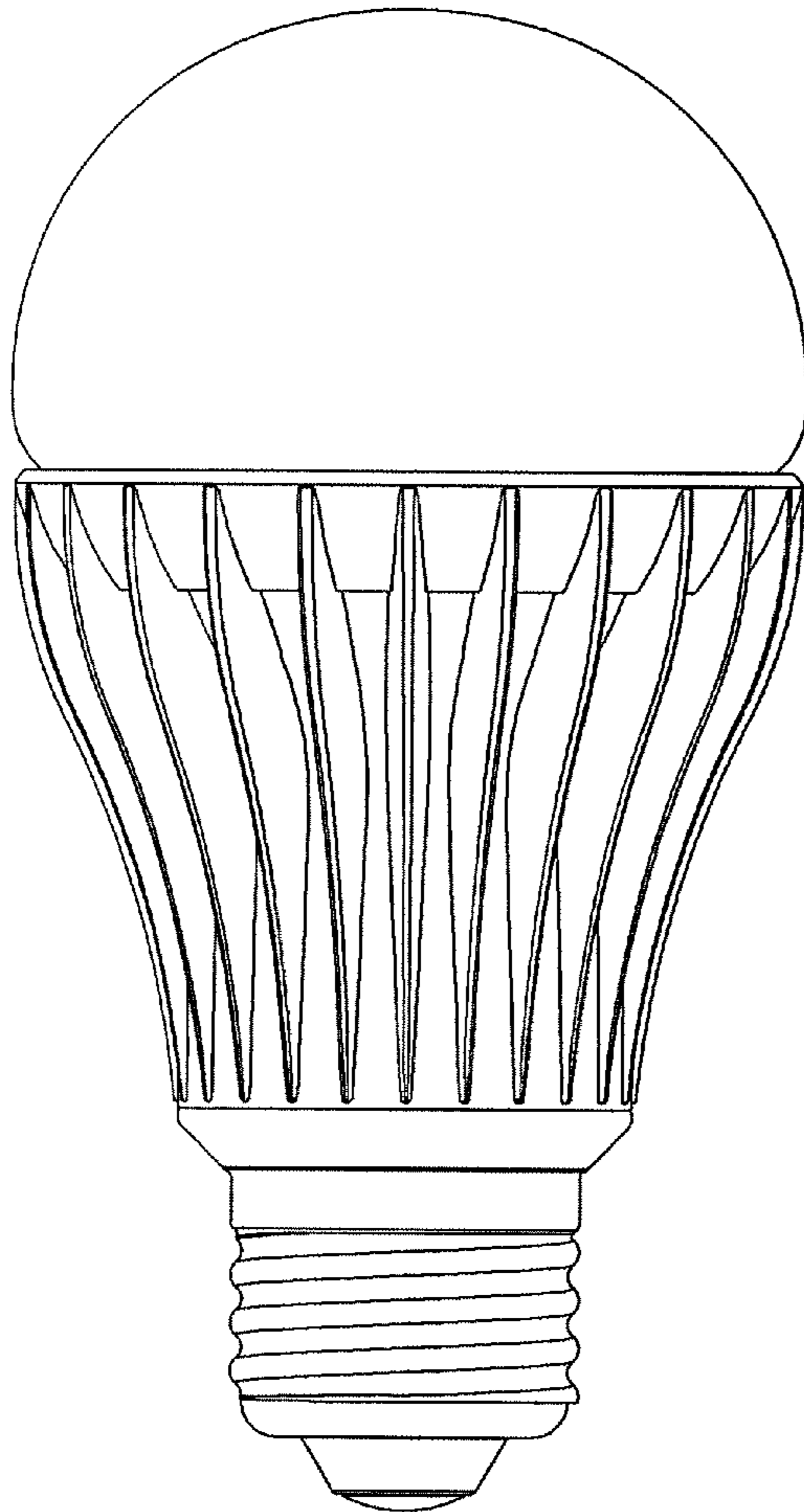


FIG. 3

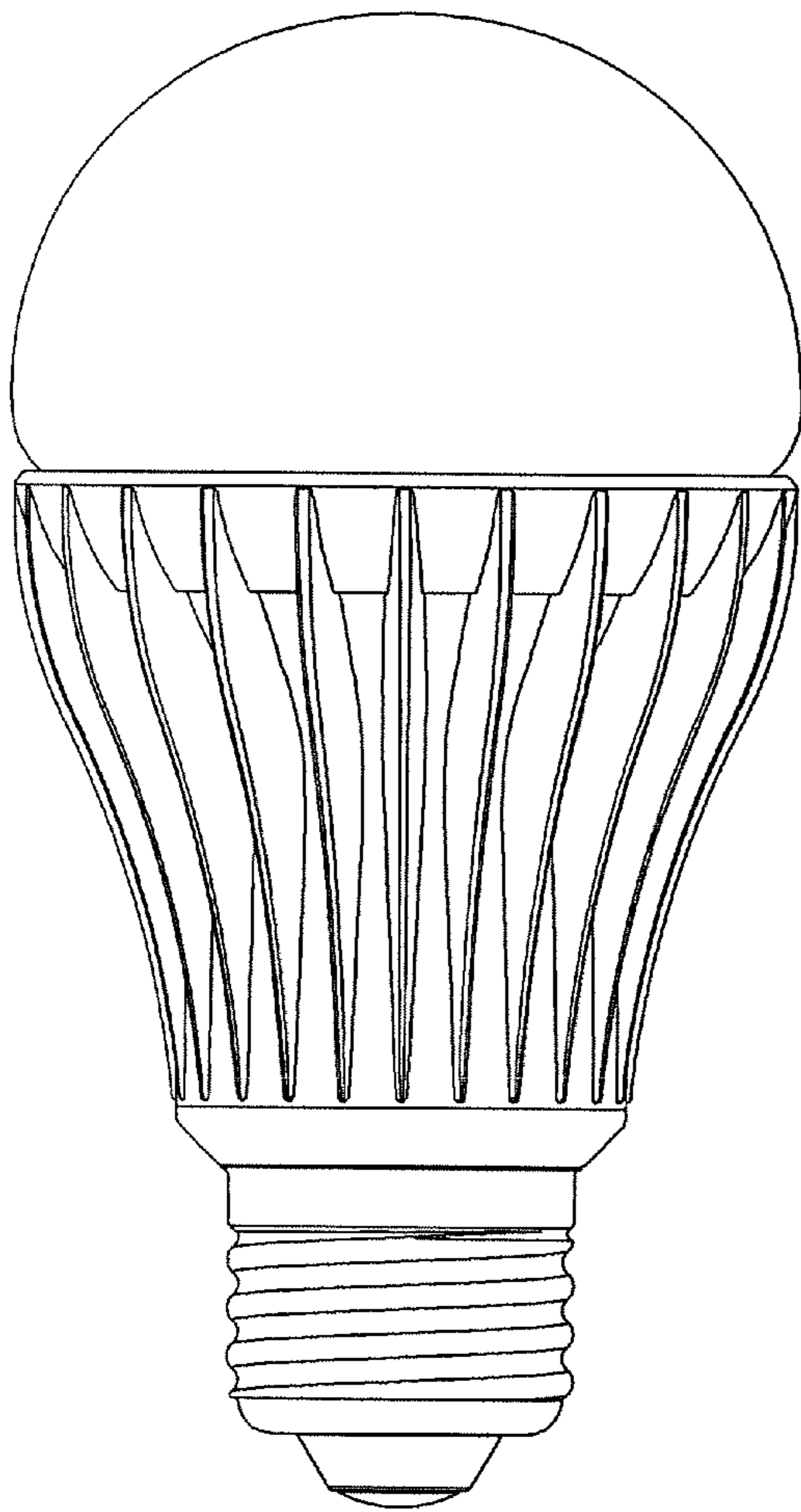


FIG. 4

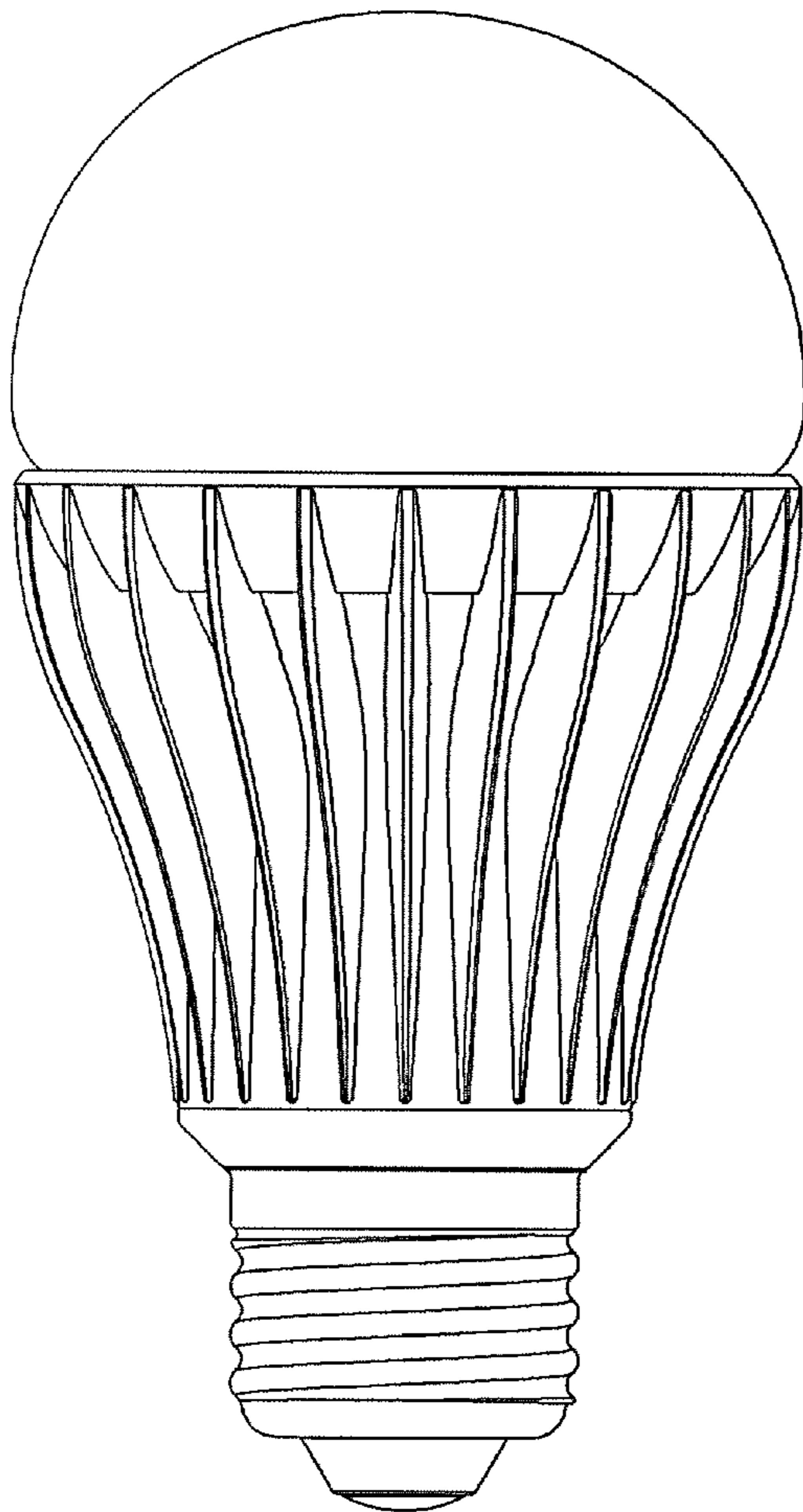


FIG. 5

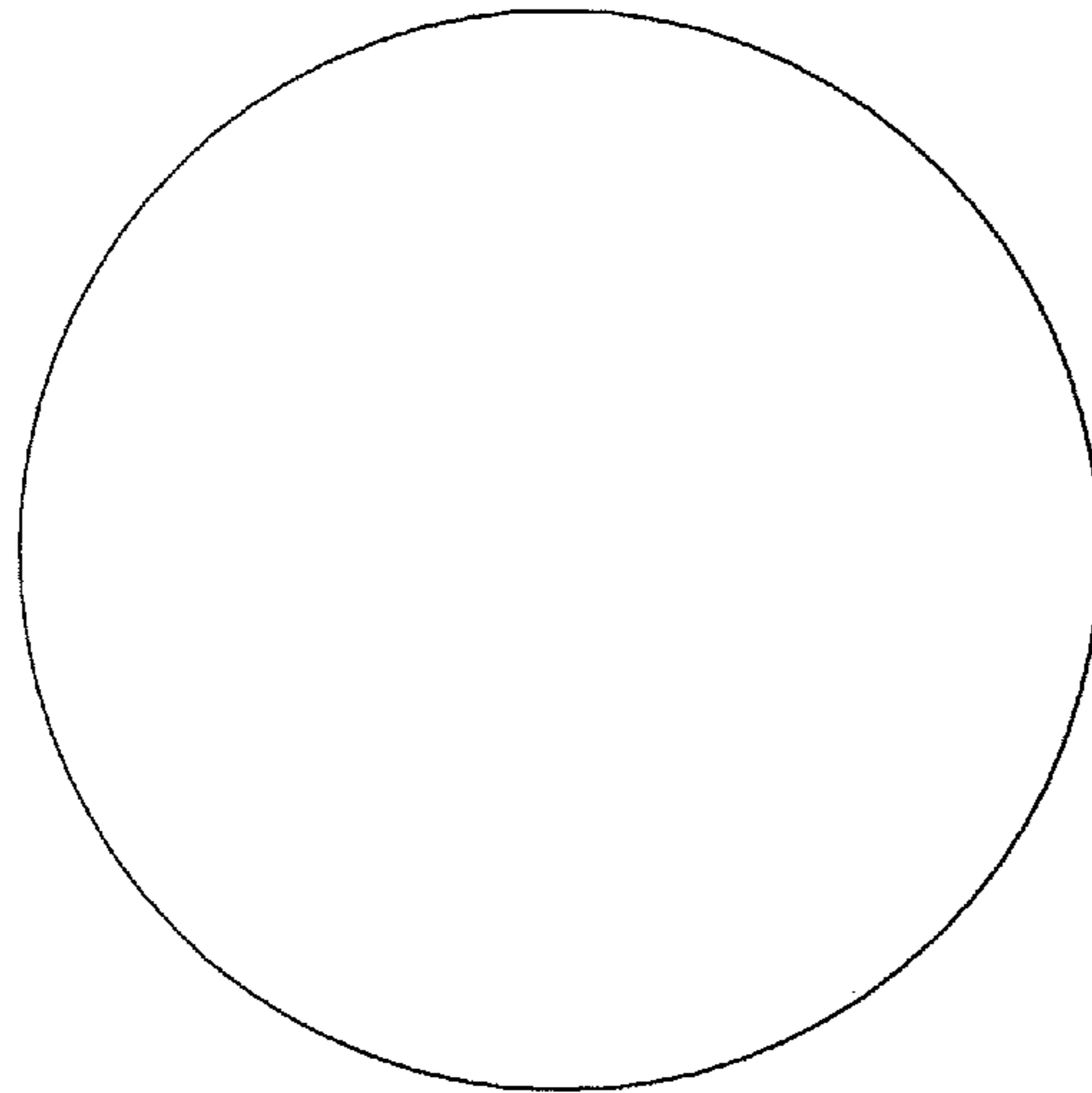


FIG. 6

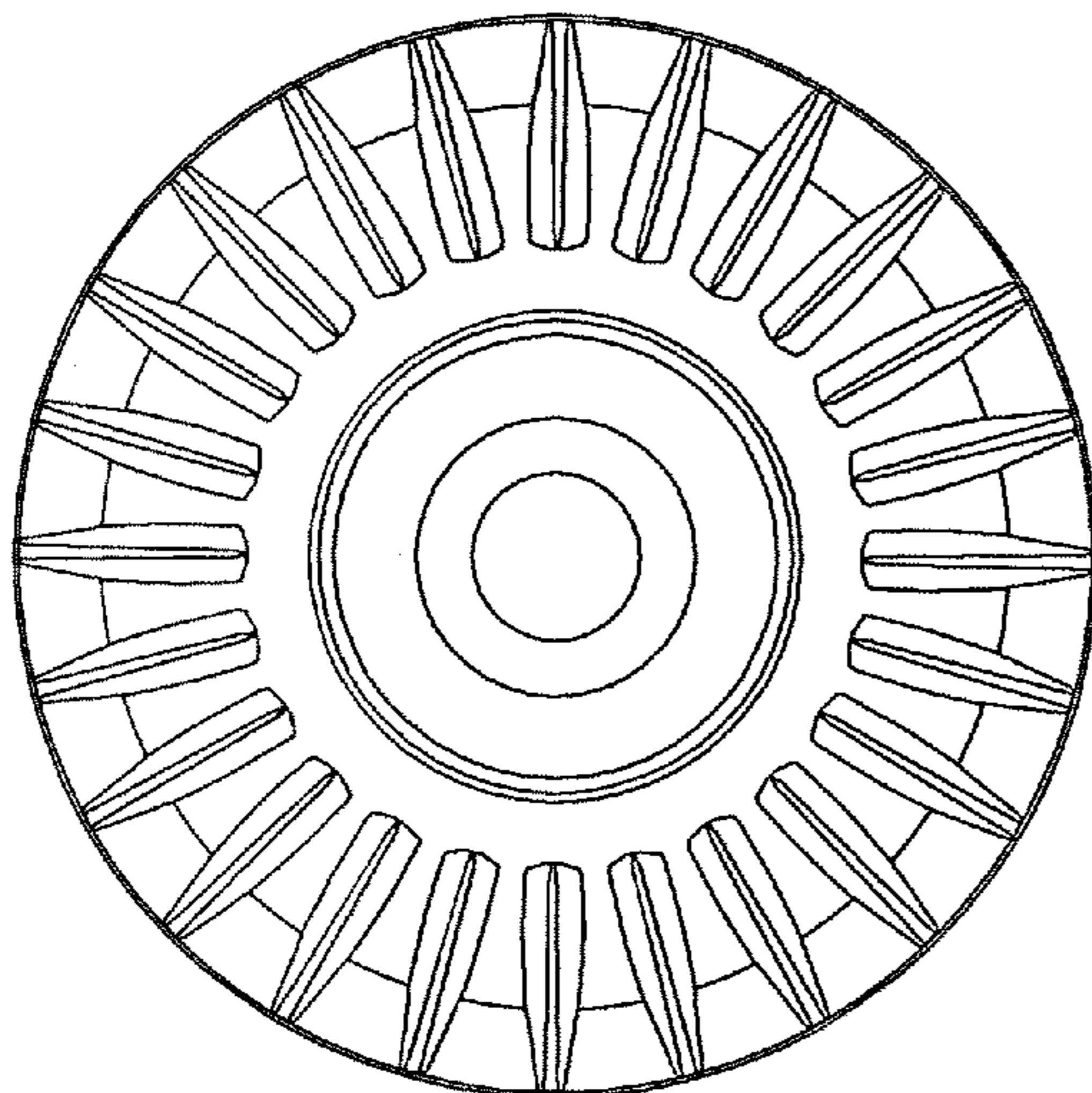


FIG. 7

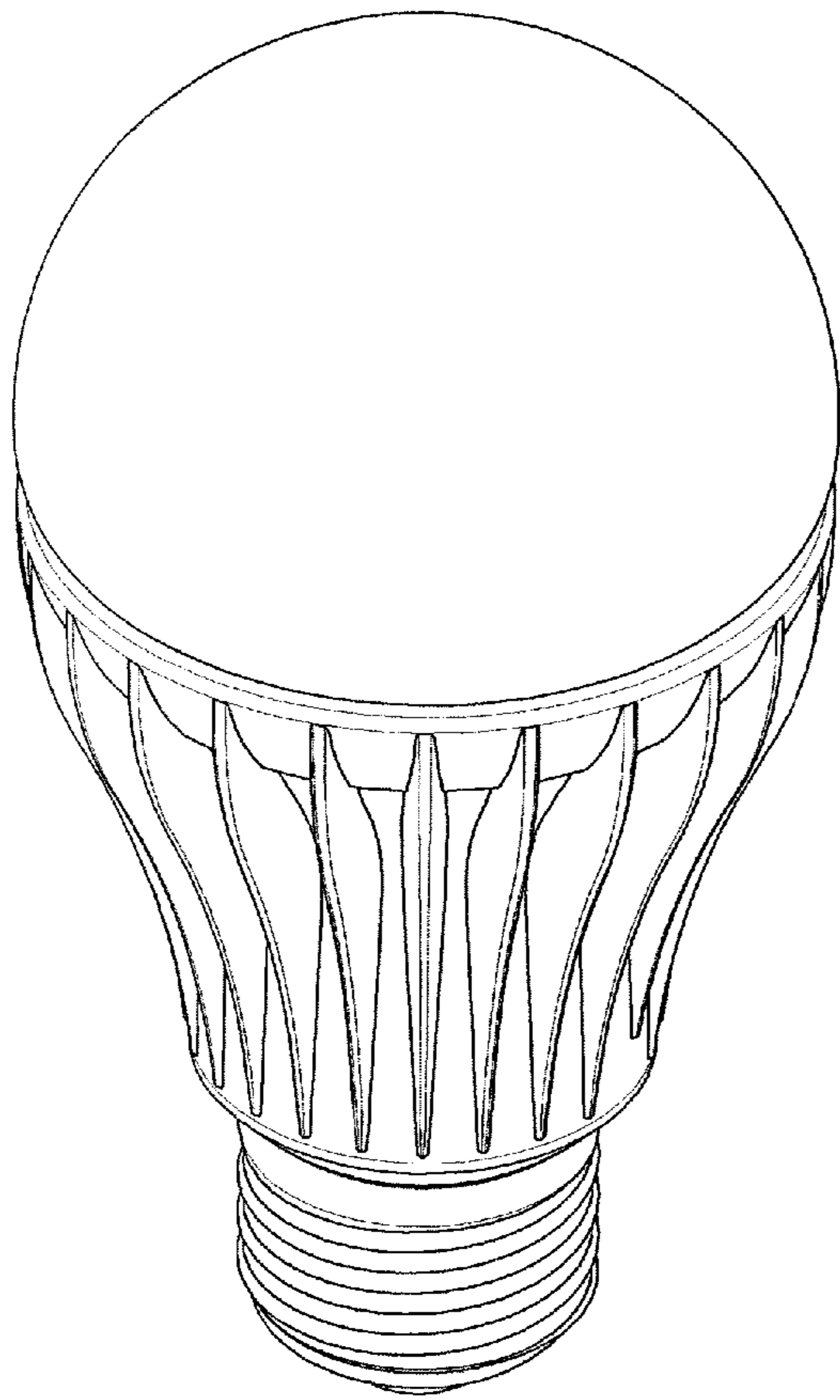


FIG. 8

