



US00D669604S

(12) **United States Design Patent**
Pan

(10) **Patent No.:** **US D669,604 S**

(45) **Date of Patent:** **** Oct. 23, 2012**

(54) **LED SPOTLIGHT**

(75) **Inventor:** **Liuyun Pan**, Guangdong Province (CN)

(73) **Assignee:** **Shenzhen Wanjia Lighting Co., Ltd.**,
Guangdong Province (CN)

(**) **Term:** **14 Years**

(21) **Appl. No.:** **29/393,653**

(22) **Filed:** **Jun. 7, 2011**

(51) **LOC (9) Cl.** **26-04**

(52) **U.S. Cl.** **D26/2**

(58) **Field of Classification Search** D26/1-4;
313/313, 315, 316, 317, 318, 493; 315/52,
315/53, 56, 57, 58

See application file for complete search history.

(56) **References Cited**

U.S. PATENT DOCUMENTS

D532,532 S *	11/2006	Maxik	D26/2
D535,038 S *	1/2007	Egawa et al.	D26/2
D545,457 S *	6/2007	Chen	D26/2

D553,265 S *	10/2007	Maxik	D26/2
D584,428 S *	1/2009	Li et al.	D26/2
D587,384 S *	2/2009	Wei	D26/2
D592,766 S *	5/2009	Zhu et al.	D26/2
D601,275 S *	9/2009	Ho et al.	D26/2
D607,587 S *	1/2010	Ko	D26/2
D629,927 S *	12/2010	Chen et al.	D26/2
D644,357 S *	8/2011	Hsu et al.	D26/2

* cited by examiner

Primary Examiner — Marcus Jackson

(57) **CLAIM**

The ornamental design for LED spotlight, as shown.

DESCRIPTION

FIG. 1 is a front elevational view of an LED spotlight showing my new design;

FIG. 2 is a rear elevational view thereof;

FIG. 3 is a left side view thereof;

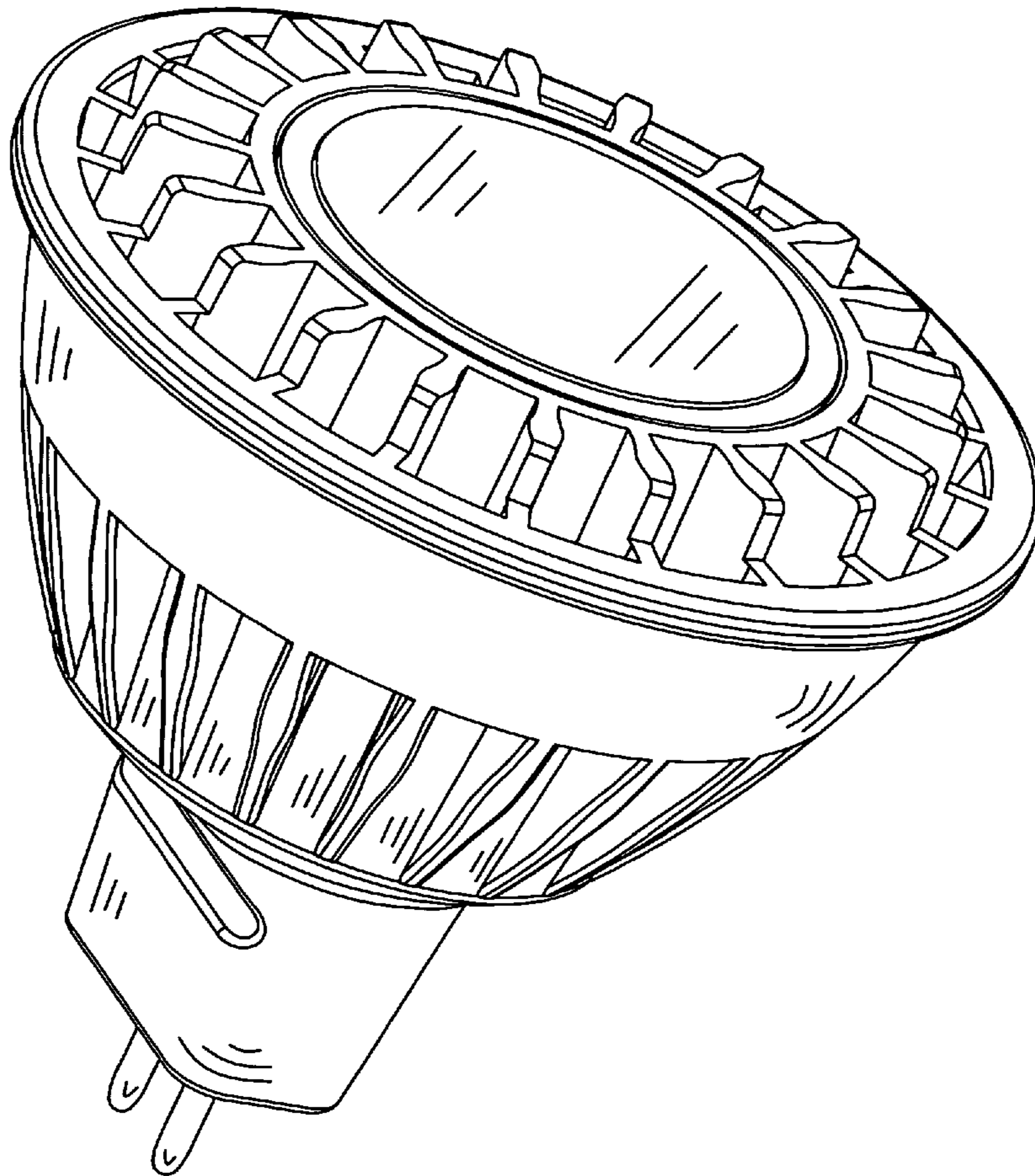
FIG. 4 is a right side view thereof;

FIG. 5 is a top plan view thereof;

FIG. 6 is a bottom plan view thereof; and,

FIG. 7 is a perspective view thereof.

1 Claim, 7 Drawing Sheets



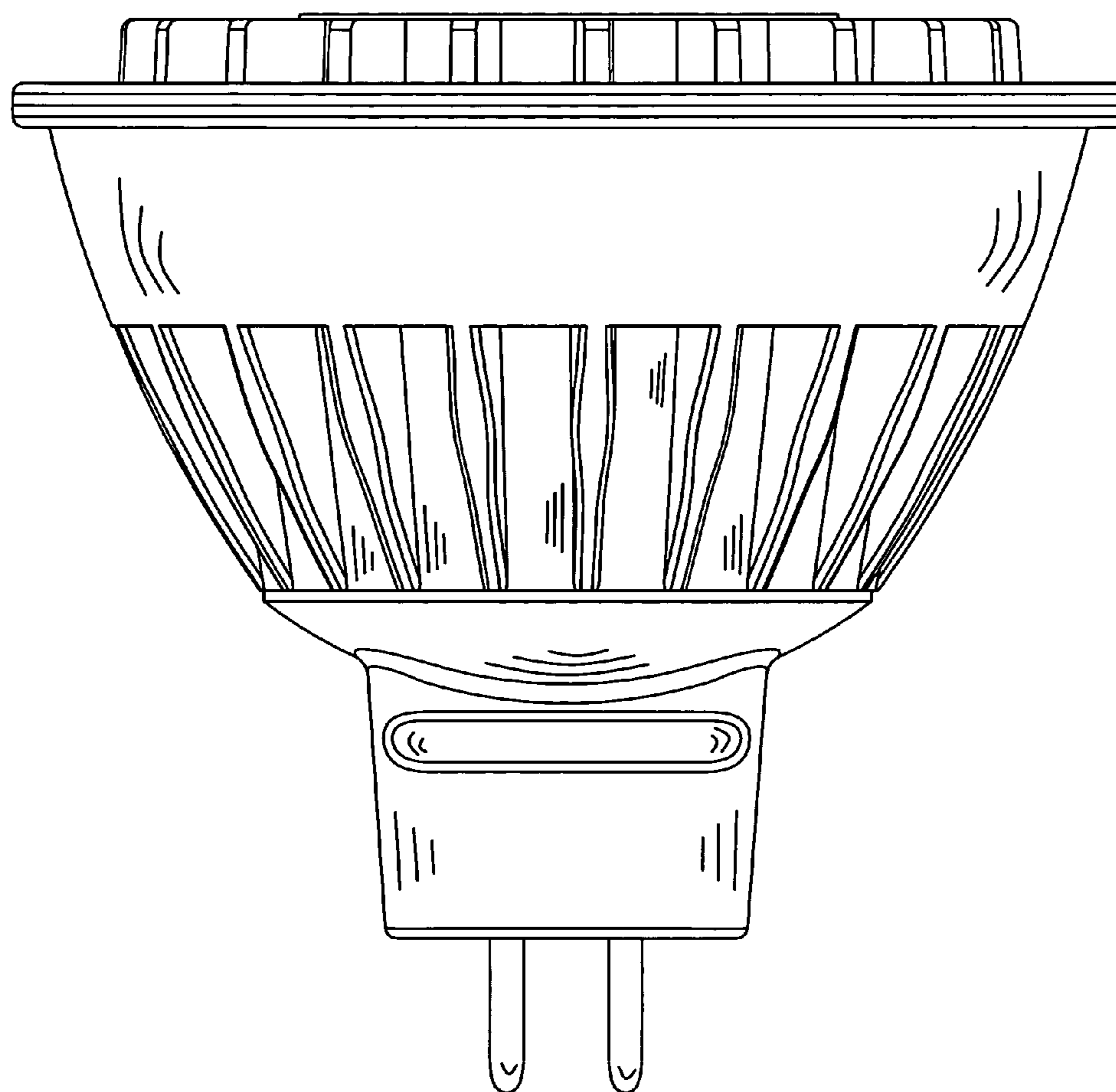


FIG. 1

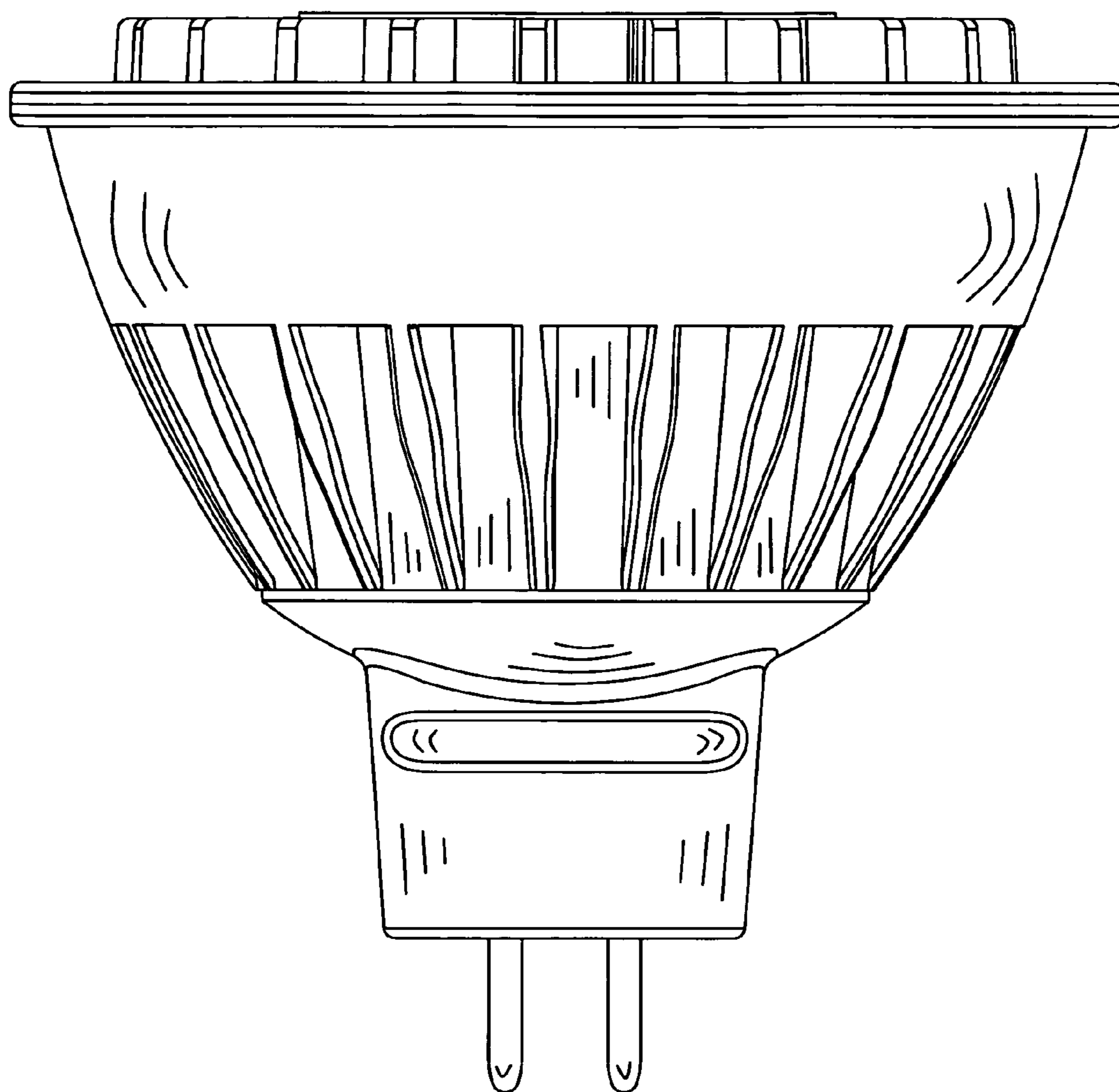


FIG. 2

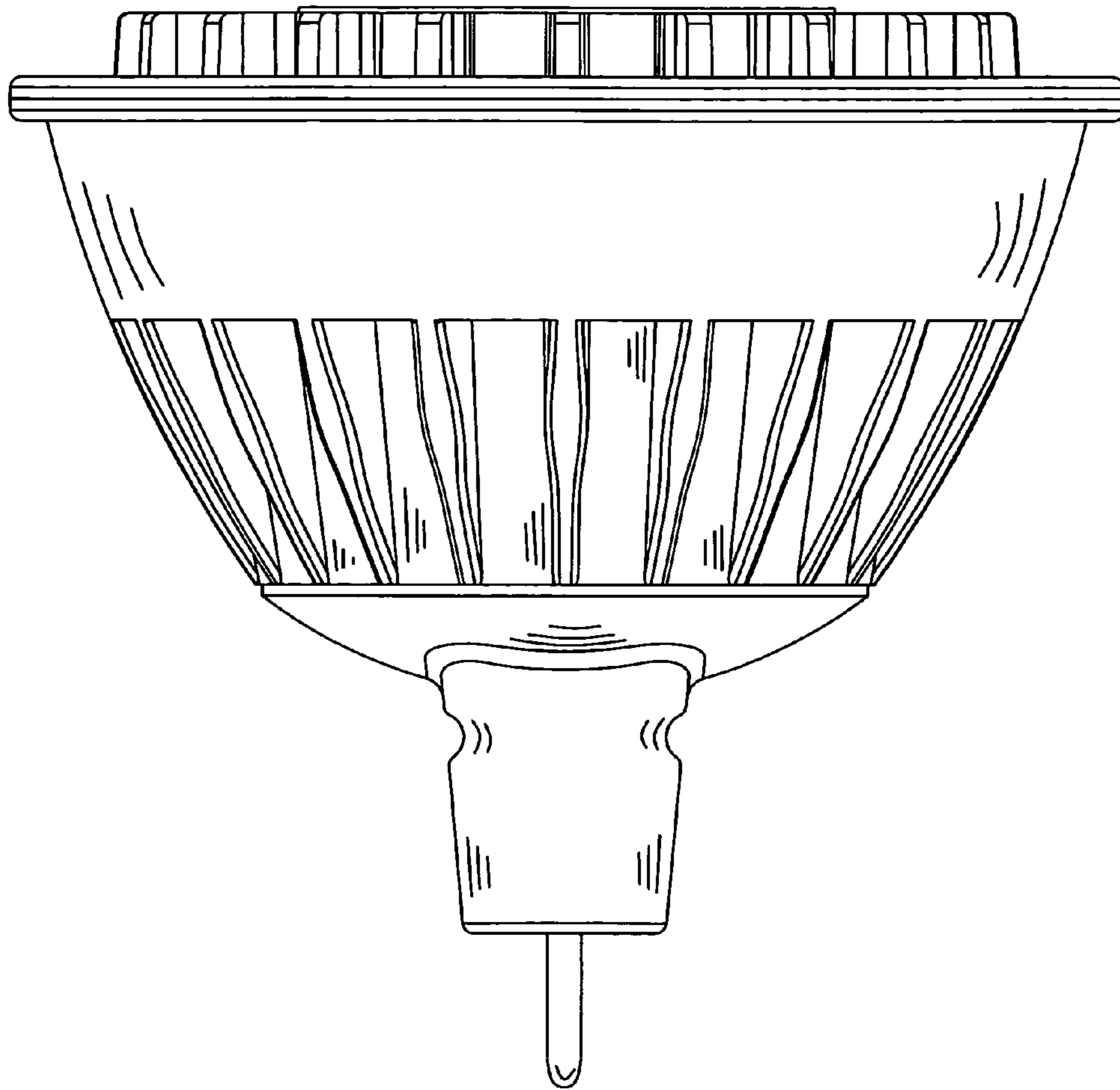


FIG. 3

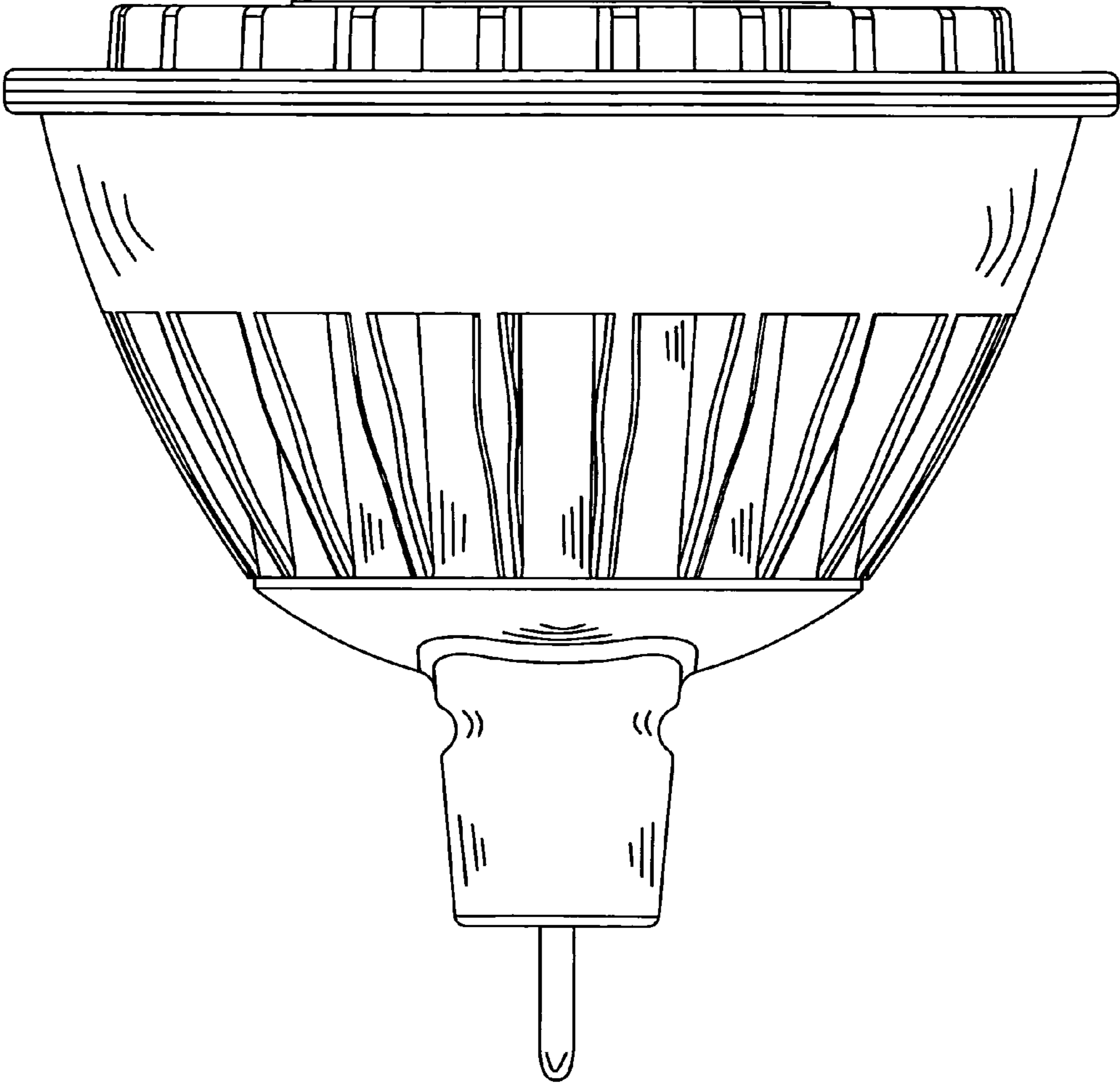


FIG. 4

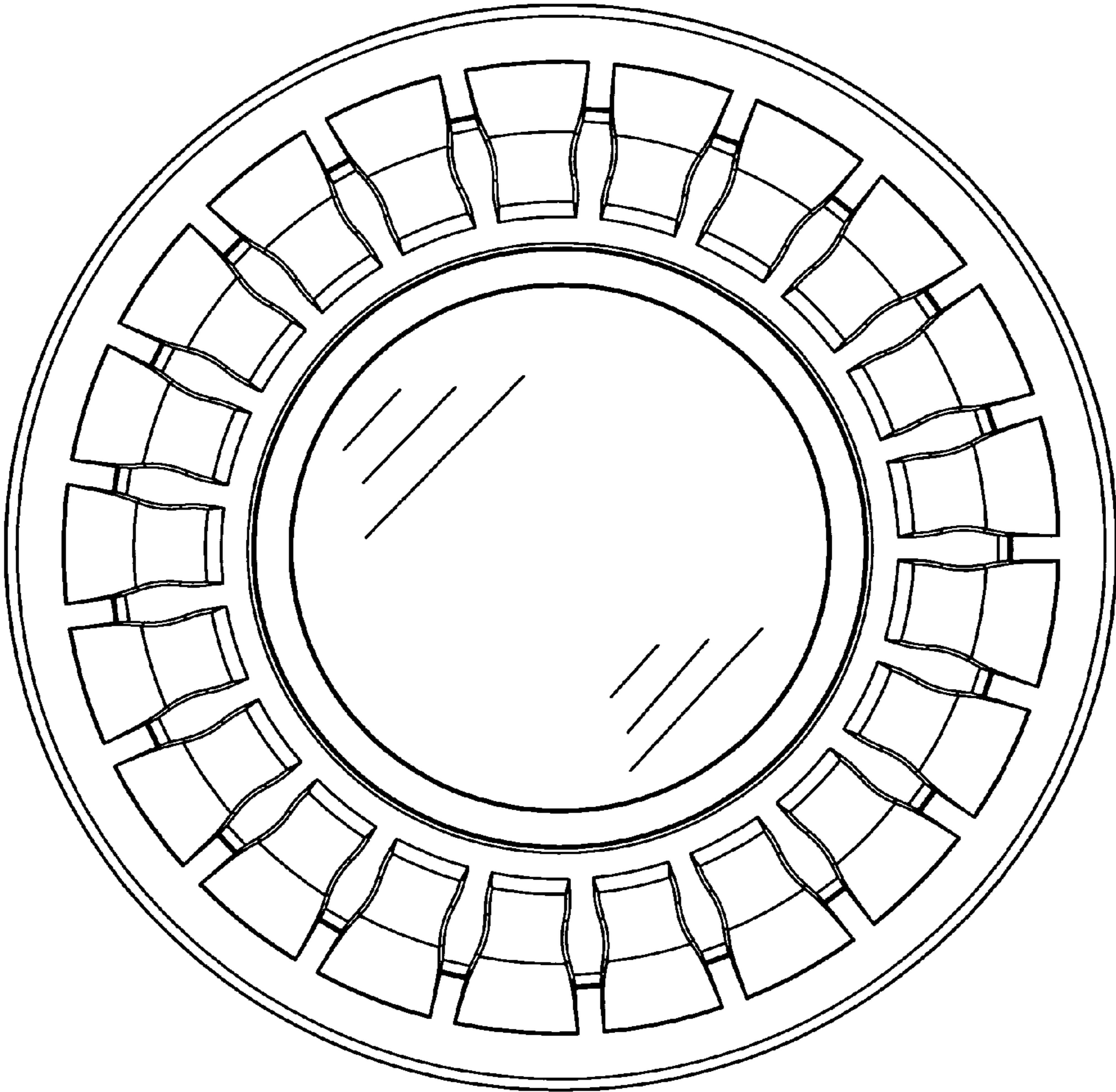


FIG. 5

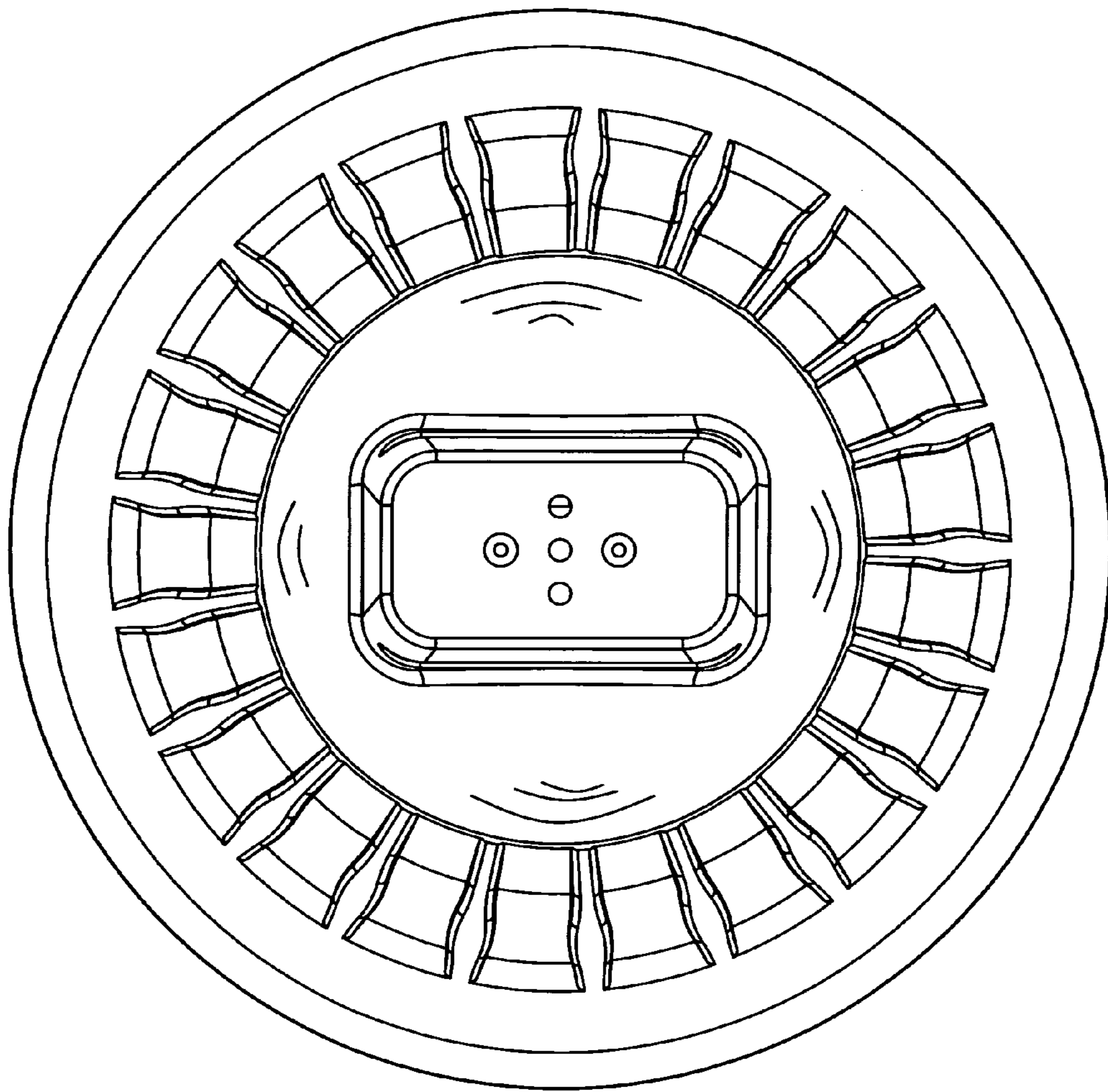


FIG. 6

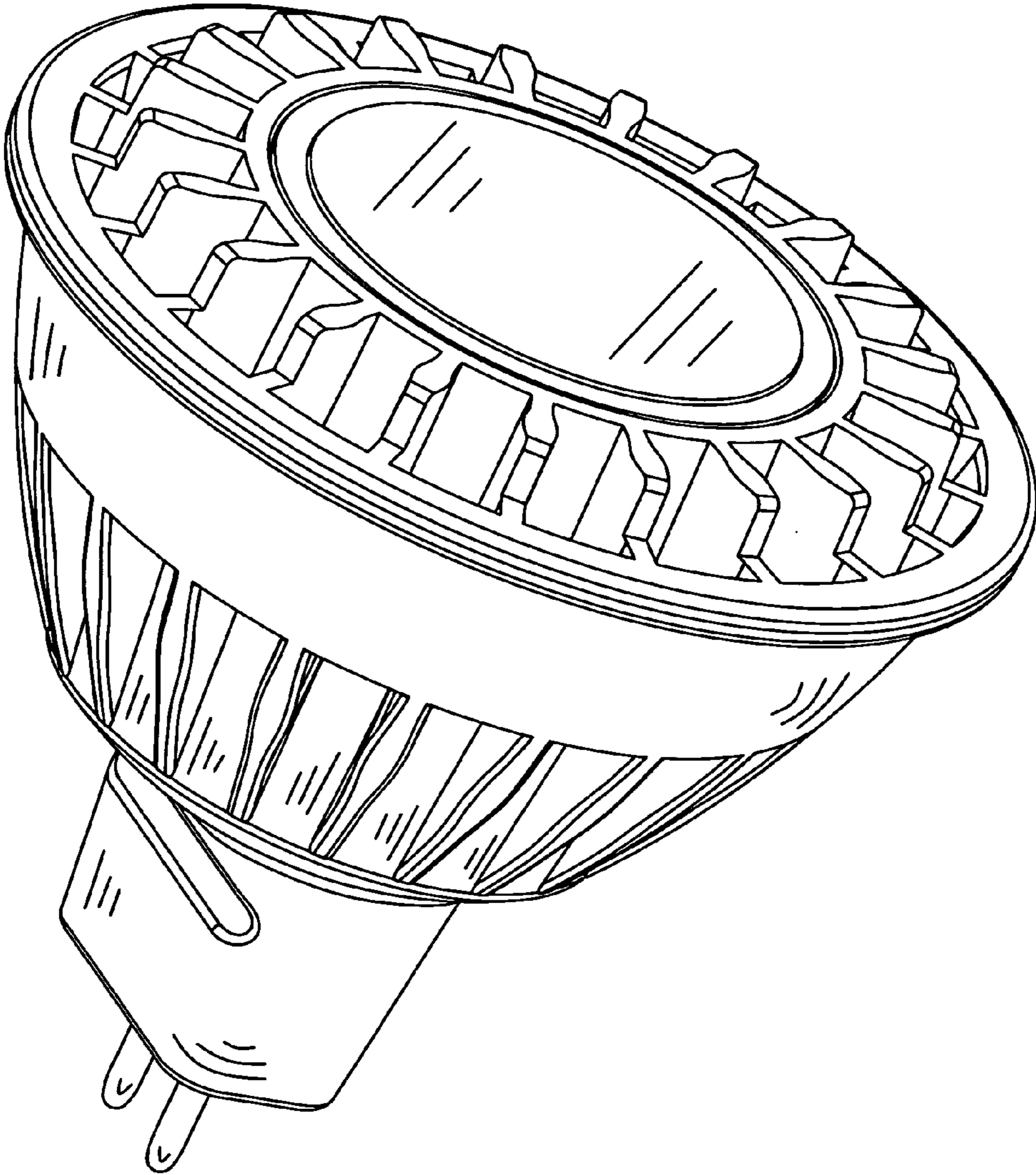


FIG. 7