

US00D669601S

(12) **United States Design Patent**
Schoonover et al.

(10) **Patent No.:** **US D669,601 S**
(45) **Date of Patent:** **** Oct. 23, 2012**

(54) **WINDOW SEAL EXTRUDED WEATHER STRIP**

(75) Inventors: **James Schoonover**, Shelby Township, MI (US); **Vincent McNish**, Fostoria, MI (US)

(73) Assignee: **Vintech Industries Inc.**, Imlay City, MI (US)

(**) Term: **14 Years**

(21) Appl. No.: **29/374,818**

(22) Filed: **Oct. 11, 2011**

(51) **LOC (9) Cl.** **25-01**

(52) **U.S. Cl.** **D25/125; D25/48.2**

(58) **Field of Classification Search** D25/119, D25/48.2, 125, 164; 49/475.1, 495.1
See application file for complete search history.

(56) **References Cited**

U.S. PATENT DOCUMENTS

D286,080	S	*	10/1986	Bancroft	D25/125
D293,719	S	*	1/1988	Stepanian	D25/125
D304,766	S	*	11/1989	Weaver et al.	D25/119
D330,772	S		11/1992	Nelson		
5,545,448	A	*	8/1996	Ford et al.	428/31

6,652,952	B2	*	11/2003	Drozd et al.	428/122
D498,004	S	*	11/2004	Smith	D25/125
D498,309	S		11/2004	Koerner et al.		
7,257,924	B2	*	8/2007	Kounobu et al.	49/490.1
D569,998	S		5/2008	Mertinooke et al.		
D577,445	S		9/2008	Durrant		

* cited by examiner

Primary Examiner — Doris Clark

(74) *Attorney, Agent, or Firm* — Warn Partners, P.C.

(57) **CLAIM**

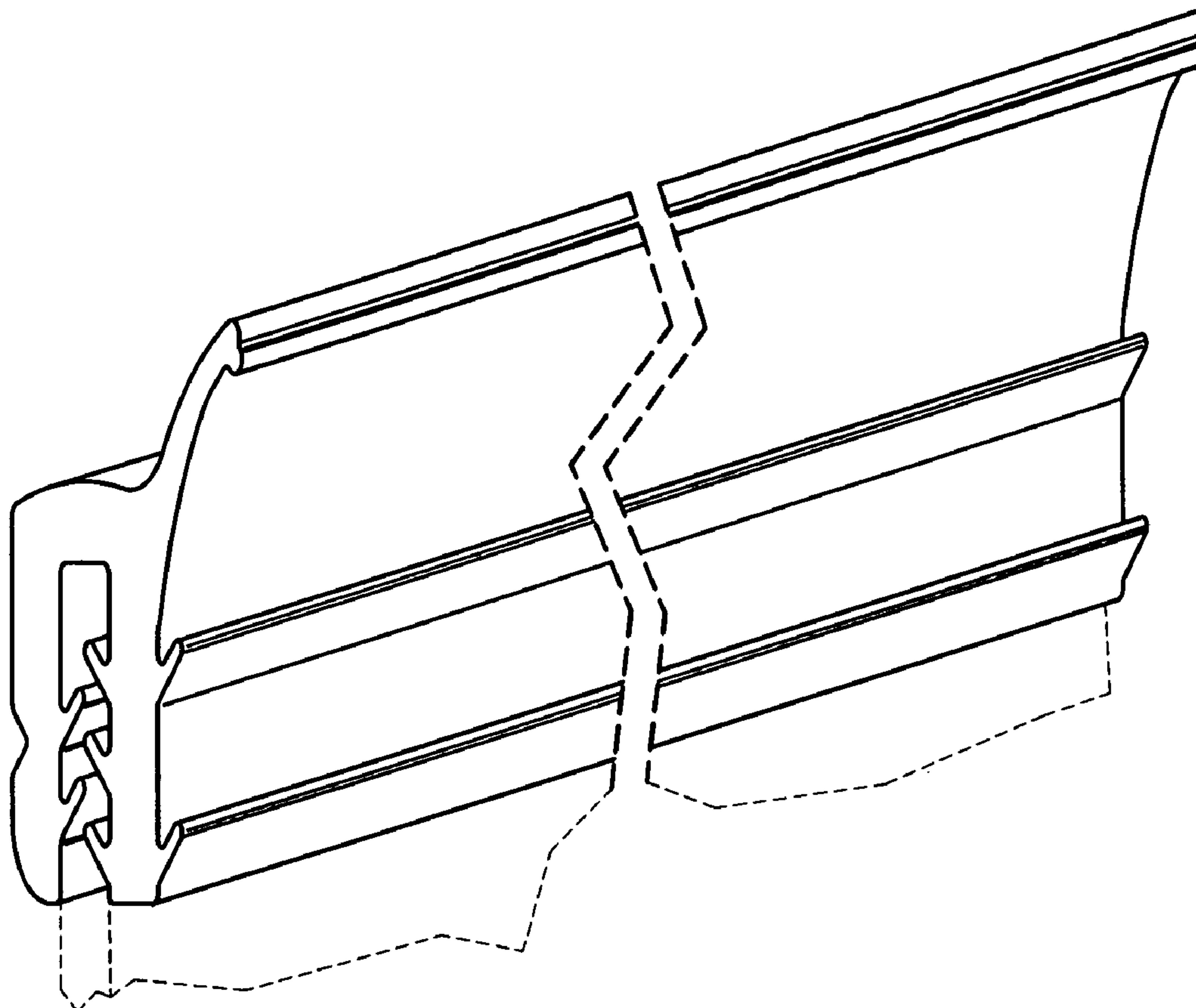
The ornamental design for a window seal extruded weatherstrip, as shown and described.

DESCRIPTION

FIG. 1 is a perspective view of the window seal extruded weatherstrip showing our new design; FIG. 2 is a front elevation view thereof; FIG. 3 is a top plan view thereof; FIG. 4 is a side elevational view thereof; FIG. 5 is a bottom plan view thereof; FIG. 6 is a second side elevational view thereof; and, FIG. 7 is a rear elevation view thereof.

The window seal extruded weatherstrip is shown broken in the center to indicate that indeterminate length.

1 Claim, 3 Drawing Sheets



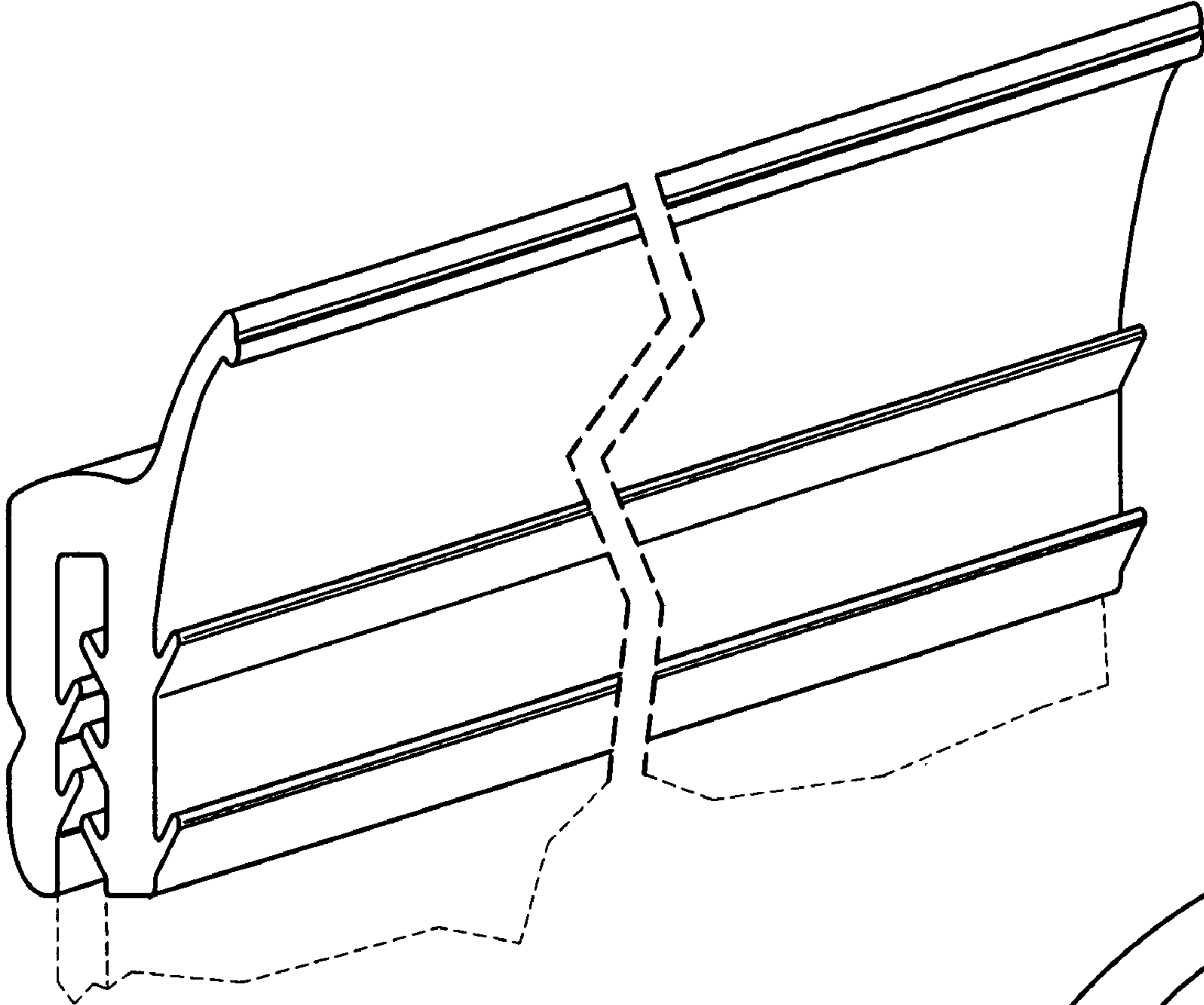


FIG - 1

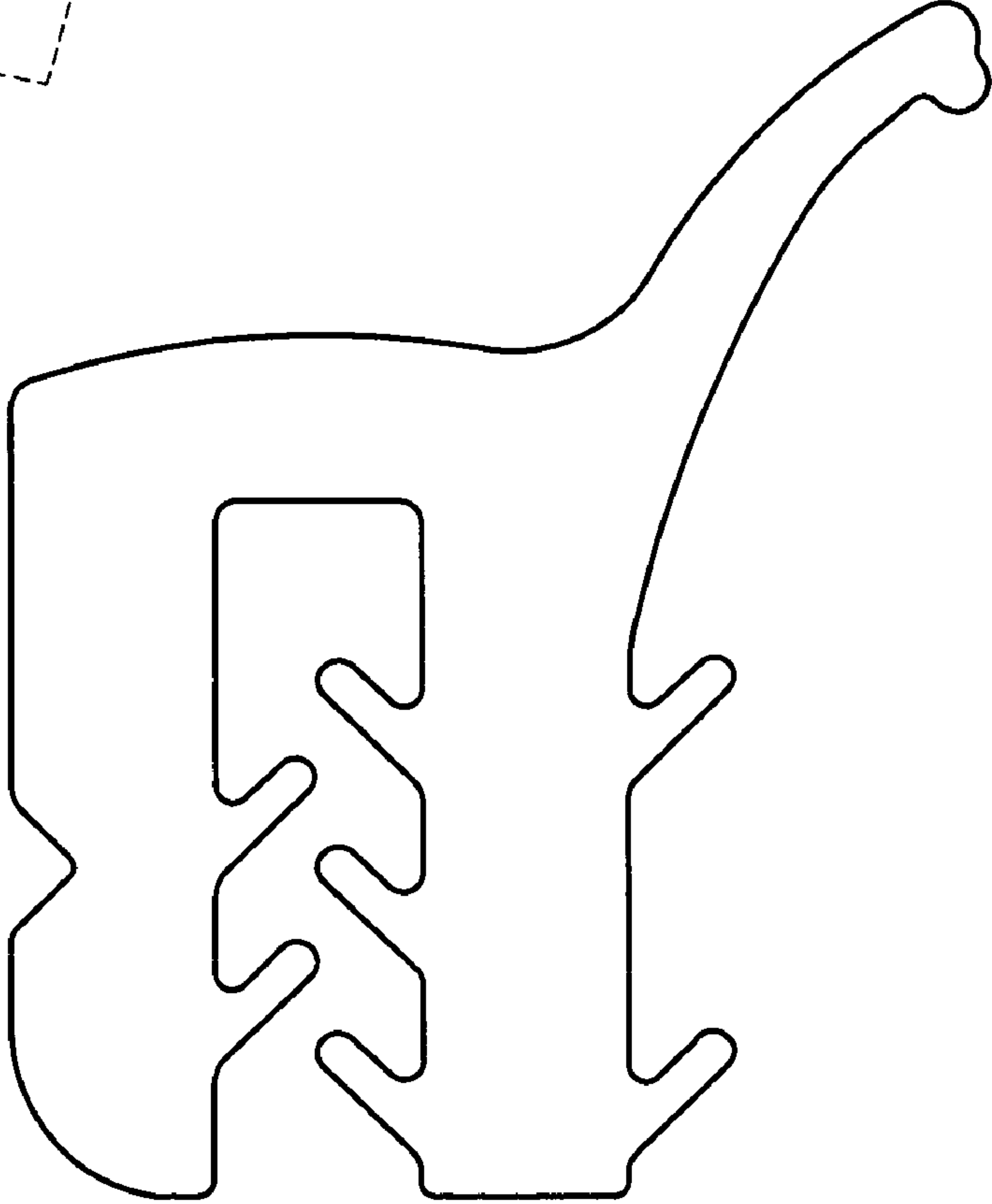


FIG - 2

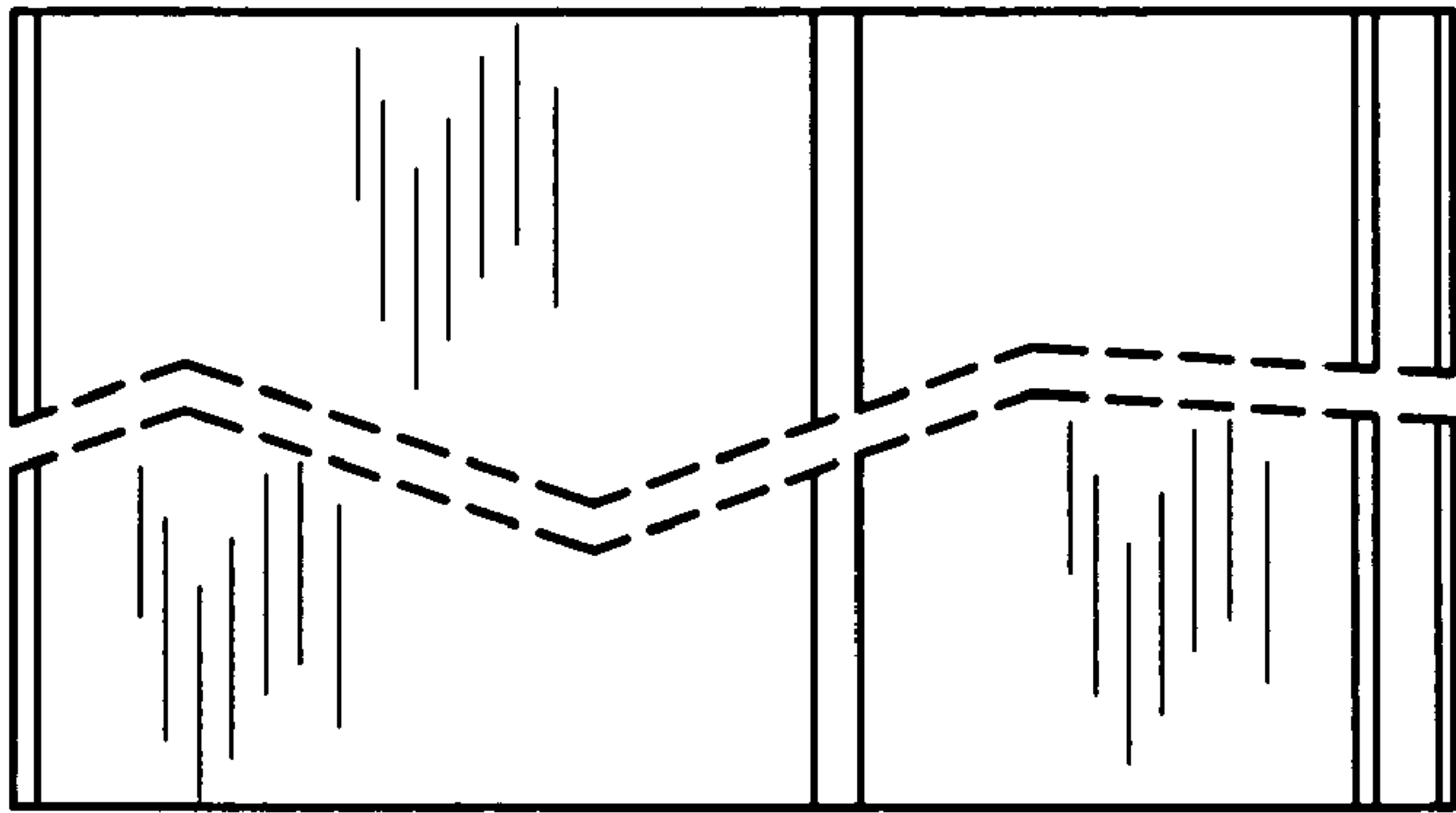


FIG - 3

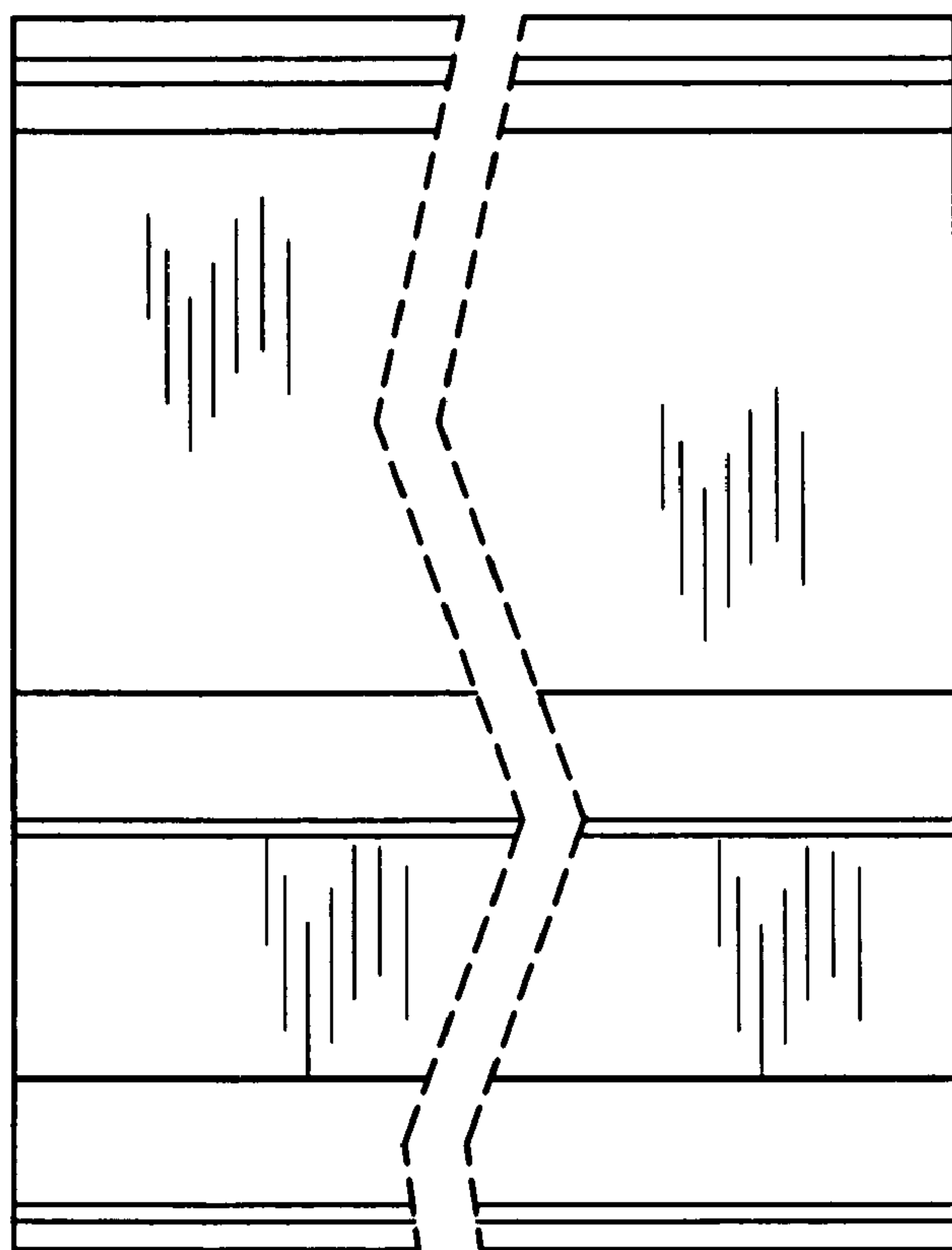


FIG - 4

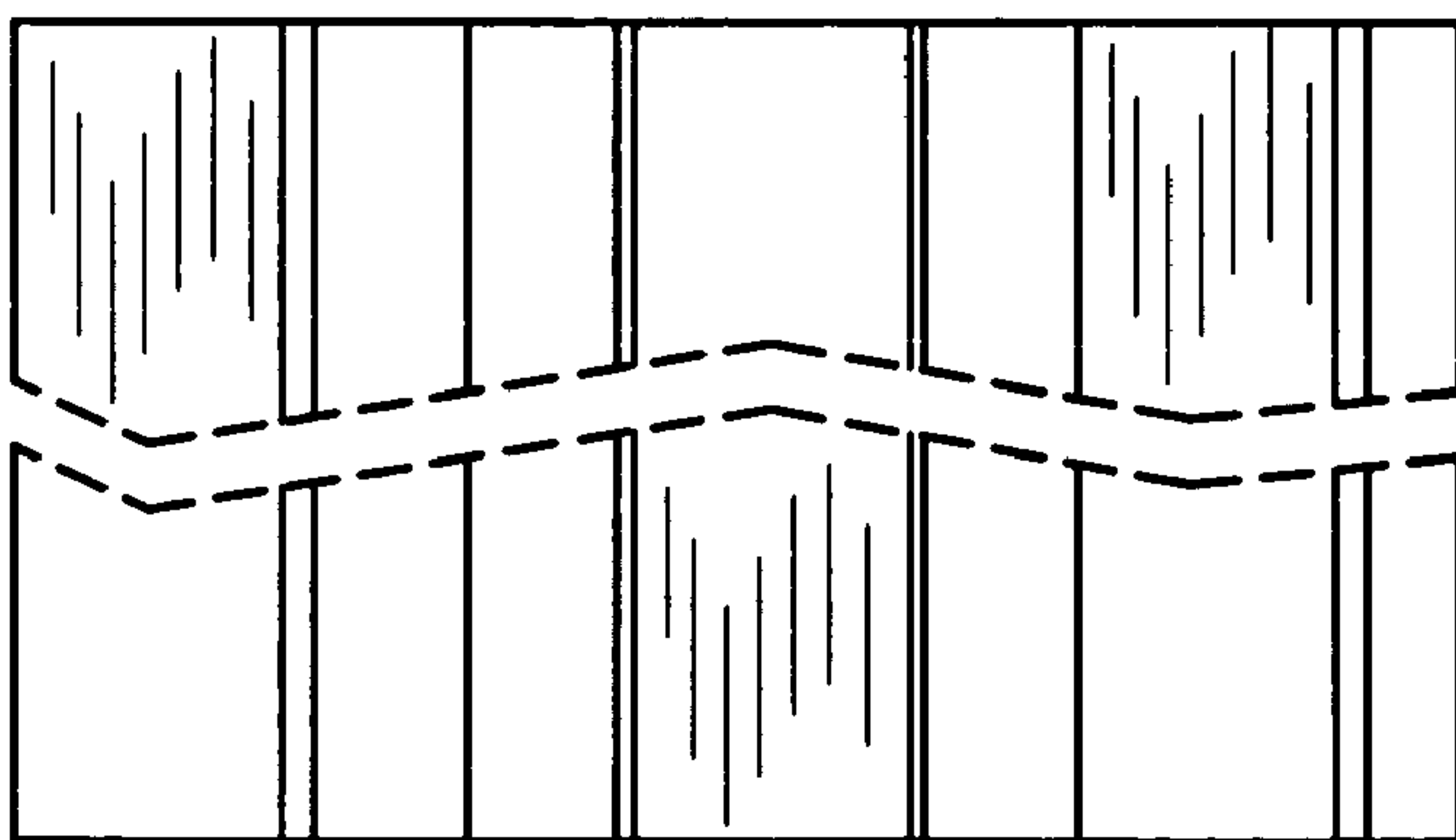


FIG - 5

FIG - 6

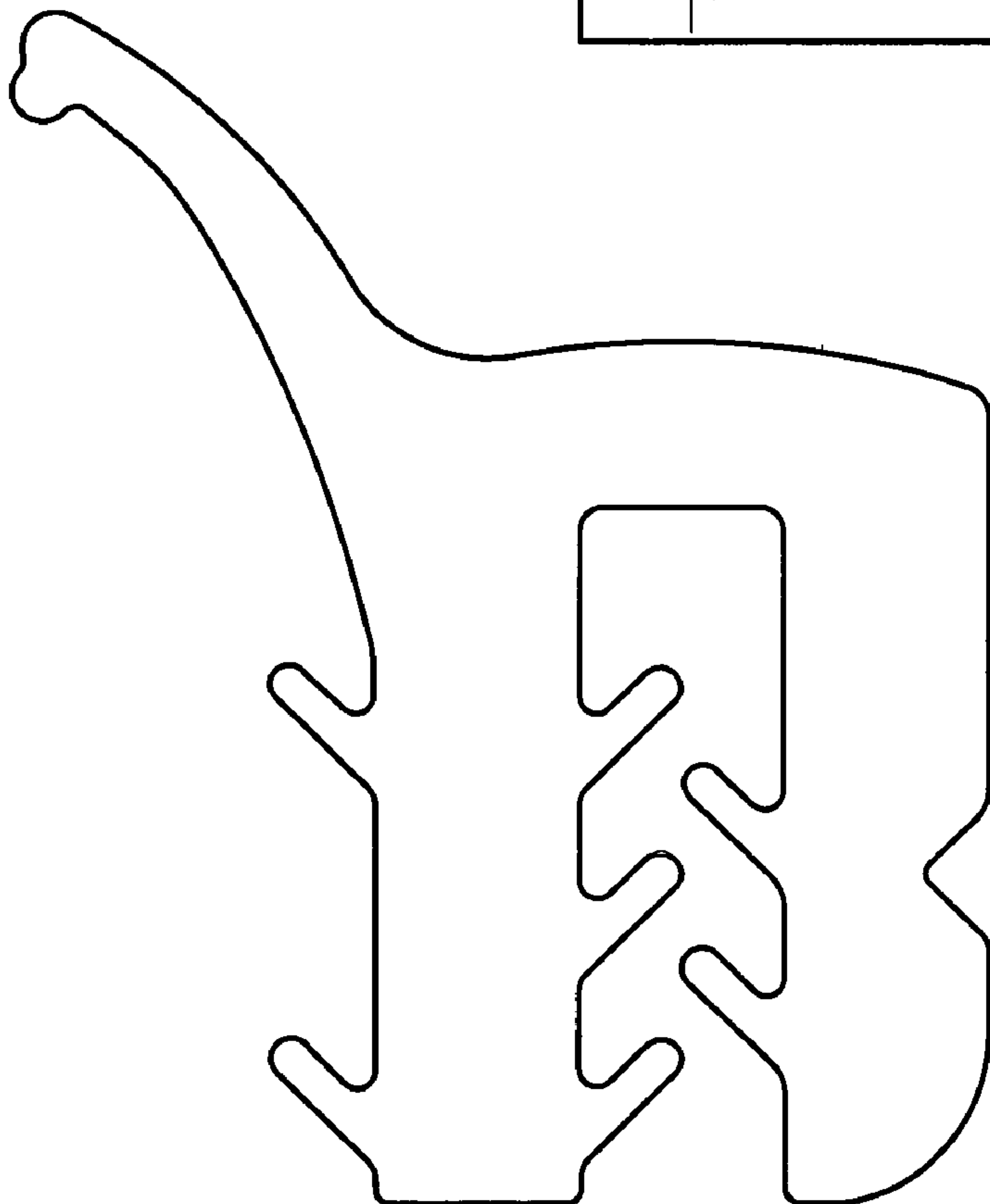
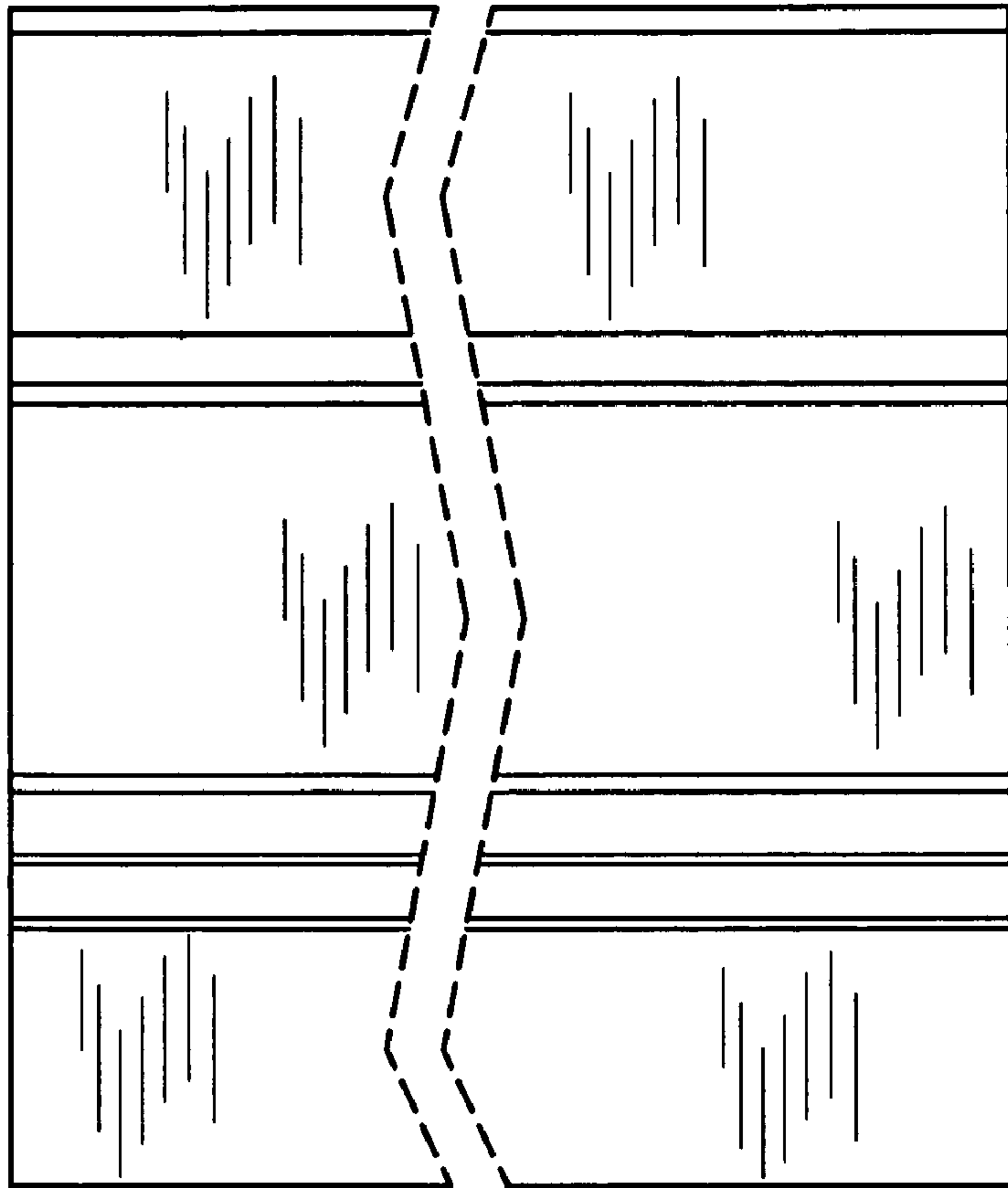


FIG - 7