



US00D669598S

(12) **United States Design Patent**
Timchak

(10) **Patent No.:** **US D669,598 S**
(45) **Date of Patent:** **** Oct. 23, 2012**

(54) **WINDOW WELL COVER**

(76) Inventor: **Timothy Timchak**, Sewickley, PA (US)

(**) Term: **14 Years**

(21) Appl. No.: **29/391,873**

(22) Filed: **May 13, 2011**

(51) **LOC (9) Cl.** **25-02**

(52) **U.S. Cl.** **D25/47.1**

(58) **Field of Classification Search** D25/47.1;
52/107

See application file for complete search history.

(56) **References Cited**

U.S. PATENT DOCUMENTS

D262,492 S *	12/1981	Mackes	D25/47.1
4,330,500 A	5/1982	Mackes		
4,896,467 A	1/1990	McGinnis		
6,581,338 B2 *	6/2003	Koenig et al.	52/107
D491,673 S *	6/2004	Andrews	D25/47.1
6,955,011 B1 *	10/2005	Meissner	52/107

7,444,784 B2 11/2008 Brown
2005/0160687 A1 7/2005 Corry
2008/0034673 A1 2/2008 Tran

* cited by examiner

Primary Examiner — Doris Clark

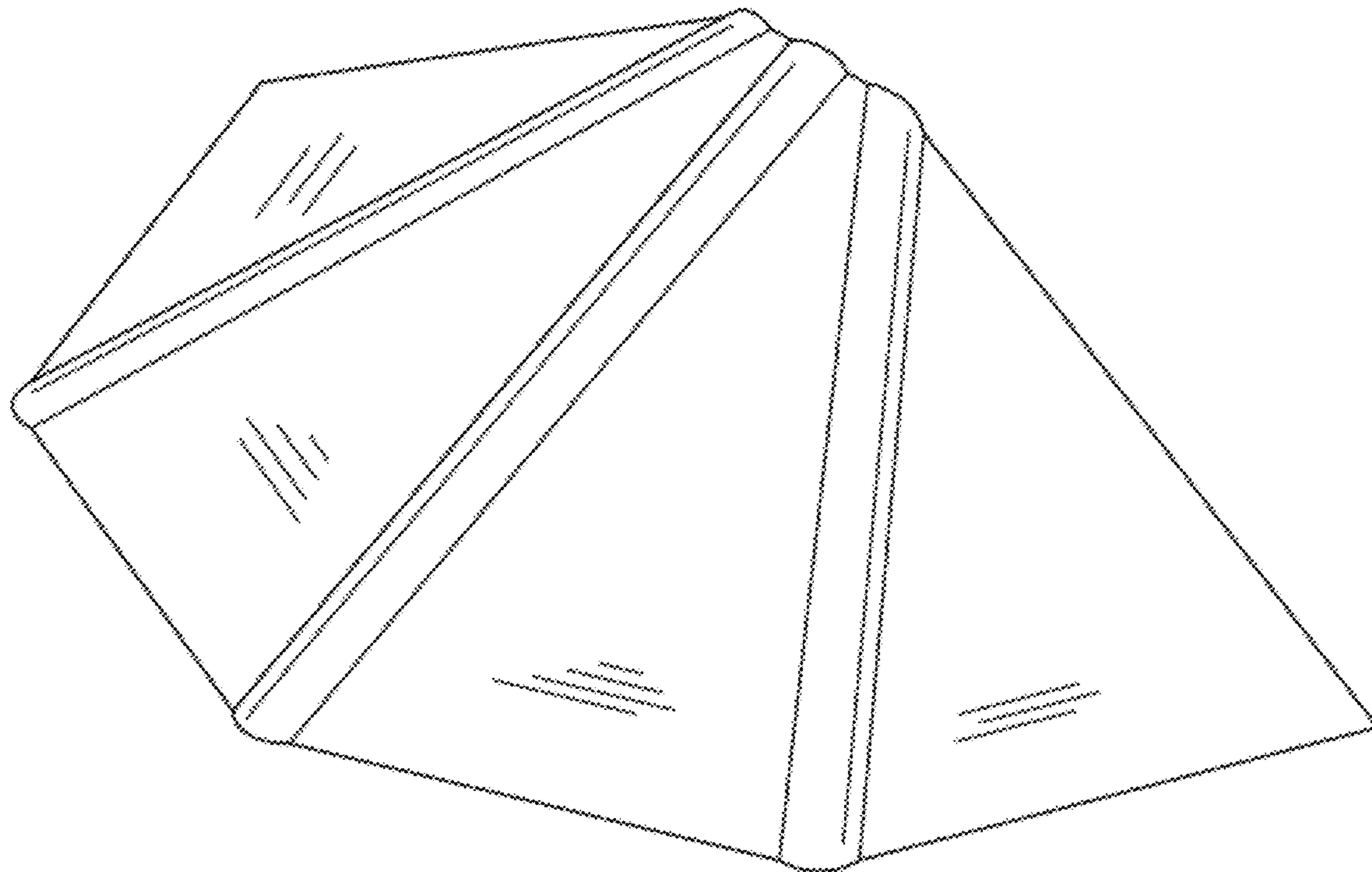
(57) **CLAIM**

The ornamental design for a window well cover, as shown and described.

DESCRIPTION

FIG. 1 is a front elevation view of a window well cover showing my new design;
FIG. 2 is a rear elevation view thereof;
FIG. 3 is a right elevation view thereof, the opposite side being a mirror image of the shown;
FIG. 4 is a top plan view thereof;
FIG. 5 is bottom plan view thereof; and,
FIG. 6 is an isometric view thereof.

1 Claim, 3 Drawing Sheets



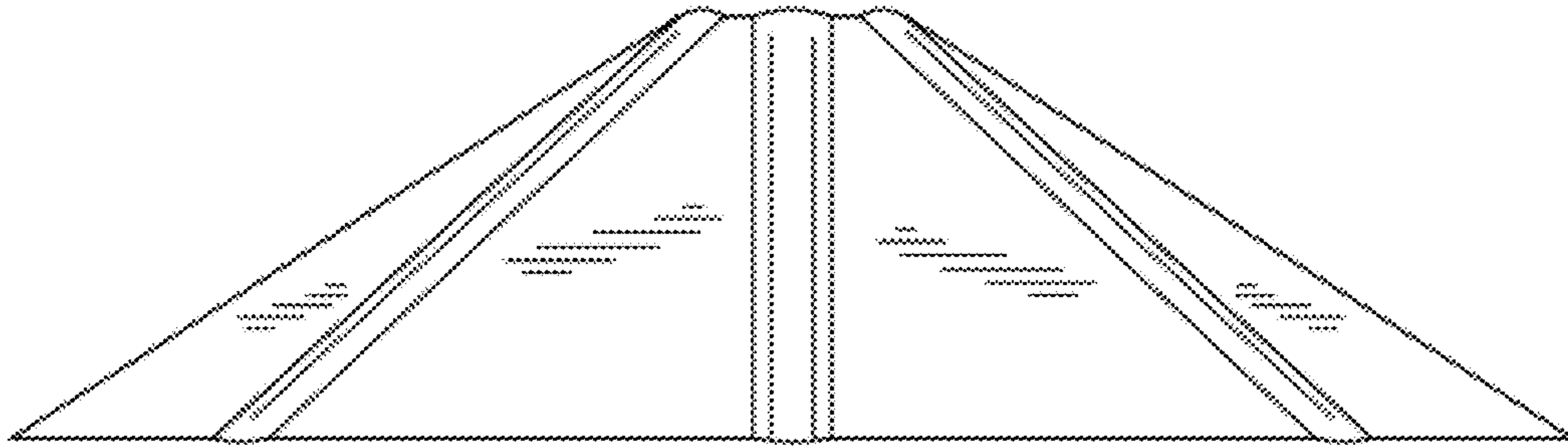


FIG. 1

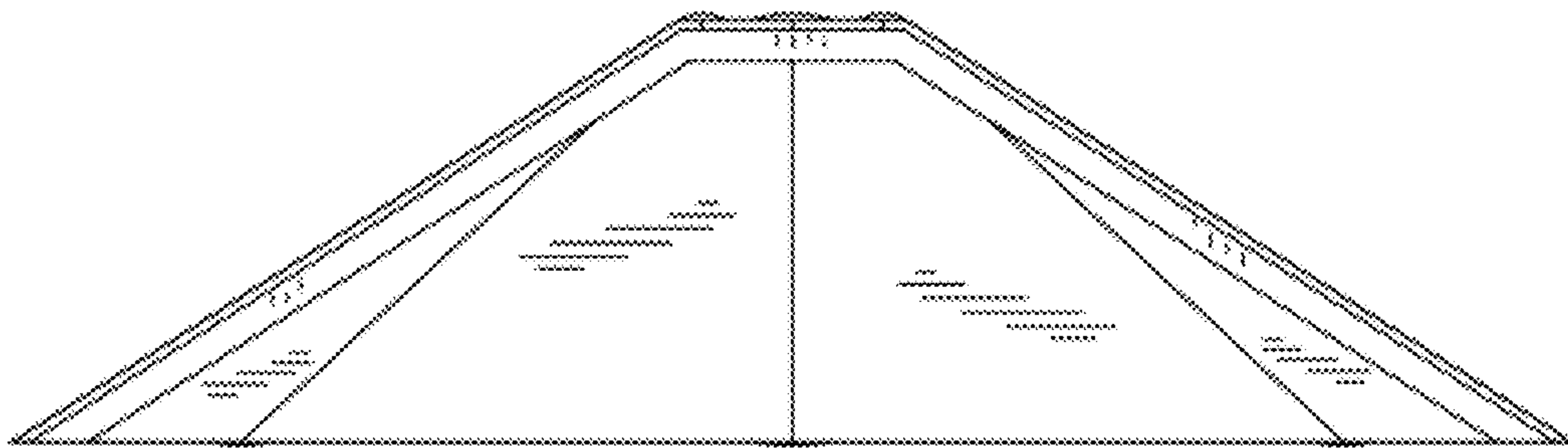


FIG. 2

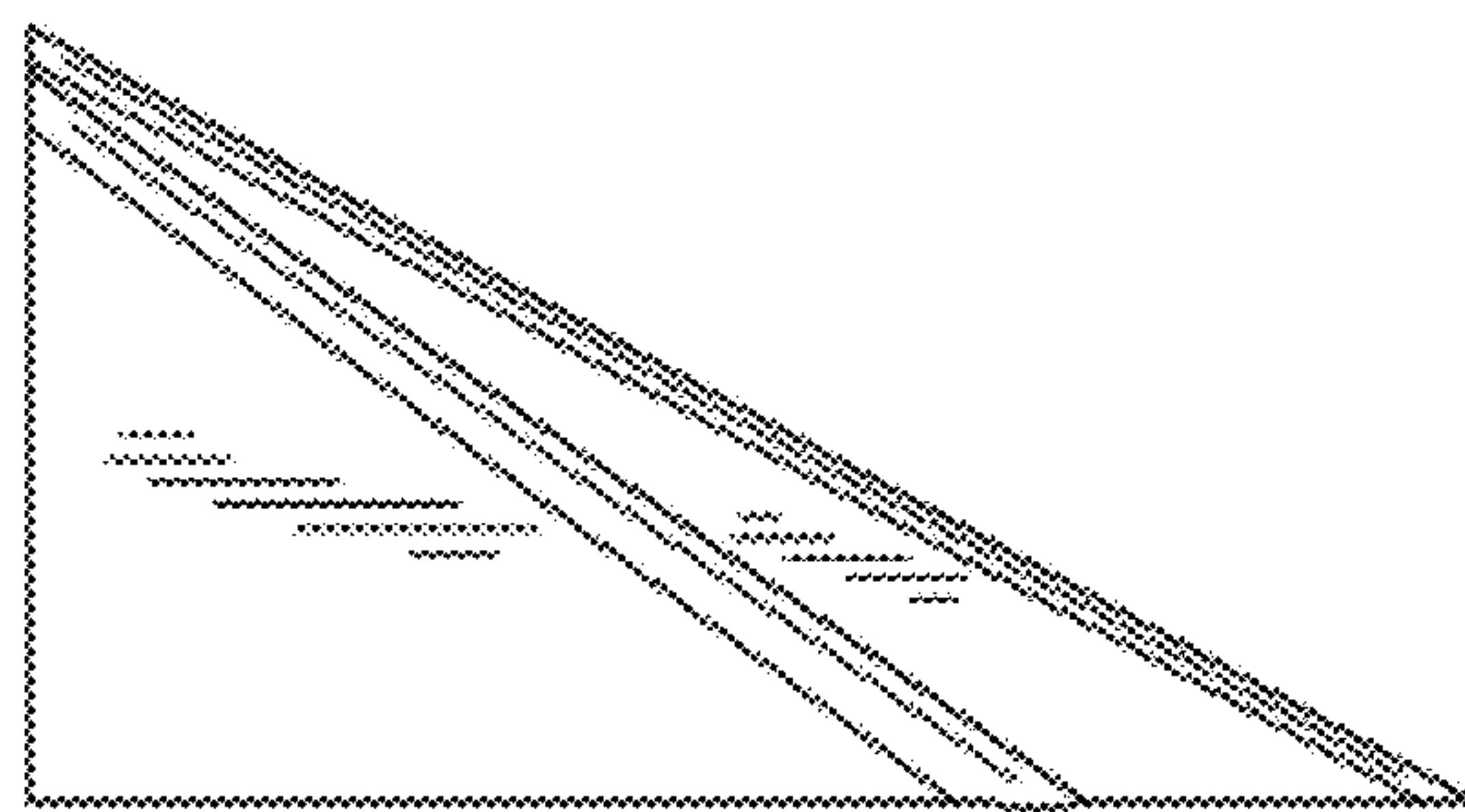


FIG. 3

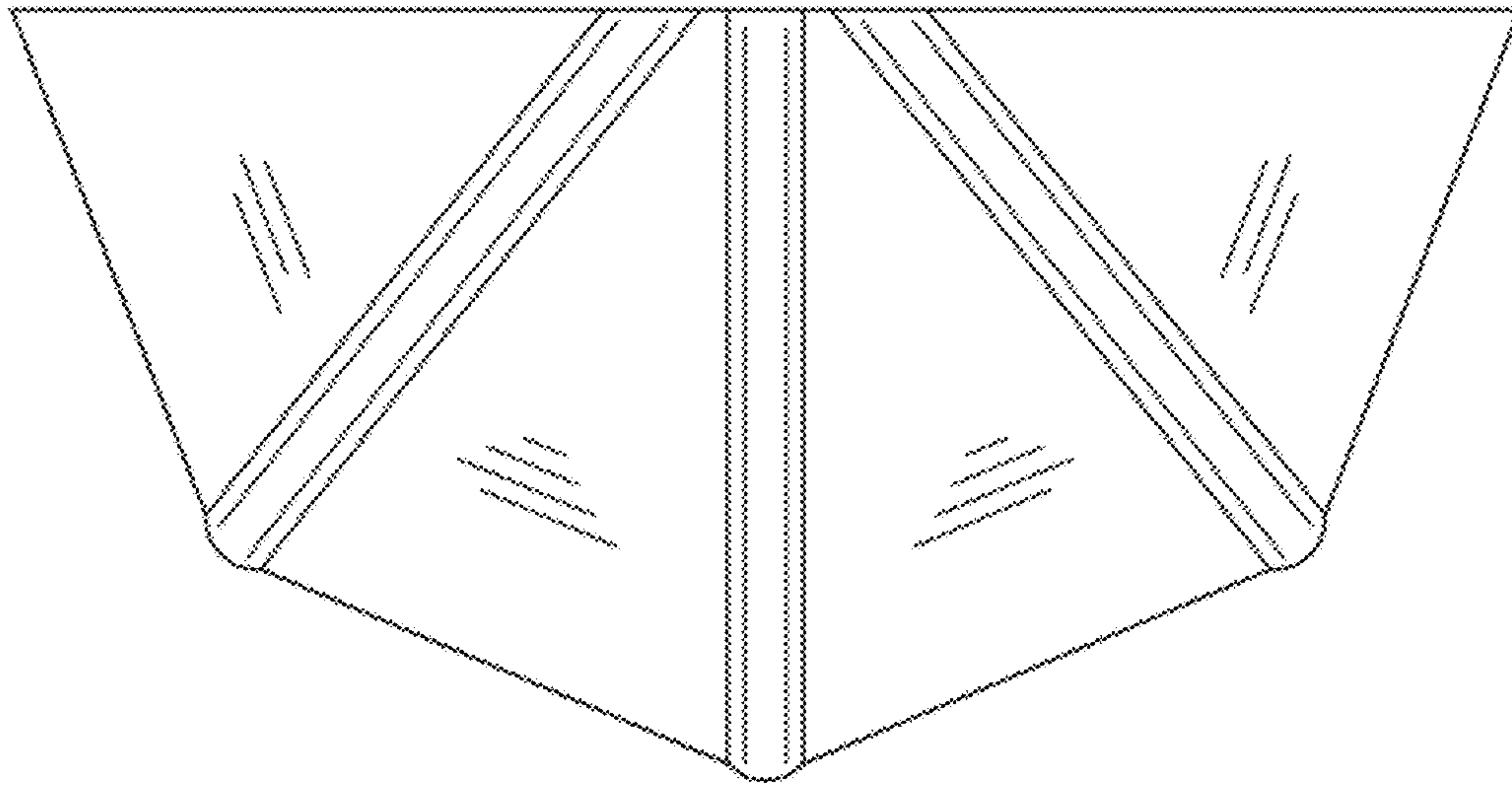


FIG. 4

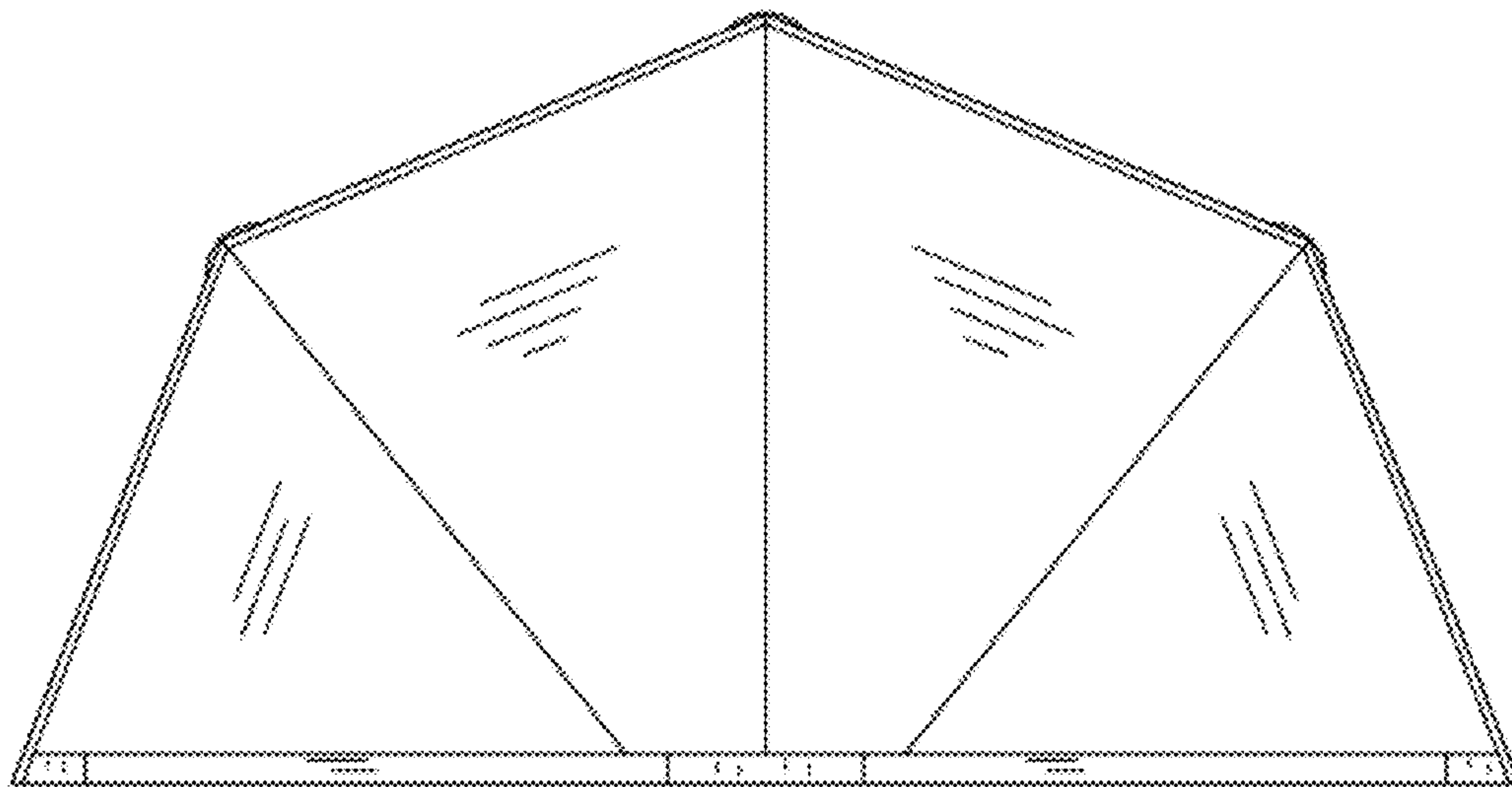


FIG. 5

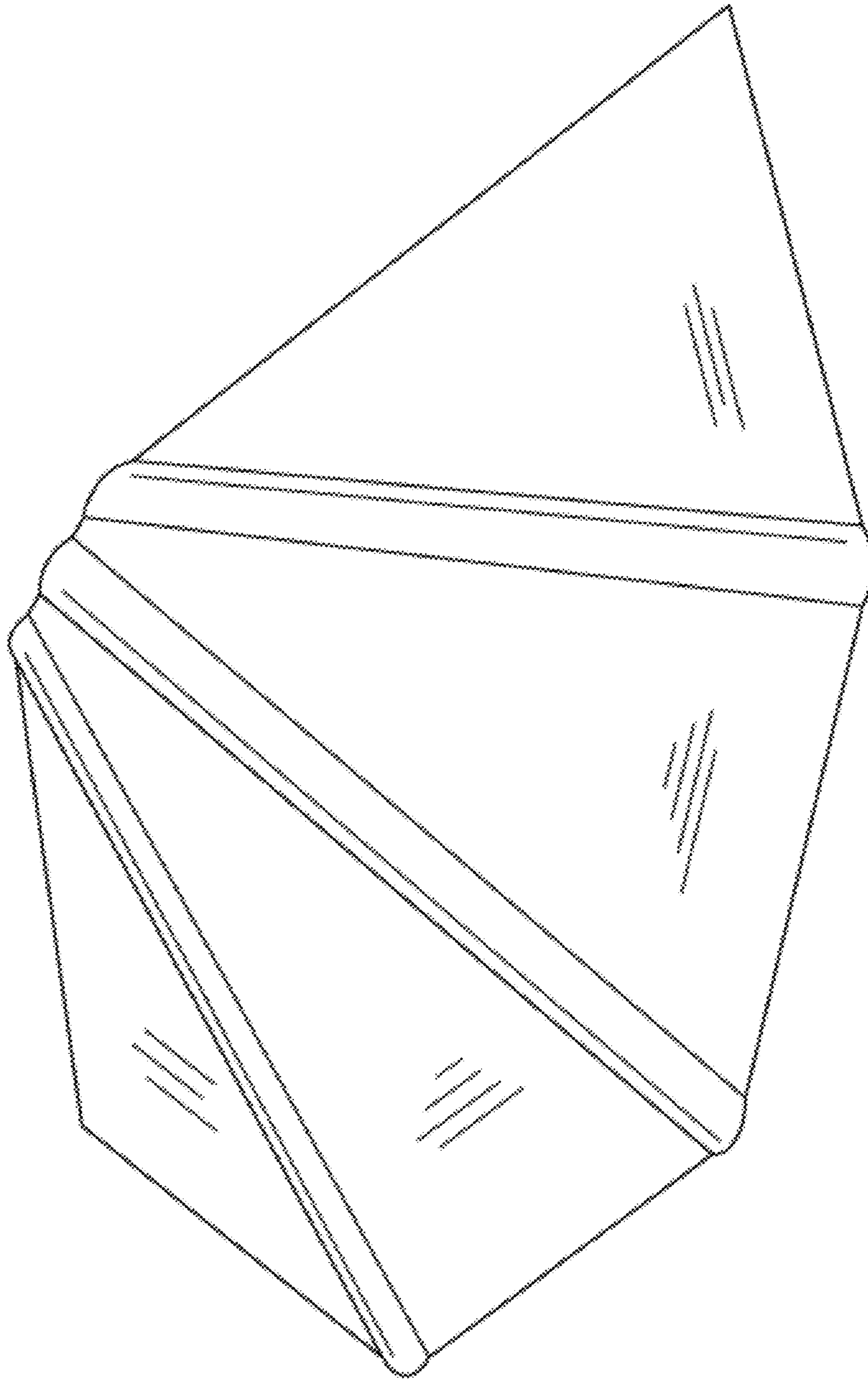


FIG. 6