



US00D669597S

(12) **United States Design Patent**
Cavada et al.

(10) **Patent No.:** **US D669,597 S**
(45) **Date of Patent:** **** Oct. 23, 2012**

(54) **LABORATORY APPARATUS**

422/65, 68.1, 266, 297, 300; 494/10; 435/6.1,
6.11, 6.12, 288.4, 305.2, 287.2; 436/43

(75) Inventors: **Gil Cavada**, Lake Zurich, IL (US);
Morten Egeberg, Blaker (NO); **Jamie Hogan**, San Diego, CA (US); **Espir Kahatt**, Carlsbad, CA (US); **Lars Nokleby**, Stabekk (NO); **Lars Norderhaug**, Nesodtangen (NO); **Tommy Rivrud**, Oslo (NO); **Kornelija Zgonc**, Carlsbad, CA (US)

See application file for complete search history.

(56) **References Cited**

U.S. PATENT DOCUMENTS

3,785,773	A *	1/1974	Rohrbaugh	422/550
4,200,613	A	4/1980	Alfrey et al.		
4,462,964	A	7/1984	Guigan et al.		
D282,208	S *	1/1986	Lowry	D24/222
4,577,760	A	3/1986	Rainin et al.		
4,675,299	A *	6/1987	Witty et al.	D24/226
5,005,721	A	4/1991	Jordan et al.		
D325,638	S	4/1992	Sloat et al.		
D367,932	S	3/1996	Lim		
D373,633	S *	9/1996	La Motte	D24/226
6,010,911	A *	1/2000	Baugh et al.	436/69
6,086,827	A	7/2000	Horner et al.		
D439,673	S	3/2001	Brophy et al.		

(Continued)

(73) Assignee: **Life Technologies AS**, Olso (NO)

(**) Term: **14 Years**

(21) Appl. No.: **29/390,065**

(22) Filed: **Apr. 19, 2011**

Related U.S. Application Data

(62) Division of application No. 29/350,190, filed on Nov. 12, 2009, now Pat. No. Des. 638,953.

(30) **Foreign Application Priority Data**

May 12, 2009	(EM)	001136659-0001
May 12, 2009	(EM)	001136659-0002
May 12, 2009	(EM)	001136659-0003
May 12, 2009	(EM)	001136659-0004
May 12, 2009	(EM)	001136659-0005
May 12, 2009	(EM)	001136659-0006
May 12, 2009	(EM)	001136659-0007
May 12, 2009	(EM)	001136659-0008
May 12, 2009	(EM)	001136659-0009

(51) **LOC (9) Cl.** **24-02**

(52) **U.S. Cl.** **D24/224; D24/216**

(58) **Field of Classification Search** D24/232,
D24/216, 224, 222, 217, 223, 226, 227, 229-231,
D24/228; D7/531; D3/294-295; D10/80-81;
73/863.32, 864, 864.14, 864.13, 864.17;

OTHER PUBLICATIONS

Google Image Result for <http://2.iming.com/data2/RO/UU/IMFCP-1670832/mb3984-06-758-all--250x250.jpg>. 1 page, Viewed on Jan. 6, 2011.

Primary Examiner — Wan Laymon

(57) **CLAIM**

The ornamental design for a laboratory apparatus, as shown and described.

DESCRIPTION

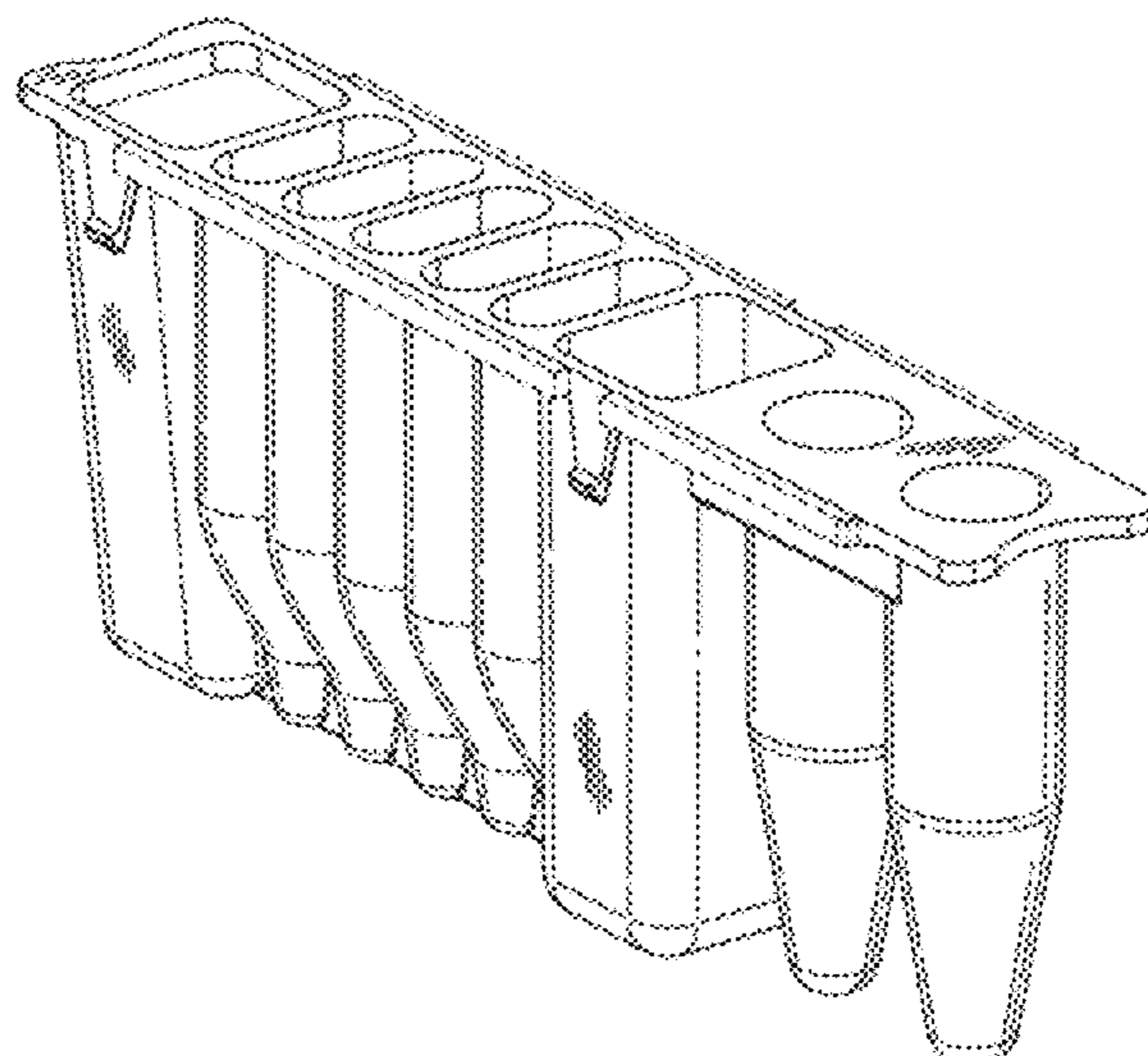
FIG. 1 is a front perspective view of a laboratory apparatus showing our design;

FIG. 2 is a top view thereof; and,

FIG. 3 is a left side view thereof, the right side is a mirror image of the left side.

The broken lines shown in the figures represent portions of the laboratory apparatus that form no part of the claimed design.

1 Claim, 3 Drawing Sheets



US D669,597 S

Page 2

U.S. PATENT DOCUMENTS

D441,091 S *	4/2001	Day	D24/224	D638,953 S *	5/2011	Cavada et al.	D24/226
D445,907 S *	7/2001	Monks	D24/224	8,133,671 B2 *	3/2012	Williams et al.	435/6.1
D453,573 S	2/2002	Lafond et al.		2007/0172941 A1 *	7/2007	Porat et al.	435/287.2
D471,988 S	3/2003	Lueth et al.		2008/0187462 A1	8/2008	Saitoh et al.	
D475,795 S	6/2003	Johnson et al.		2008/0233586 A1	9/2008	Turner et al.	
D508,999 S	8/2005	Fanning et al.		2009/0130745 A1 *	5/2009	Williams et al.	435/287.2
D612,276 S	3/2010	Duffy et al.		2009/0134069 A1	5/2009	Handique	
D612,948 S	3/2010	Fleury et al.		2010/0200405 A1 *	8/2010	Lenz	422/68.1
D618,820 S *	6/2010	Wilson et al.	D24/227	2011/0198293 A1 *	8/2011	Ellis et al.	210/695
D624,194 S *	9/2010	Pack et al.	D24/224	2011/0287447 A1 *	11/2011	Norderhaug et al.	435/7.1
D637,737 S *	5/2011	Wilson et al.	D24/230				

* cited by examiner

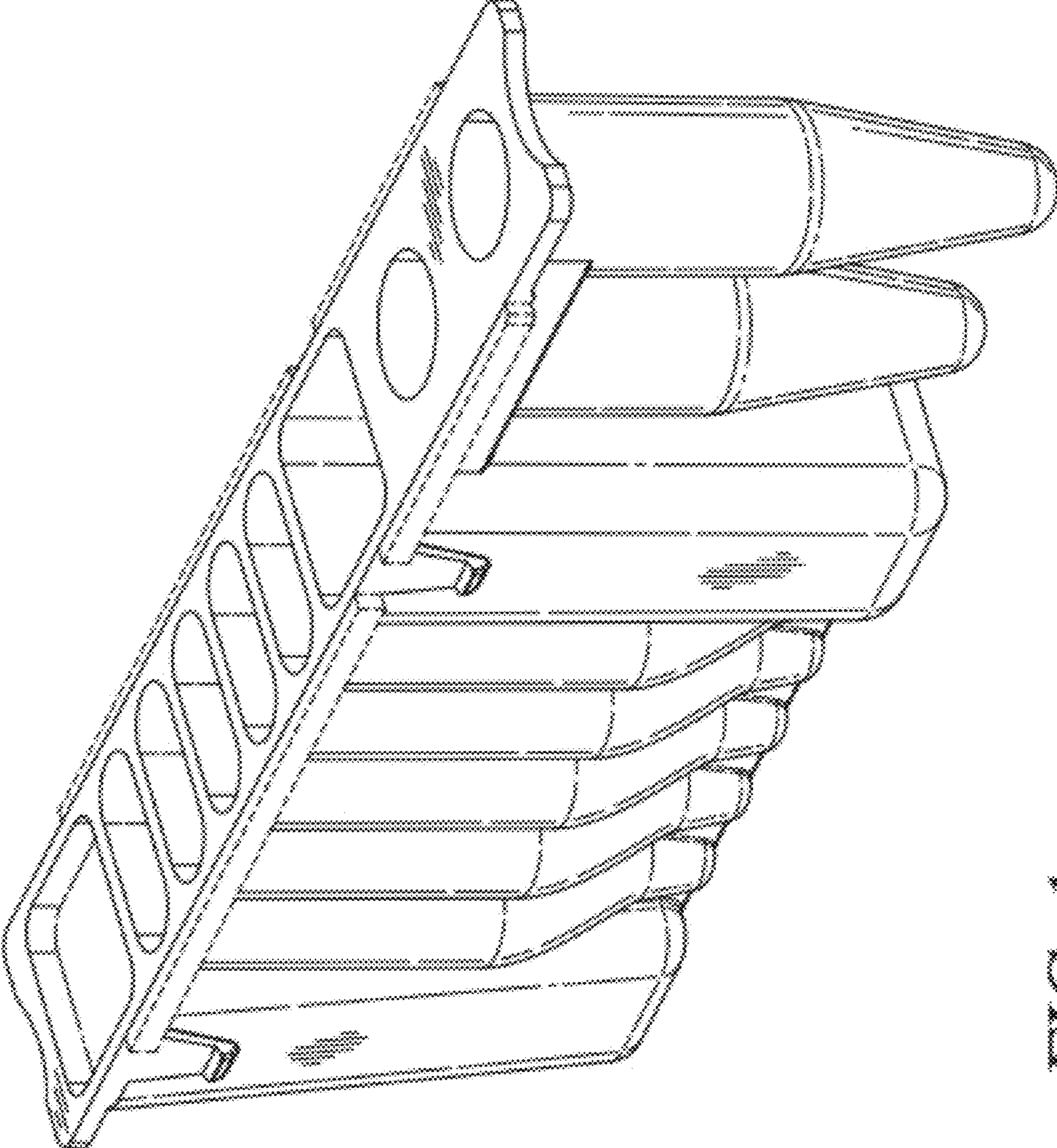


FIG. 1

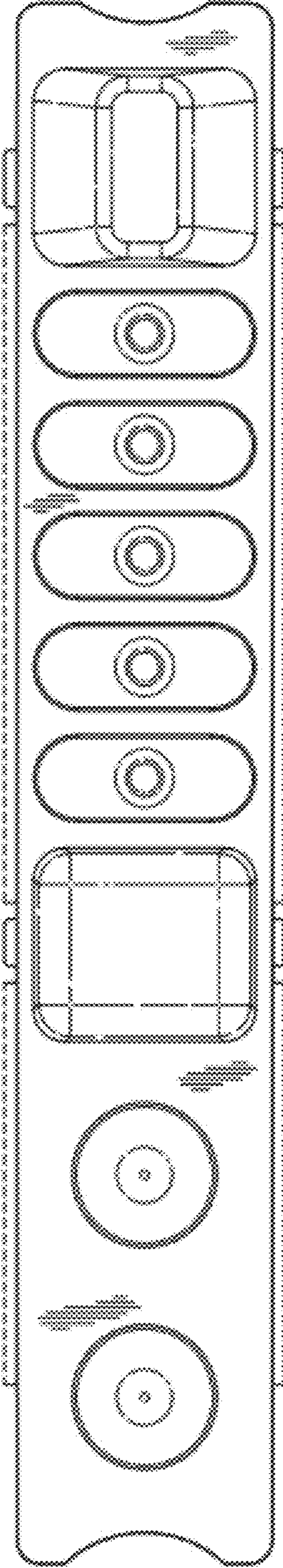


FIG. 2

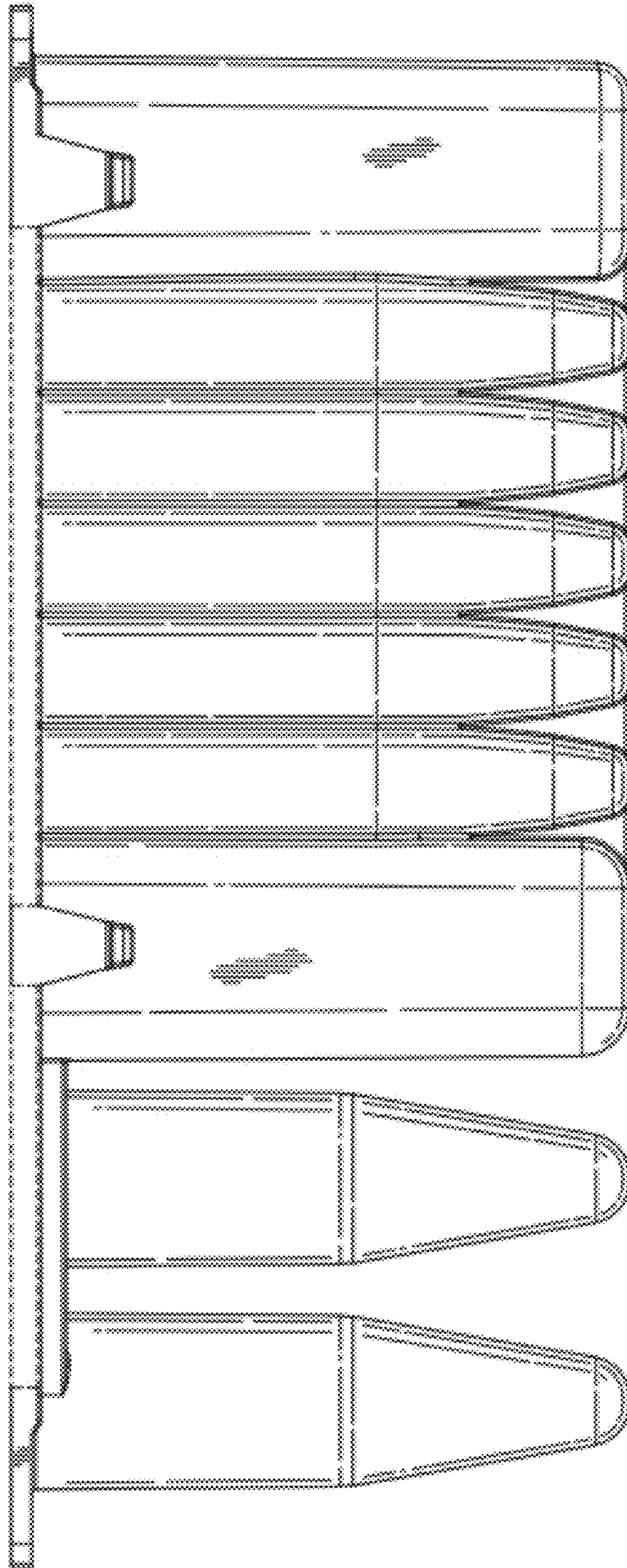


FIG. 3