



US00D669594S

(12) **United States Design Patent**
Cao et al.

(10) **Patent No.:** **US D669,594 S**
(45) **Date of Patent:** **** Oct. 23, 2012**

(54) **CARTRIDGE ASSEMBLY**

(75) Inventors: **Weidong Cao**, Rockville, MD (US);
Kenton C. Hasson, Germantown, MD
(US); **Ivor T. Knight**, Arlington, VA
(US); **Takayoshi Hanagata**, Newport
News, VA (US)

(73) Assignee: **Canon U.S. Life Sciences, Inc.**,
Rockville, MD (US)

(**) Term: **14 Years**

(21) Appl. No.: **29/368,929**

(22) Filed: **Aug. 31, 2010**

(51) **LOC (9) Cl.** **24-01**

(52) **U.S. Cl.** **D24/216**

(58) **Field of Classification Search** D24/216–232,
D24/186; D10/81; 422/500, 502, 503, 554;
435/287.1, 288.1, 288.2, 288.4, 287.9, 288.3;
359/396, 397, 398

See application file for complete search history.

(56) **References Cited**

U.S. PATENT DOCUMENTS

D269,702	S	*	7/1983	Suovaniemi et al.	D24/226
D328,135	S	*	7/1992	Fan et al.	D24/223
D341,428	S	*	11/1993	Turner	D24/222
5,290,521	A	*	3/1994	DeStefano, Jr.	422/563
D351,475	S	*	10/1994	Gerber	D24/223
D416,330	S	*	11/1999	Brown	D24/224

7,704,735	B2	*	4/2010	Facer et al.	435/303.1
2004/0141887	A1	*	7/2004	Mainquist et al.	422/102
2008/0056948	A1	*	3/2008	Dale et al.	422/68.1
2009/0191638	A1	*	7/2009	Schilffarth et al.	436/50
2010/0291588	A1	*	11/2010	McDevitt et al.	435/29
2011/0008223	A1	*	1/2011	Tsao et al.	422/502

* cited by examiner

Primary Examiner — Anhdao Doan

(74) *Attorney, Agent, or Firm* — Rothwell, Figg, Ernst &
Manbeck, P.C.

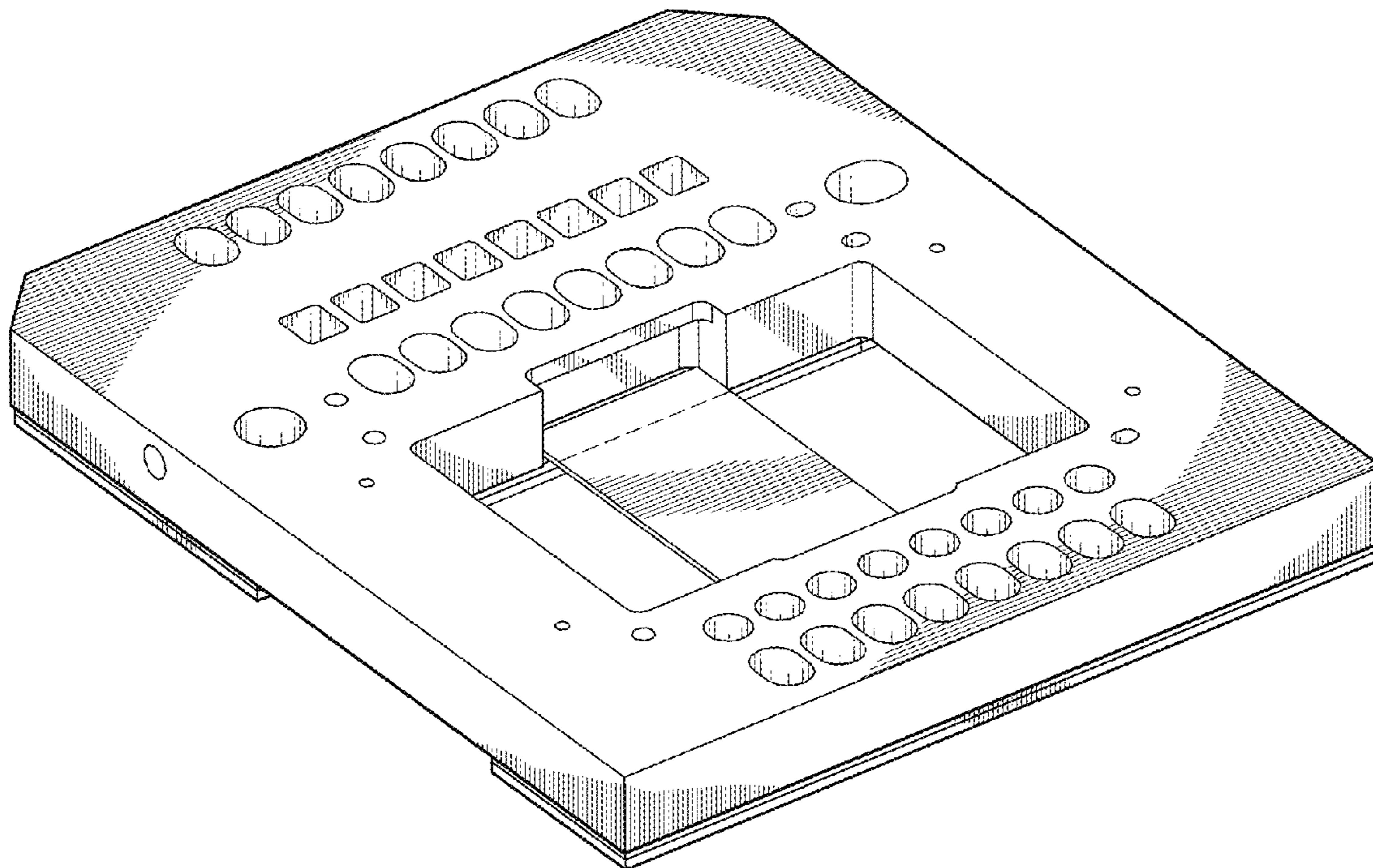
(57) **CLAIM**

The ornamental design for a cartridge assembly, as shown and
described.

DESCRIPTION

FIG. 1 is a perspective view of a cartridge assembly;
FIG. 2 is an exploded view thereof;
FIG. 3 is a top view thereof;
FIG. 4 is a left side view thereof;
FIG. 5 is a right side view thereof;
FIG. 6 is a front view thereof;
FIG. 7 is a rear view thereof; and,
FIG. 8 is a bottom view thereof.
The portions of the design shown in FIGS. 1-3 and 8 in broken
lines form no part of the claimed design.

1 Claim, 5 Drawing Sheets



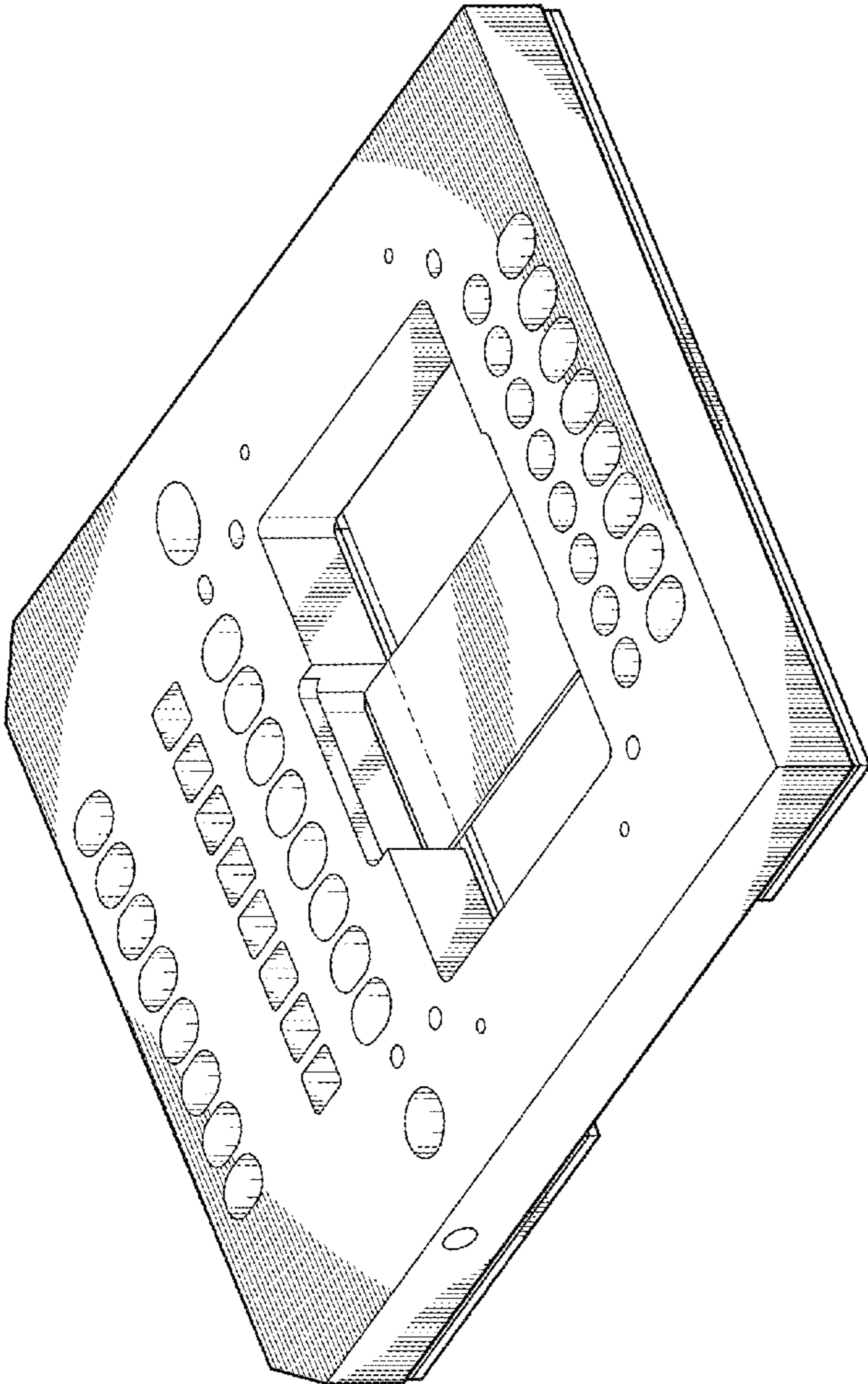


FIG. 1

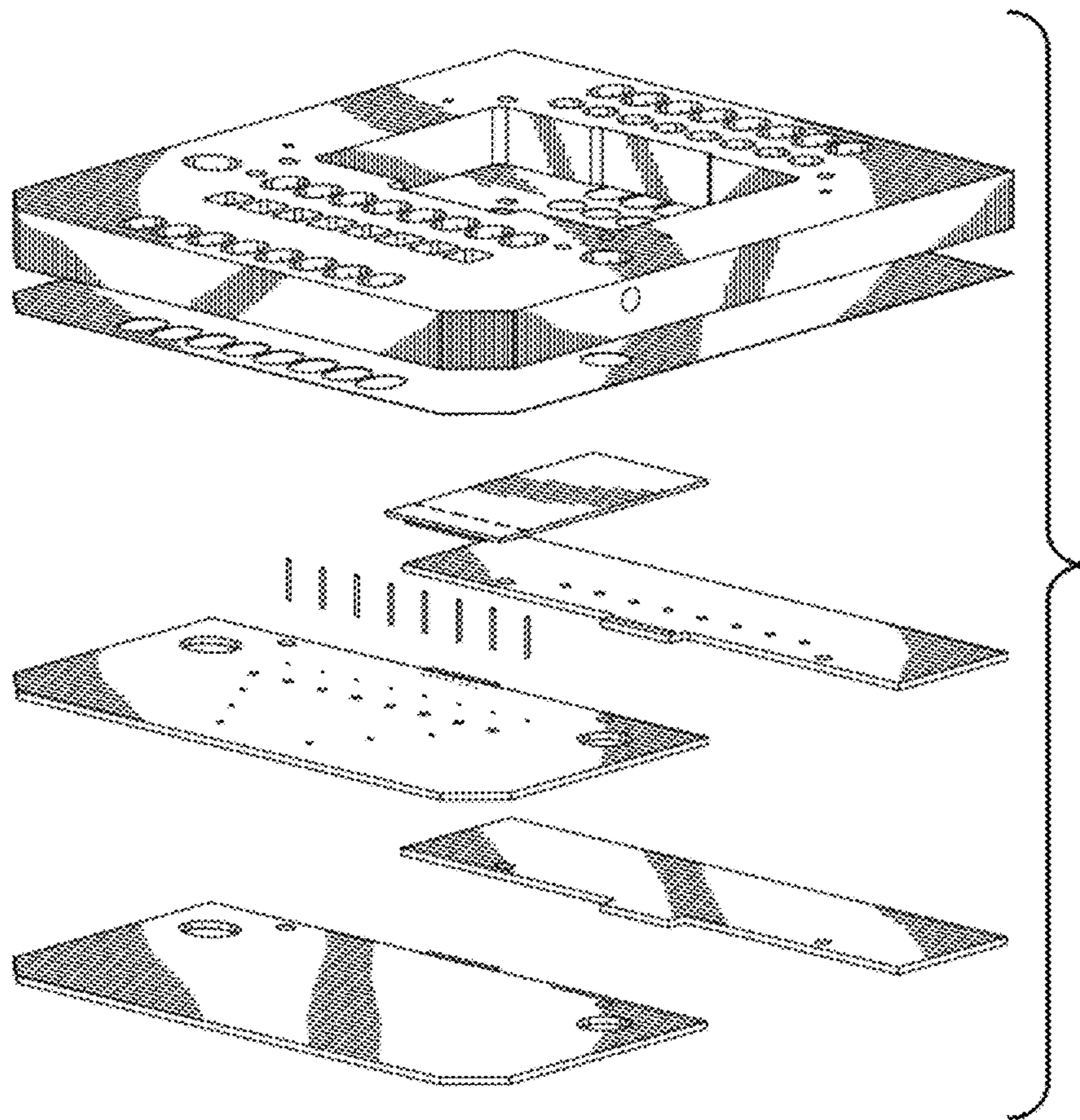


FIG. 2

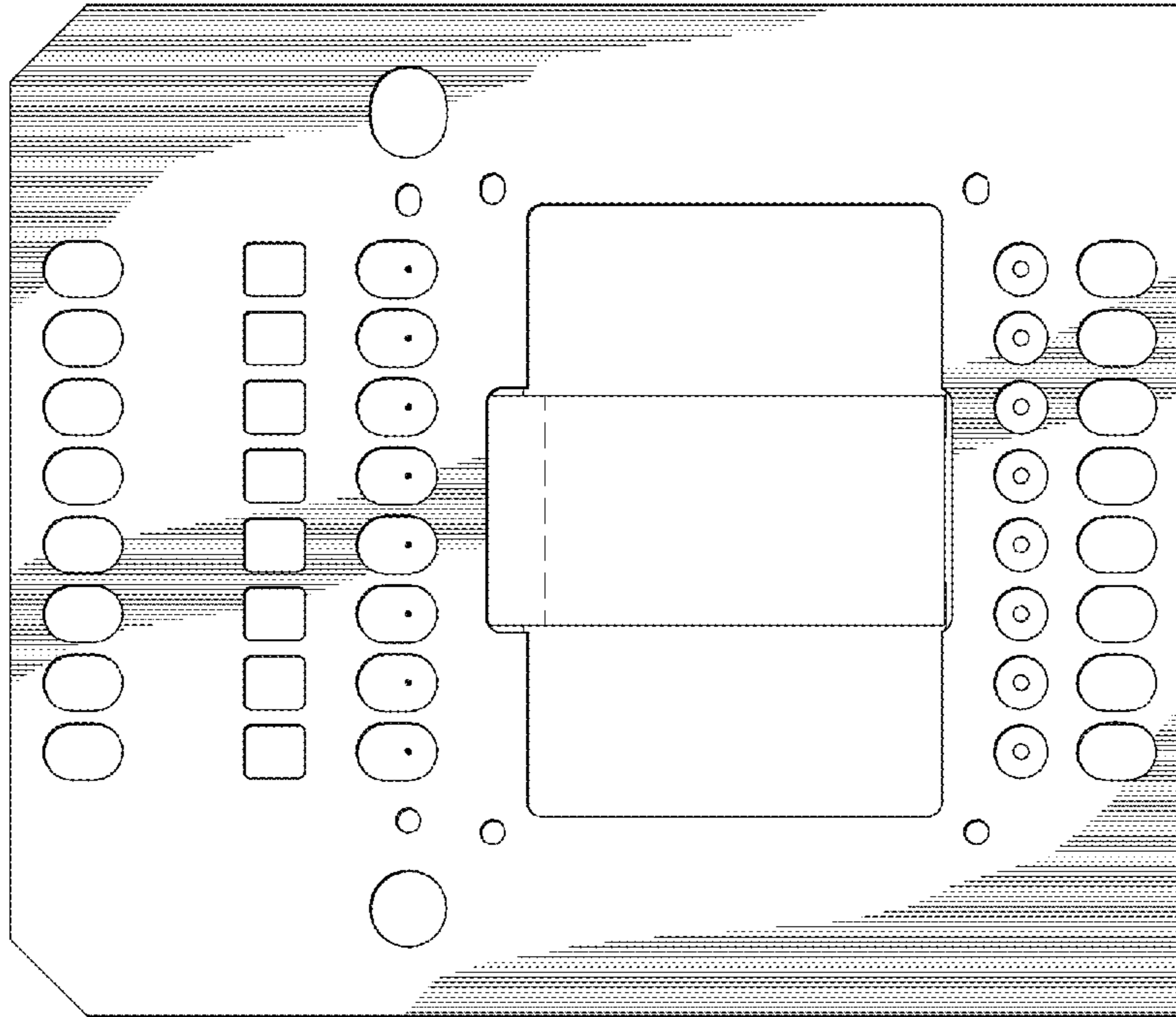


FIG. 3

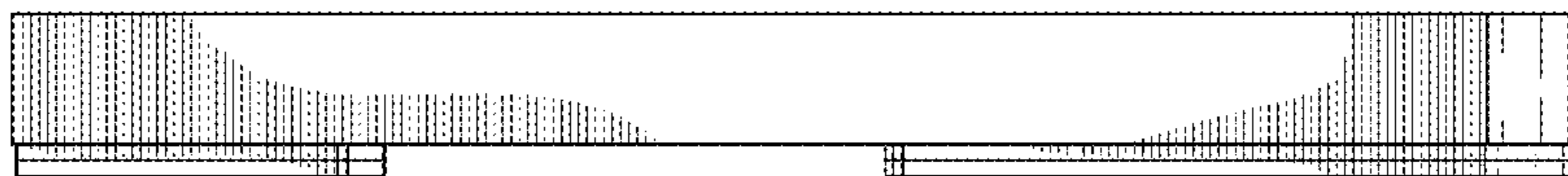


FIG. 4

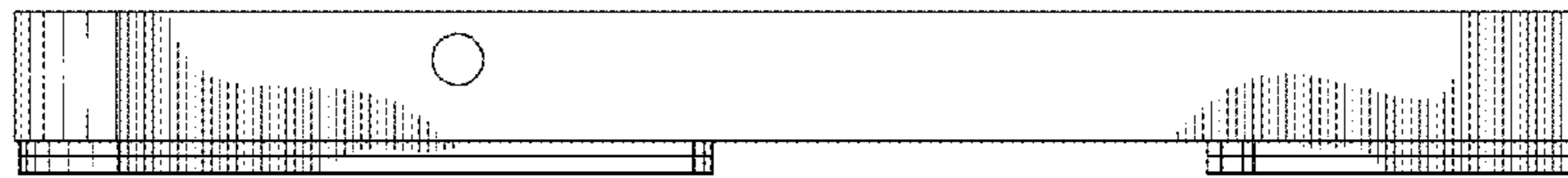


FIG. 5

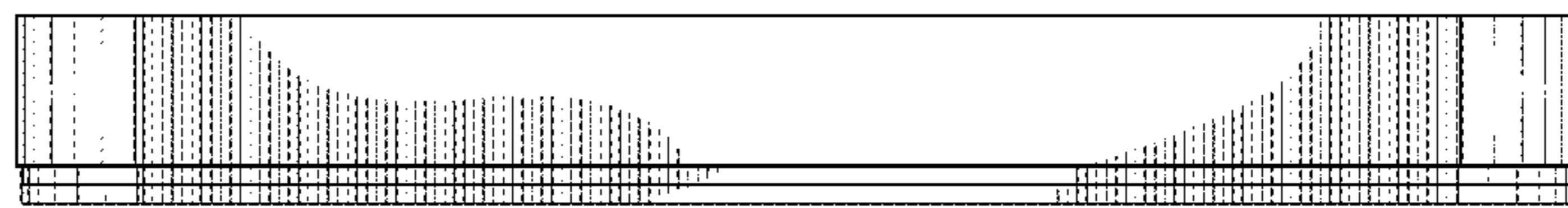


FIG. 6

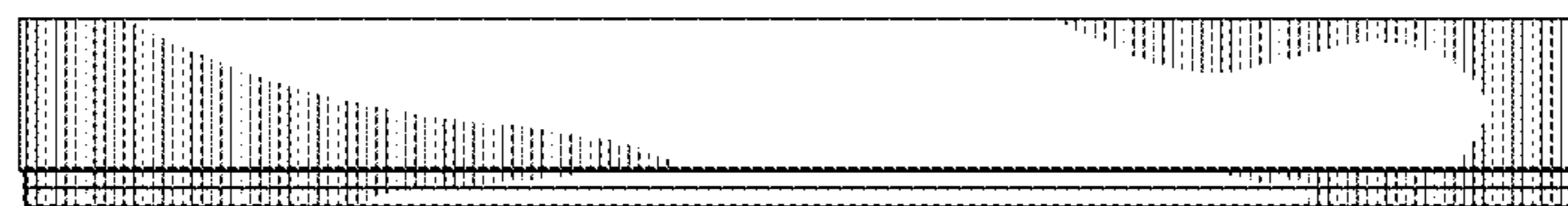


FIG. 7

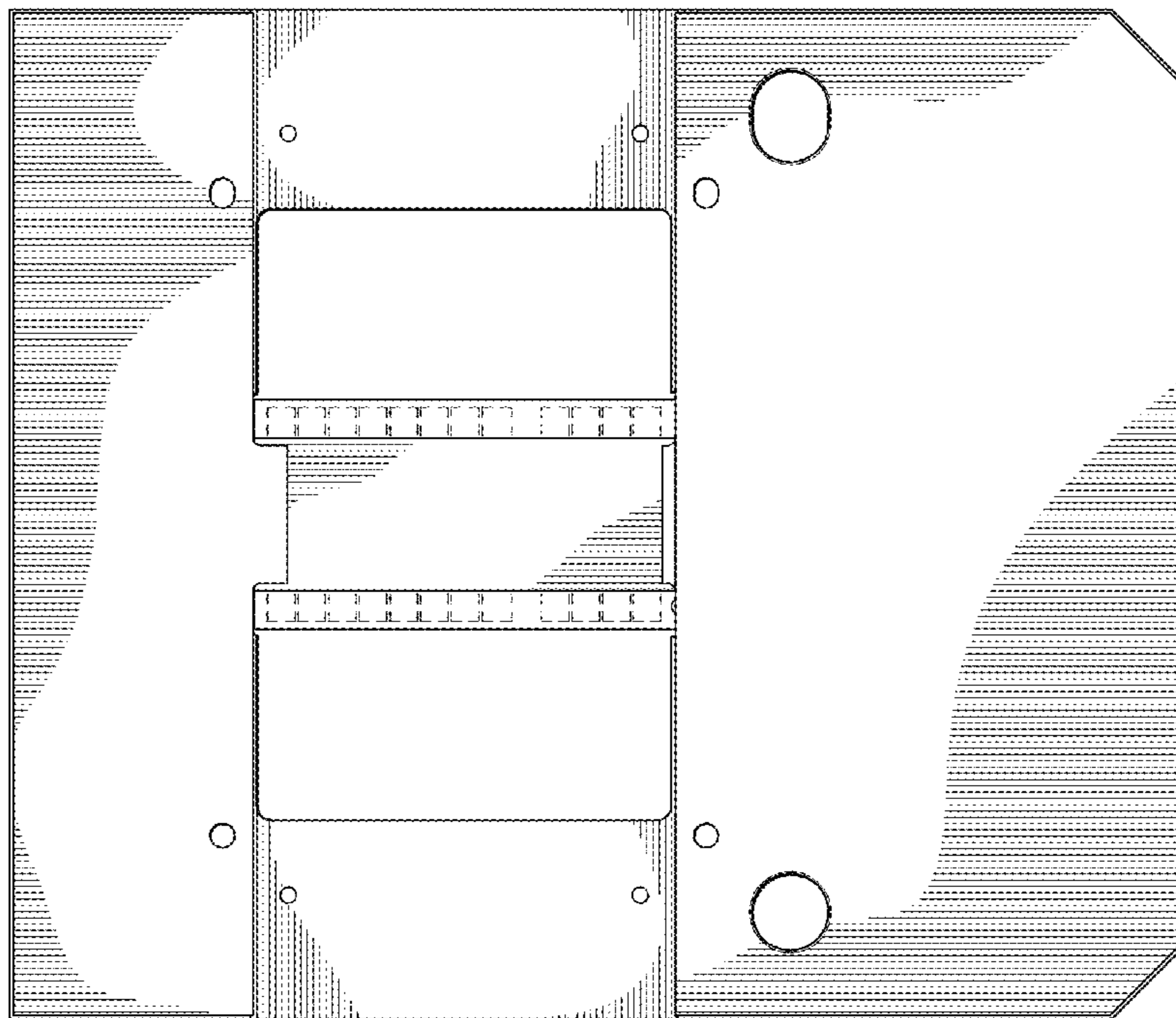


FIG. 8