



US00D669593S

(12) **United States Design Patent**  
**Elder**

(10) **Patent No.:** **US D669,593 S**

(45) **Date of Patent:** **\*\* Oct. 23, 2012**

(54) **PORTABLE PAIN RELIEF DEVICE**

(75) Inventor: **Iain Elder**, Woodbridge (GB)

(73) Assignee: **Pulse Medical Technologies Ltd.**,  
Swansea (GB)

(\*\*) Term: **14 Years**

(21) Appl. No.: **29/407,313**

(22) Filed: **Nov. 28, 2011**

(30) **Foreign Application Priority Data**

May 27, 2011 (GB) ..... 4020185

(51) **LOC (9) Cl.** ..... **28-03**

(52) **U.S. Cl.** ..... **D24/215**

(58) **Field of Classification Search** ..... D24/200,  
D24/211–215, 141; 601/27, 28, 33, 40, 46,  
601/47, 48, 63, 80, 99, 104, 112, 113, 114,  
601/119, 122, 125, 129, 134, 135, 137, DIG. 12,  
601/DIG. 13, DIG. 14, DIG. 15, DIG. 16,  
601/DIG. 17

See application file for complete search history.

(56) **References Cited**

U.S. PATENT DOCUMENTS

D208,608 S *	9/1967	Madl .....	D24/214
D358,654 S *	5/1995	Smith .....	D24/200
D481,463 S *	10/2003	Cook et al. ....	D24/200
D521,648 S *	5/2006	Wang .....	D24/214
D551,355 S *	9/2007	Tao .....	D24/200
D586,469 S *	2/2009	Henry .....	D24/200
D608,943 S *	1/2010	Limongi .....	D28/7
D623,305 S *	9/2010	Tao .....	D24/200

\* cited by examiner

*Primary Examiner* — Sandra Snapp

(74) *Attorney, Agent, or Firm* — Dardi & Herbert, PLLC;  
Curtis B. Herbert

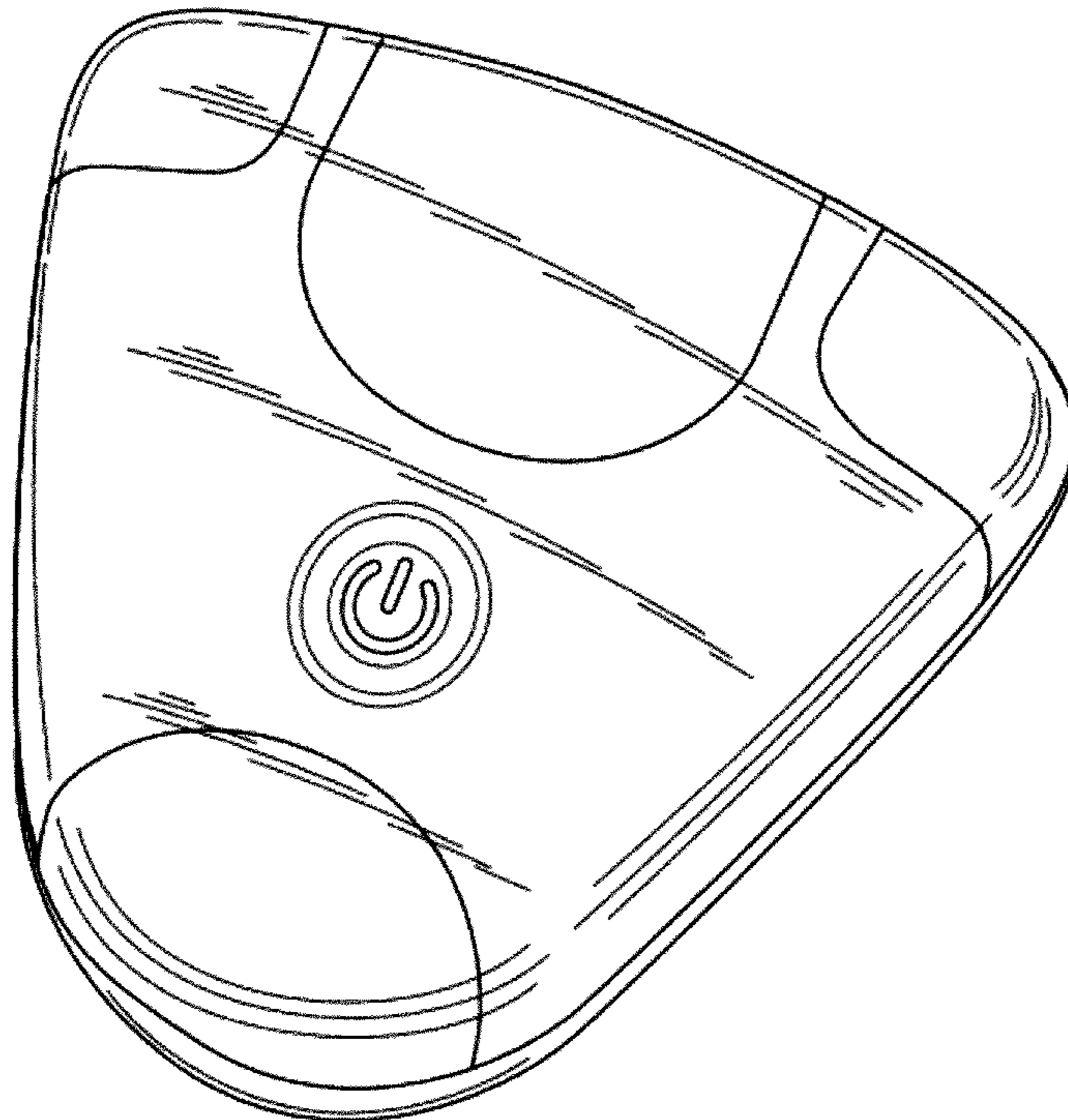
(57) **CLAIM**

I claim the ornamental design for a portable pain relief device,  
as shown.

**DESCRIPTION**

FIG. 1 is a front perspective view of the device;  
FIG. 2 is a top view of the device;  
FIG. 3 is a bottom view of the device;  
FIG. 4 is a back view of the device;  
FIG. 5 is a front view of the device;  
FIG. 6 is a left side view of the device; and,  
FIG. 7 is a right side view of the device.

**1 Claim, 5 Drawing Sheets**



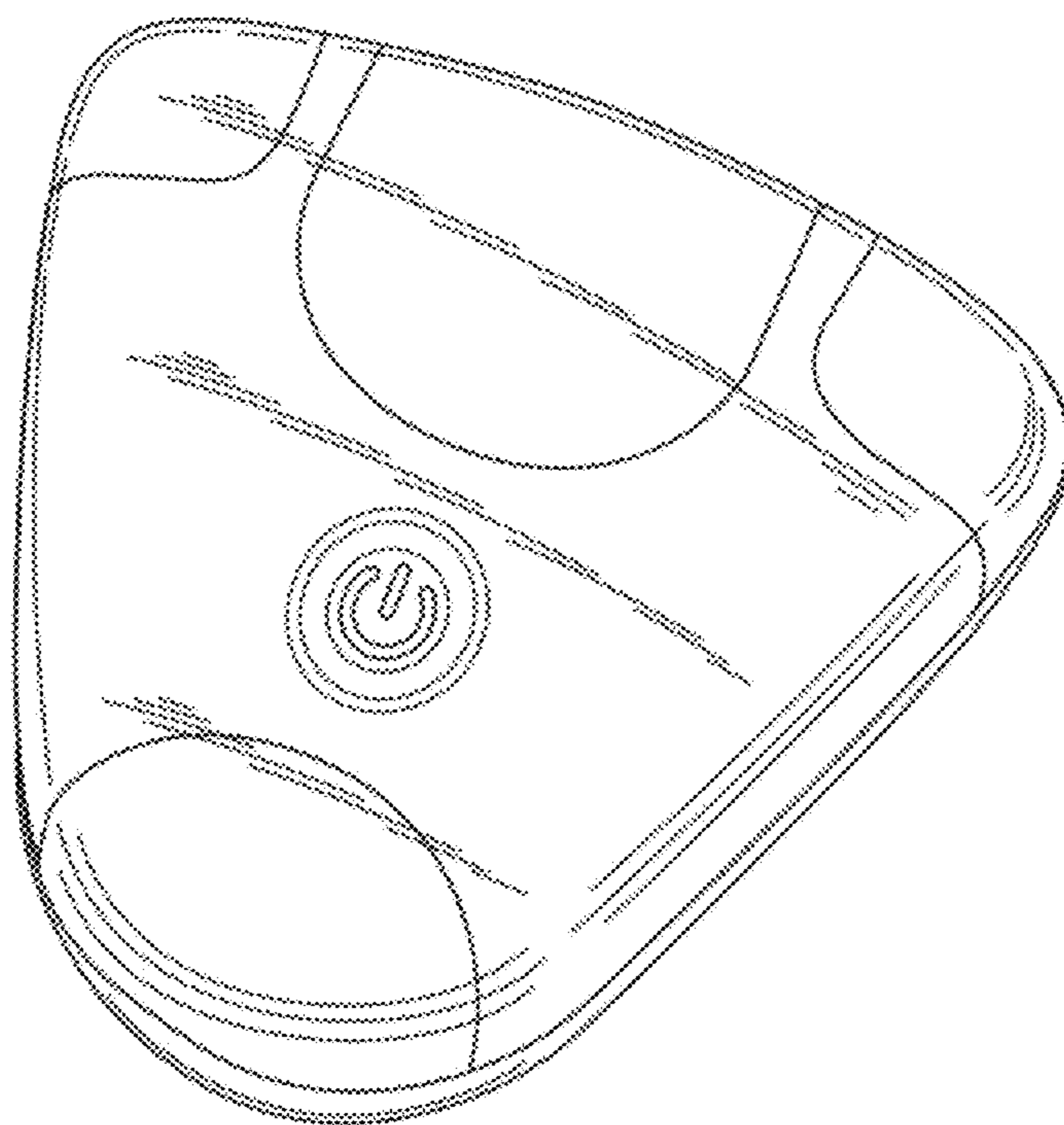


FIG. 1

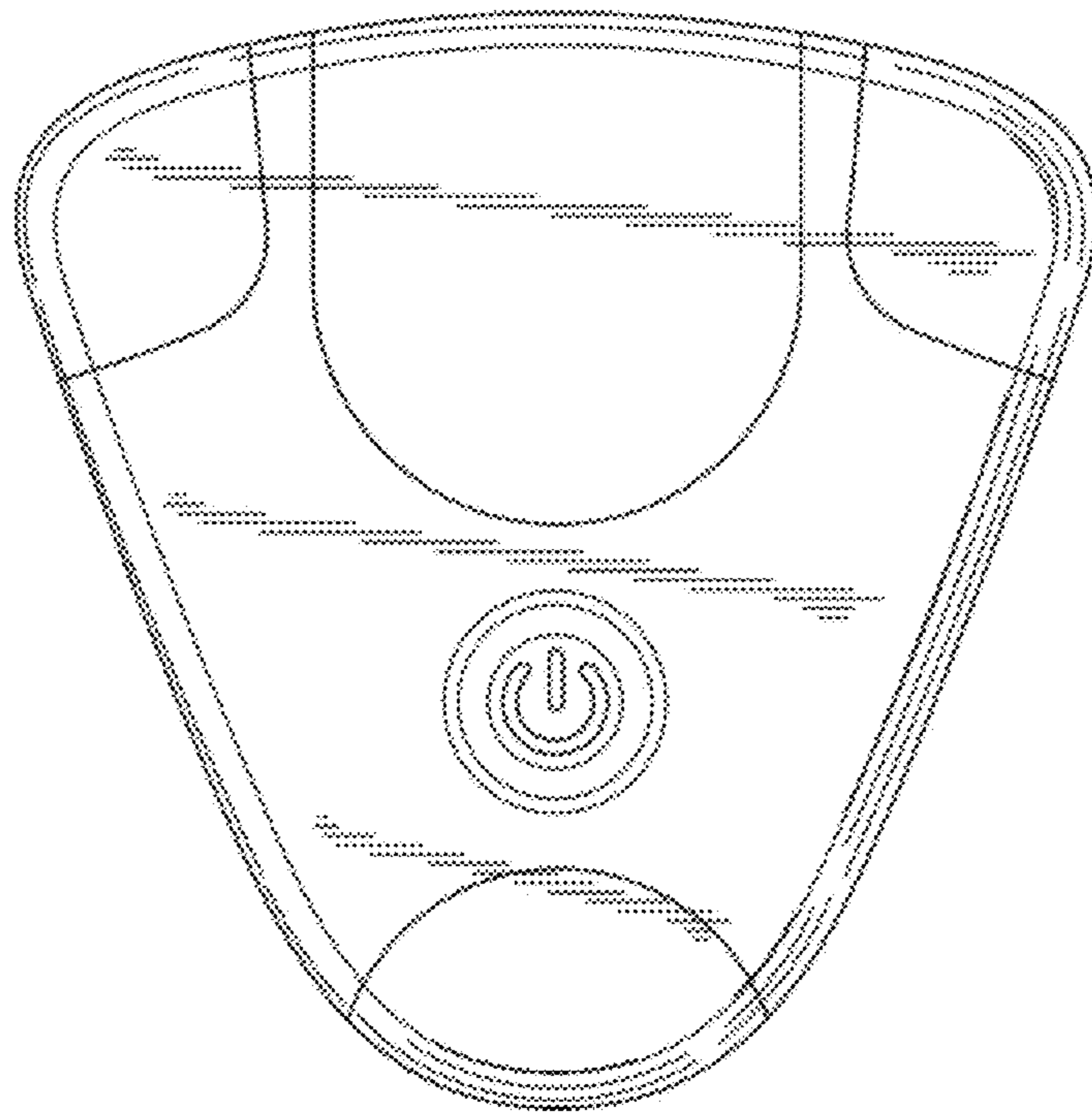


FIG. 2

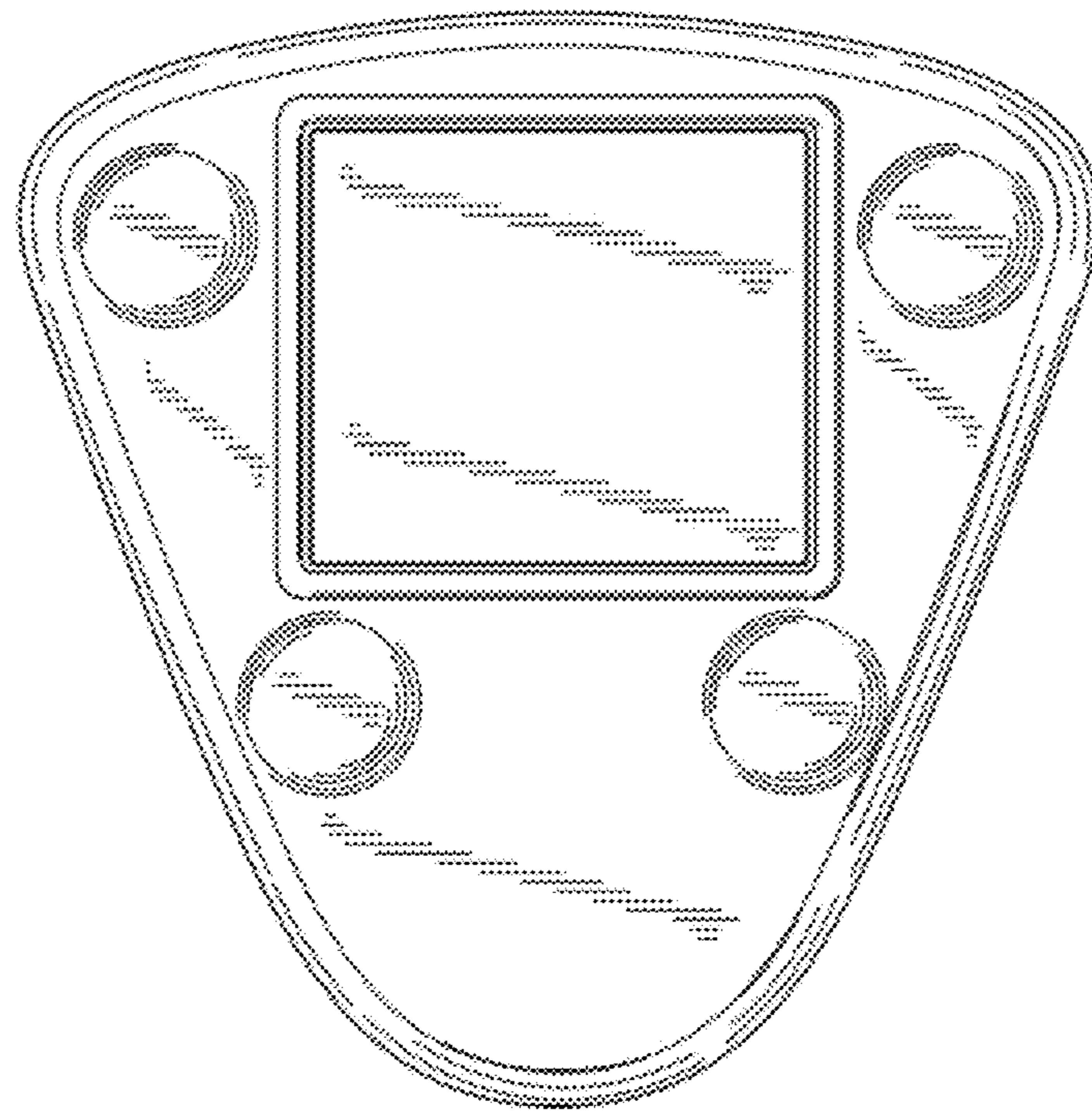


FIG. 3

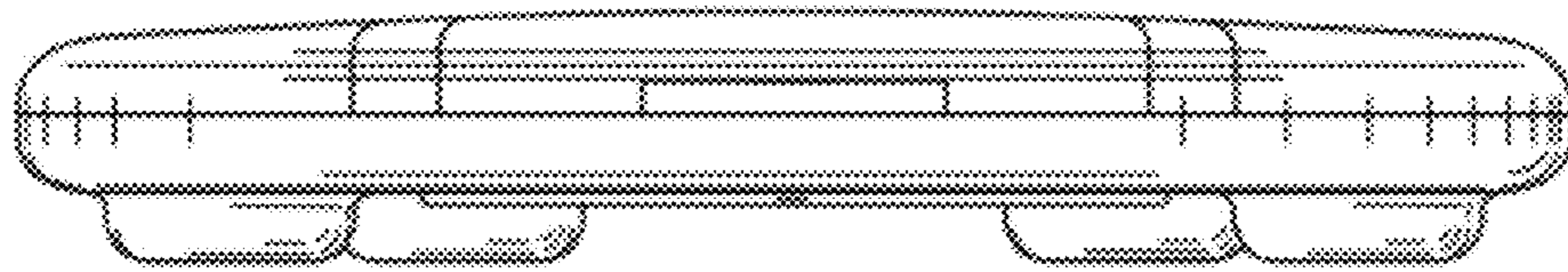


FIG. 4

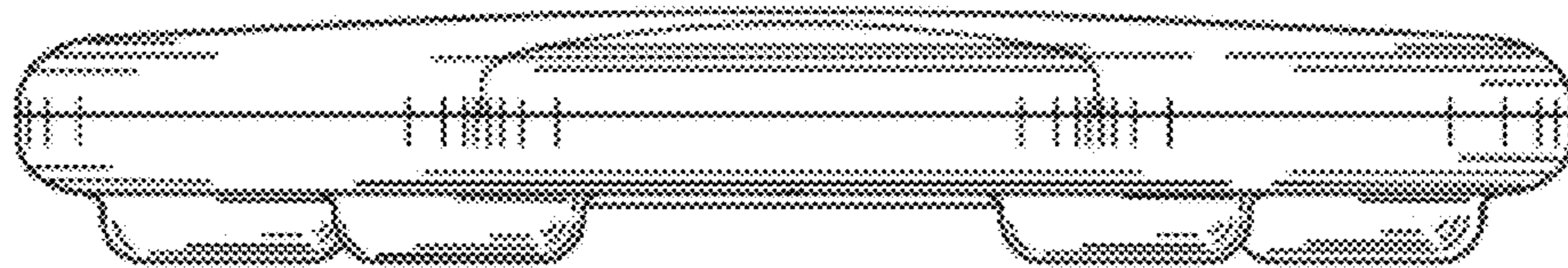


FIG. 5

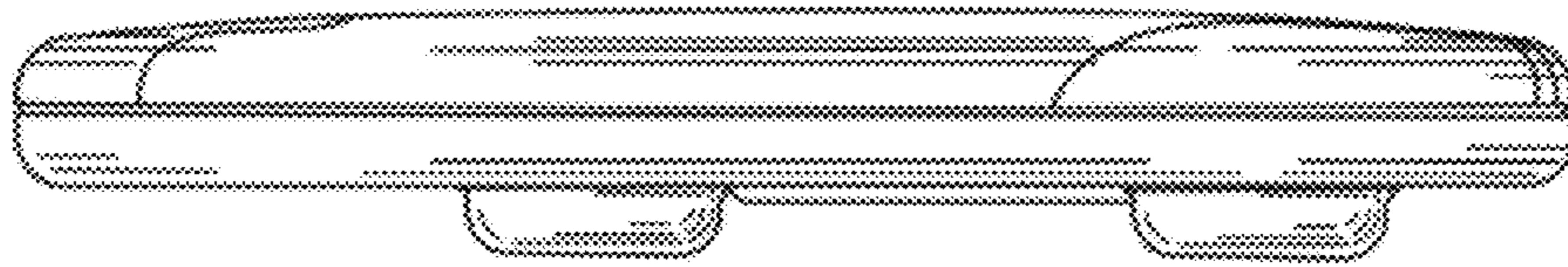


FIG. 6

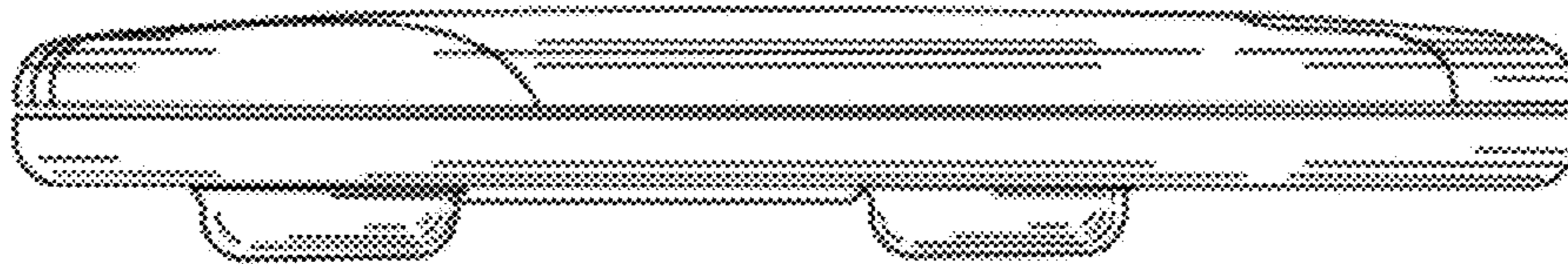


FIG. 7