



US00D669587S

(12) **United States Design Patent**
Mayer

(10) **Patent No.:** **US D669,587 S**

(45) **Date of Patent:** **** Oct. 23, 2012**

(54) **EXTERNAL LENS FOR CELL PHONES**

(75) **Inventor:** **Rudolf Felix Mayer**, Bad Griesbach (DE)

(73) **Assignee:** **FotoFinder Systems GmbH**, Bad Birnbach (DE)

(**) **Term:** **14 Years**

(21) **Appl. No.:** **29/369,292**

(22) **Filed:** **Sep. 6, 2010**

(51) **LOC (9) Cl.** **24-01**

(52) **U.S. Cl.** **D24/158; D14/250**

(58) **Field of Classification Search** D24/158-161, D24/185, 186, 137, 133; 378/4, 15, 17, 20, 378/21, 23-27, 62, 68, 146, 43, 210; D14/217, D14/240, 250; D16/218, 219, 220; 348/374
See application file for complete search history.

(56) **References Cited**

U.S. PATENT DOCUMENTS

D425,092 S *	5/2000	Eto et al.	D16/218
D448,785 S *	10/2001	Chou	D16/202
D449,628 S *	10/2001	Obata et al.	D16/218
D464,071 S *	10/2002	Liu	D16/218
D470,589 S *	2/2003	Choi et al.	D24/158
D471,927 S *	3/2003	Kim	D14/240

D492,997 S *	7/2004	DiStasio	D24/158
D516,601 S *	3/2006	Ishii	D16/218
D544,513 S *	6/2007	Hayashi	D16/218
D626,950 S *	11/2010	Roman	D14/240
2004/0203535 A1 *	10/2004	Kim et al.	455/90.3

* cited by examiner

Primary Examiner — Anhdao Doan

(74) *Attorney, Agent, or Firm* — Rothwell, Figg, Ernst & Manbeck, P.C.

(57) **CLAIM**

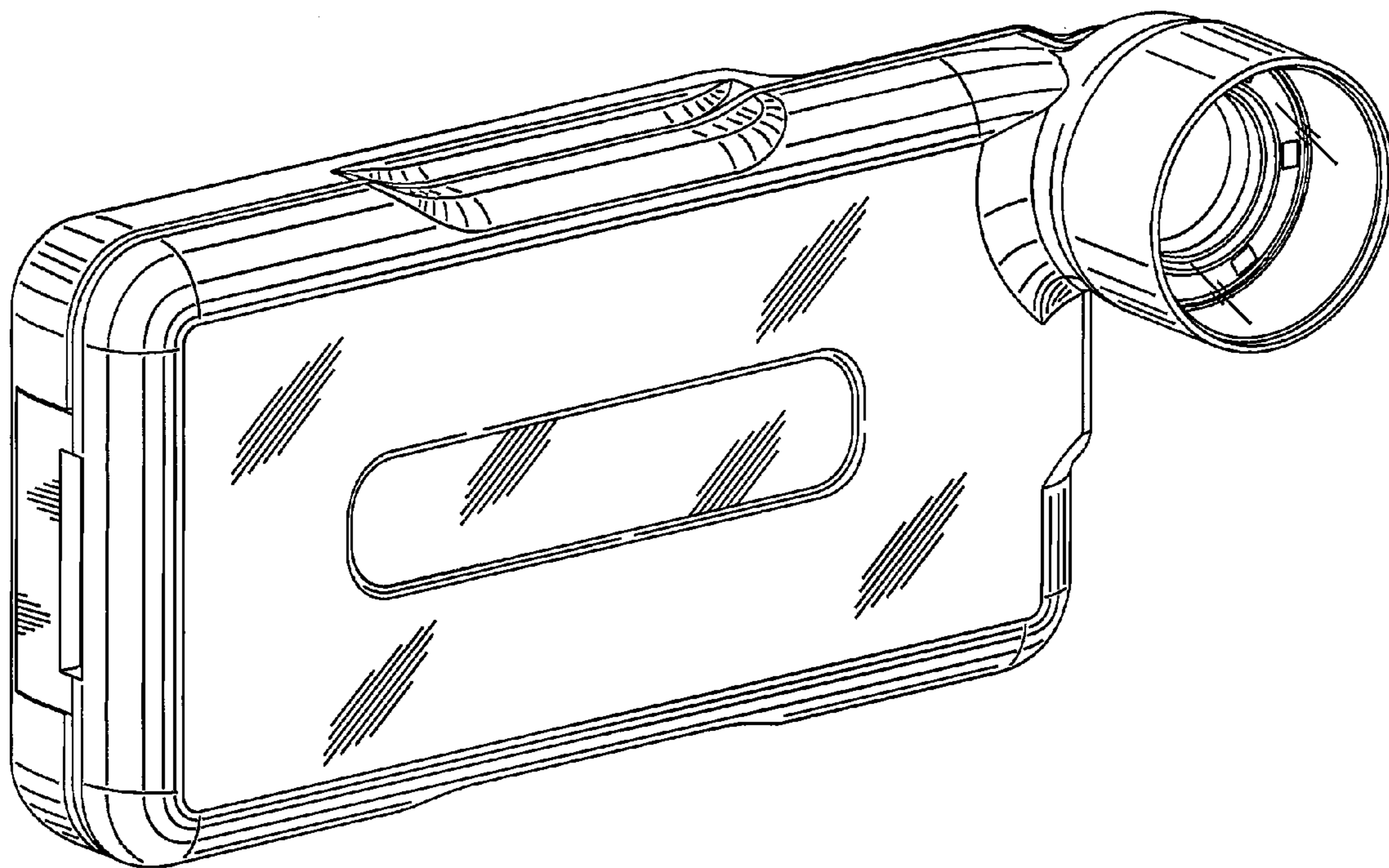
The ornamental design for an external lens for cell phones, as shown and described.

DESCRIPTION

FIG. 1 is a perspective view of the bottom side of an external lens for cell phones showing my design; FIG. 2 is a perspective view of the top side thereof; FIG. 3 is a bottom plan view thereof; FIG. 4 is a top plan view thereof; FIG. 5 is a rear elevational view thereof; FIG. 6 is a front elevational view thereof; FIG. 7 is a right elevational view thereof; and, FIG. 8 is a left elevational view thereof.

The broken lines in the drawing views are included for the purpose of illustrating portions of the external lens for cell phones that form no part of the claimed design.

1 Claim, 8 Drawing Sheets



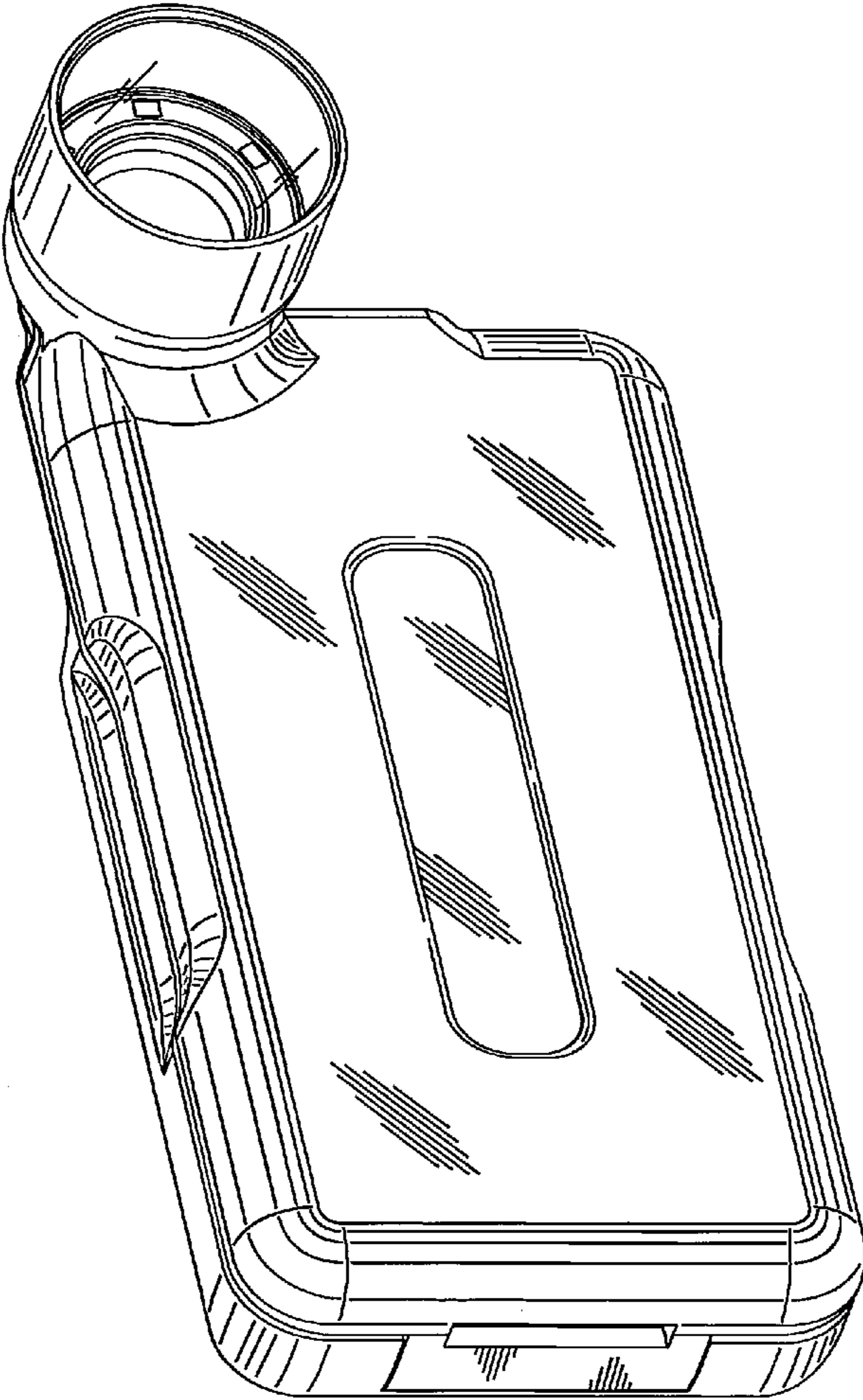


FIG. 1

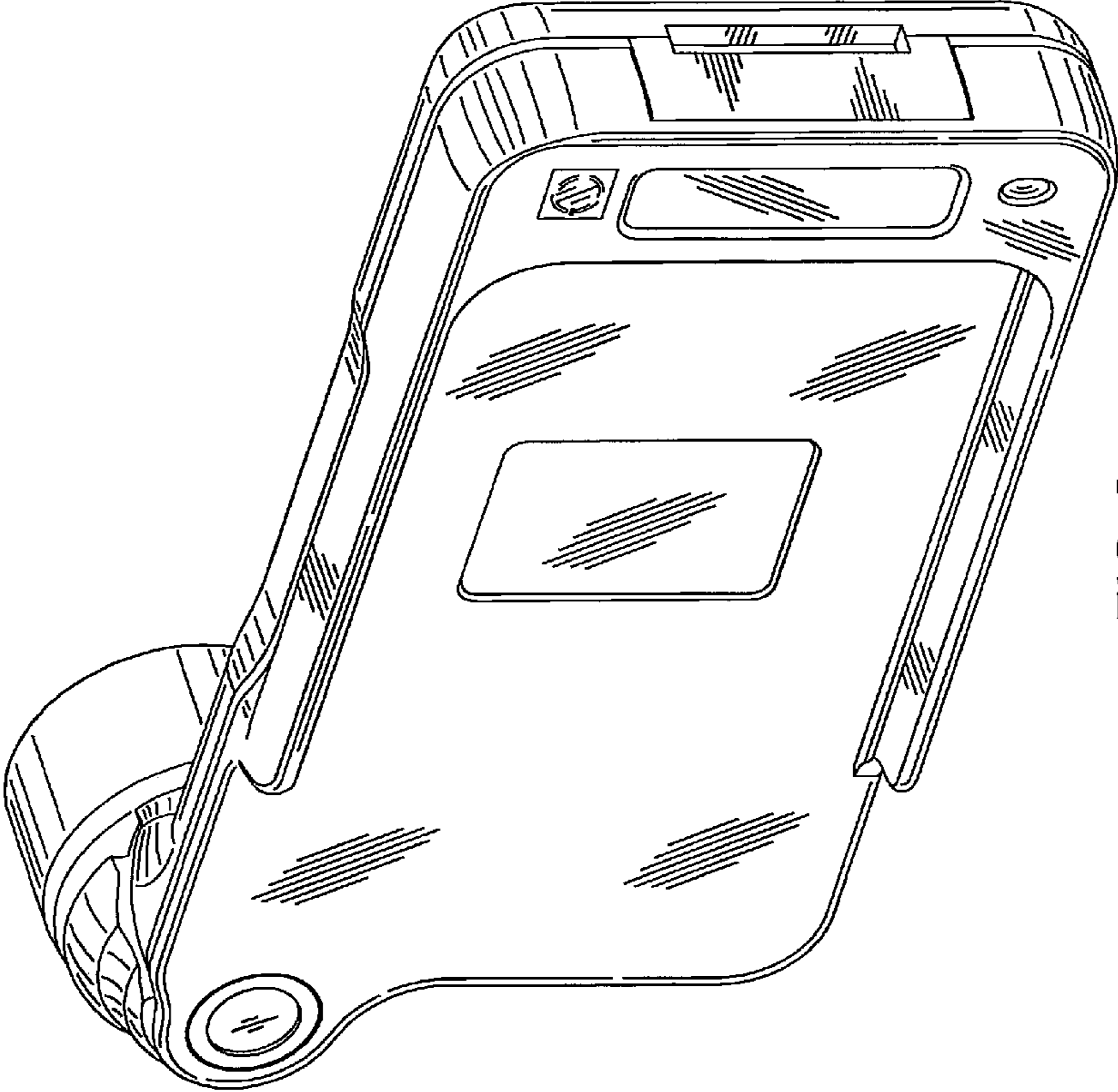


FIG. 2

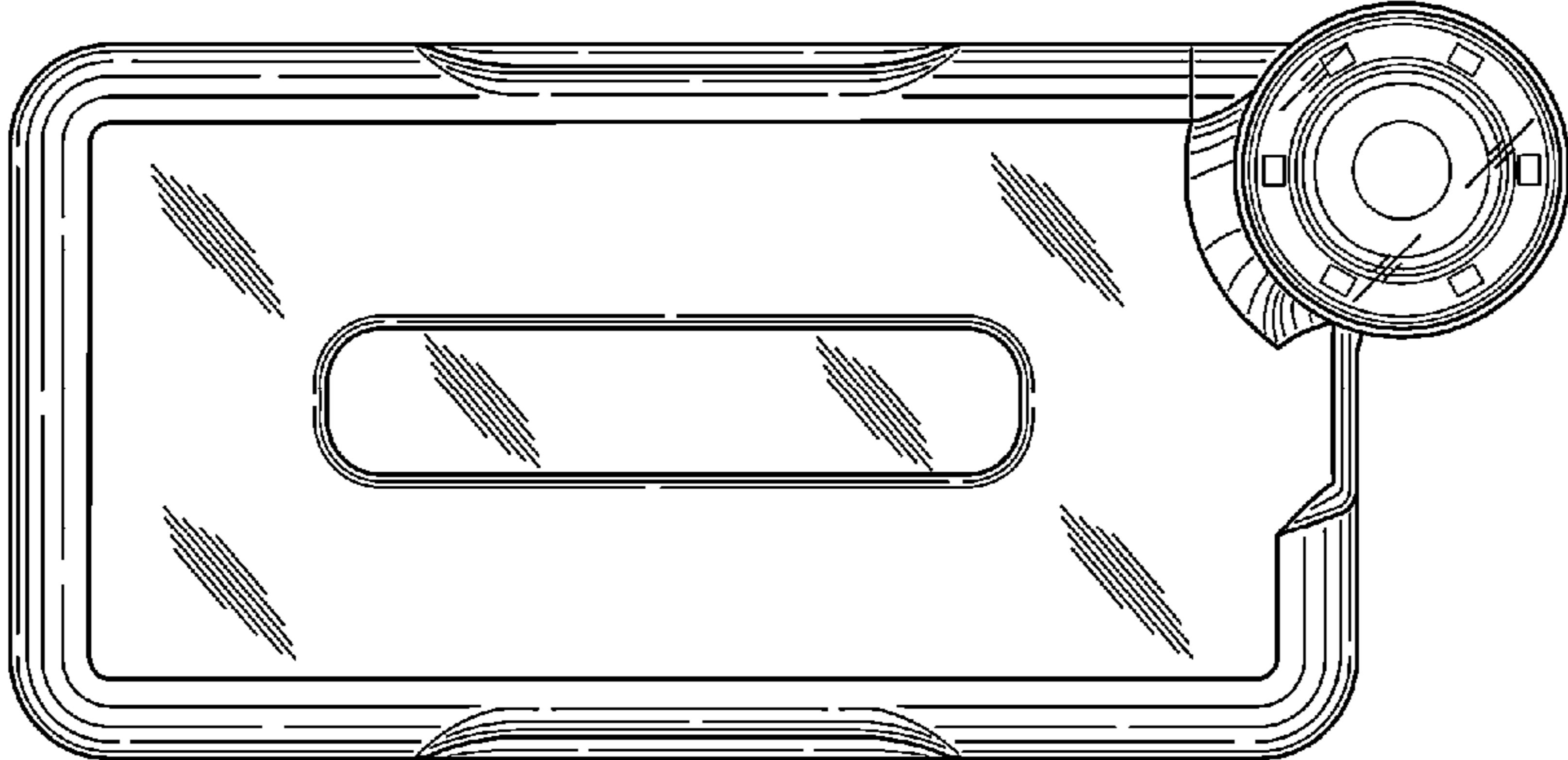


Fig. 3

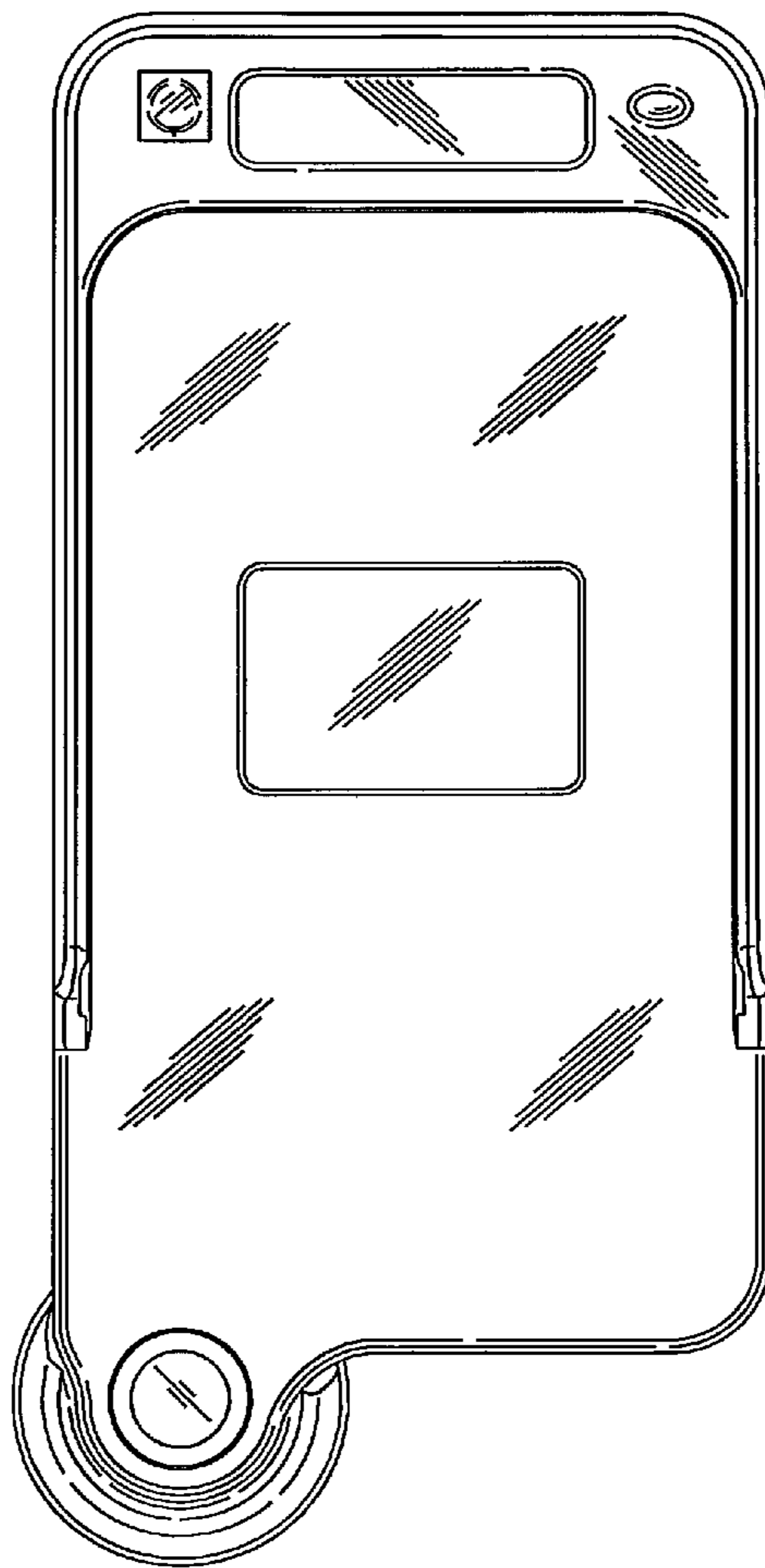


FIG. 4

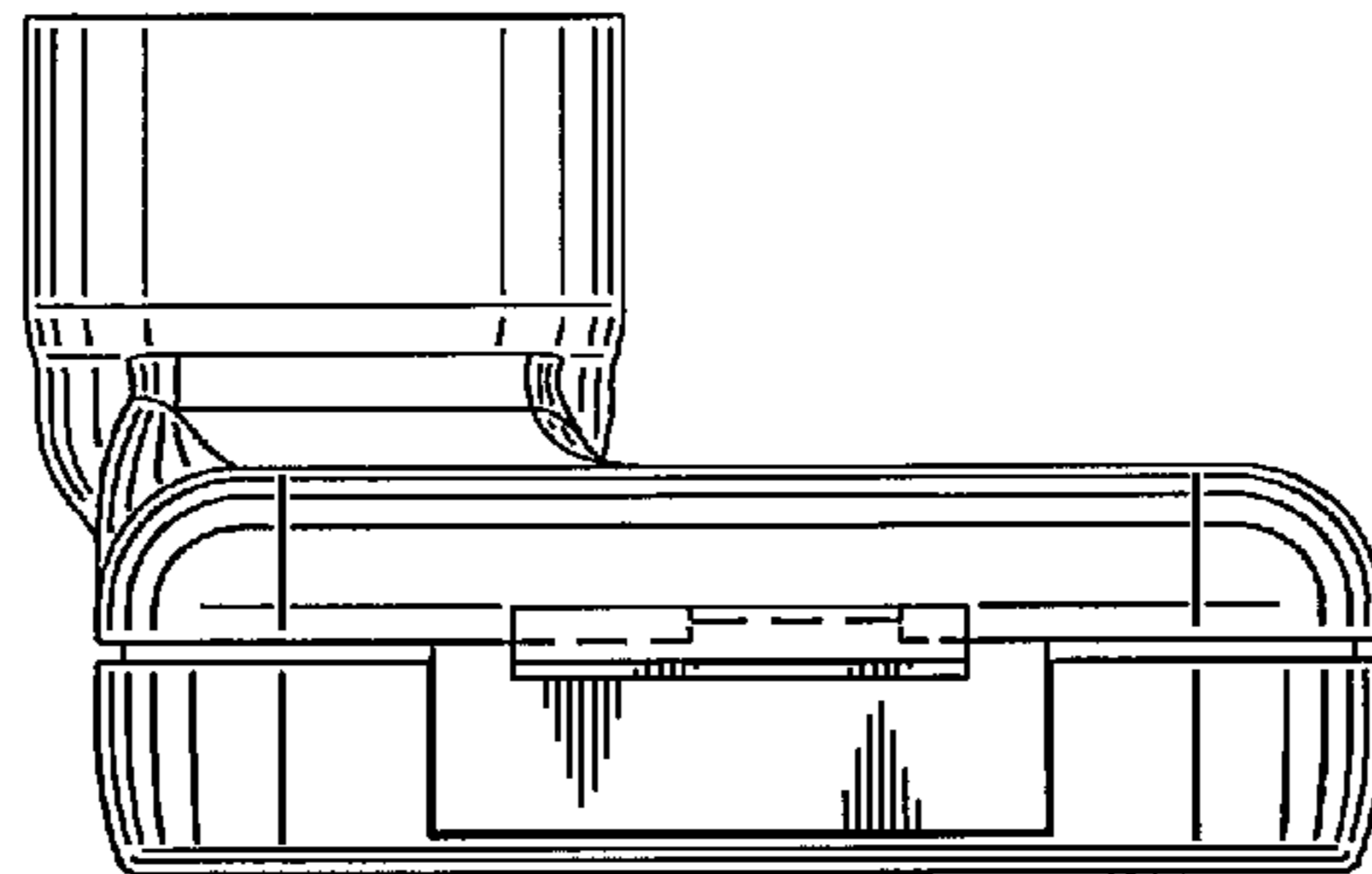


FIG. 5

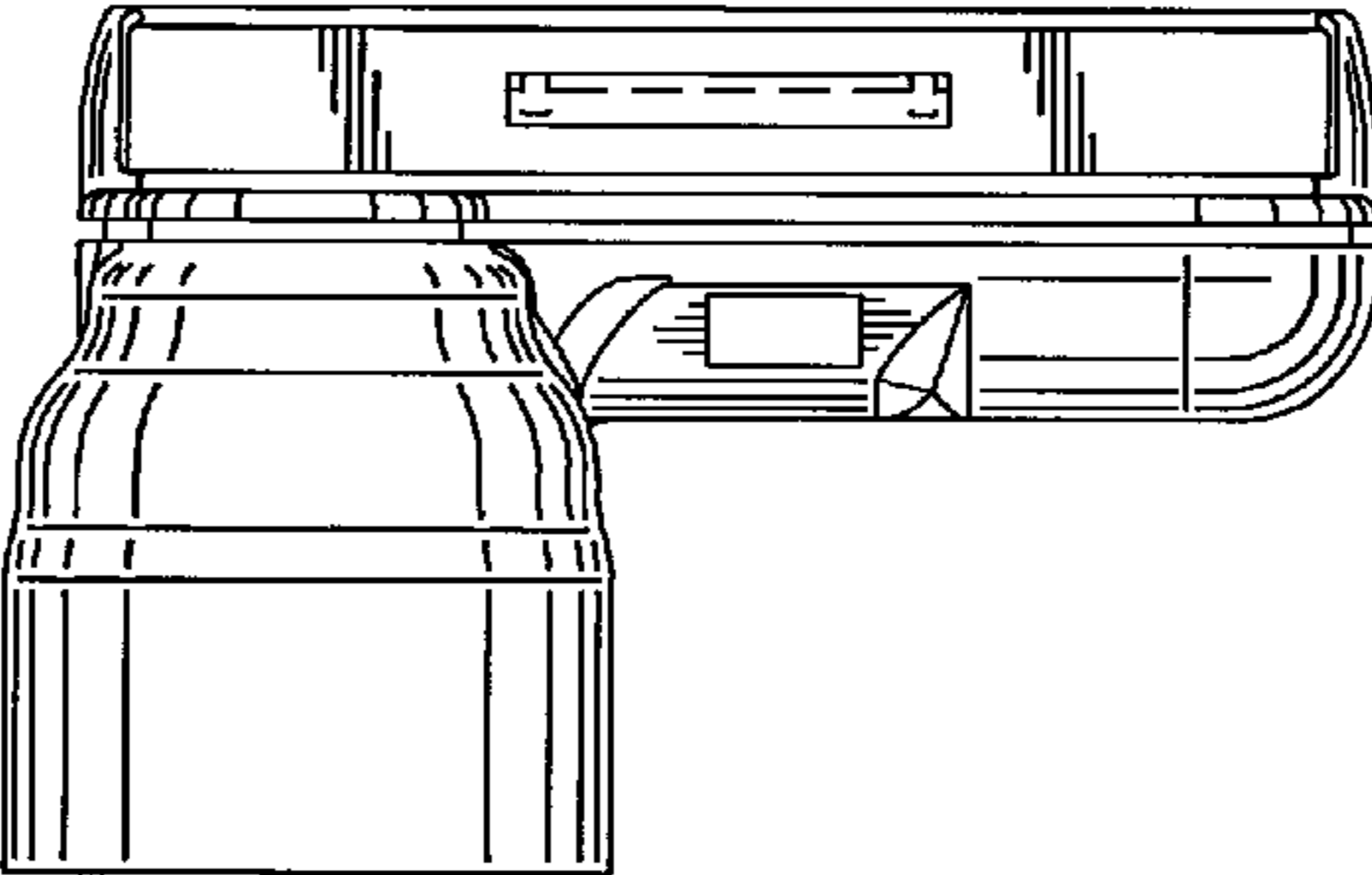


FIG.6

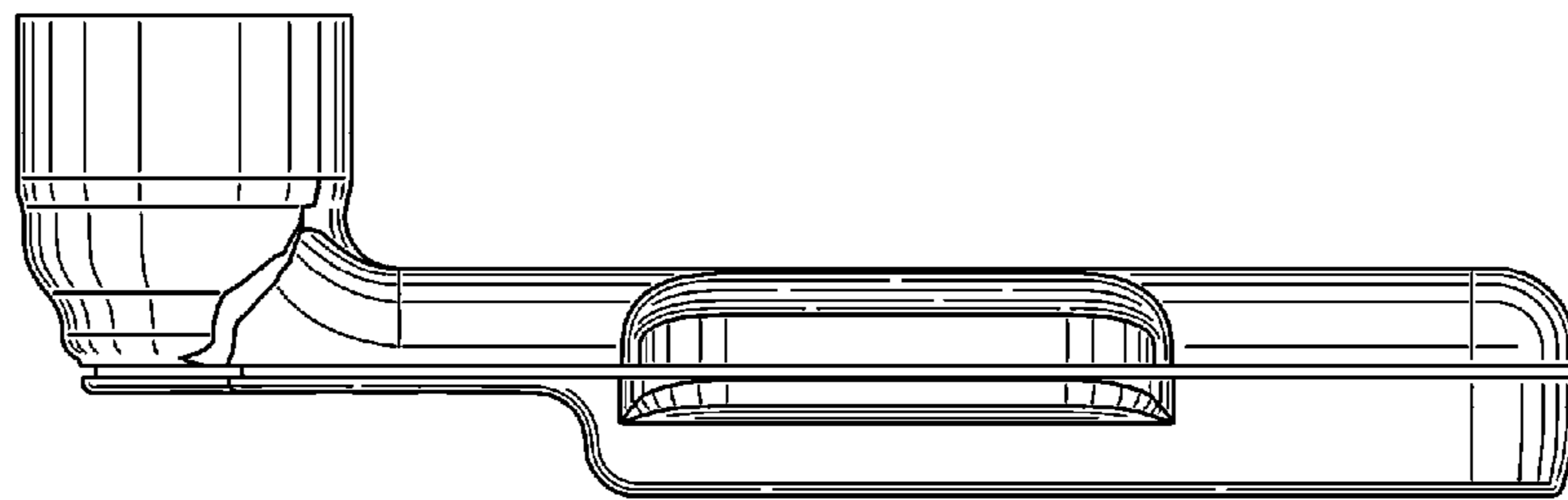


Fig. 7

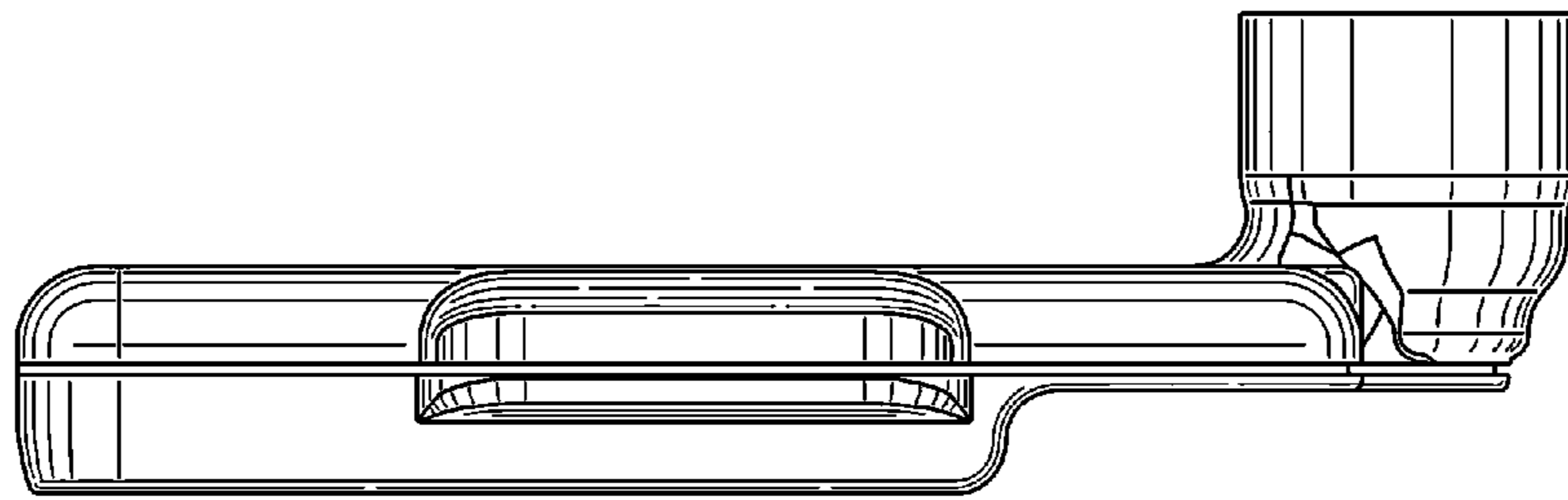


Fig. 8