



US00D669586S

(12) **United States Design Patent**
Meyer et al.

(10) **Patent No.:** **US D669,586 S**

(45) **Date of Patent:** **** Oct. 23, 2012**

(54) **OFFSET ROTATIONAL PROSTHETIC ADAPTOR**

(75) Inventors: **Robert B. Meyer**, Lewisburg, OH (US);
Wilbur N. Meyer, Brookville, OH (US)

(73) Assignee: **Bulldog Tools, Inc.**, Lewisburg, OH (US)

(**) Term: **14 Years**

(21) Appl. No.: **29/374,335**

(22) Filed: **Aug. 1, 2011**

(51) **LOC (9) Cl.** **24-02**

(52) **U.S. Cl.** **D24/155**

(58) **Field of Classification Search** D24/155,
D24/156, 133, 152, 154, 135, 144-146, 151;
606/194, 198, 281, 291; 623/23.54, 23.7,
623/1.15, 903, 53, 55; 604/1.02, 103.02

See application file for complete search history.

(56) **References Cited**

U.S. PATENT DOCUMENTS

6,030,219	A *	2/2000	Zuest et al.	433/181
D475,786	S *	6/2003	Lund	D24/155
D493,534	S *	7/2004	Meyer et al.	D24/155
6,991,658	B2	1/2006	Slemker et al.	
D646,786	S *	10/2011	Anitua Aldecoa	D24/156

* cited by examiner

Primary Examiner — Ian Simmons

Assistant Examiner — Charles Hanson

(74) *Attorney, Agent, or Firm* — Jacox, Meckstroth & Jenkins

(57) **CLAIM**

The ornamental design of an offset rotational prosthetic adaptor, as shown and described.

DESCRIPTION

FIG. 1 is a perspective view of an offset rotational prosthetic adaptor and showing our new design;
FIG. 2 is top view thereof;
FIG. 3 is a side view thereof;
FIG. 4 is an opposite side view thereof;
FIG. 5 is an end view thereof; and,
FIG. 6 is an opposite end view thereof.

1 Claim, 2 Drawing Sheets

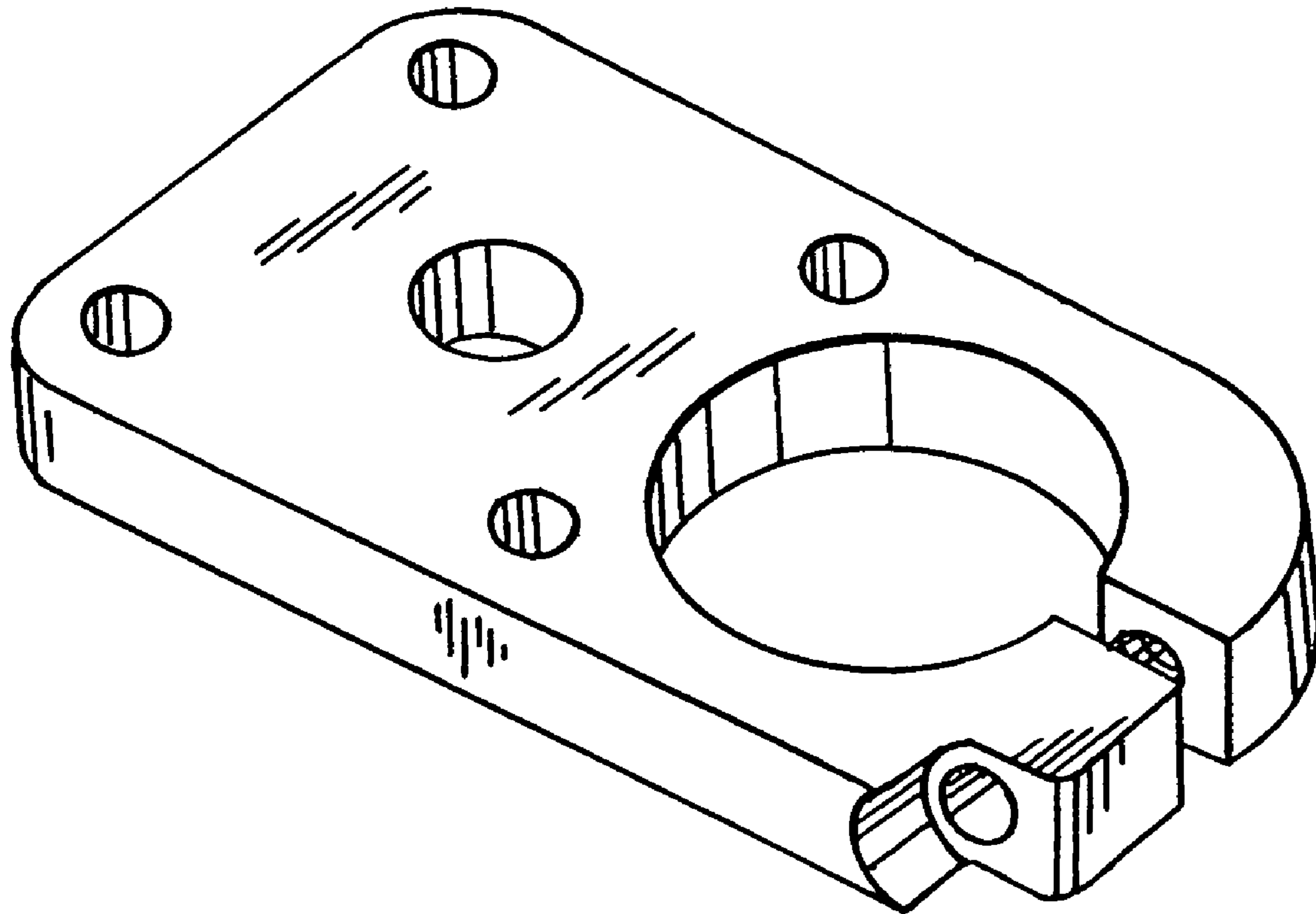


FIG. 1

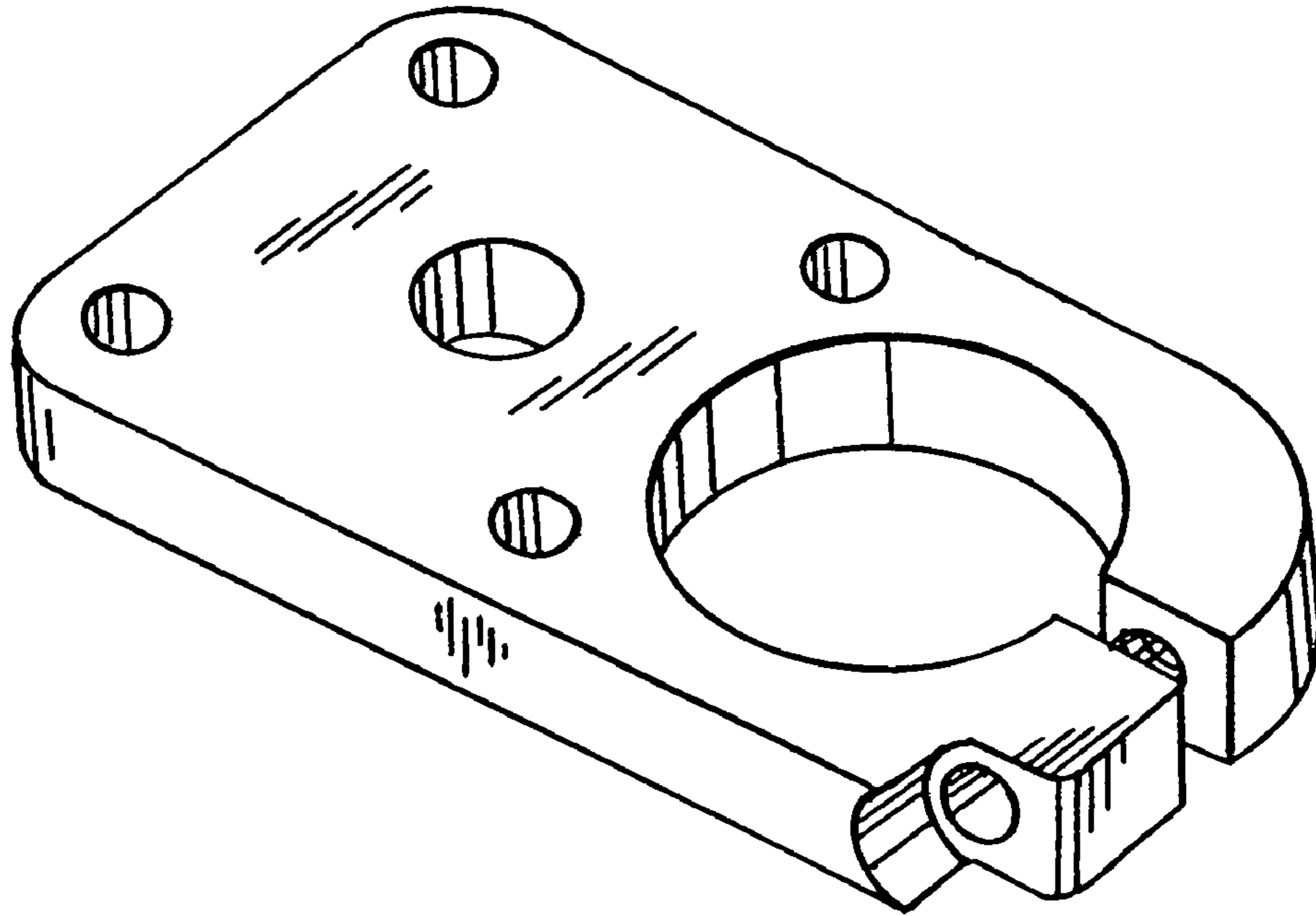


FIG. 2

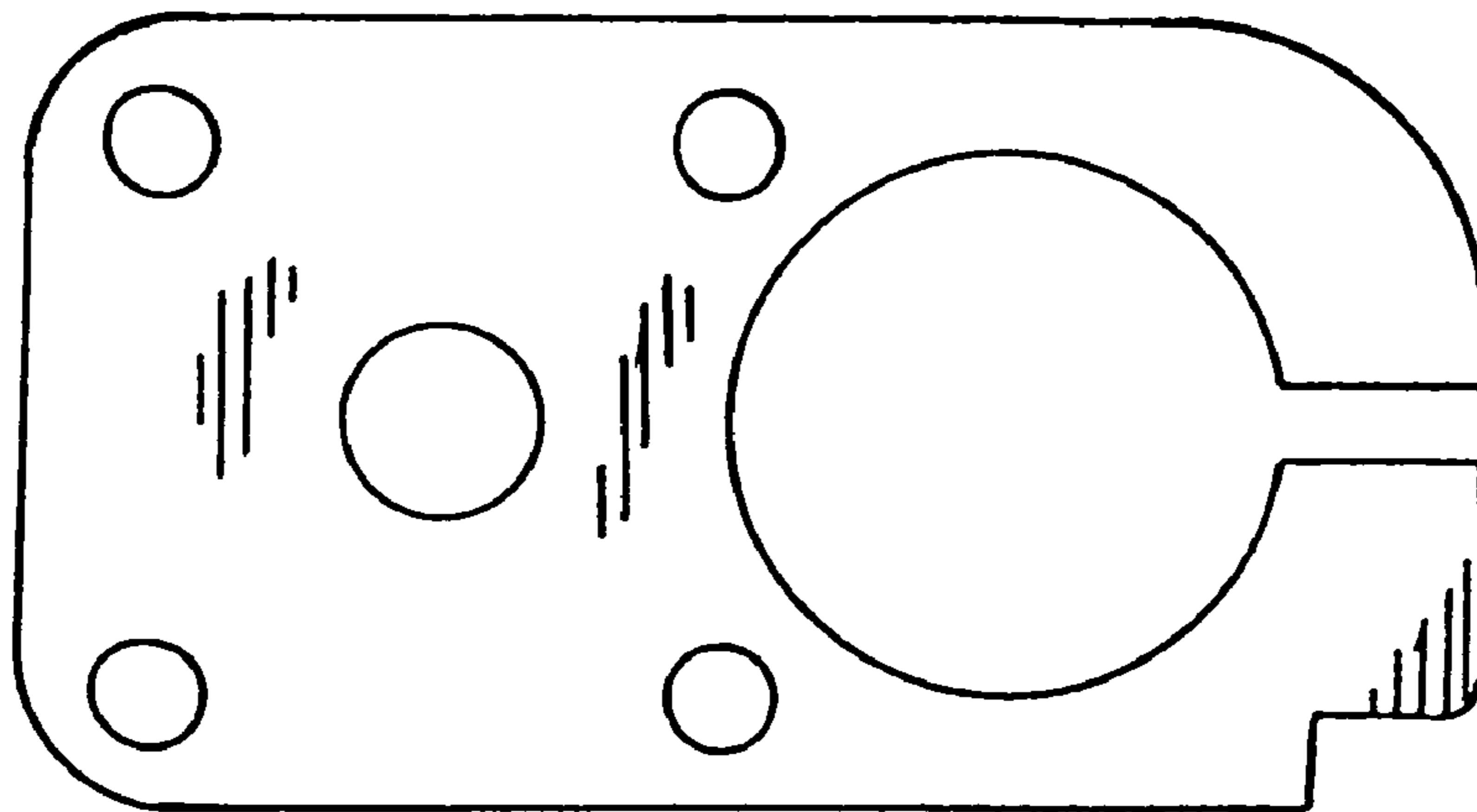


FIG. 3



FIG. 4



FIG. 5

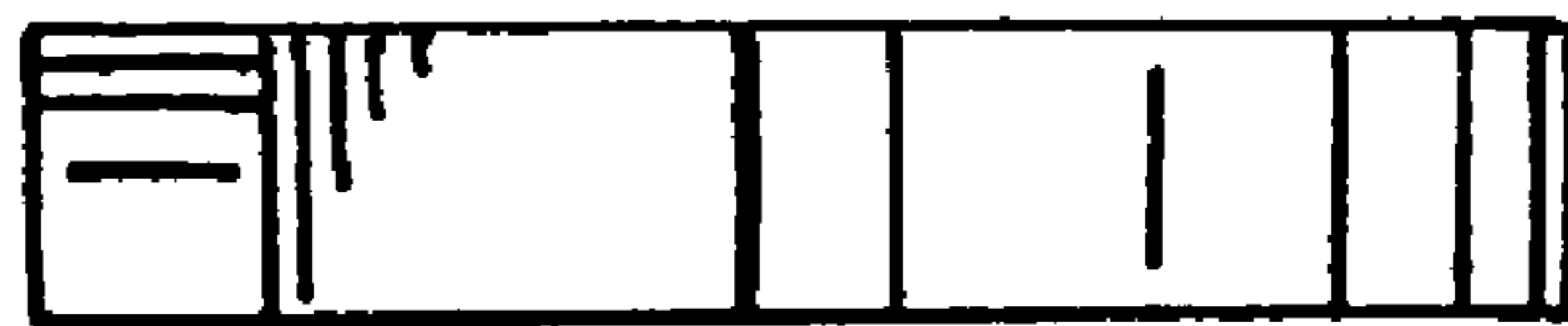


FIG. 6

