

US00D669585S

(12) **United States Design Patent**
Bourque

(10) **Patent No.:** **US D669,585 S**

(45) **Date of Patent:** **** Oct. 23, 2012**

(54) **IMPLANTABLE BLOOD PUMP**

(75) Inventor: **Kevin Bourque**, Reading, MA (US)

(73) Assignee: **Thoratec Corporation**, Pleasanton, CA (US)

(**) Term: **14 Years**

(21) Appl. No.: **29/368,272**

(22) Filed: **Aug. 20, 2010**

(51) **LOC (9) Cl.** **24-03**

(52) **U.S. Cl.** **D24/155**

(58) **Field of Classification Search** D24/155,
D24/156, 133, 152, 154, 135, 141, 144-146,
D24/151; 606/194, 198; 623/23.54, 23.7,
623/1.16, 903, 1.29, 3.26, 3.14; 604/1.02,
604/103.02; 128/204.18; 600/16, 17; 417/410.1,
417/423.12, 423.7

See application file for complete search history.

(56) **References Cited**

U.S. PATENT DOCUMENTS

4,688,998	A	8/1987	Olsen et al.	
5,055,005	A	10/1991	Kletschka	
5,174,726	A	12/1992	Findlay	
5,195,877	A	3/1993	Kletschka	
5,385,581	A *	1/1995	Bramm et al.	623/3.14
5,470,208	A	11/1995	Kletschka	
5,708,346	A	1/1998	Schob	
5,798,454	A	8/1998	Nakazeki et al.	
5,941,813	A	8/1999	Sievers et al.	
6,053,705	A	4/2000	Schob et al.	
6,080,133	A	6/2000	Wampler	
6,100,618	A	8/2000	Schoeb et al.	
6,162,167	A	12/2000	Goldstein et al.	
6,201,329	B1	3/2001	Chen	
6,302,661	B1	10/2001	Khanwilkar et al.	
6,351,048	B1	2/2002	Schob et al.	
6,394,769	B1 *	5/2002	Bearnson et al.	417/423.7
6,595,762	B2	7/2003	Khanwilkar et al.	
6,623,475	B1 *	9/2003	Siess	604/891.1
6,723,039	B2	4/2004	French et al.	
6,991,595	B2	1/2006	Burke et al.	
7,338,521	B2 *	3/2008	Antaki et al.	623/3.26
7,462,019	B1	12/2008	Allarie et al.	
7,578,782	B2 *	8/2009	Miles et al.	600/16
7,861,582	B2 *	1/2011	Miyakoshi et al.	73/168

2005/0004421 A1* 1/2005 Pacella et al. 600/16
(Continued)

FOREIGN PATENT DOCUMENTS

CN 300837668 10/2008
WO WO2007040663 A1 4/2007

OTHER PUBLICATIONS

A New Innovation in Mechanical Circulatory Support for Patients with Advanced Heart Failure, HeartWare® Ventricular Assist System, 2010, 6 pages.

(Continued)

Primary Examiner — Ian Simmons

Assistant Examiner — Charles Hanson

(74) *Attorney, Agent, or Firm* — Fish & Richardson P.C.

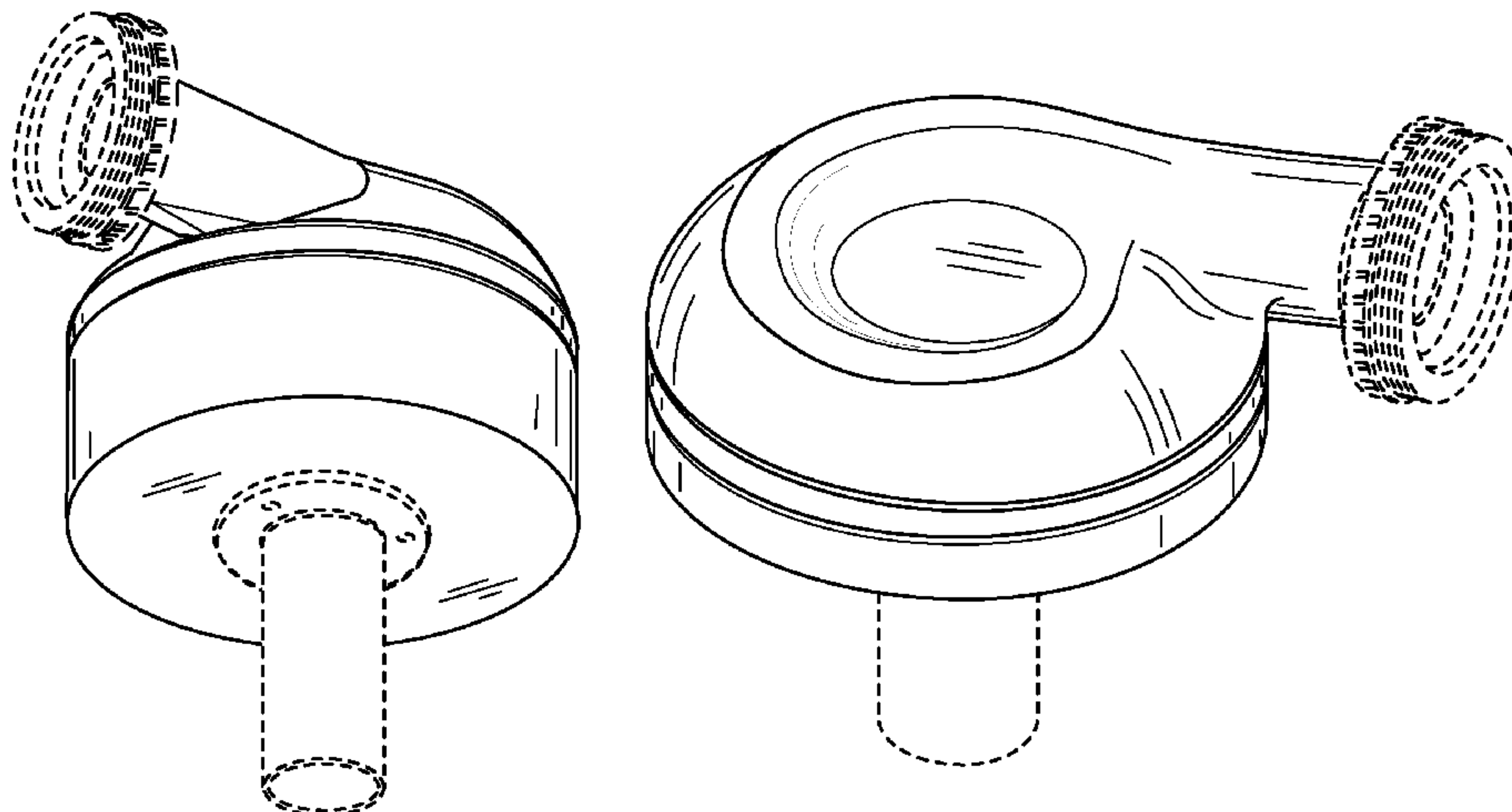
(57) **CLAIM**

The ornamental design for an implantable blood pump, as shown and described.

DESCRIPTION

FIG. 1 is a perspective view of an implantable blood pump showing my new design;
FIG. 2 is another perspective view thereof;
FIG. 3 is a front view thereof;
FIG. 4 is a rear view thereof;
FIG. 5 is a right side view thereof;
FIG. 6 is a left side view thereof;
FIG. 7 is a top view thereof;
FIG. 8 is a bottom view thereof;
FIG. 9 is a perspective view of a second embodiment thereof;
FIG. 10 is another perspective view thereof;
FIG. 11 is a front view thereof;
FIG. 12 is a rear view thereof;
FIG. 13 is a right side view thereof;
FIG. 14 is a left side view thereof;
FIG. 15 is a top view thereof; and,
FIG. 16 is a bottom view thereof.
The broken lines which define the bounds of the claimed design form no part thereof.

1 Claim, 8 Drawing Sheets



U.S. PATENT DOCUMENTS

2005/0147512	A1 *	7/2005	Chen et al.	417/423.12
2007/0231135	A1	10/2007	Wampler et al.	
2008/0021394	A1	1/2008	LaRose et al.	
2008/0310963	A1	12/2008	Wampler et al.	
2009/0143635	A1	6/2009	Benkowski et al.	
2009/0234447	A1	9/2009	LaRose et al.	
2010/0150749	A1 *	6/2010	Horvath	417/410.1
2010/0152526	A1 *	6/2010	Pacella et al.	600/17
2010/0221130	A1	9/2010	Yaegashi et al.	
2011/0054239	A1 *	3/2011	Sutton et al.	600/16

OTHER PUBLICATIONS

Levacor™VAD, A Next-Generation Rotary VAD Designed to Provide Life-Saving Therapy for Congestive Heart Failure Patients, WorldHeart Technology for Life, Rev. Aug. 2007, 2 pages.

Handled with Care, Significantly Reduce the Risk of Cell Damage, DuraHeart, TERUMO Implantable LVAS, printed in USA © Apr. 2010, 2 pages.

VentrAssist™LVAD, 2008. Retrieved from the Internet: <http://www.pharmapal.com/pharmapal/cardsrg3.html>, 1 page.

“European VAD Pump Sizes”, Heart Assist5, Micromed Cardiovascular Inc., 2008. Retrieved from the Internet: <http://www.micromedcv.com/european/heart-assist-5/smallest-lightest.html>, 3 pages.

U.S. Notice of Allowance for U.S. Appl. No. 29/390,200 dated Oct. 11, 2011, 12 pages.

U.S. Notice of Allowance for U.S. Appl. No. 29/391,080 dated Oct. 12, 2011, 12 pages.

“Design of a bearingless blood pump,” in Proc.3rd Int. Symp. on Magnetic Suspension Technology, Tallahassee, FL, 1995, pp. 265-274. (23 pages).

* cited by examiner

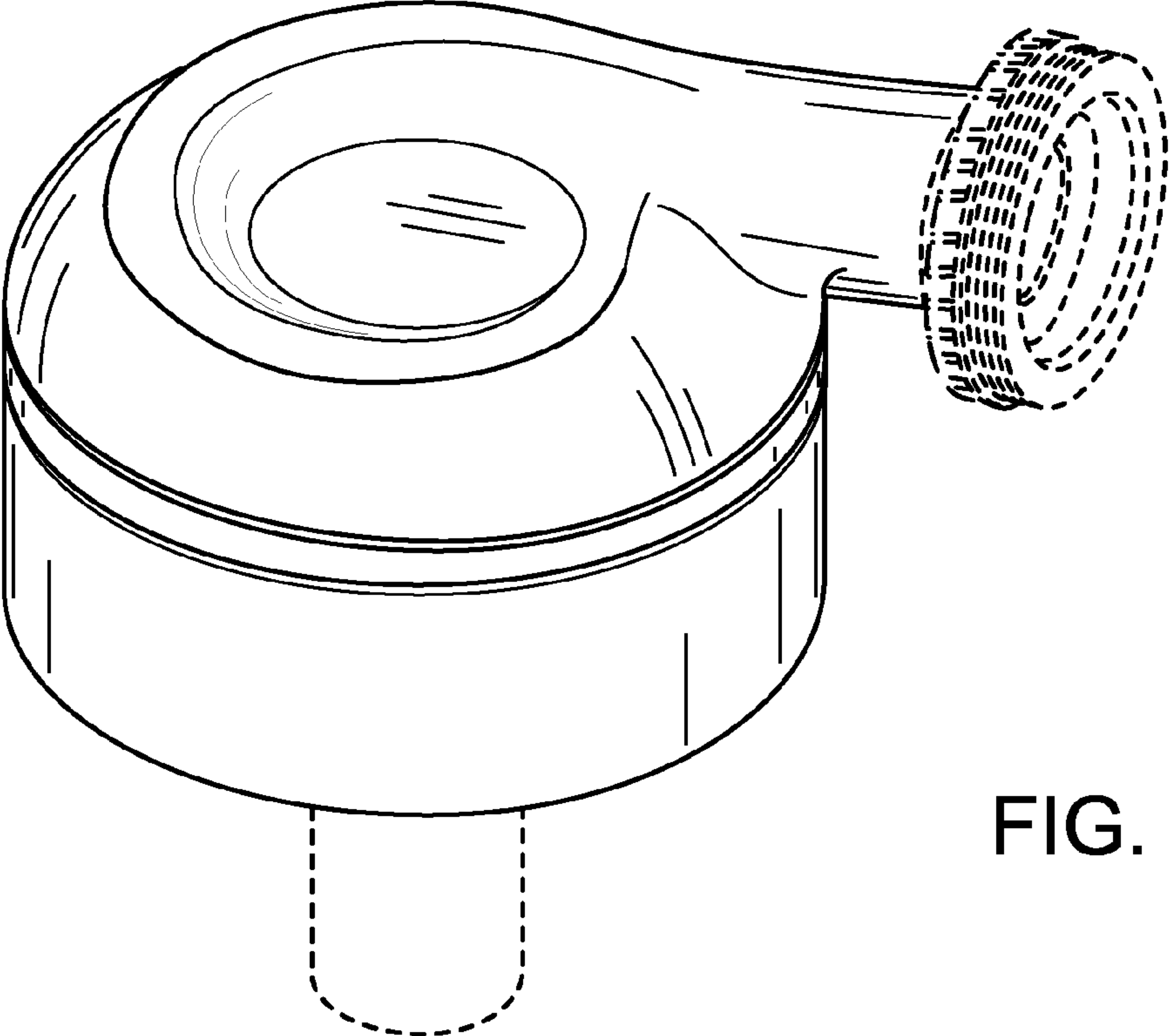


FIG. 2

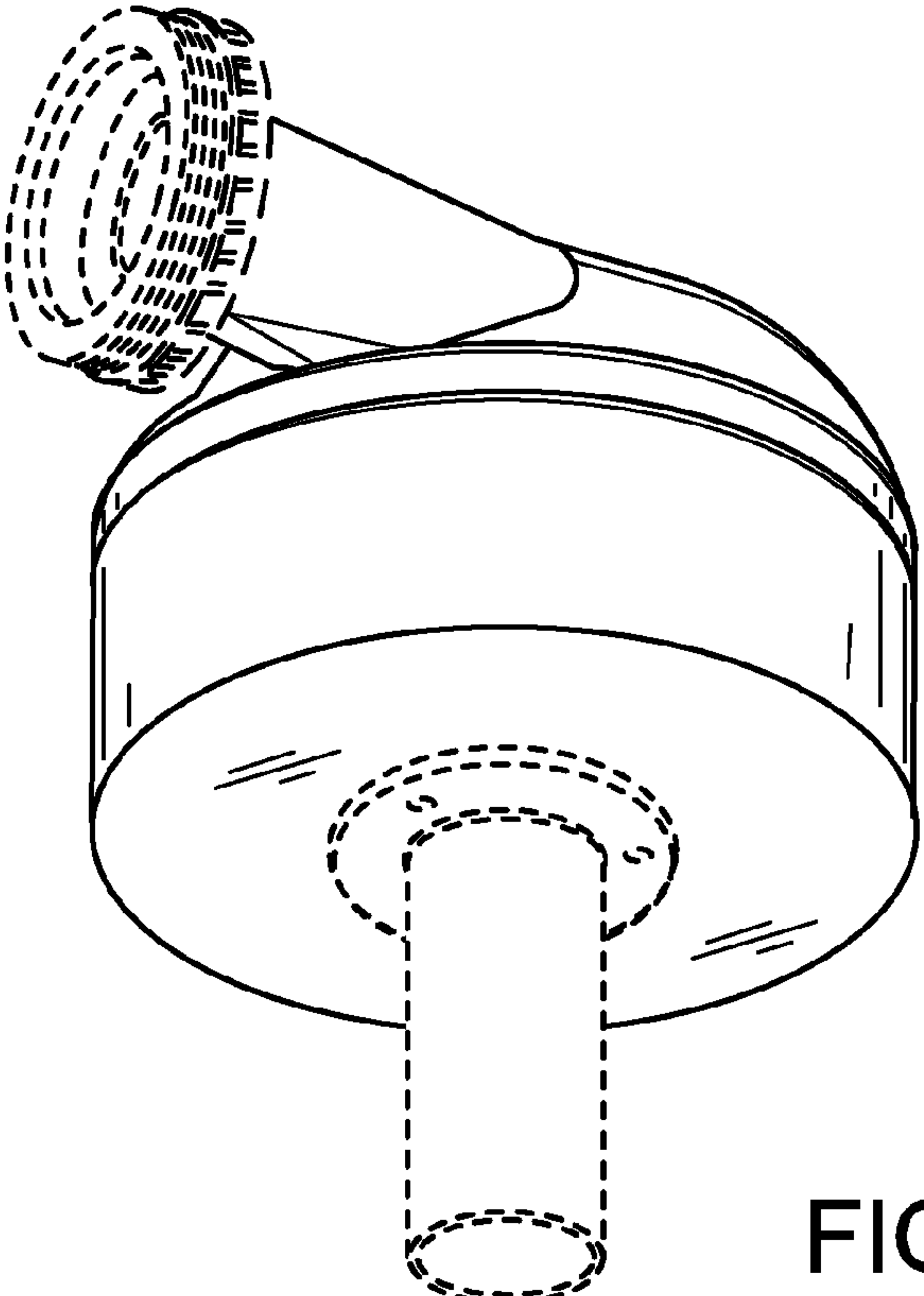


FIG. 1

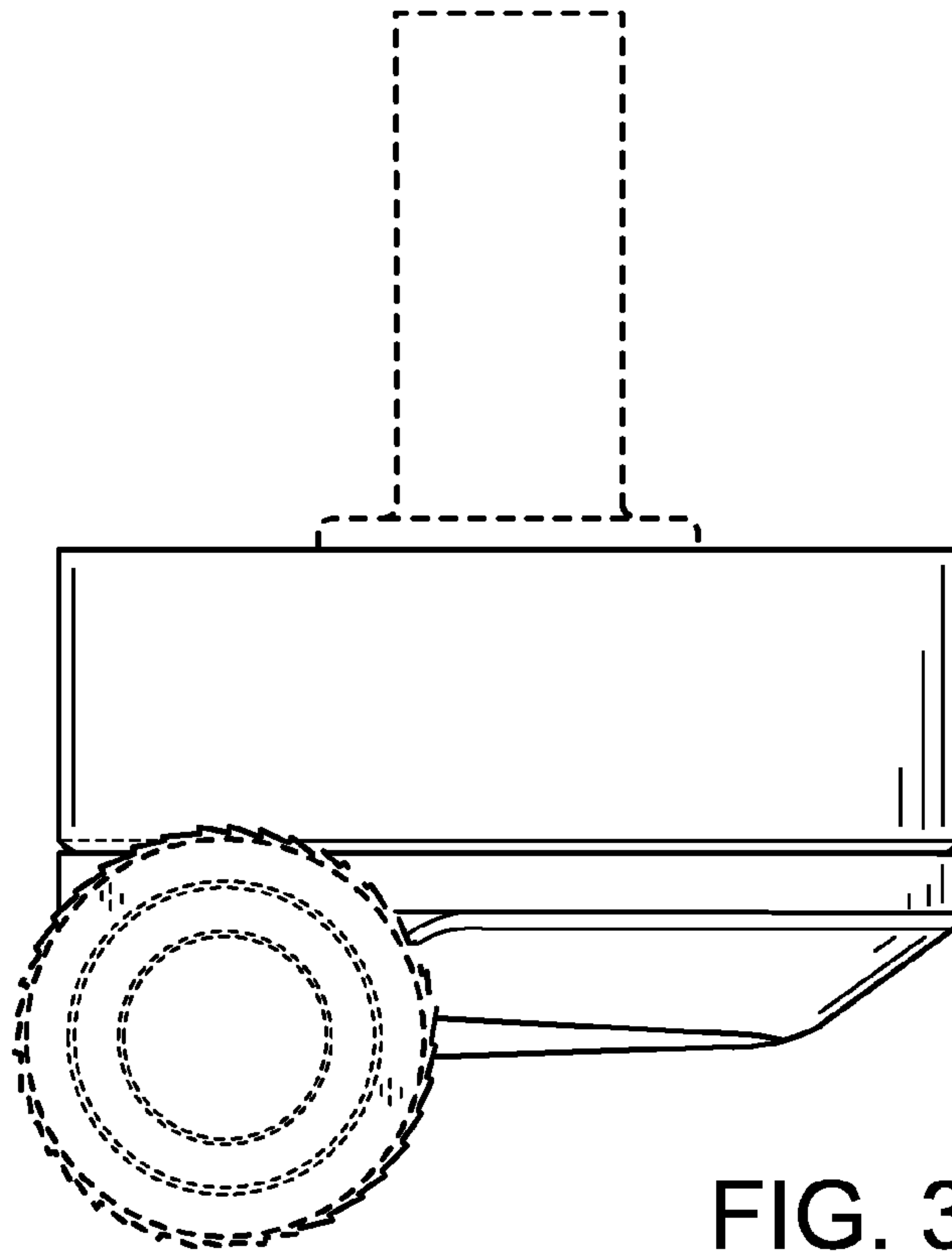


FIG. 3

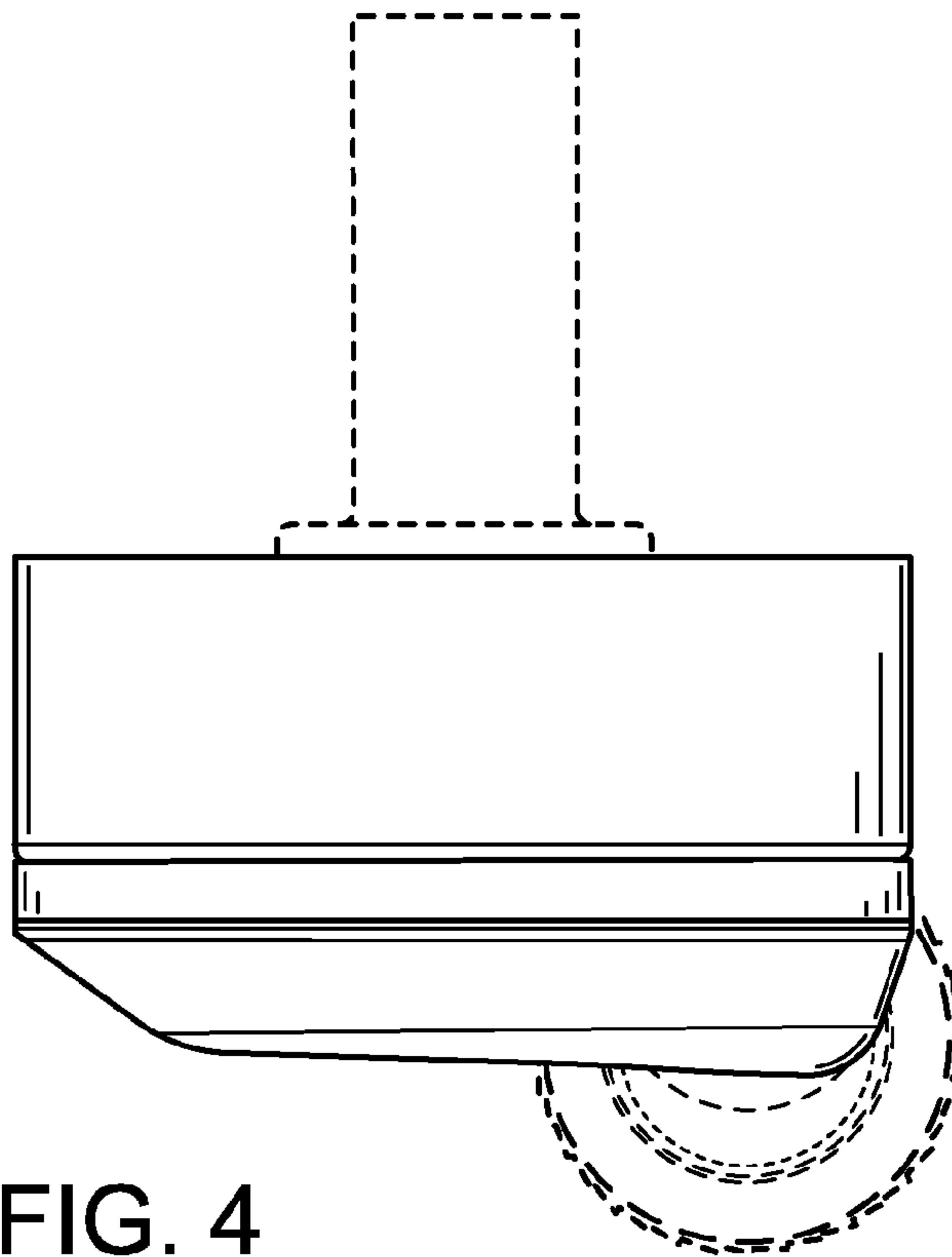


FIG. 4

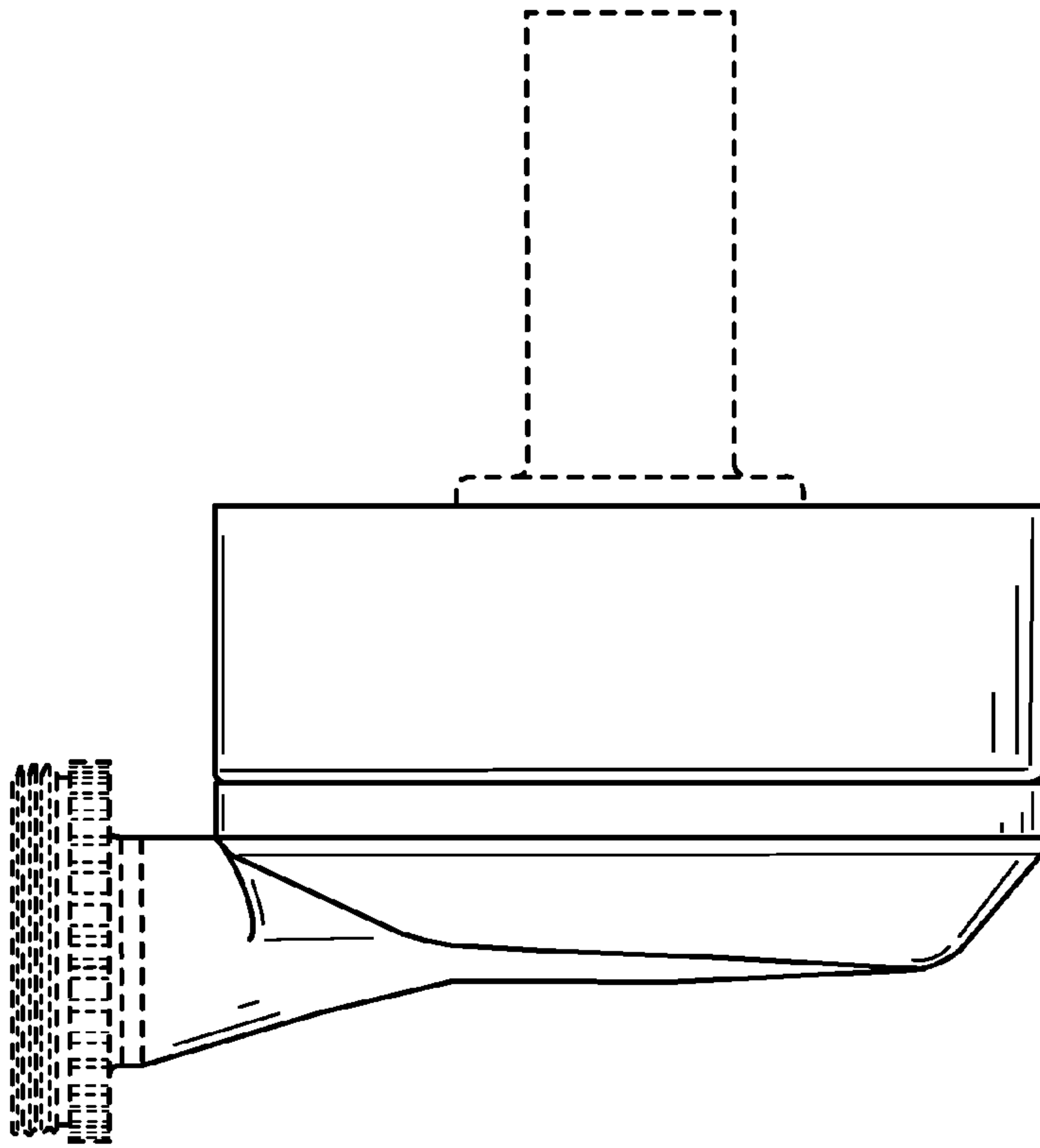


FIG. 5

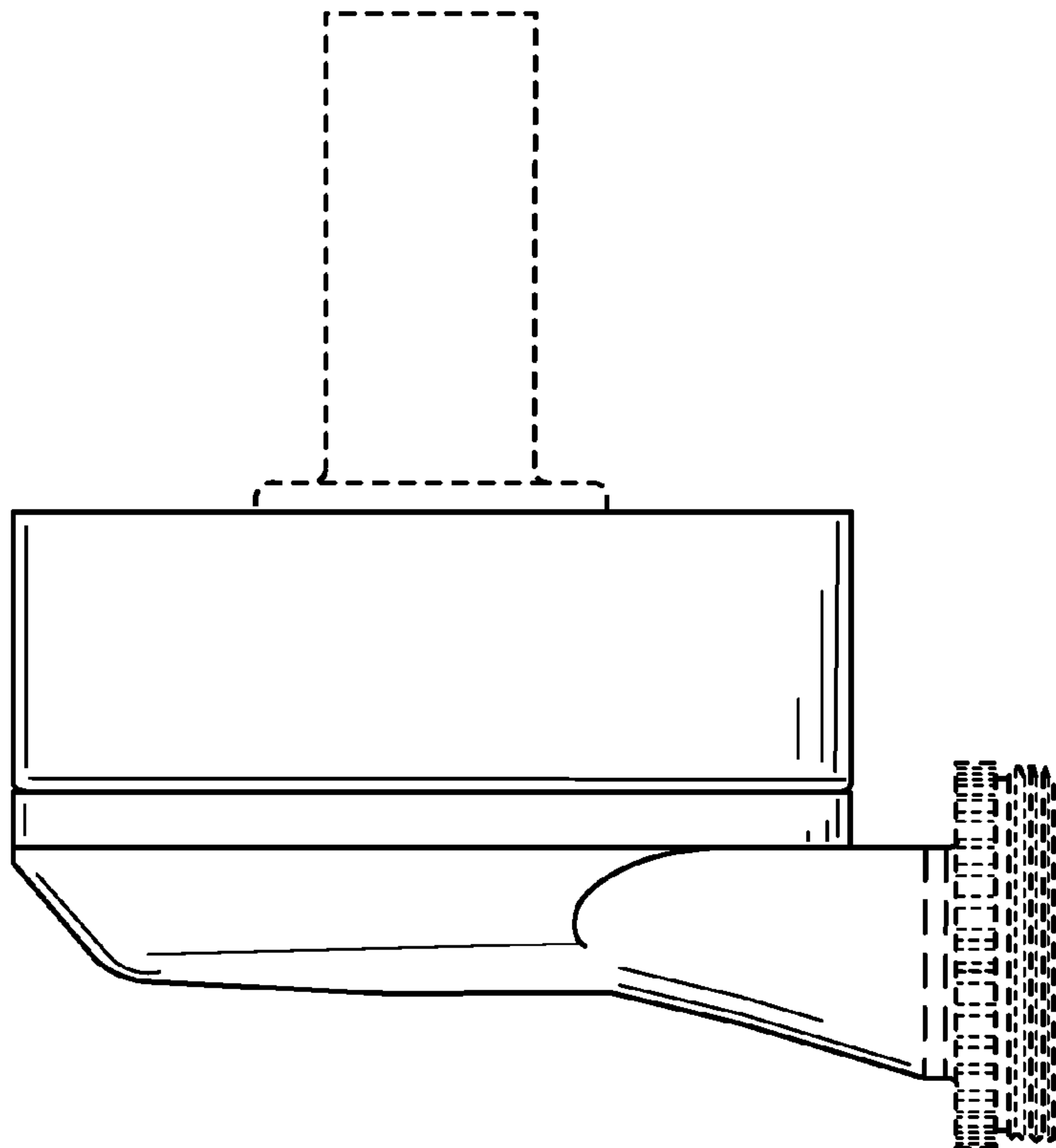


FIG. 6

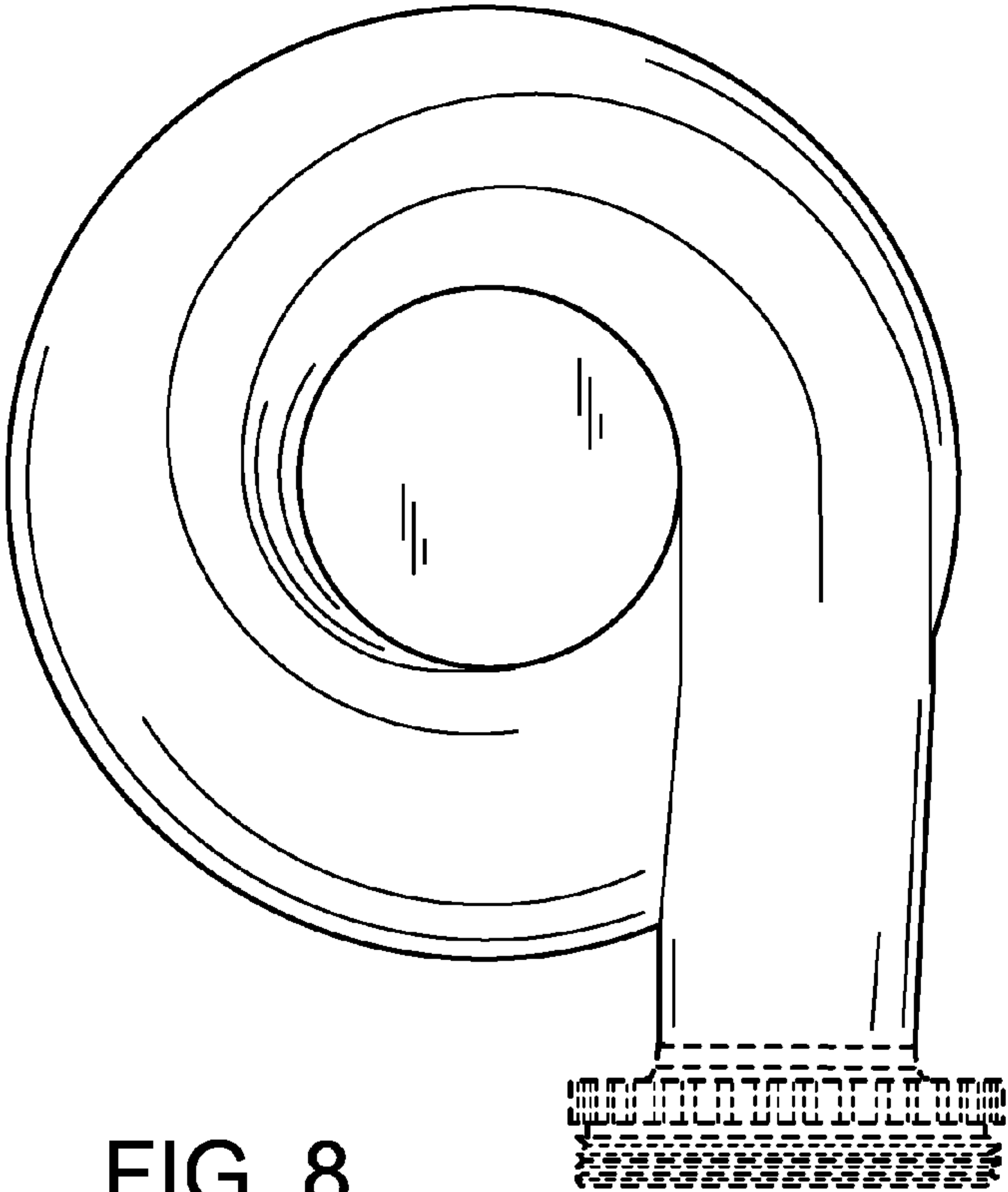


FIG. 8

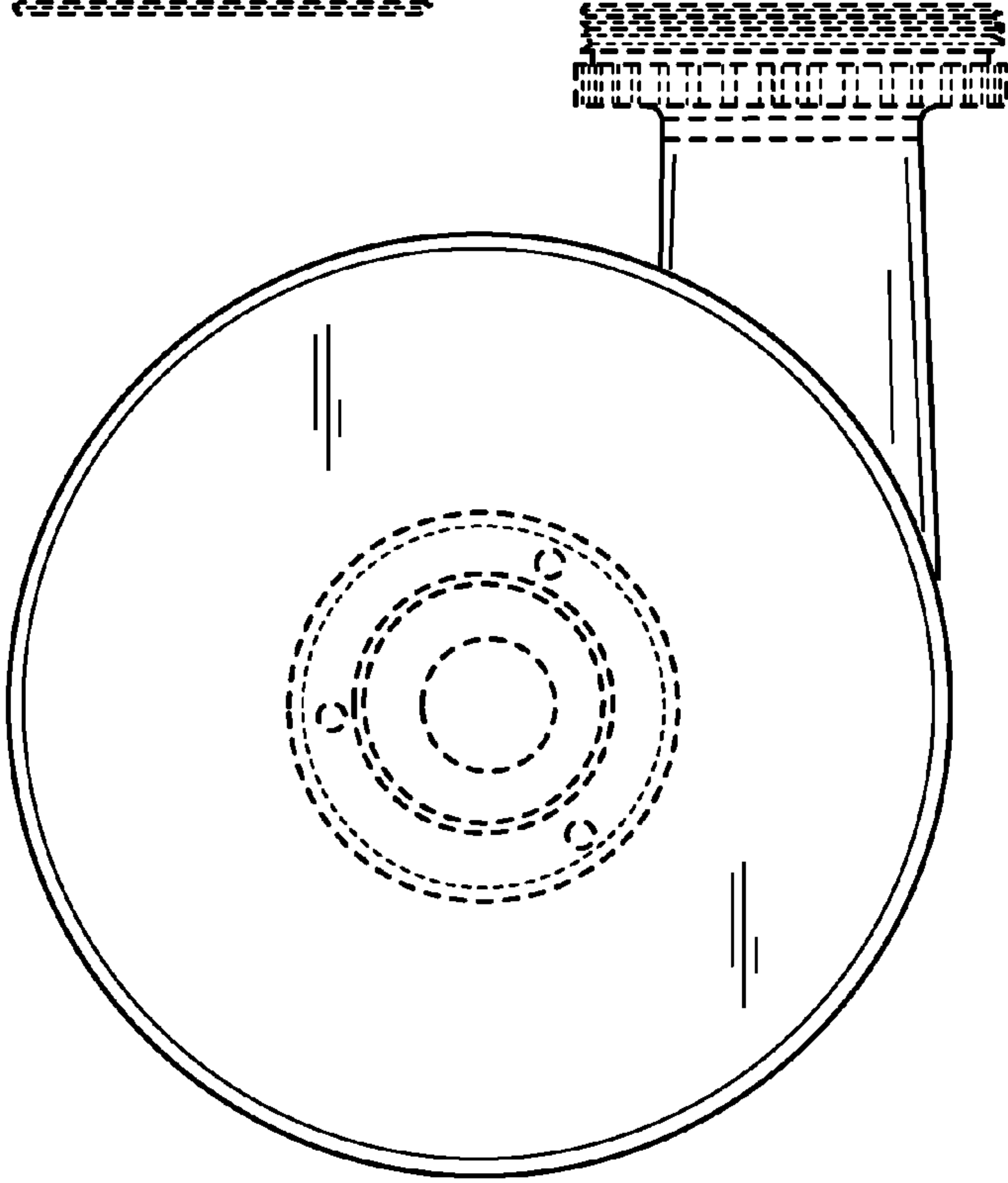


FIG. 7

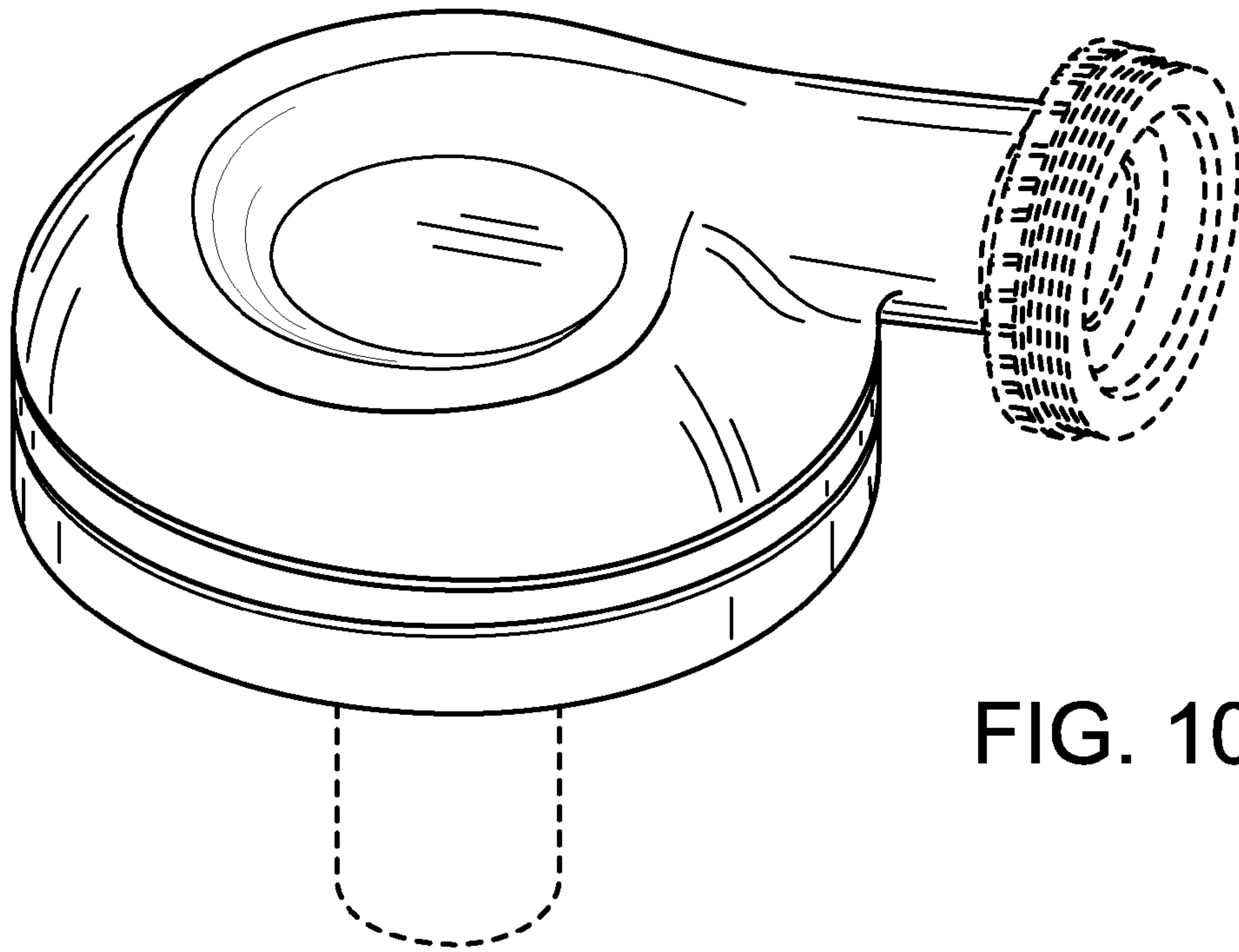


FIG. 10

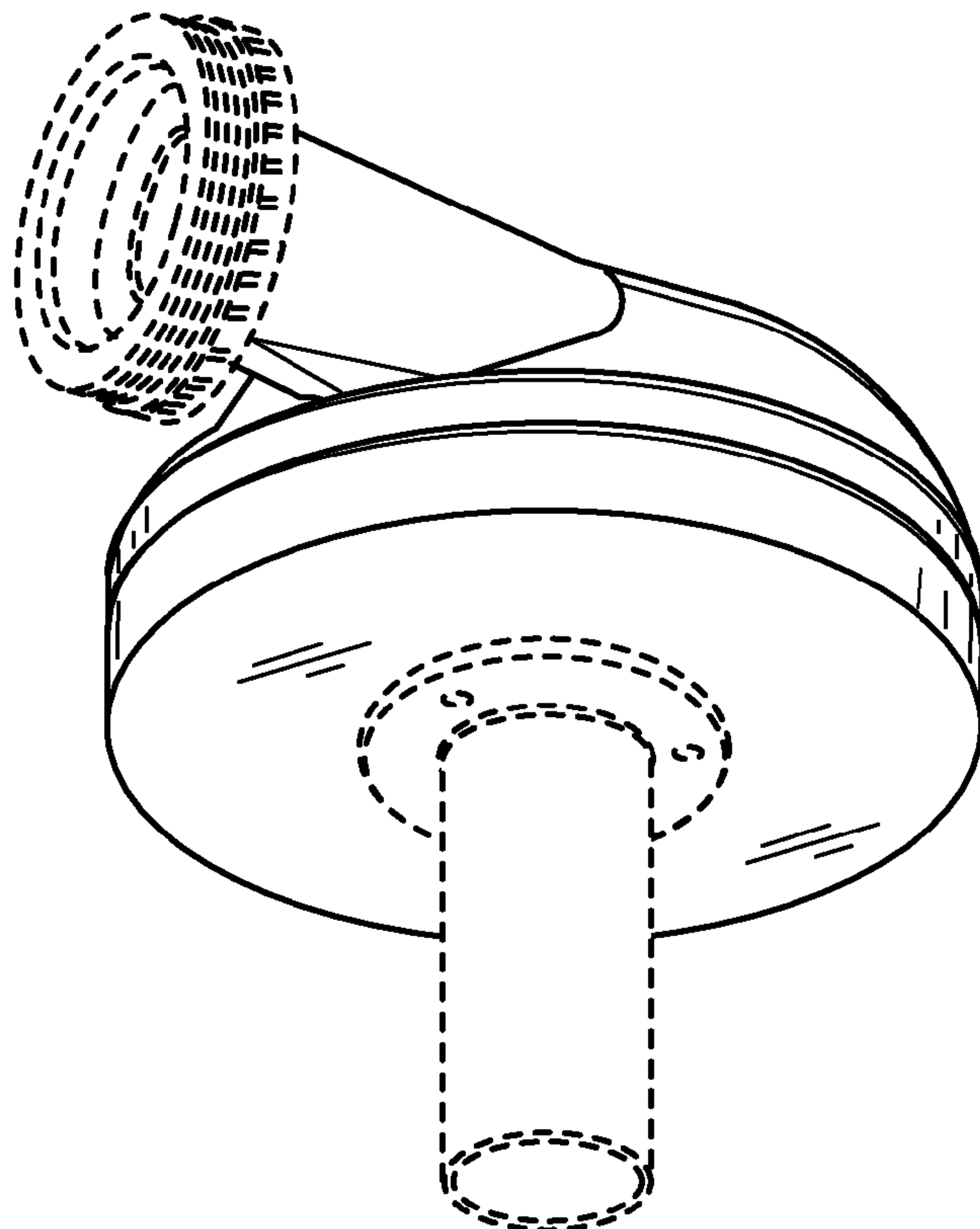


FIG. 9

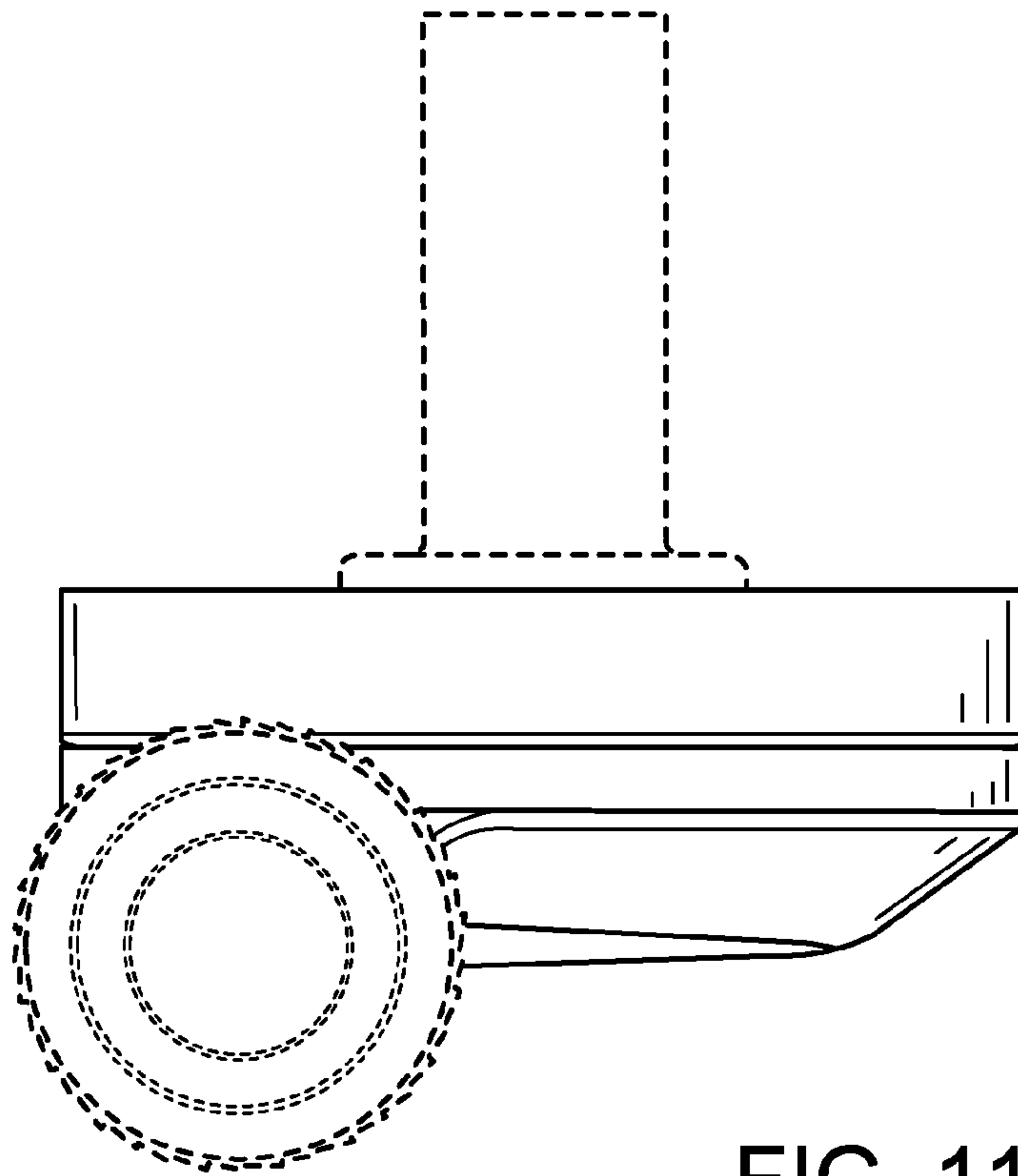


FIG. 11

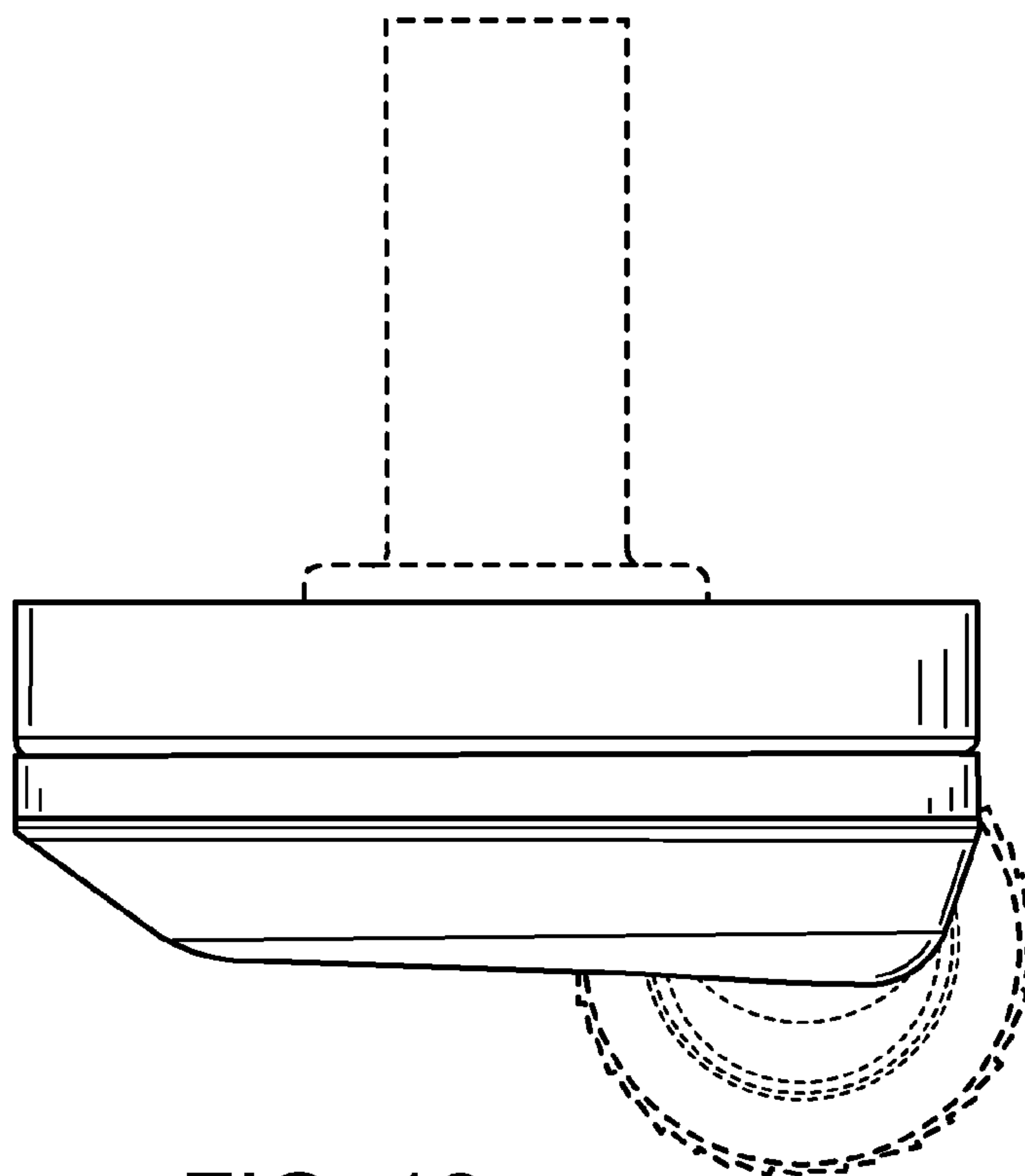


FIG. 12

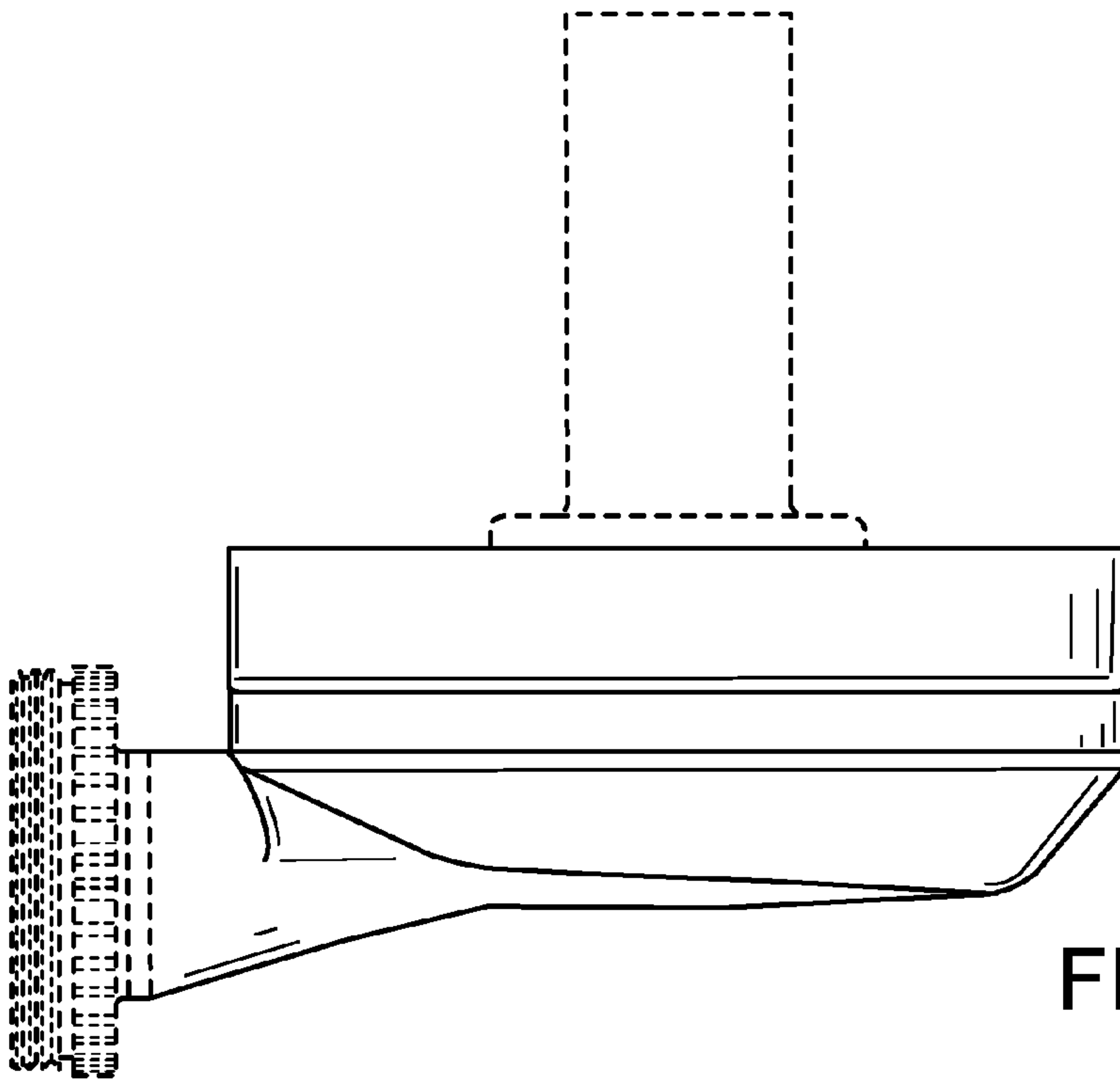


FIG. 13

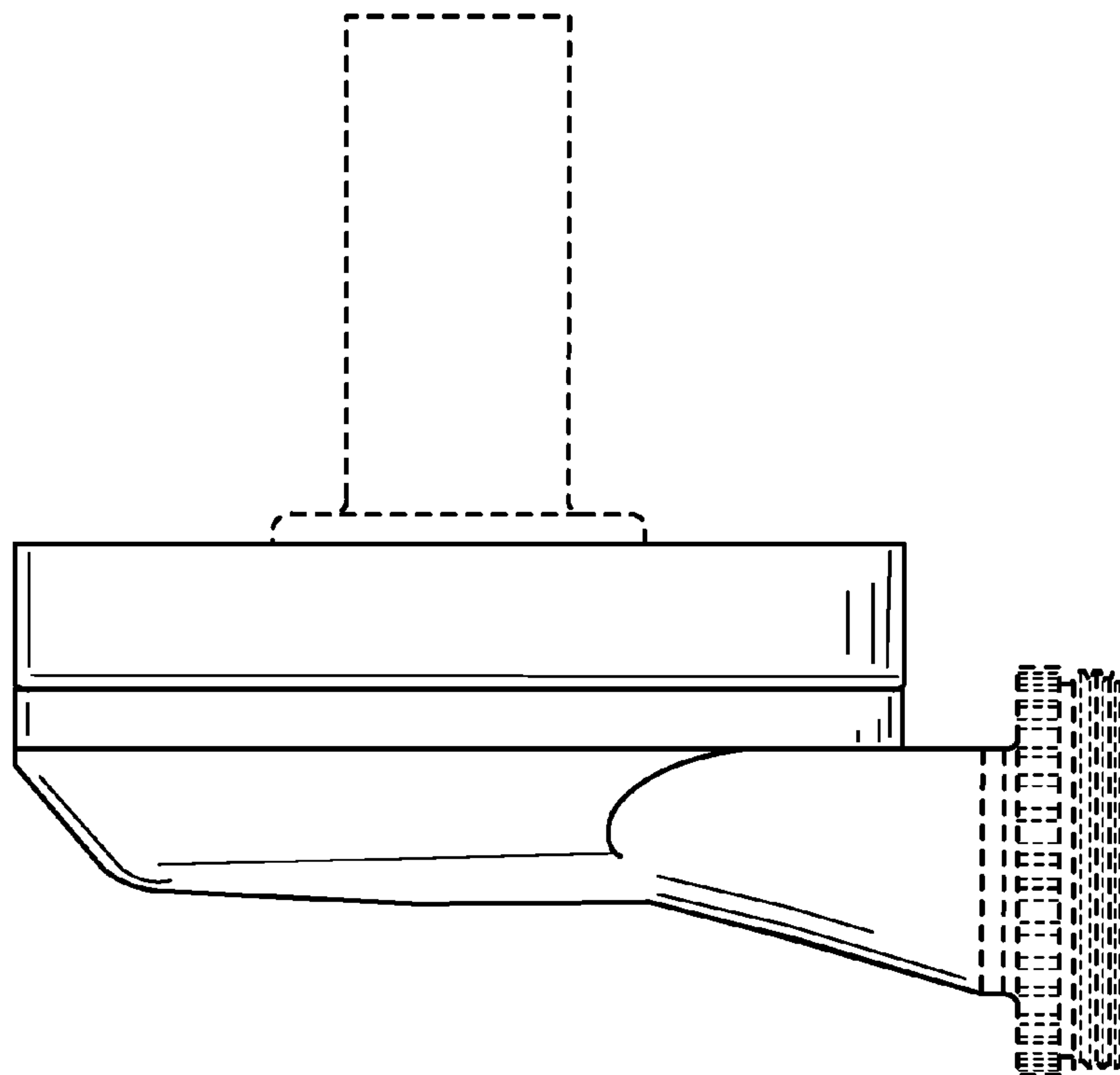


FIG. 14

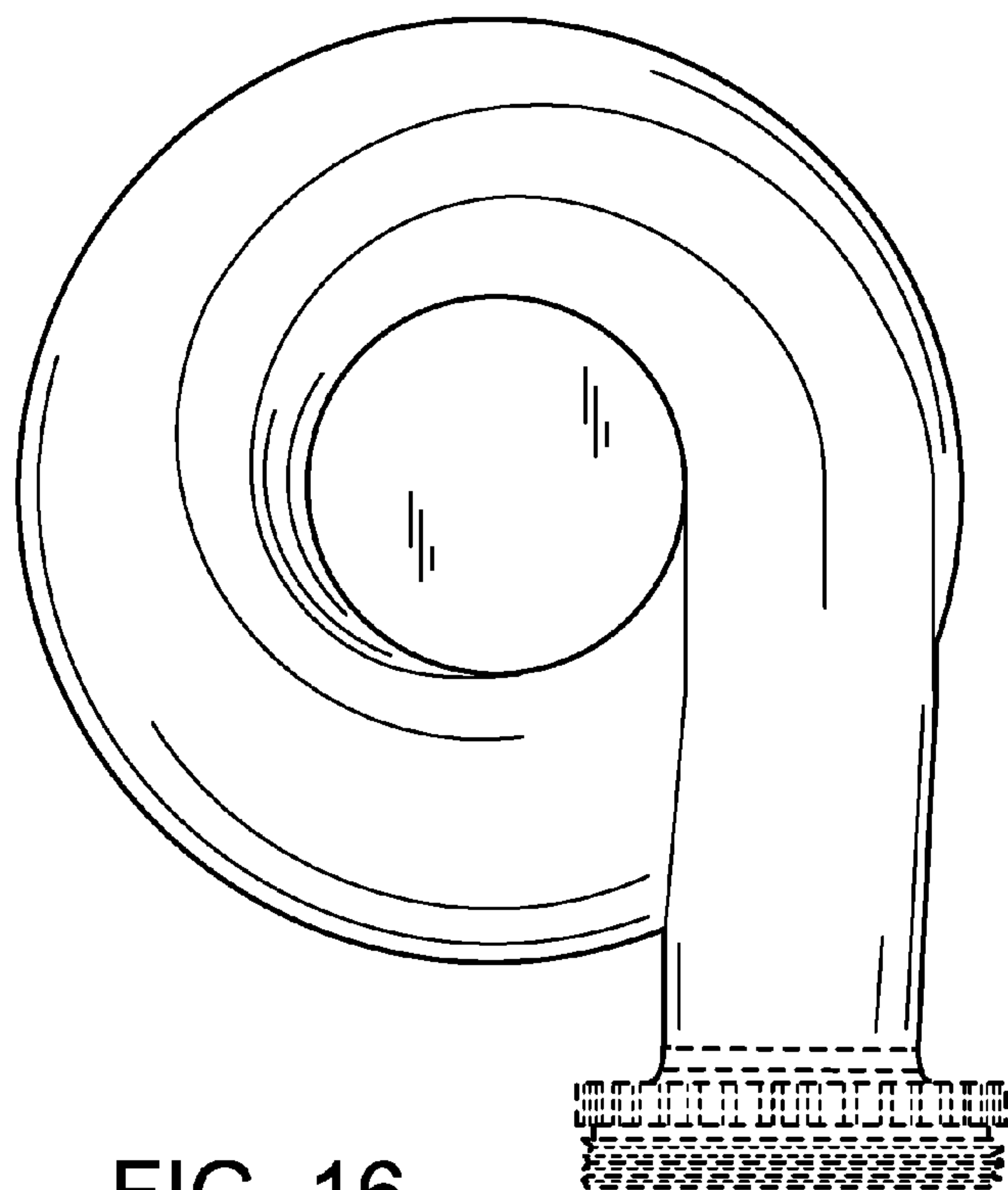


FIG. 16

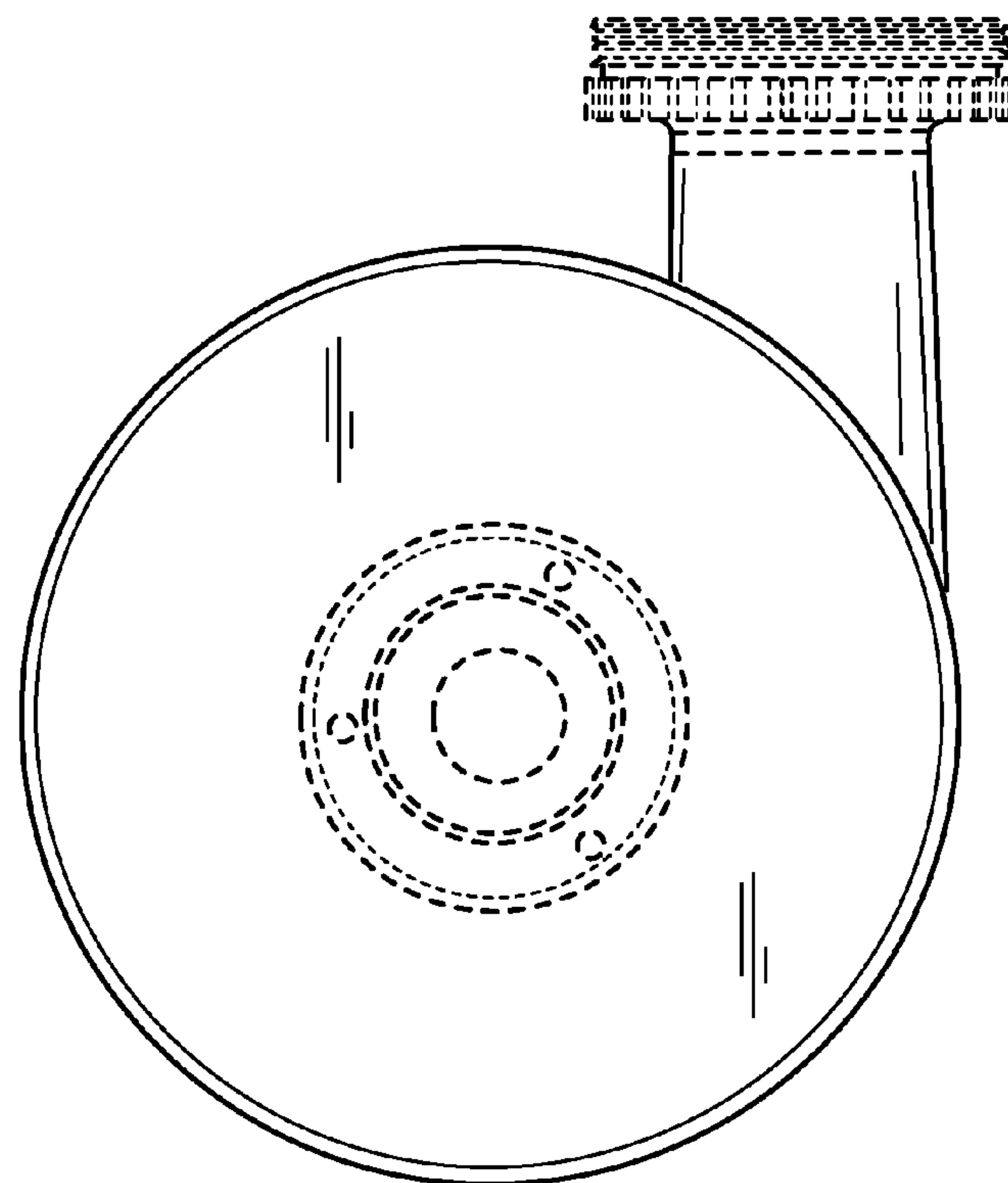


FIG. 15