



US00D669582S

(12) **United States Design Patent**
Weston et al.

(10) **Patent No.:** **US D669,582 S**
(45) **Date of Patent:** **** Oct. 23, 2012**

(54) **CARTRIDGE FOR ENDOTHELIAL CORNEAL GRAFTS**

(76) Inventors: **Philip Douglas Weston**, Ledyard, CT (US); **Donald Tan**, Singapore (SG); **Jod Mehta**, Singapore (SG)

(**) Term: **14 Years**

(21) Appl. No.: **29/395,063**

(22) Filed: **Nov. 18, 2011**

(30) **Foreign Application Priority Data**

May 19, 2011 (EM) 001866344-0001

(51) **LOC (9) Cl.** **24-02**

(52) **U.S. Cl.** **D24/150; D24/147**

(58) **Field of Classification Search** D24/147, D24/150, 133; 606/1, 5, 6, 107, 161, 166, 606/172; 600/558; 351/200; 359/511, 600
See application file for complete search history.

(56) **References Cited**

U.S. PATENT DOCUMENTS

D196,610	S *	10/1963	Kolbeck	D24/150
3,151,392	A *	10/1964	Chambers	30/240
4,061,146	A *	12/1977	Baehr et al.	606/107
D374,284	S *	10/1996	Stone et al.	D24/145
5,817,115	A *	10/1998	Nigam	606/166
D403,068	S *	12/1998	England	D24/150
5,944,731	A *	8/1999	Hanna	606/166
6,258,110	B1 *	7/2001	Hellenkamp	606/166
D459,806	S *	7/2002	Webb	D24/150

D459,807	S *	7/2002	Webb	D24/150
6,656,197	B1 *	12/2003	LaHaye	606/166
7,166,117	B2 *	1/2007	Hellenkamp	606/166
7,223,275	B2 *	5/2007	Shiuey	606/166
7,338,508	B2 *	3/2008	Dybbs	606/166
7,645,291	B2 *	1/2010	Ross et al.	606/166
D615,651	S *	5/2010	Hoffmann et al.	D24/150
7,744,614	B2 *	6/2010	Gayheart et al.	606/166
D633,203	S *	2/2011	Weston et al.	D24/150
2010/0211051	A1 *	8/2010	Weston et al.	606/1

* cited by examiner

Primary Examiner — Ian Simmons

Assistant Examiner — Carissa C Fitts

(74) *Attorney, Agent, or Firm* — Ira S. Dorman

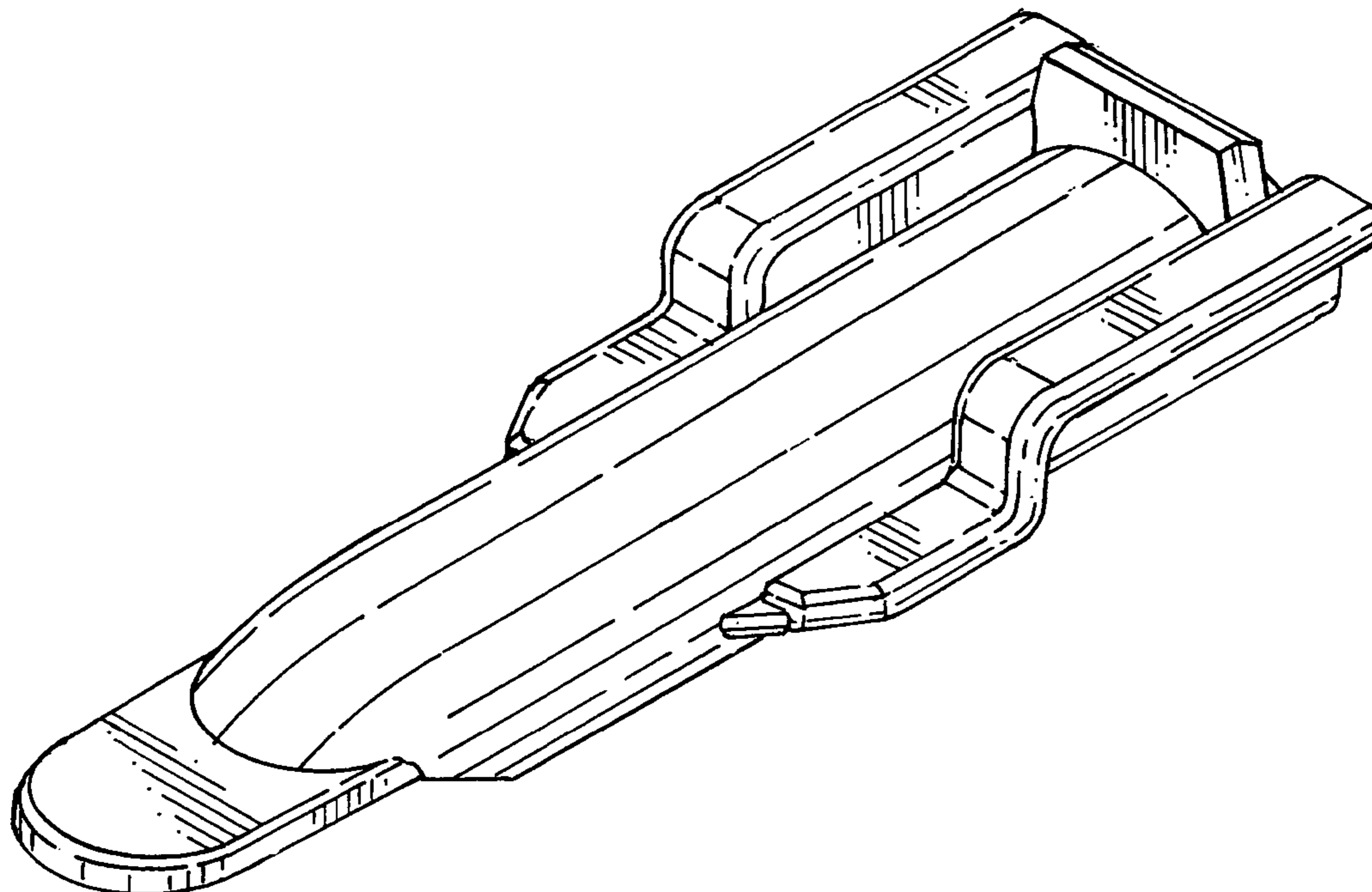
(57) **CLAIM**

The ornamental design for a cartridge for endothelial corneal grafts, as shown and described.

DESCRIPTION

FIG. 1 is a perspective view of a cartridge for endothelial corneal grafts embodying the present invention; FIG. 2 is a top plan view of the cartridge of FIG. 1; FIG. 3 is a bottom view of the cartridge; FIG. 4 is a side elevational view of the cartridge (the opposite side elevational view being a mirror image thereof); FIG. 5 is a rear view of the cartridge, drawn to a scale enlarged from that of the previous figures; and, FIG. 6 is a front view of the cartridge, drawn to the scale of FIG. 5.

1 Claim, 3 Drawing Sheets



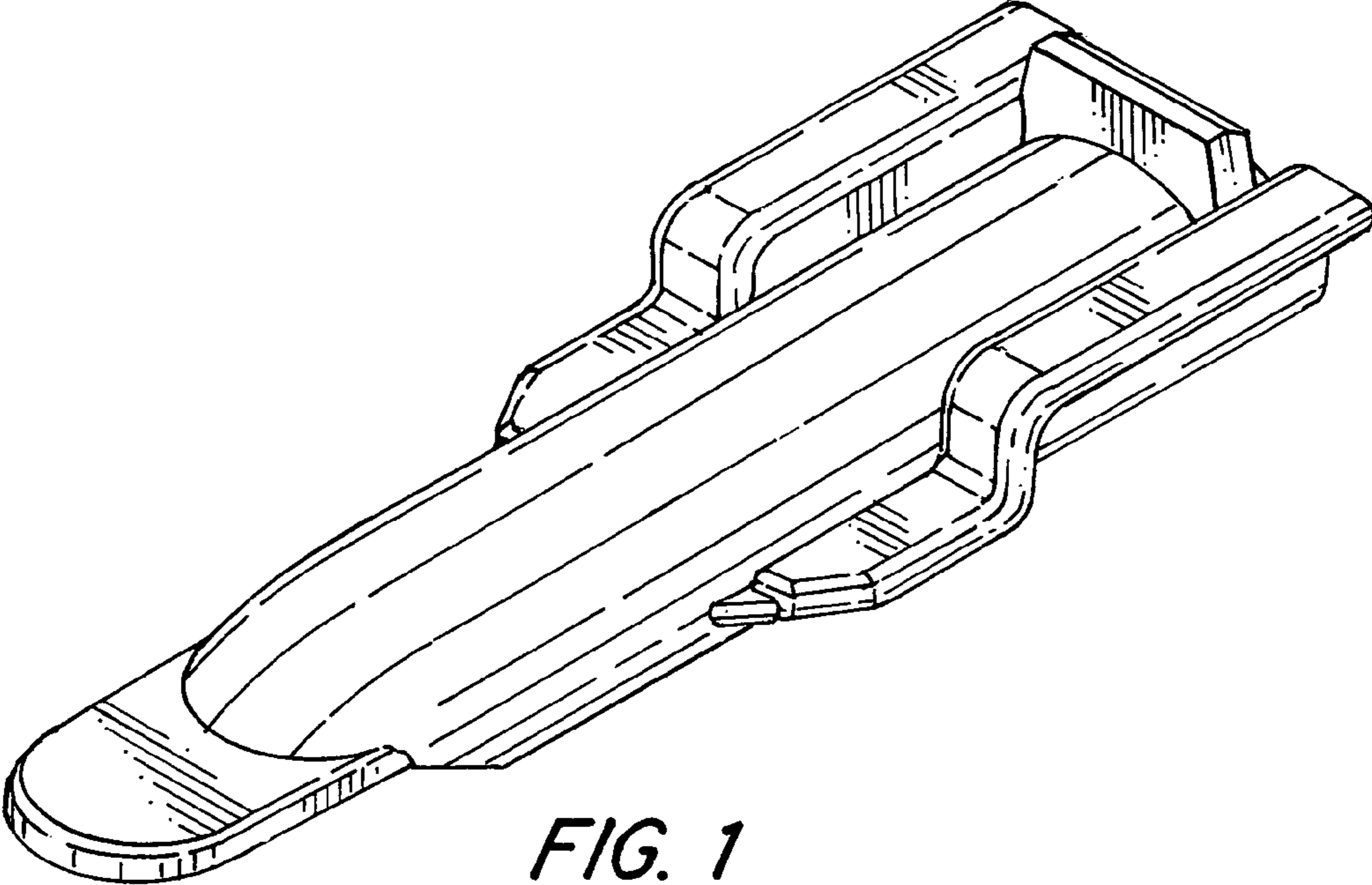


FIG. 1

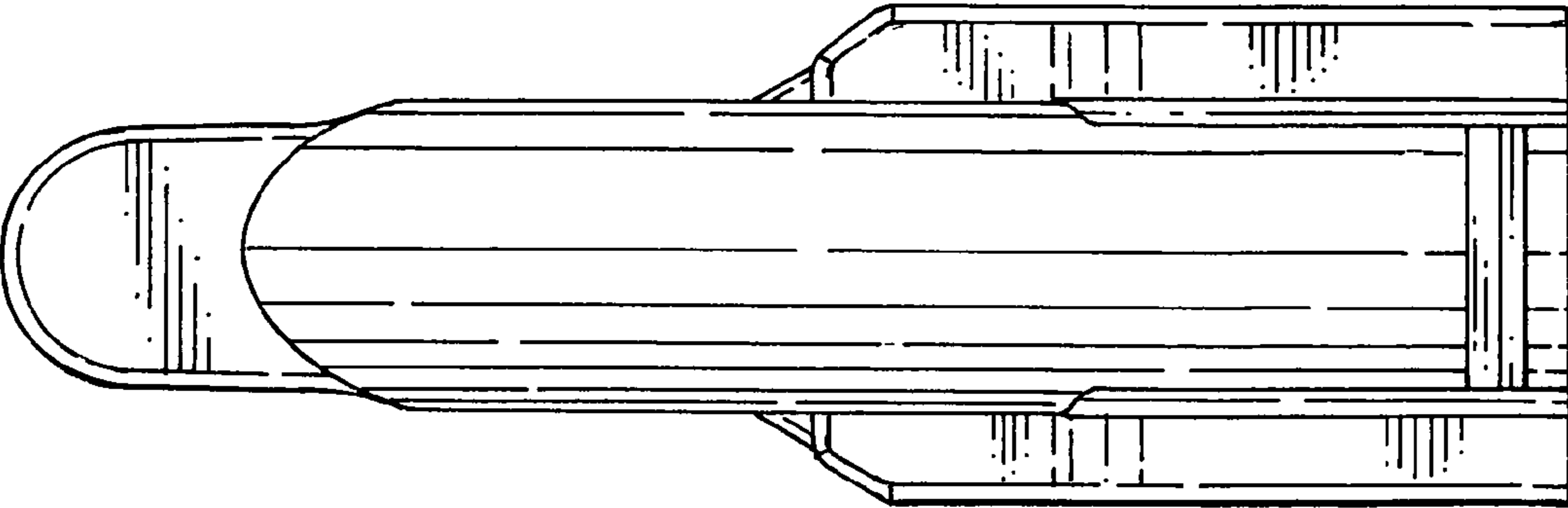


FIG. 2

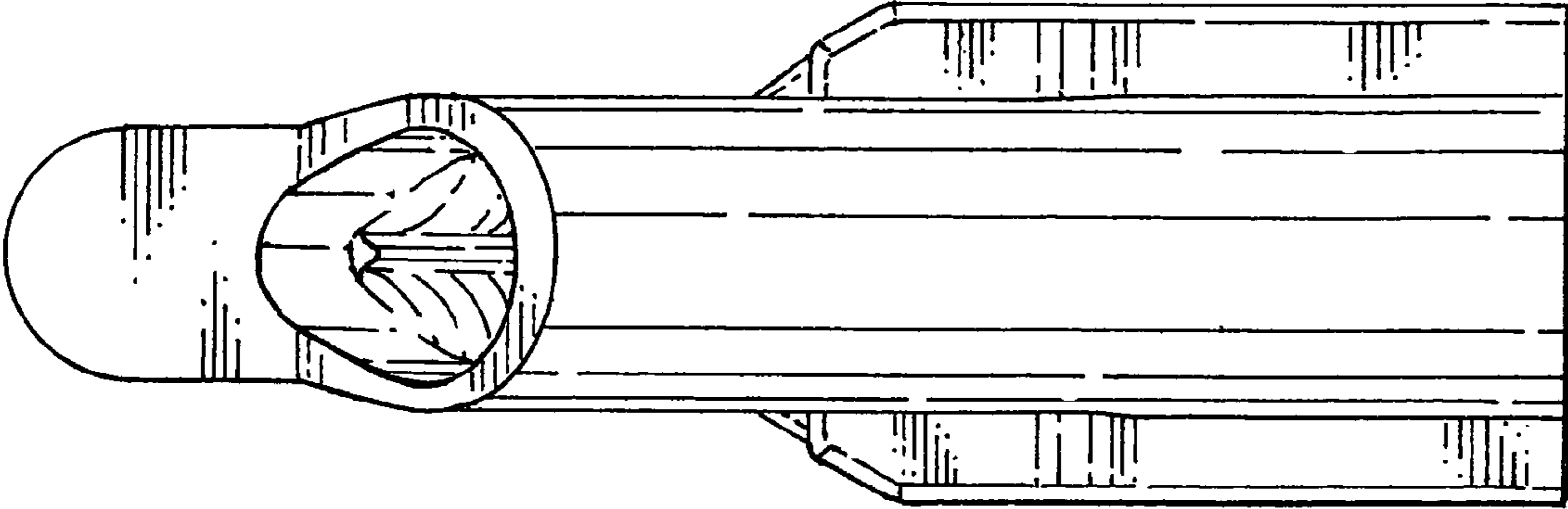


FIG. 3

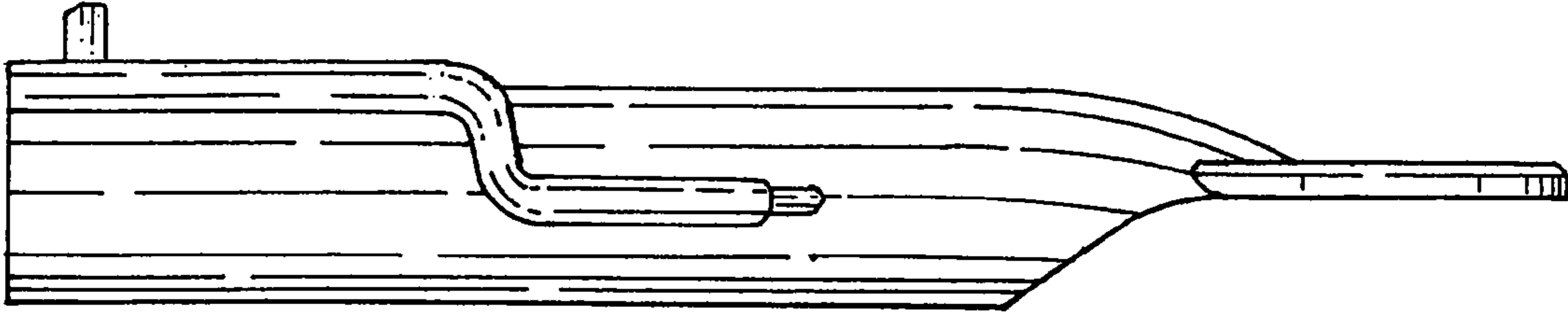


FIG. 4

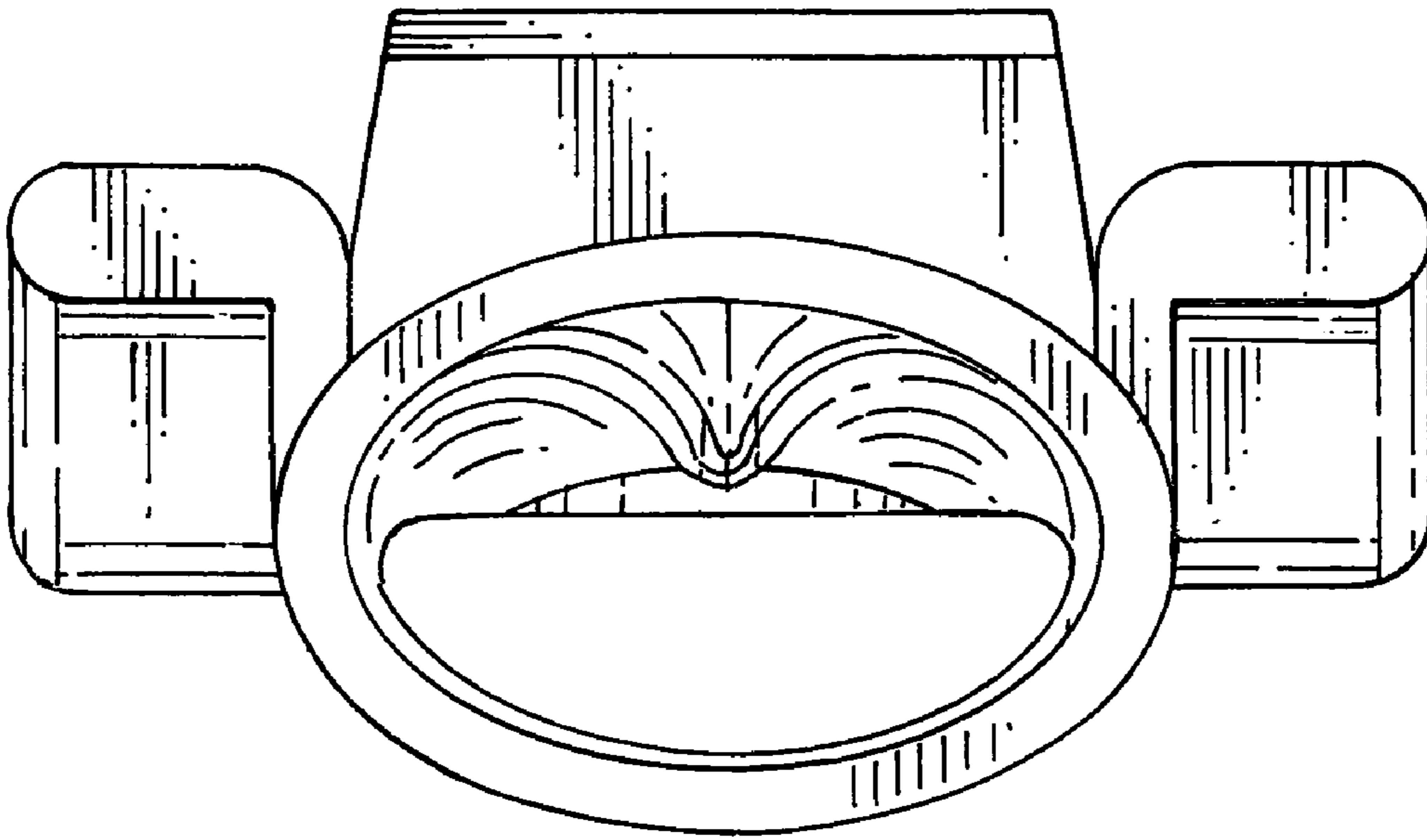


FIG. 5

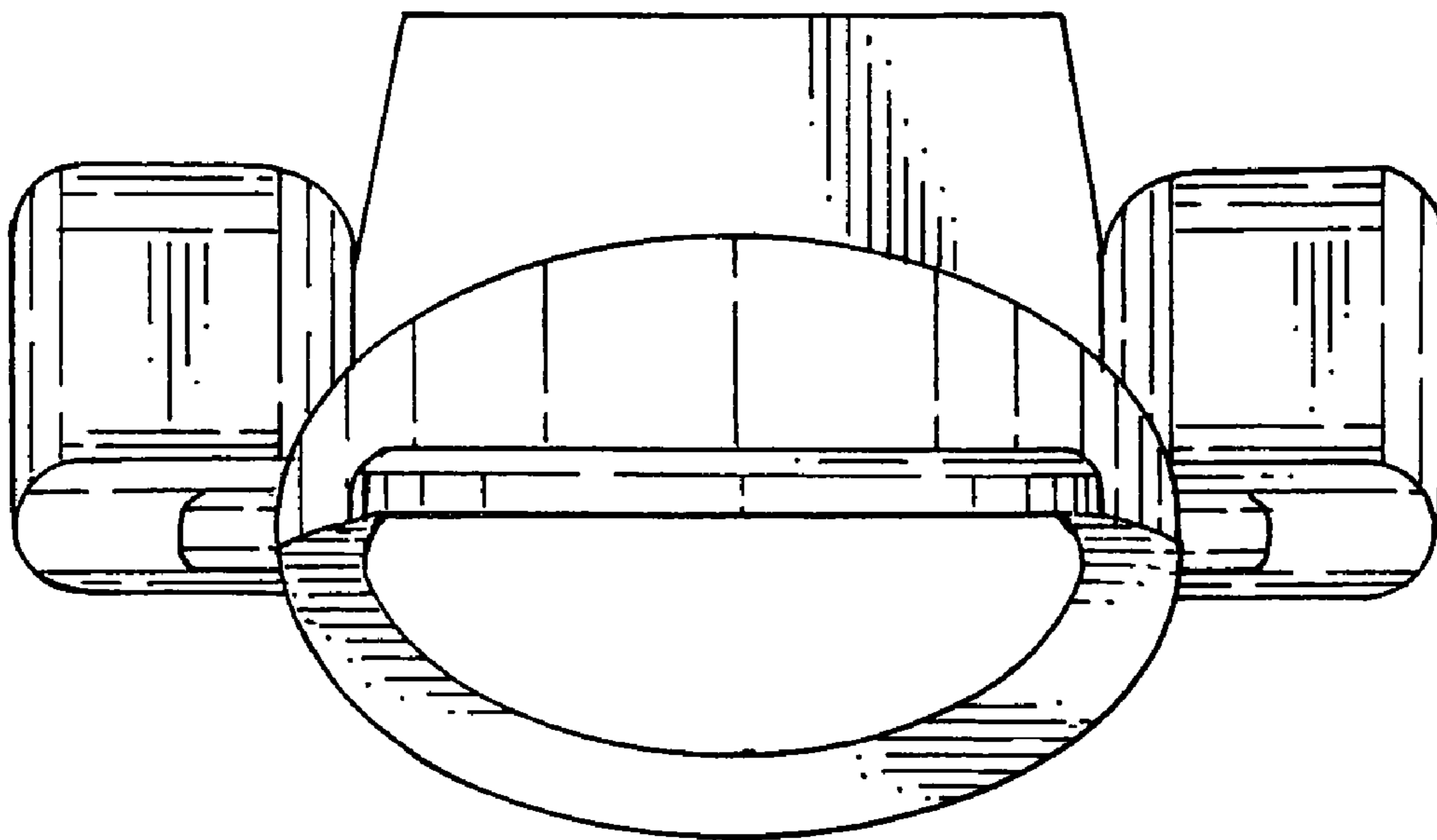


FIG. 6