

US00D669581S

(12) **United States Design Patent**
Van Wyk

(10) **Patent No.:** **US D669,581 S**
(45) **Date of Patent:** **** Oct. 23, 2012**

(54) **ELECTROSURGICAL CUTTING BLADE**

(75) **Inventor:** **Robert A. Van Wyk**, St. Pete Beach, FL
(US)

(73) **Assignee:** **Electromedical Associates, LLC**,
Bethesda, MD (US)

(**) **Term:** **14 Years**

(21) **Appl. No.:** **29/409,370**

(22) **Filed:** **Dec. 22, 2011**

(51) **LOC (9) Cl.** **24-02**

(52) **U.S. Cl.** **D24/144**

(58) **Field of Classification Search** D24/144,
D24/146, 152, 170; D8/14, 90, 92, 98, 101,
D8/107; D28/59; 30/165, 329, 337, 340,
30/346; 606/32, 39, 45, 49-50, 84-85, 86 R,
606/170

See application file for complete search history.

(56) **References Cited**

U.S. PATENT DOCUMENTS

D265,421	S	*	7/1982	Moore et al.	D24/147
D289,084	S	*	3/1987	Freitag	D24/144
4,876,110	A	*	10/1989	Blanch	427/2.28
5,197,962	A	*	3/1993	Sansom et al.	606/45
5,380,320	A	*	1/1995	Morris	606/45

6,511,479	B2	*	1/2003	Gentelia et al.	606/45
6,540,745	B1	*	4/2003	Fairbourn et al.	606/45
6,610,057	B1	*	8/2003	Ellman et al.	606/45
D514,419	S	*	2/2006	Henriksen	D8/98
7,147,634	B2	*	12/2006	Nesbitt	606/45
7,935,113	B2	*	5/2011	Heim et al.	606/45

* cited by examiner

Primary Examiner — Wan Laymon

(74) *Attorney, Agent, or Firm* — Chalin Smith; Smith Patent Consulting, LLC

(57) **CLAIM**

The ornamental design for a electrosurgical cutting blade, as shown and described.

DESCRIPTION

FIG. 1 is a top plan view of an electrosurgical cutting blade showing my new design.

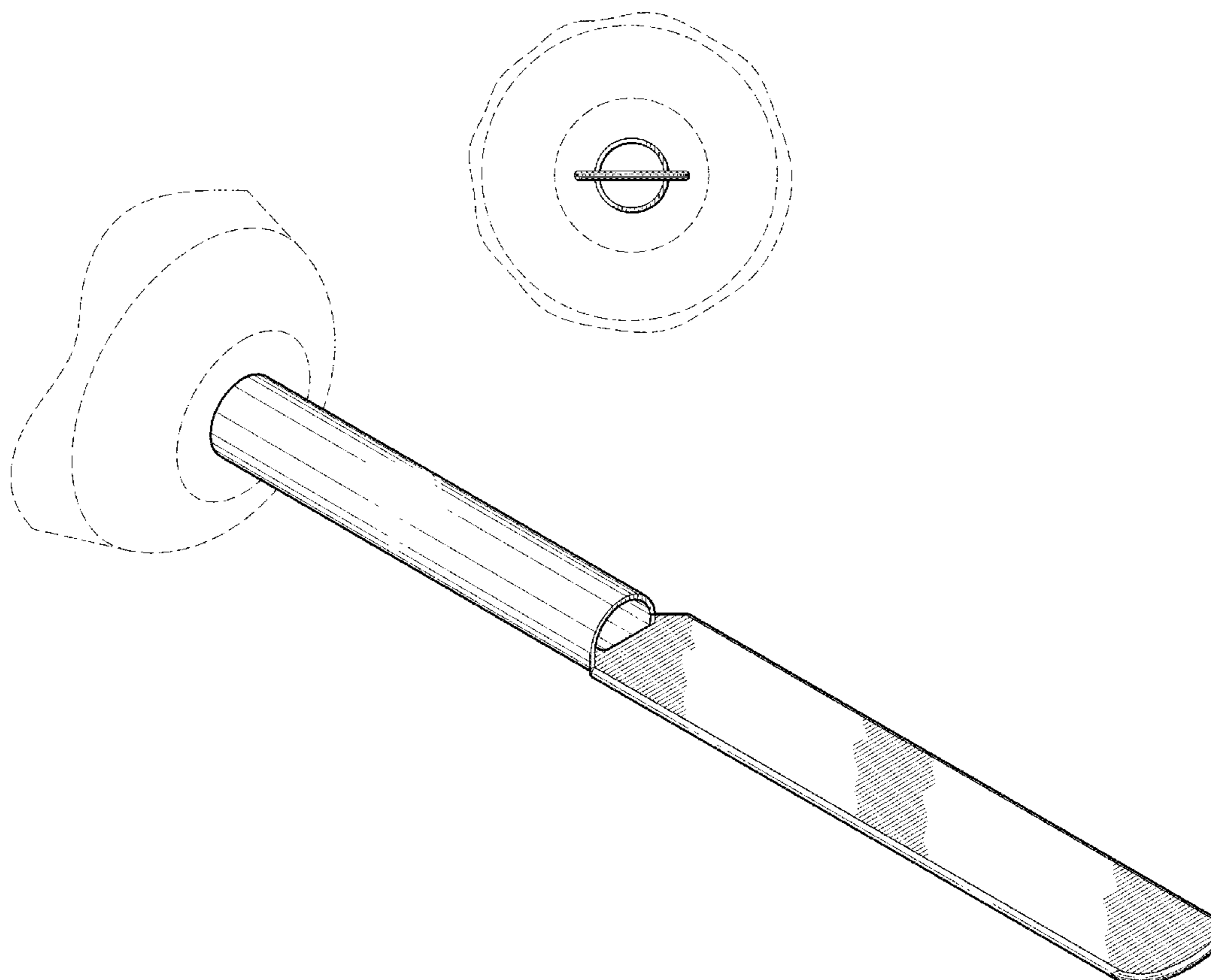
FIG. 2 is side elevational view thereof.

FIG. 3 is a distal end elevational view thereof; and,

FIG. 4 is a perspective view thereof.

Any indicia, including but not limited to words and symbols, shown on the accompanying drawings form no part of the claimed design. Broken lines are included for the purpose of illustrating portions of the electrosurgical cutting blade that form no part of the claimed design.

1 Claim, 4 Drawing Sheets



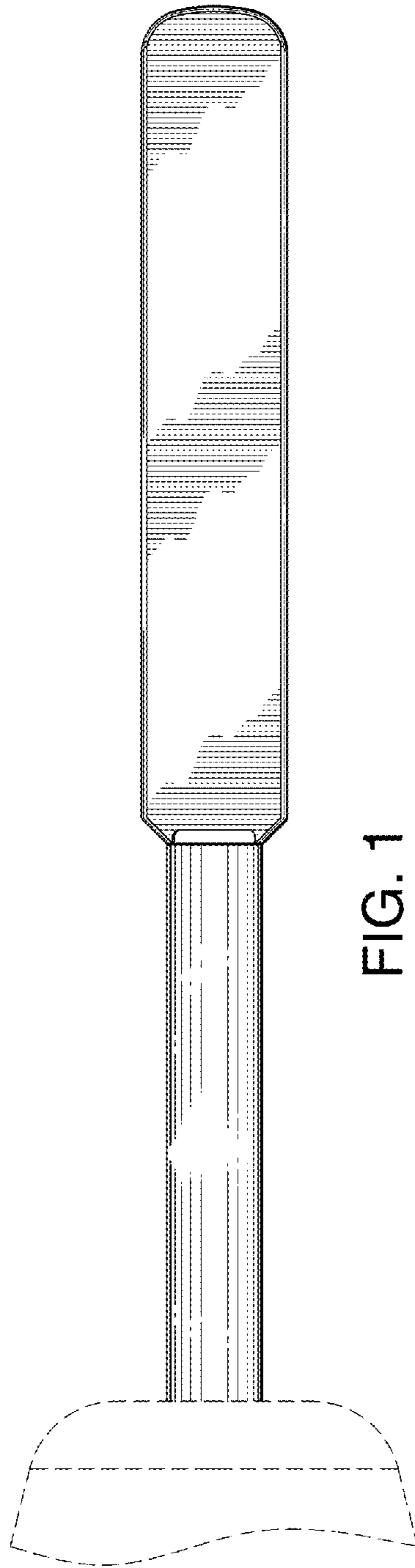
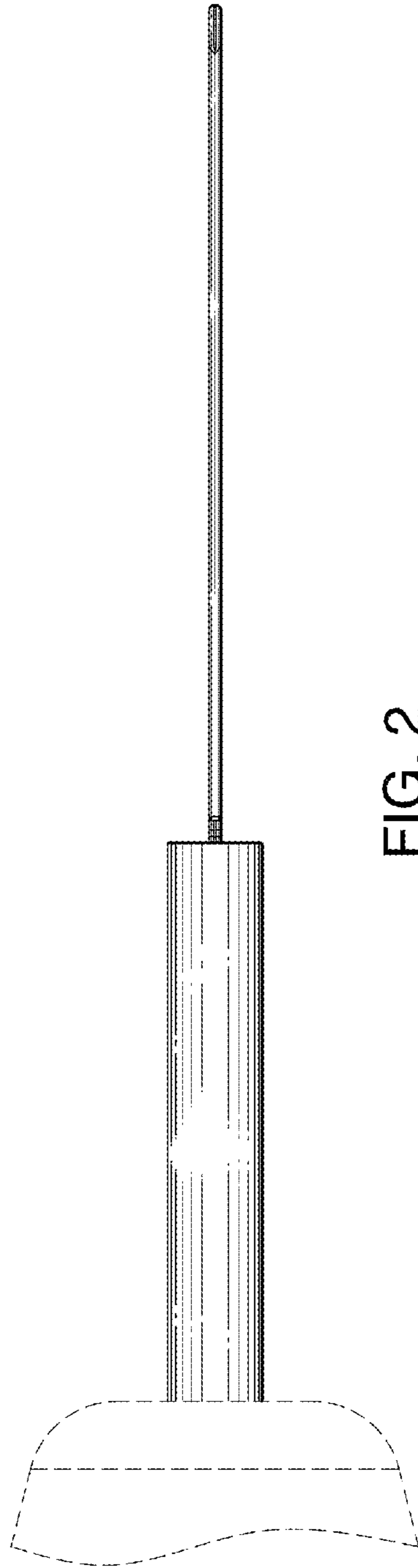


FIG. 1



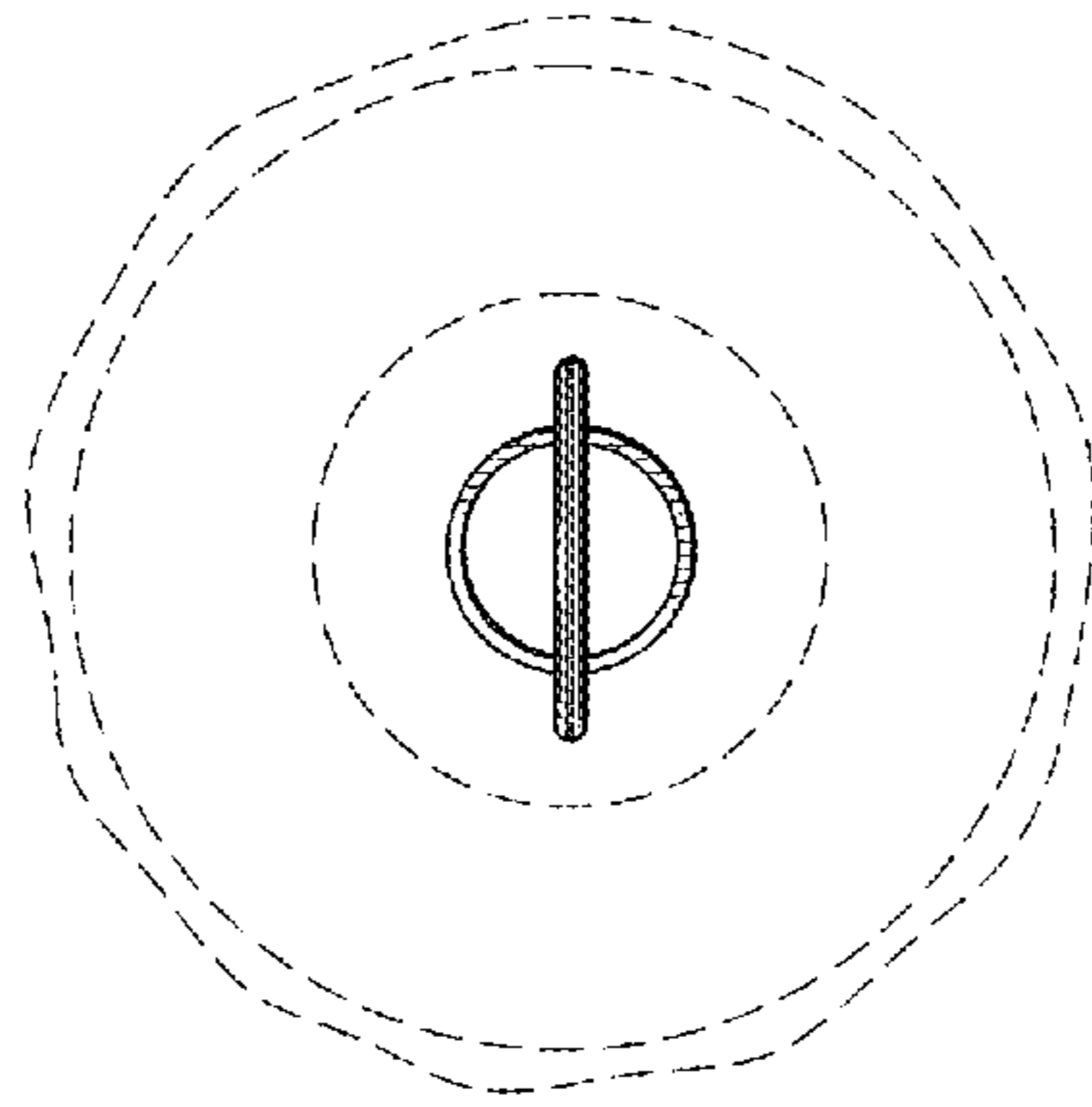


FIG. 3

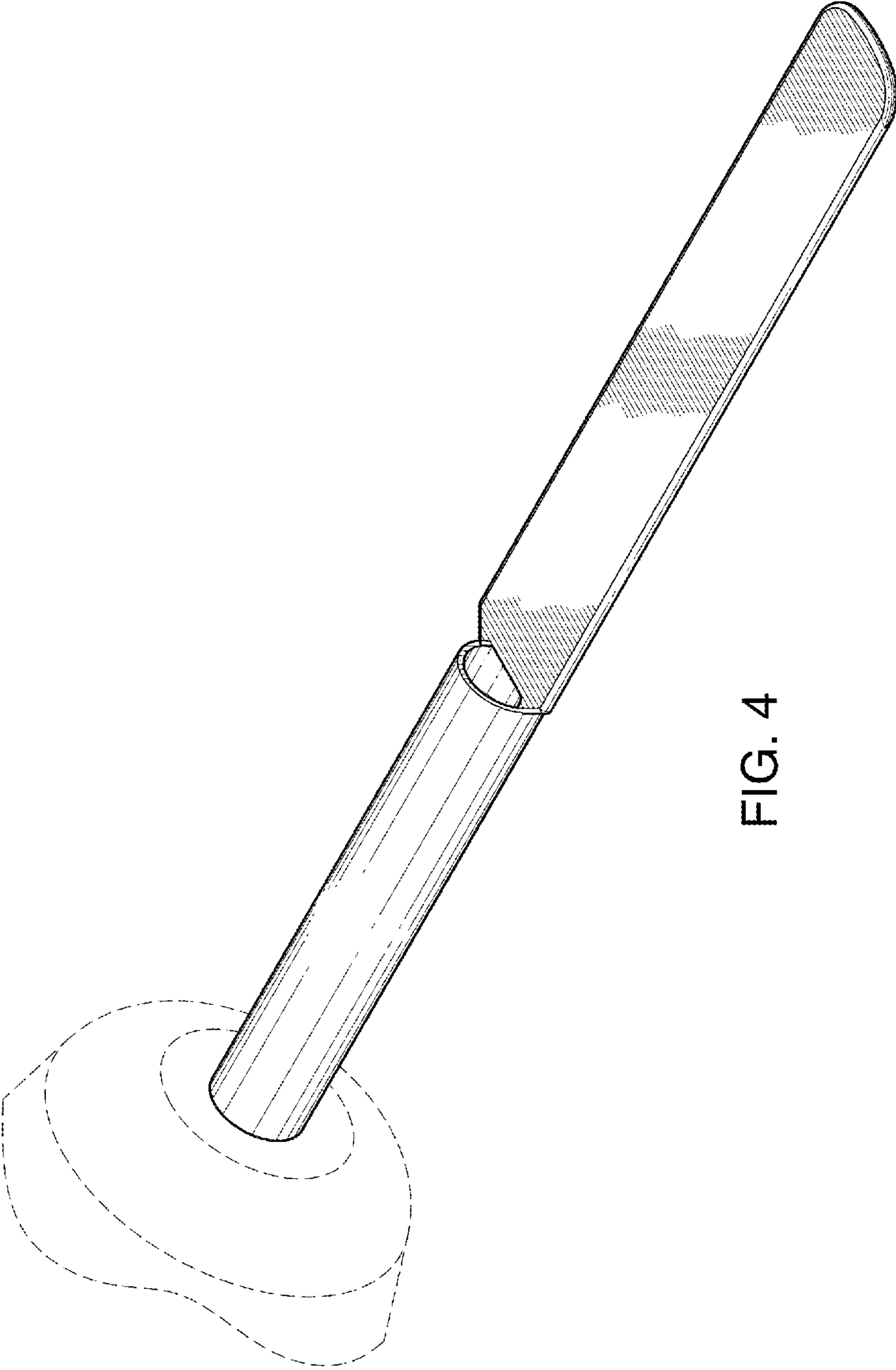


FIG. 4