

US00D669580S

(12) **United States Design Patent**
Eisenkolb et al.

(10) **Patent No.:** **US D669,580 S**

(45) **Date of Patent:** **** *Oct. 23, 2012**

(54) **EYEPIECE CUP**

(75) Inventors: **Peter Eisenkolb**, Tuttlingen (DE);
Martin Lehmann, Zoznegg (DE)

(73) Assignee: **Karl Storz GmbH & Co. KG** (DE)

(*) Notice: This patent is subject to a terminal disclaimer.

(**) Term: **14 Years**

(21) Appl. No.: **29/391,895**

(22) Filed: **May 13, 2011**

(30) **Foreign Application Priority Data**

Nov. 15, 2010 (EM) 001781360-0006
Nov. 15, 2010 (EM) 001781360-0007

(51) **LOC (9) Cl.** **24-02**

(52) **U.S. Cl.** **D24/137**

(58) **Field of Classification Search** D24/138,
D24/137, 133; 600/101-183
See application file for complete search history.

(56) **References Cited**

U.S. PATENT DOCUMENTS

6,743,166 B2 * 6/2004 Berci et al. 600/120
D533,941 S * 12/2006 Furst et al. D24/138
D583,470 S 12/2008 Kupferschmid
D583,471 S 12/2008 Kupferschmid
D598,099 S * 8/2009 Halbig D24/138
D611,600 S * 3/2010 Stammberger et al. D24/138
D612,497 S * 3/2010 Berci D24/138

D637,718 S * 5/2011 Eisenkolb D24/138
D637,719 S * 5/2011 Eisenkolb D24/138
D638,542 S * 5/2011 Eisenkolb D24/138
D645,963 S * 9/2011 Buerk et al. D24/138
D647,614 S * 10/2011 Becker D24/138
D647,615 S * 10/2011 Becker D24/138
D647,616 S * 10/2011 Becker D24/138
D648,022 S * 11/2011 Becker D24/138
D650,077 S * 12/2011 Becker D24/138
2010/0022838 A1 * 1/2010 Hoeg 600/131

* cited by examiner

Primary Examiner — Bridget L Eland

(74) *Attorney, Agent, or Firm* — St. Onge Steward Johnston
& Reens LLC

(57) **CLAIM**

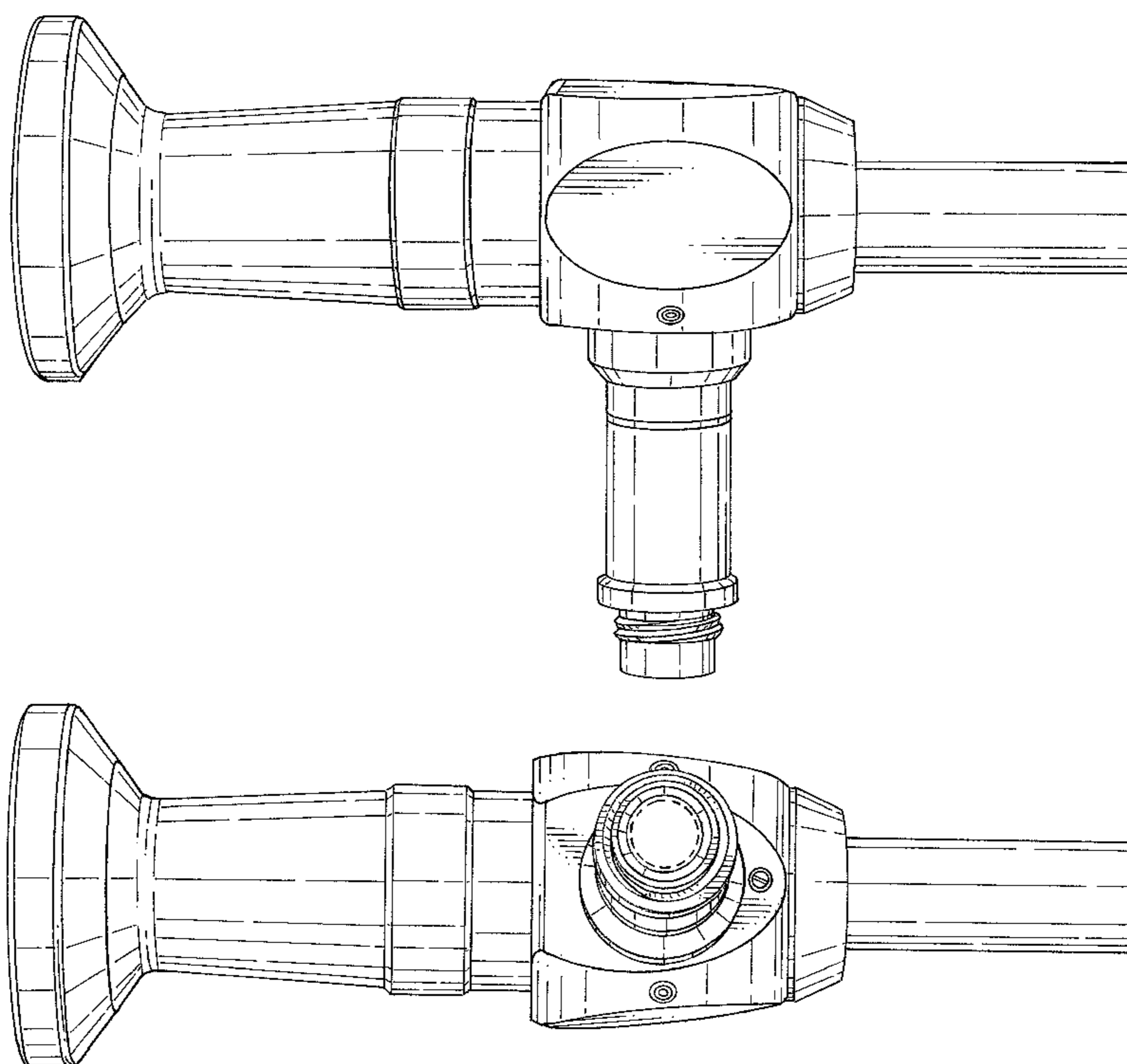
The ornamental design for an eyepiece cup, as shown and described.

DESCRIPTION

FIG. 1 is a right side isometric view of an eyepiece cup in accordance with the new design;
FIG. 2 is a right side isometric view thereof;
FIG. 3 is a left side isometric view thereof;
FIG. 4 is a top isometric view thereof;
FIG. 5 is a bottom isometric view thereof;
FIG. 6 is a front isometric view thereof; and,
FIG. 7 is a rear isometric view thereof.

The broken lines shown in FIGS. 1-7 represent the bounds of the claimed design and form no part of the claimed design.

1 Claim, 7 Drawing Sheets



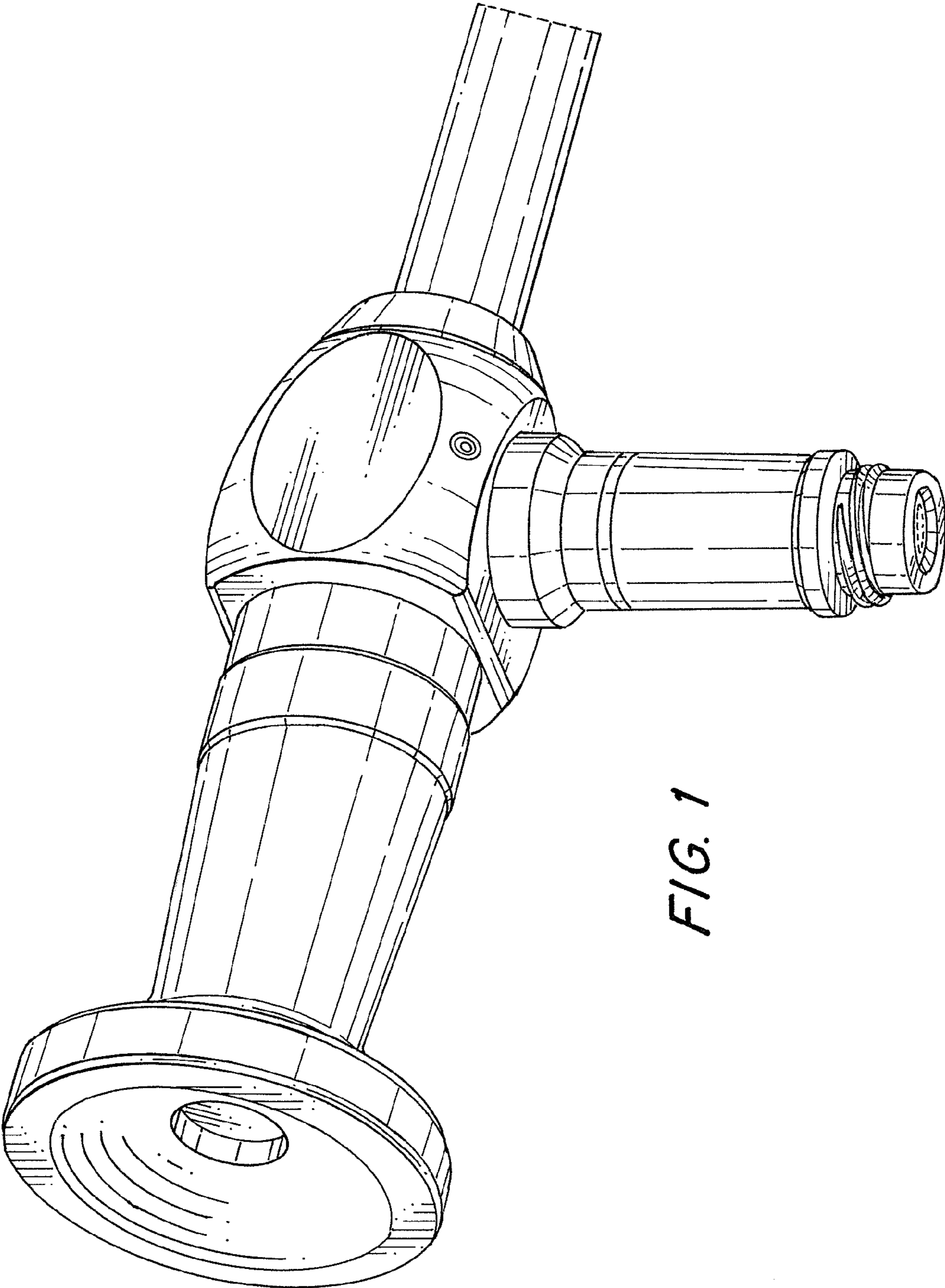


FIG. 1

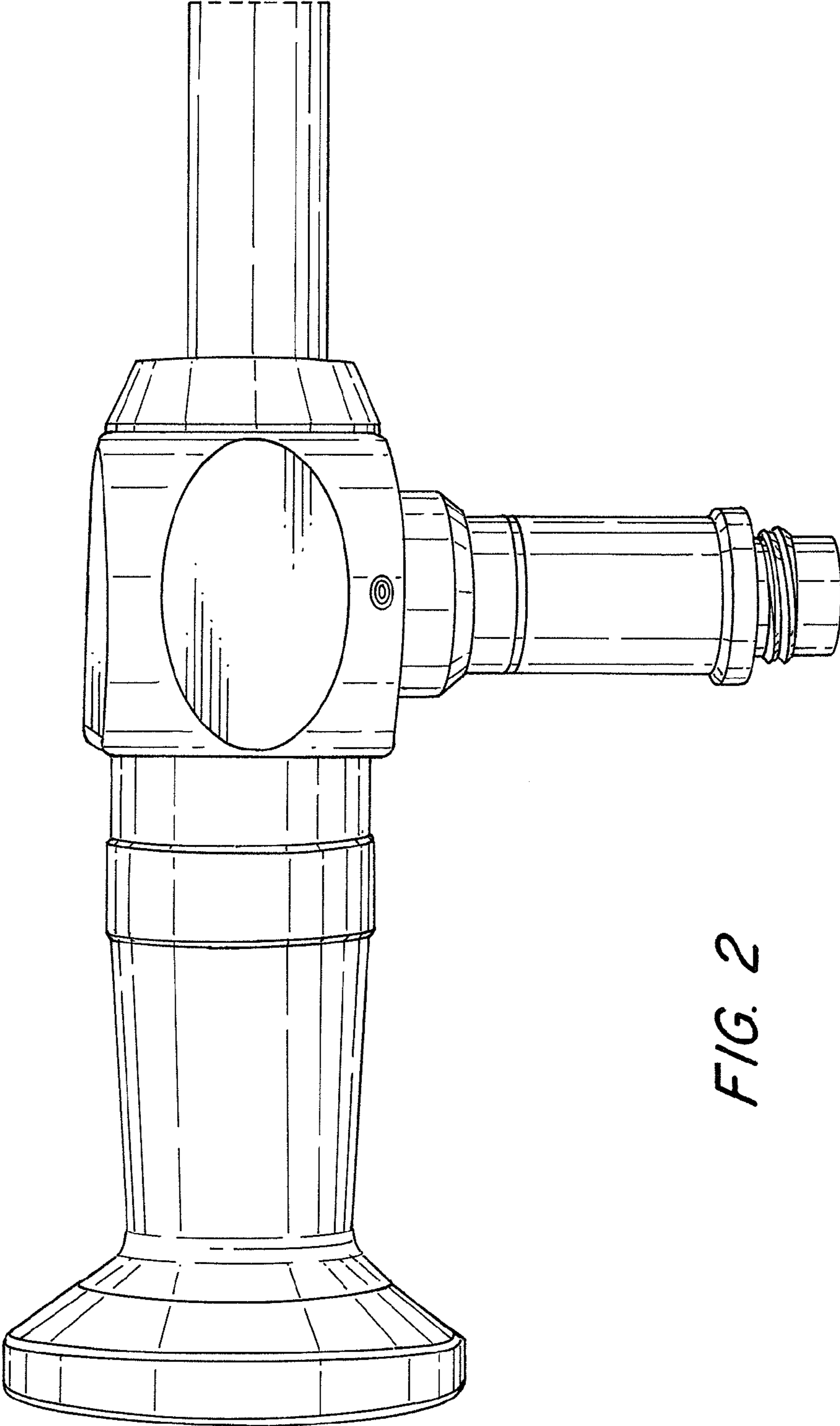


FIG. 2

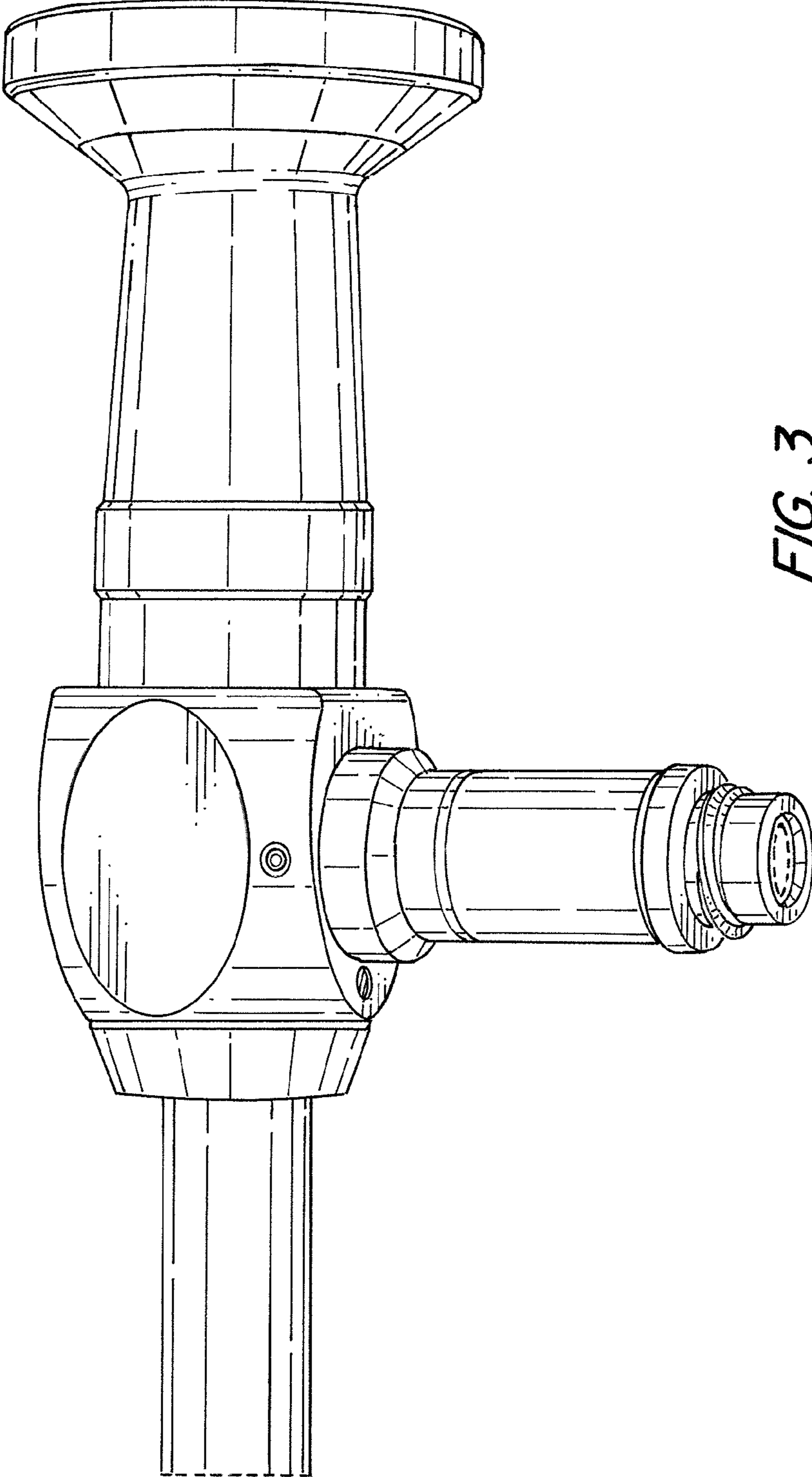


FIG. 3

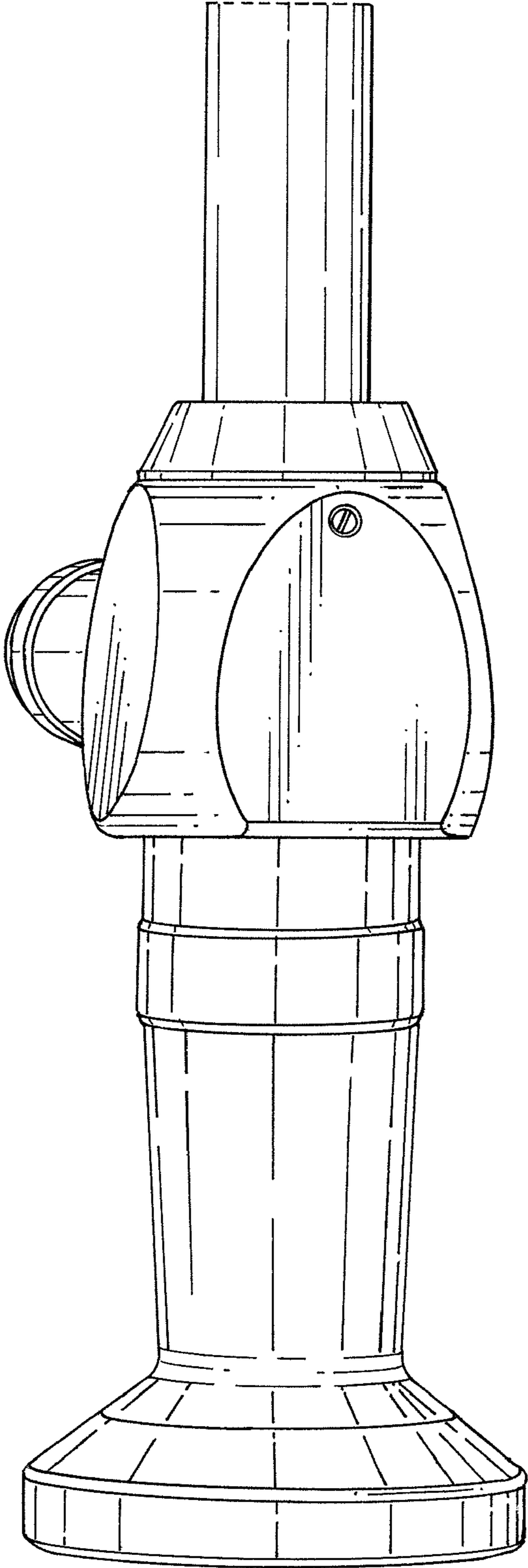


FIG. 4

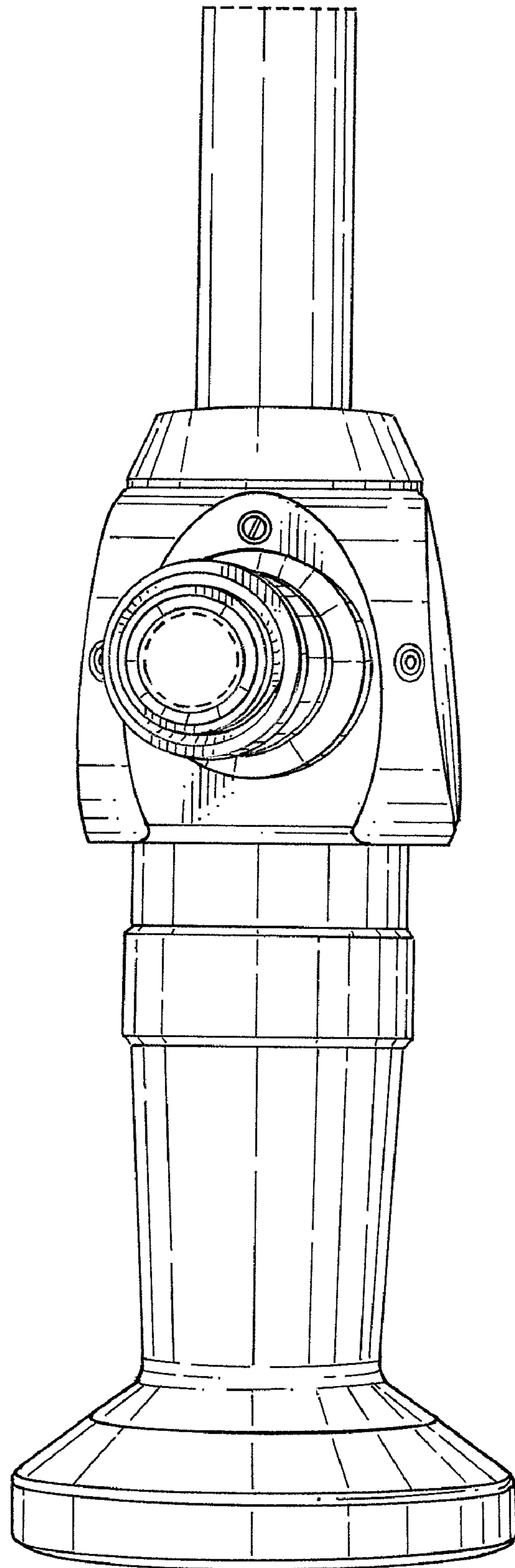


FIG. 5

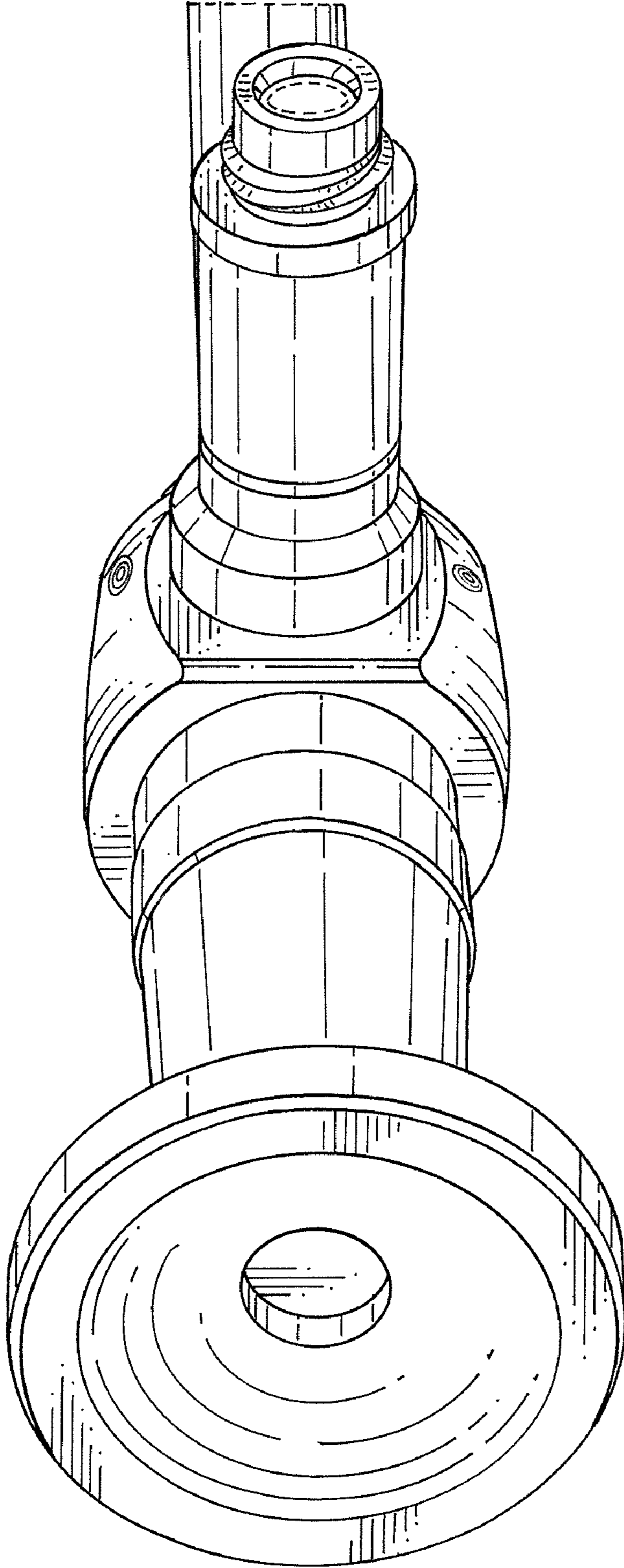


FIG. 6

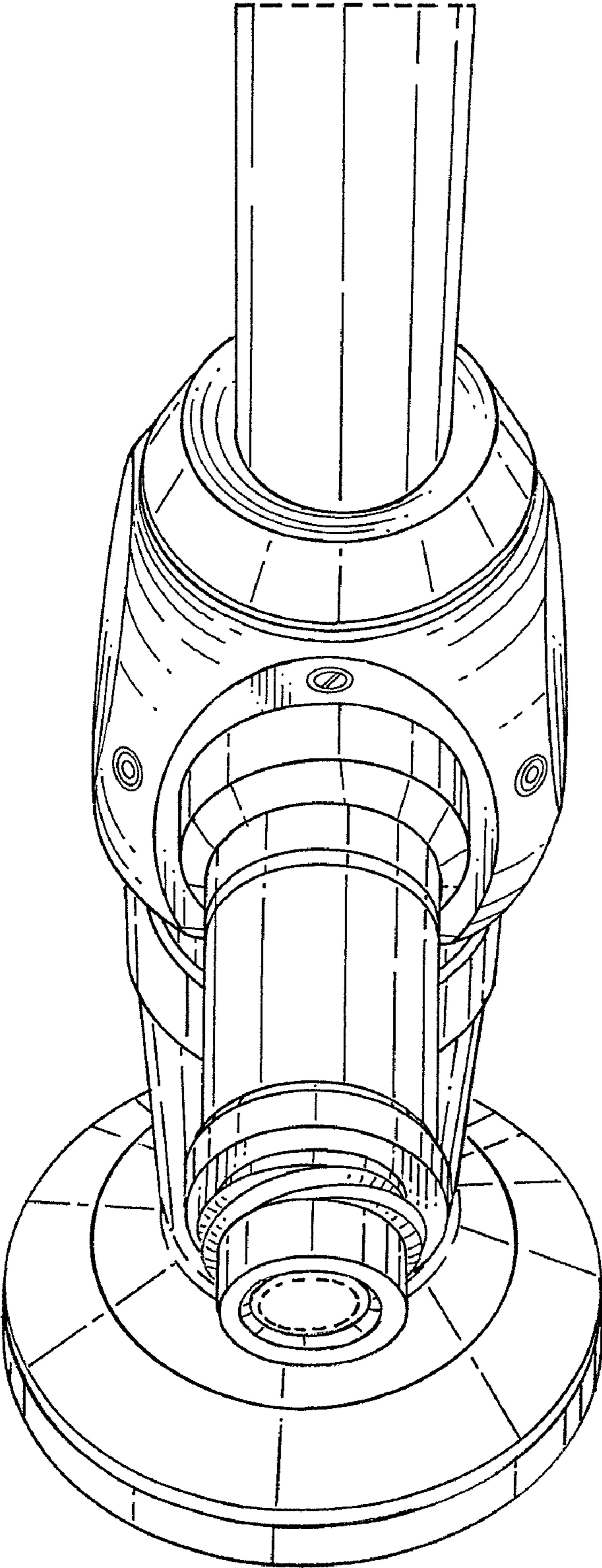


FIG. 7