

US00D669577S

(12) **United States Design Patent**  
**Holsinger**

(10) **Patent No.:** **US D669,577 S**

(45) **Date of Patent:** **\*\* Oct. 23, 2012**

(54) **CANNULA WITH BAND MARKINGS**

(75) **Inventor:** **Damond Carson Holsinger**, Malvern, PA (US)

(73) **Assignee:** **Kimberly-Clark Worldwide, Inc.**, Neenah, WI (US)

(\*\*) **Term:** **14 Years**

(21) **Appl. No.:** **29/193,210**

(22) **Filed:** **Nov. 5, 2003**

(51) **LOC (9) Cl.** ..... **24-02**

(52) **U.S. Cl.** ..... **D24/112**

(58) **Field of Classification Search** ..... D24/130, D24/108, 112, 137, 140, 138, 146; 600/584, 600/101; 604/164.13, 117, 167, 164.01, 604/528, 264

See application file for complete search history.

(56) **References Cited**

**U.S. PATENT DOCUMENTS**

- 3,993,079 A 11/1976 de Gatztañondo
- D269,549 S \* 6/1983 Gross ..... D24/112
- 4,401,124 A 8/1983 Guess et al.
- 4,582,061 A 4/1986 Fry
- 4,760,847 A 8/1988 Vaillancourt
- 4,784,156 A 11/1988 Garg
- 4,832,044 A 5/1989 Garg
- 4,840,184 A 6/1989 Garg
- 4,844,087 A 7/1989 Garg
- 4,869,259 A 9/1989 Elkins
- 4,977,897 A 12/1990 Hurwitz
- 5,048,530 A 9/1991 Hurwitz
- 5,059,197 A \* 10/1991 Urie et al. .... 604/264
- 5,069,665 A 12/1991 Ng
- 5,081,997 A 1/1992 Bosley, Jr. et al.
- 5,100,387 A 3/1992 Ng
- 5,114,401 A 5/1992 Stuart et al.
- 5,195,533 A 3/1993 Chin et al.

- 5,199,441 A 4/1993 Hogle
- 5,201,314 A 4/1993 Bosley, Jr. et al.
- 5,211,644 A \* 5/1993 VanBeek et al. .... 604/264
- 5,289,831 A 3/1994 Bosley
- 5,292,309 A 3/1994 Van Tassel et al.
- 5,383,466 A 1/1995 Partika
- 5,454,881 A 10/1995 Fischer

(Continued)

**FOREIGN PATENT DOCUMENTS**

CA 1186399 4/1985

(Continued)

**OTHER PUBLICATIONS**

U.S. Appl. No. 29/181,846, filed May 16, 2003, by Damond C. Holsinger for "Cannula Having Band Markings".

(Continued)

*Primary Examiner* — David Muller

(74) *Attorney, Agent, or Firm* — Karl V. Sidor; William W. Letson

(57) **CLAIM**

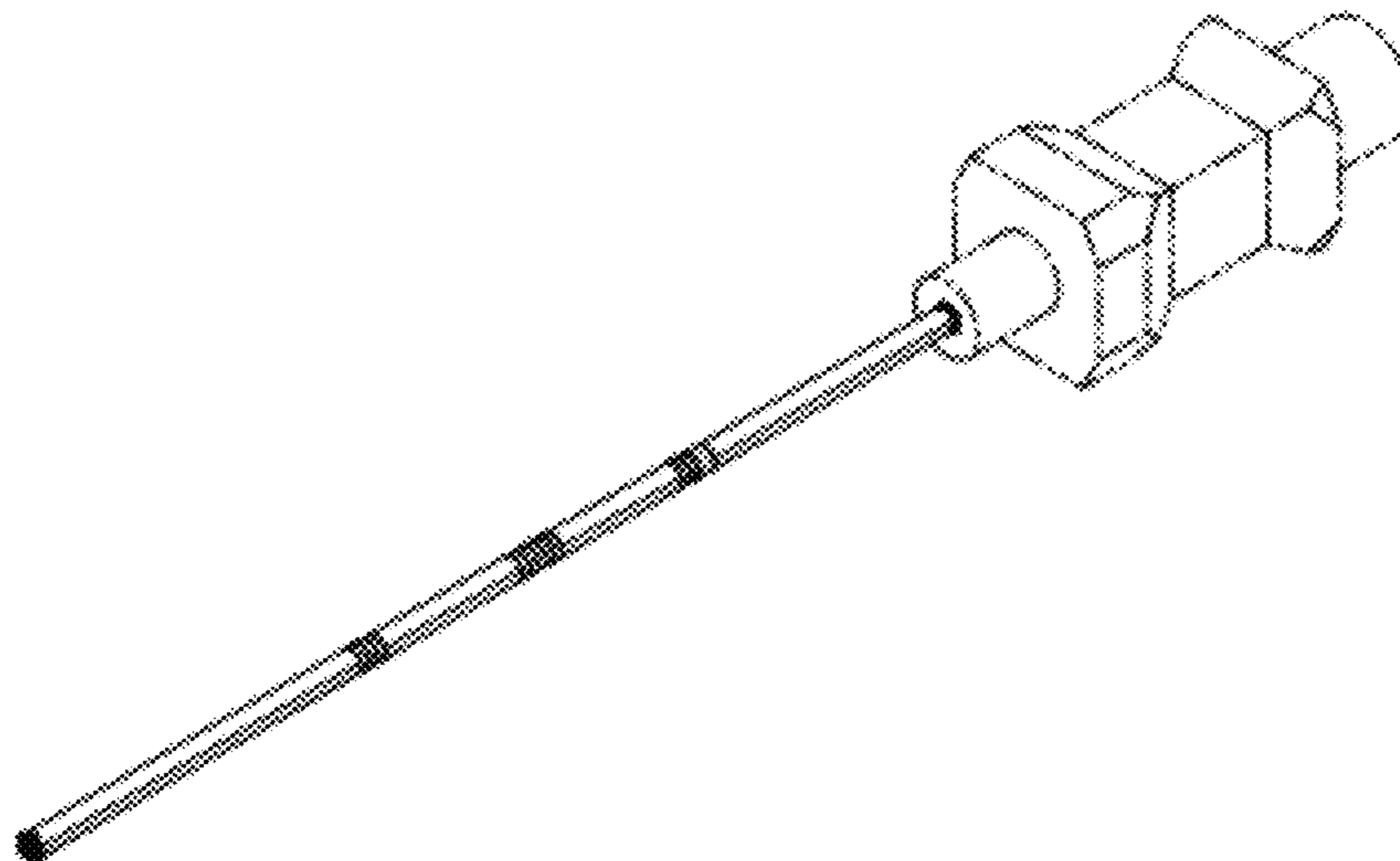
I claim the ornamental design for a cannula with band markings, as shown and described.

**DESCRIPTION**

FIG. 1 is an isometric view of cannula with band markings which embodies our design;  
FIG. 2 is a top view of the FIG. 1 design; the bottom view and side views being the same;  
FIG. 3 is an end view of the FIG. 1 design; and,  
FIG. 4 is an enlarged view of FIG. 3, the view being enlarged to show detail.

The broken lines showing portions of a hub in FIGS. 1-4 are environmental only and form no part of the claimed design.

**1 Claim, 1 Drawing Sheet**



# US D669,577 S

Page 2

## U.S. PATENT DOCUMENTS

5,490,521 A 2/1996 Davis et al.  
5,527,332 A 6/1996 Clement  
5,611,345 A 3/1997 Hibbeln  
5,695,479 A 12/1997 Jagpal  
5,728,124 A 3/1998 Cockburn et al.  
5,766,135 A 6/1998 Terwilliger  
5,769,795 A 6/1998 Terwilliger  
5,800,389 A 9/1998 Burney et al.  
5,820,554 A 10/1998 Davis et al.  
5,882,293 A 3/1999 Ouchi  
5,919,172 A 7/1999 Golba, Jr.  
5,921,933 A 7/1999 Sarkis et al.  
5,931,787 A 8/1999 Dietz et al.  
6,018,676 A 1/2000 Davis et al.  
6,053,870 A 4/2000 Fulton, III  
6,053,871 A 4/2000 Cockburn  
6,102,867 A 8/2000 Dietz et al.  
6,106,473 A 8/2000 Violante et al.  
6,110,128 A 8/2000 Andelin et al.  
6,132,406 A 10/2000 Muzzammel  
6,203,524 B1 3/2001 Burney et al.  
6,273,877 B1\* 8/2001 West et al. .... 604/264  
6,306,094 B1 10/2001 Joseph  
6,322,588 B1 11/2001 Ogle et al.  
6,358,211 B1 3/2002 Mamayek  
6,383,183 B1 5/2002 Sekino et al.  
6,447,477 B2 9/2002 Burney et al.  
6,506,156 B1 1/2003 Jones et al.

D469,871 S \* 2/2003 Sand ..... D24/140  
7,179,252 B2\* 2/2007 Agro et al. .... 604/264  
7,250,027 B2\* 7/2007 Barry ..... 604/264  
D551,995 S \* 10/2007 Ahsen-Bore ..... D24/140  
D590,945 S \* 4/2009 Berberich ..... D24/146  
7,534,228 B2\* 5/2009 Williams ..... 604/264  
7,540,865 B2\* 6/2009 Griffin et al. .... 604/264  
7,687,144 B2\* 3/2010 Clark et al. .... 604/164.13  
D636,489 S \* 4/2011 D'Agostino et al. .... D24/130  
2002/0177776 A1 11/2002 Crawford Kellar et al.

## FOREIGN PATENT DOCUMENTS

CA 1222313 5/1987  
CA 2022464 3/1995  
CA 2219161 10/1996  
CA 2122682 7/1997  
CA 2210670 1/1998  
CA 2152061 8/1999  
CA 2340746 2/2000  
EP 0 552 924 B1 7/1998  
EP 1 132 049 A1 9/2001  
WO WO 01/21249 3/2001

## OTHER PUBLICATIONS

U.S. Appl. No. 29/181,848, filed May 16, 2003, by Damond C. Holsinger for "Cannula With Band Markings."

\* cited by examiner

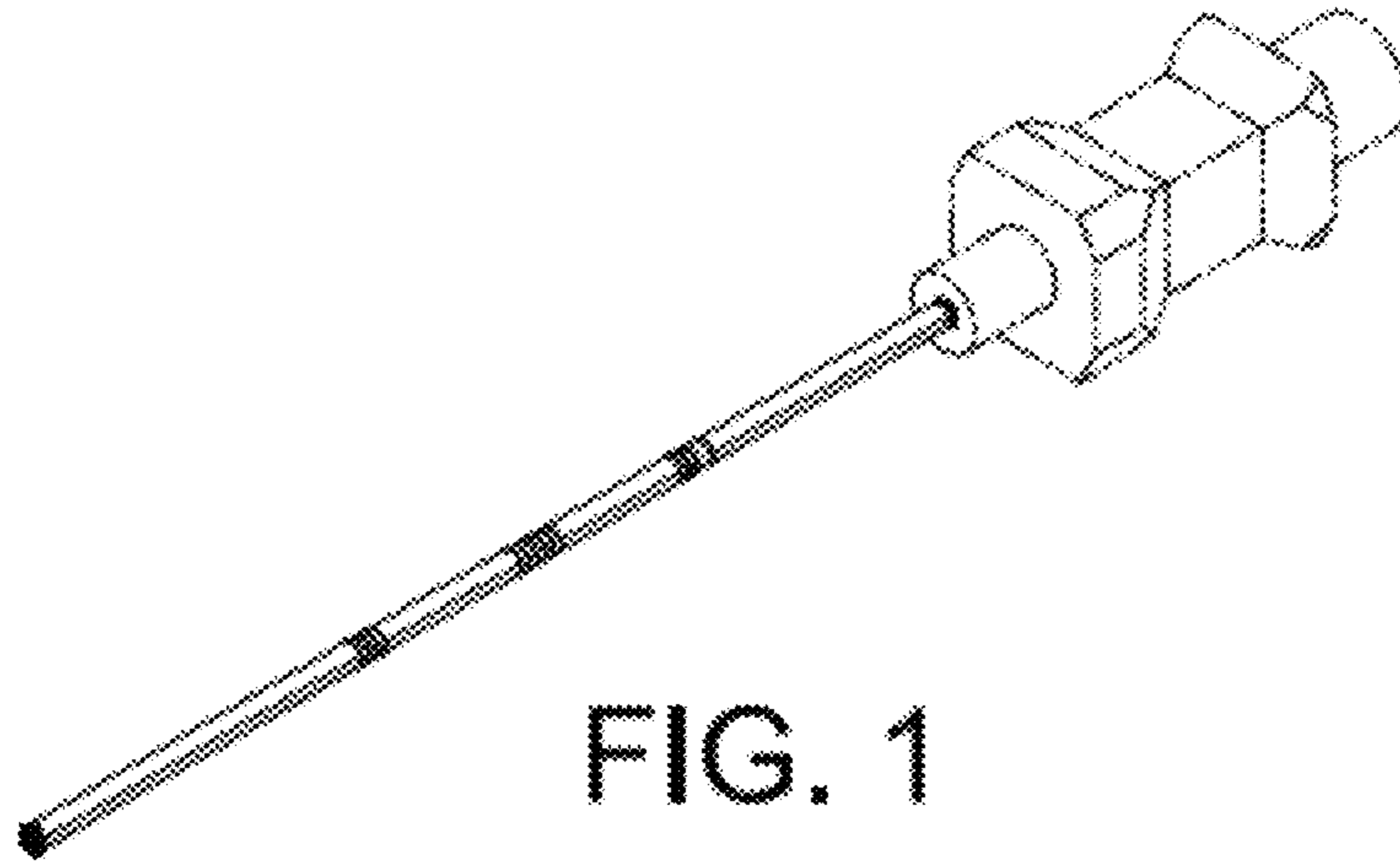


FIG. 1

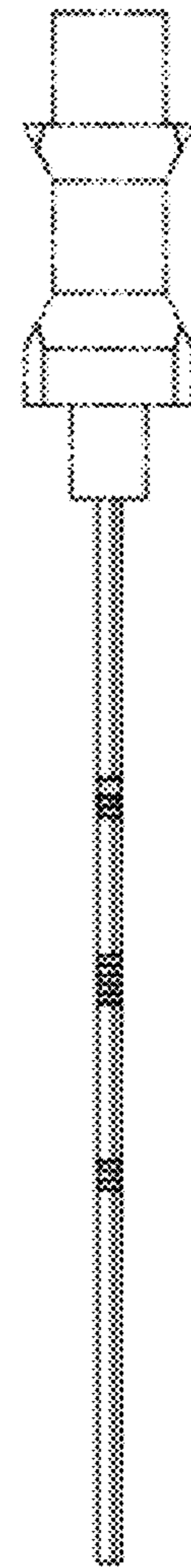


FIG. 2

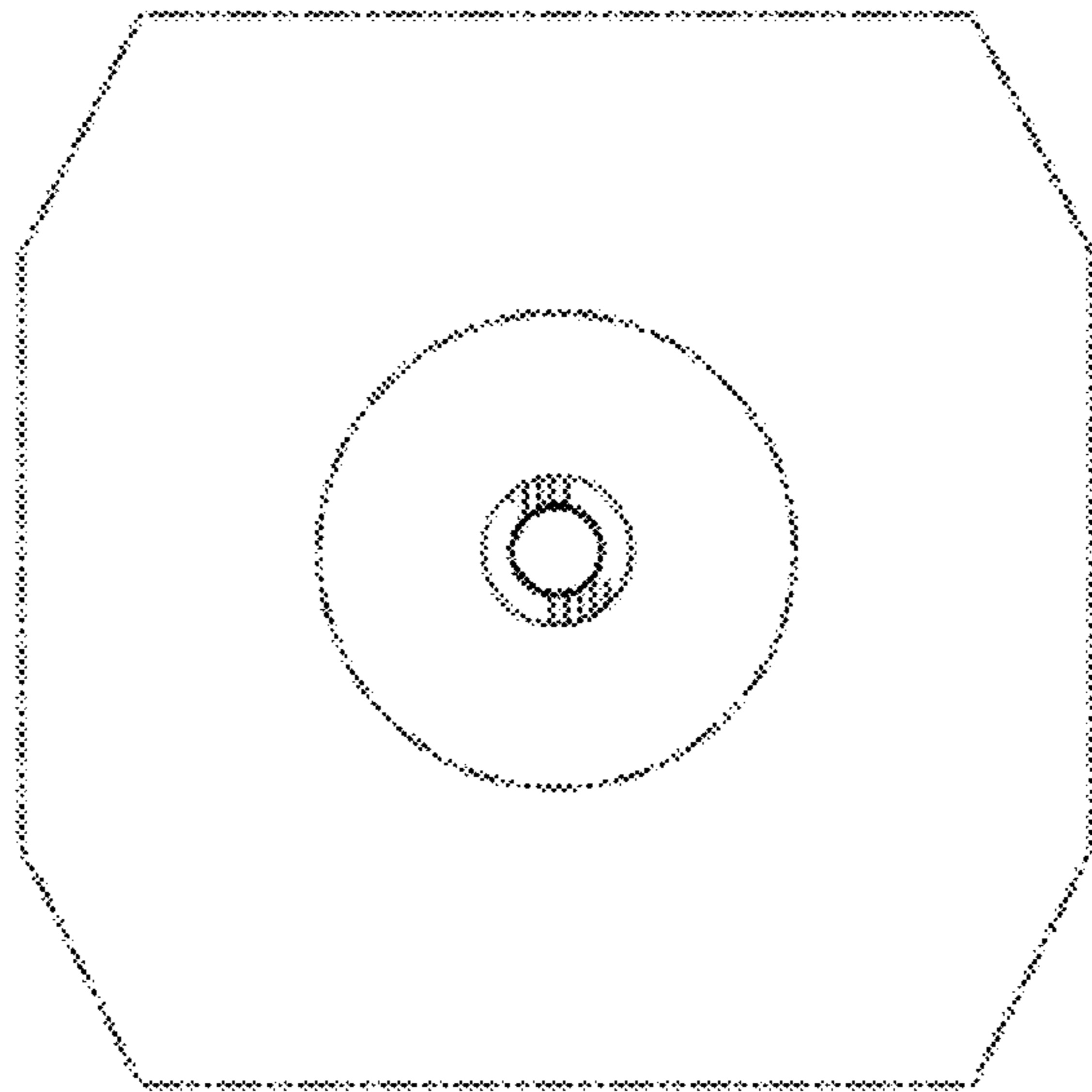


FIG. 4

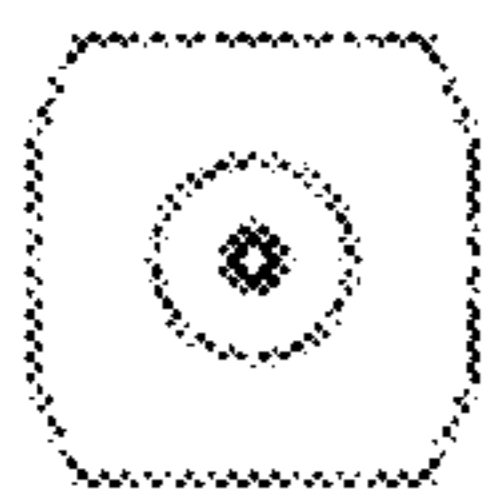


FIG. 3