



US00D669576S

(12) **United States Design Patent**  
**Smart et al.**

(10) **Patent No.:** **US D669,576 S**

(45) **Date of Patent:** **\*\* Oct. 23, 2012**

(54) **RESPIRATORY MASK FRAME**

(75) Inventors: **Gregory Scott Smart**, Randwick (AU);  
**Christopher Scott Skipper**, West Ryde  
(AU); **Timothy Shawn Nelson**,  
Marrickville (AU); **Alison Oldenburg**,  
Crows Nest (AU)

(73) Assignee: **ResMed Limited**, Bella Vista (AU)

(\*\*) Term: **14 Years**

(21) Appl. No.: **29/408,945**

(22) Filed: **Dec. 19, 2011**

**Related U.S. Application Data**

(60) Continuation of application No. 29/311,246, filed on  
Jan. 28, 2009, now Pat. No. Des. 652,909, which is a  
division of application No. 29/258,791, filed on Apr.  
28, 2006, now Pat. No. Des. 597,199.

(51) **LOC (9) Cl.** ..... **29-02**

(52) **U.S. Cl.** ..... **D24/110.1**

(58) **Field of Classification Search** ... D24/110.1-110.5;  
128/207.18, 207.13, 207.11, 206.21, 206.11,  
128/206.12, 200.24, 204.18, 204.23, 205.25  
See application file for complete search history.

(56) **References Cited**

**U.S. PATENT DOCUMENTS**

443,191	A	12/1890	Illing
1,125,542	A	1/1915	Humphries
3,670,726	A	6/1972	Mahon et al.
3,739,774	A	6/1973	Gregory
3,754,552	A	8/1973	King
3,861,385	A	1/1975	Carden
3,902,486	A	9/1975	Guichard
3,905,361	A	9/1975	Hewson et al.
4,156,426	A	5/1979	Gold

(Continued)

**FOREIGN PATENT DOCUMENTS**

DE 146688 2/1981

(Continued)

**OTHER PUBLICATIONS**

Mask Frame for Mirage Liberty TM CPAP/BiLevel Masks. ResMed.  
Copyright 2004-2012 {retrieved on Mar. 14, 2012}. Retrieved from  
the Internet: <URL: <http://www.cpapxchange.com/frameonly-mirageliberty-cpap-bilevel-mask.html>>.\*

(Continued)

*Primary Examiner* — Wan Laymon

(74) *Attorney, Agent, or Firm* — Nixon & Vanderhye P.C.

(57) **CLAIM**

The ornamental design for a respiratory mask frame, as  
shown and described.

**DESCRIPTION**

FIG. 1 is a front perspective view of a respiratory mask frame  
according to a first embodiment showing our new ornamental  
design;

FIG. 2 is a reverse perspective view thereof;

FIG. 3 is a front view thereof;

FIG. 4 is a rear view thereof;

FIG. 5 is a top view thereof;

FIG. 6 is a bottom view thereof;

FIG. 7 is a right side view thereof;

FIG. 8 is a left side view thereof;

FIG. 9 is a front perspective view of a respiratory mask frame  
according to a second embodiment showing our new orna-  
mental design, with the vent portions portrayed in broken  
lines;

FIG. 10 is a reverse perspective view thereof;

FIG. 11 is a front view thereof;

FIG. 12 is a rear view thereof;

FIG. 13 is a top view thereof;

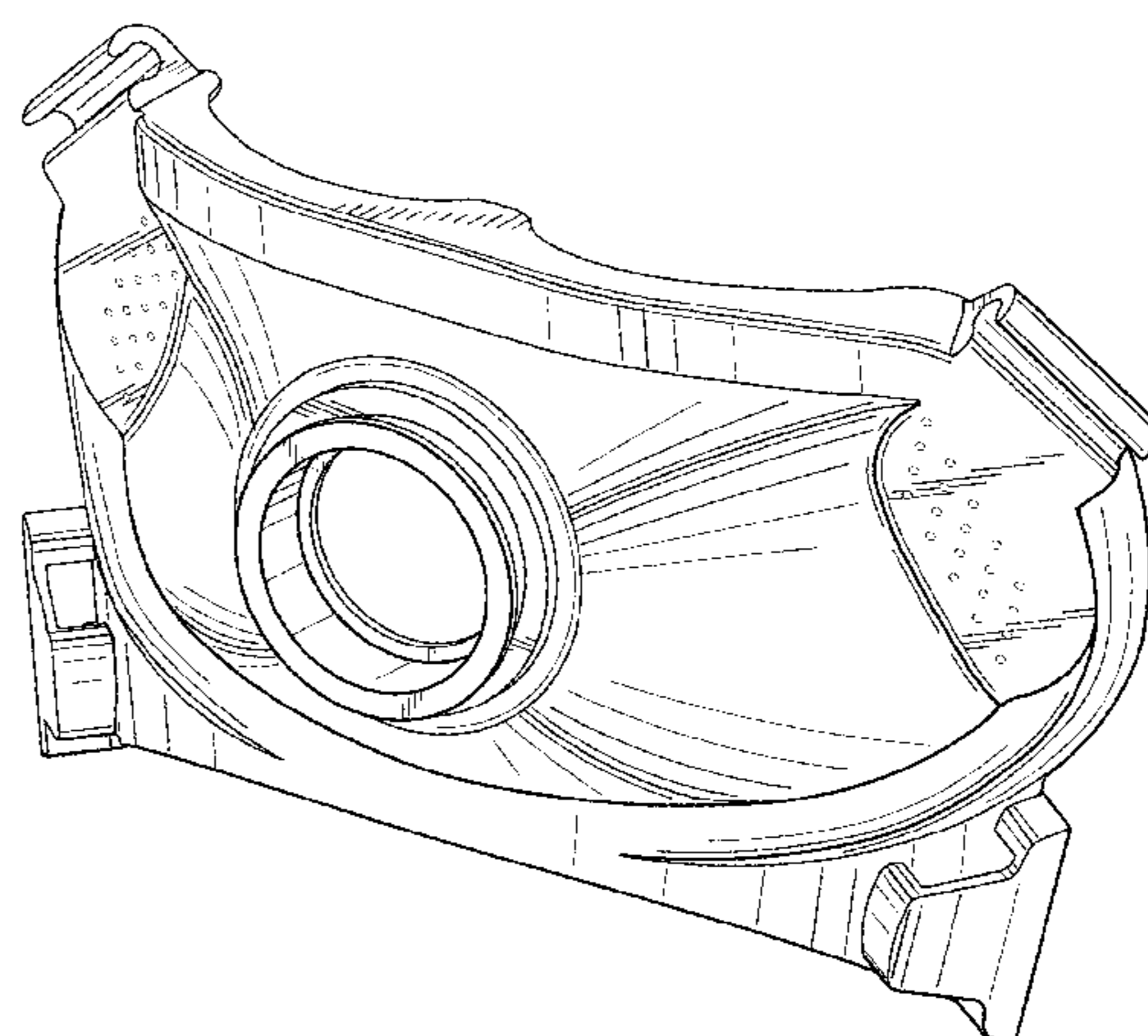
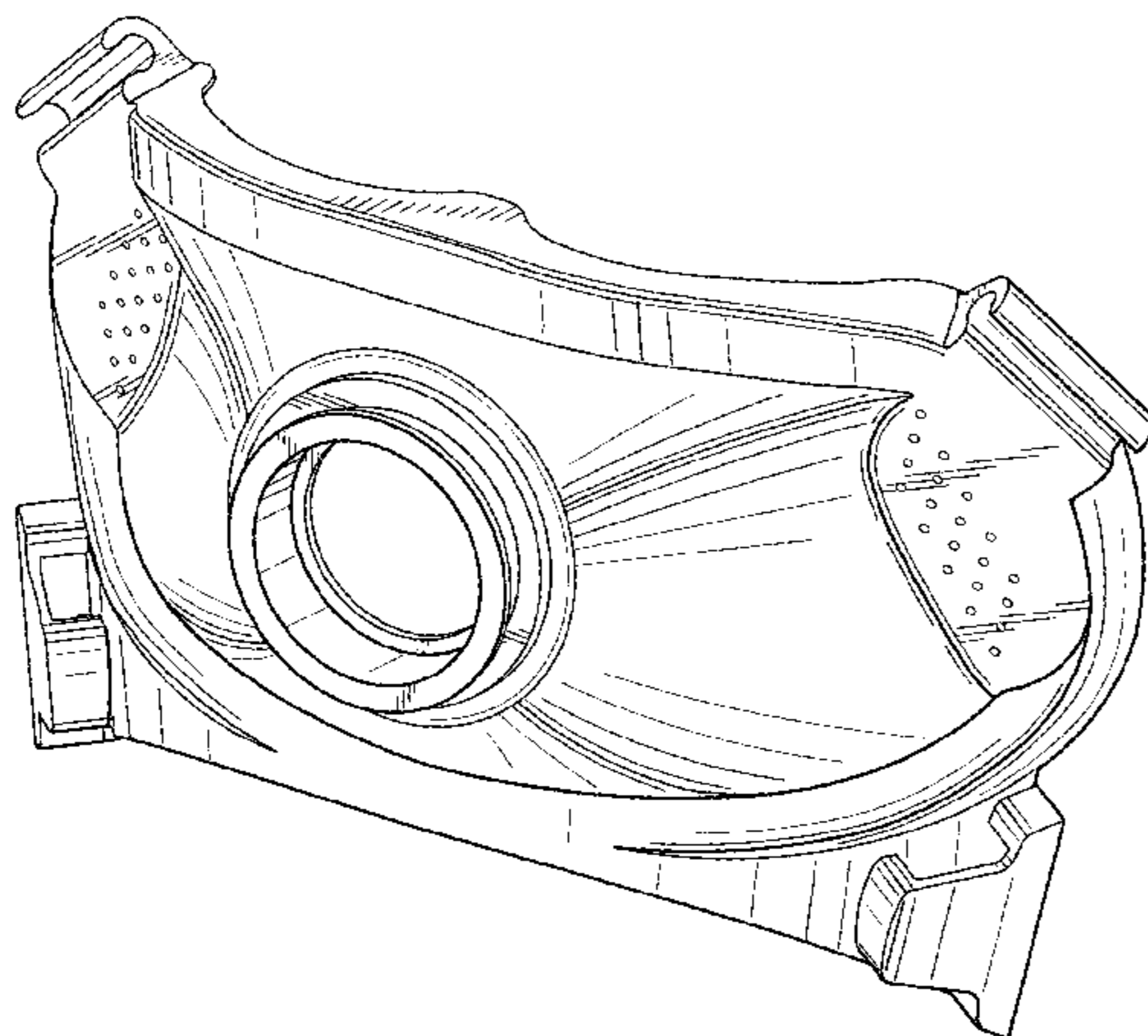
FIG. 14 is a bottom view thereof;

FIG. 15 is a right side view thereof; and,

FIG. 16 is a left side view thereof.

The broken lines of the respiratory mask frame are for illus-  
trative purposes only to indicate environmental surroundings  
and do not constitute a portion of the claimed design.

**1 Claim, 8 Drawing Sheets**



U.S. PATENT DOCUMENTS

4,267,845 A 5/1981 Robertson, Jr. et al.  
 4,273,124 A 6/1981 Zimmerman  
 4,312,359 A 1/1982 Olson  
 4,367,735 A 1/1983 Dali  
 4,367,816 A 1/1983 Wilkes  
 4,406,283 A 9/1983 Bir  
 4,422,456 A 12/1983 Teip  
 4,493,614 A 1/1985 Chu et al.  
 4,549,542 A 10/1985 Chien  
 4,587,967 A 5/1986 Chu et al.  
 4,601,465 A 7/1986 Roy  
 4,617,637 A 10/1986 Chu et al.  
 4,660,555 A 4/1987 Payton  
 4,699,139 A 10/1987 Marshall et al.  
 4,706,664 A 11/1987 Snook et al.  
 4,753,233 A 6/1988 Grimes  
 4,774,946 A 10/1988 Ackerman et al.  
 4,899,740 A 2/1990 Napolitano  
 4,915,105 A 4/1990 Lee  
 4,996,983 A 3/1991 Amrhein  
 5,000,173 A 3/1991 Zalkin et al.  
 5,022,900 A 6/1991 Bar-Yona et al.  
 5,025,805 A 6/1991 Nutter  
 5,038,772 A 8/1991 Kolbe et al.  
 5,046,491 A 9/1991 Derrick  
 5,074,297 A 12/1991 Venegas  
 5,113,857 A 5/1992 Dickerman et al.  
 5,121,745 A 6/1992 Israel  
 5,127,397 A 7/1992 Kohnke  
 5,137,017 A 8/1992 Salter  
 D333,015 S 2/1993 Farmer et al.  
 5,188,101 A 2/1993 Tumolo  
 5,265,592 A 11/1993 Beaussant  
 5,265,595 A 11/1993 Rudolph  
 5,269,296 A 12/1993 Landis  
 5,271,391 A 12/1993 Graves  
 5,299,599 A 4/1994 Farmer et al.  
 5,335,656 A 8/1994 Bowe et al.  
 5,355,893 A 10/1994 Mick et al.  
 5,372,130 A 12/1994 Stem et al.  
 5,375,593 A 12/1994 Press  
 D354,128 S 1/1995 Rinehart  
 5,385,141 A 1/1995 Granatiero  
 5,394,568 A 3/1995 Brostrom et al.  
 5,396,885 A 3/1995 Nelson  
 5,398,676 A 3/1995 Press et al.  
 5,400,776 A 3/1995 Bartholomew  
 5,425,359 A 6/1995 Liou  
 5,437,267 A 8/1995 Weinstein et al.  
 5,509,409 A 4/1996 Weatherholt  
 5,526,806 A 6/1996 Sansoni  
 5,533,506 A 7/1996 Wood  
 5,560,354 A 10/1996 Berthon-Jones et al.  
 5,682,881 A 11/1997 Winthrop et al.  
 5,740,799 A 4/1998 Nielson  
 5,794,619 A 8/1998 Edeiman et al.  
 5,906,203 A 5/1999 Klockseth et al.  
 5,954,049 A 9/1999 Foley et al.  
 6,123,071 A 9/2000 Berthon-Jones et al.  
 6,357,441 B1 3/2002 Kwok et al.  
 6,431,172 B1 8/2002 Bordewick  
 6,439,234 B1 8/2002 Curti et al.  
 6,478,026 B1 11/2002 Wood  
 6,561,188 B1 5/2003 Ellis  
 6,561,193 B1 5/2003 Noble  
 6,571,798 B1 6/2003 Thornton  
 6,581,594 B1 6/2003 Drew et al.  
 6,581,602 B2 6/2003 Kwok et al.

D477,401 S 7/2003 Petherbridge et al.  
 6,595,214 B1 7/2003 Hecker et al.  
 6,595,215 B2 7/2003 Wood  
 6,637,434 B2 10/2003 Noble  
 6,644,315 B2 11/2003 Ziaee  
 6,655,385 B1 12/2003 Curti et al.  
 6,679,265 B2 1/2004 Strickland et al.  
 D486,907 S 2/2004 Guney et al.  
 6,766,800 B2 7/2004 Chu et al.  
 6,823,865 B2 11/2004 Drew et al.  
 D542,407 S 5/2007 Stallard et al.  
 D558,334 S 12/2007 Stallard et al.  
 D567,364 S 4/2008 Smart  
 D576,271 S 9/2008 Gunaratnam et al.  
 D586,908 S 2/2009 Stallard et al.  
 7,487,772 B2 \* 2/2009 Ging et al. .... 128/202.27  
 D597,199 S \* 7/2009 Smart et al. .... D24/110.1  
 7,743,767 B2 \* 6/2010 Ging et al. .... 128/206.24  
 D623,288 S \* 9/2010 Lubke et al. .... D24/110.1  
 D635,247 S 3/2011 Scheiner et al.  
 D635,661 S 4/2011 Stallard et al.  
 8,042,539 B2 \* 10/2011 Chandran et al. .... 128/206.28  
 2002/0046755 A1 4/2002 DeVoss  
 2002/0124849 A1 9/2002 Billette De Villemeur  
 2003/0079749 A1 5/2003 Strickland et al.  
 2003/0196656 A1 \* 10/2003 Moore et al. .... 128/201.22  
 2003/0196658 A1 10/2003 Ging et al.  
 2004/0112384 A1 6/2004 Lithgow et al.  
 2005/0028822 A1 2/2005 Sleeper et al.  
 2005/0033247 A1 2/2005 Thompson  
 2005/0051176 A1 3/2005 Riggins  
 2005/0061326 A1 3/2005 Payne, Jr.  
 2006/0124131 A1 6/2006 Chandran et al.  
 2006/0174887 A1 \* 8/2006 Chandran et al. .... 128/206.11  
 2006/0283461 A1 \* 12/2006 Lubke et al. .... 128/207.11  
 2007/0272249 A1 \* 11/2007 Chandran et al. .... 128/206.28  
 2009/0151729 A1 \* 6/2009 Judson et al. .... 128/207.13  
 2011/0056497 A1 \* 3/2011 Scheiner et al. .... 128/206.24

FOREIGN PATENT DOCUMENTS

DE 37 19 009 12/1988  
 DE 199 44 242 3/2001  
 EP 0 658 356 6/1995  
 GB 532214 1/1941  
 GB 2 368 533 5/2002  
 GB 3014186 \* 9/2003  
 JP 463702 5/1971  
 JP 463703 6/1971  
 WO WO 01/97892 12/2001  
 WO WO 2005/063328 7/2005

OTHER PUBLICATIONS

Smart et al. Parent U.S. Appl. No. 29/311,246, filed Jan. 28, 2009.  
 Respiroics Co.—Mask Family—<http://maskfamily.respiroics.com/> viewed on Jul. 24, 2006.  
 ResMed Co.—Mask Products—<http://resmed.com/portal/site/ResMedUS/index.jsp?...> viewed on Jul. 24, 2006.  
 Fisher and Paykel Co.—Product Family—<http://www.fphcare.com/osa/products.asp/> viewed on Jul. 24, 2006.  
 Hans Rudolph, Inc.—Mask Products—<http://www.rudolphke.com/products.php?category=MASKS> viewed on Jul. 24, 2006.  
 Snapp Nasal Interface, Tiara Medical Systems, Inc.—[http://www.tiaramed.com/asp\\_shops/shopdisplayproducts.asp?id=109&cat=SNAPP%2A+Nasal+Interface](http://www.tiaramed.com/asp_shops/shopdisplayproducts.asp?id=109&cat=SNAPP%2A+Nasal+Interface) viewed on Jul. 24, 2006.  
 U.S. Appl. No. 60/634,802, filed Dec. 10, 2004.  
 U.S. Appl. No. 60/645,672, filed Jan. 21, 2005.

\* cited by examiner

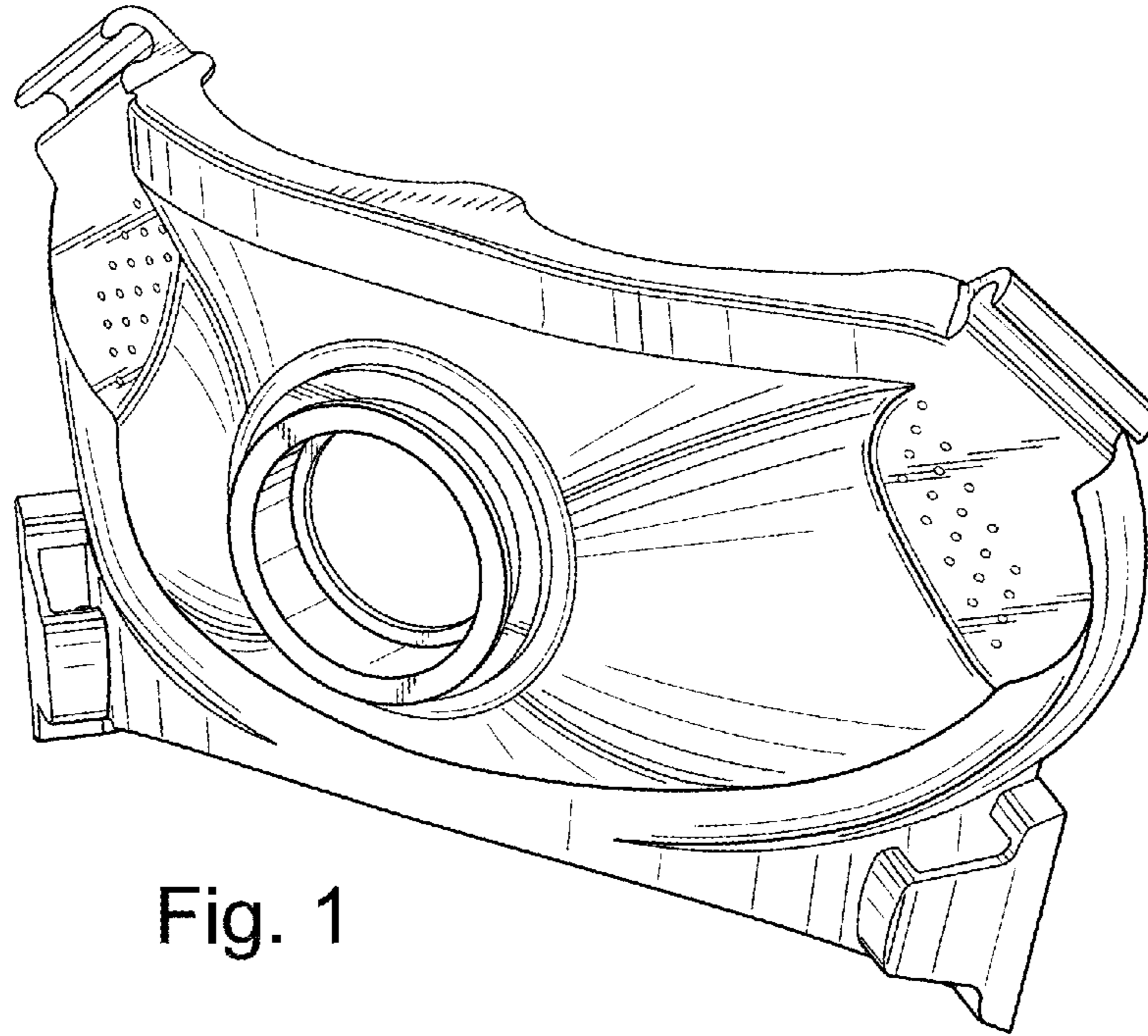


Fig. 1

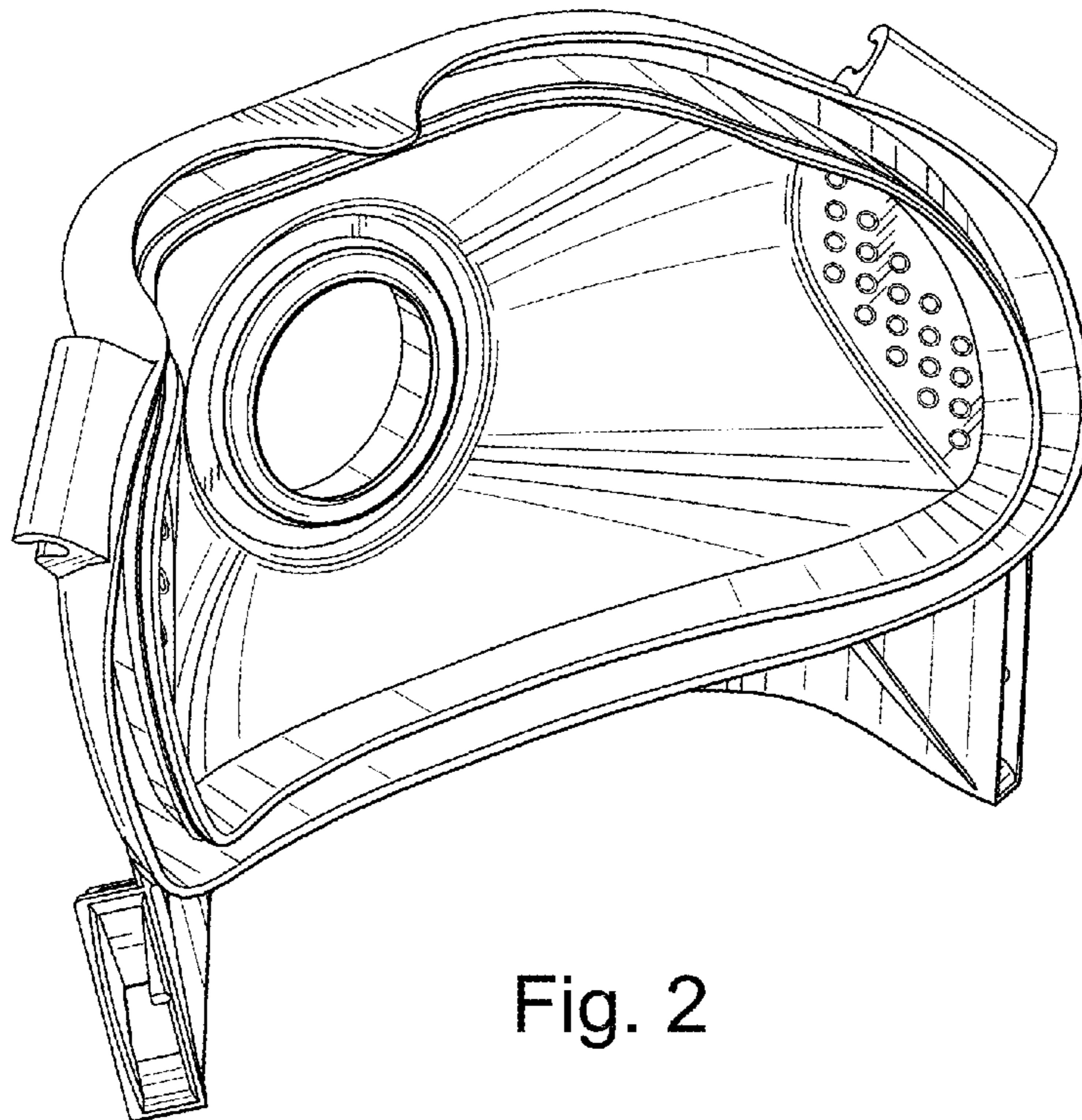


Fig. 2

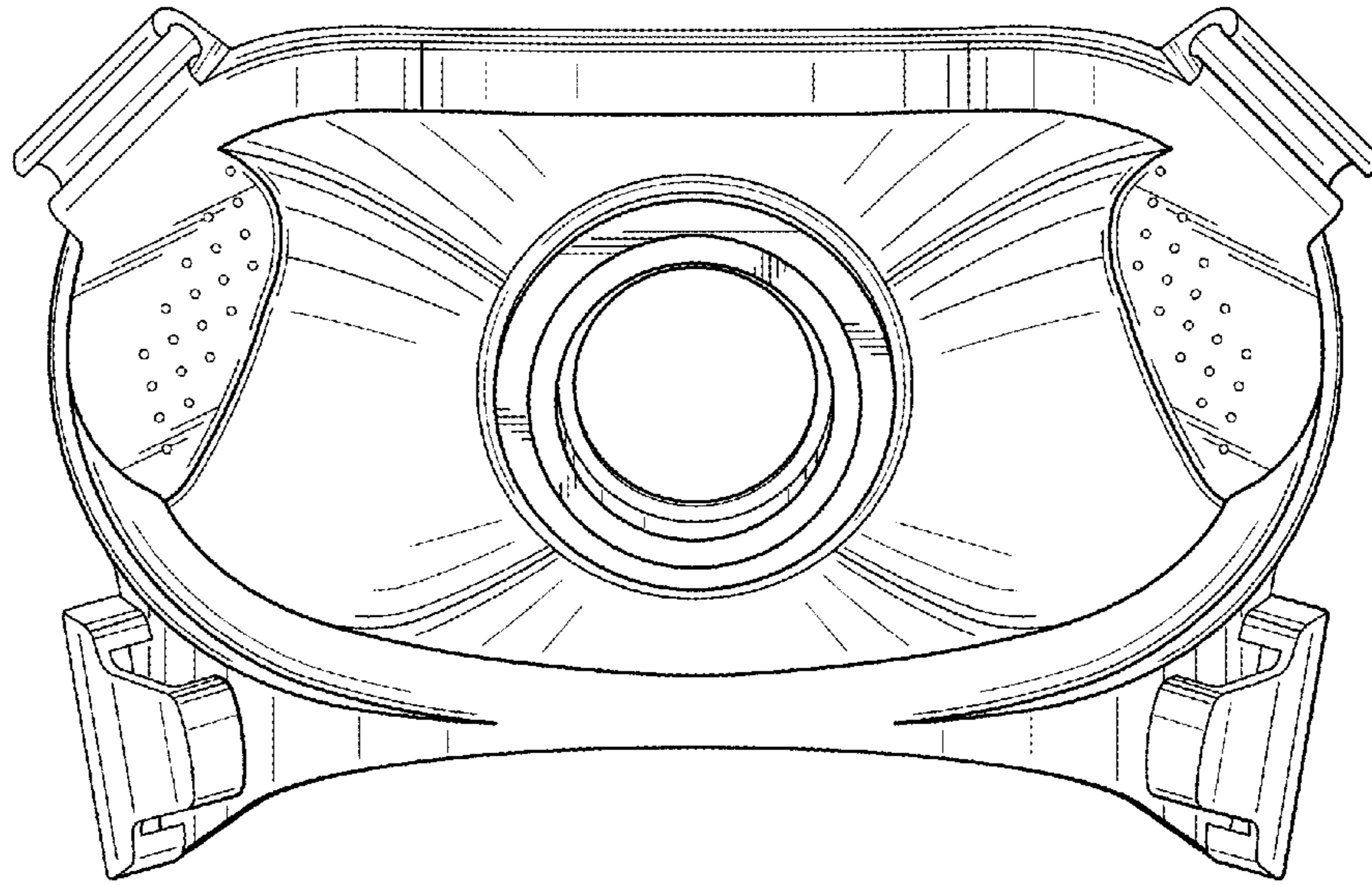


Fig. 3

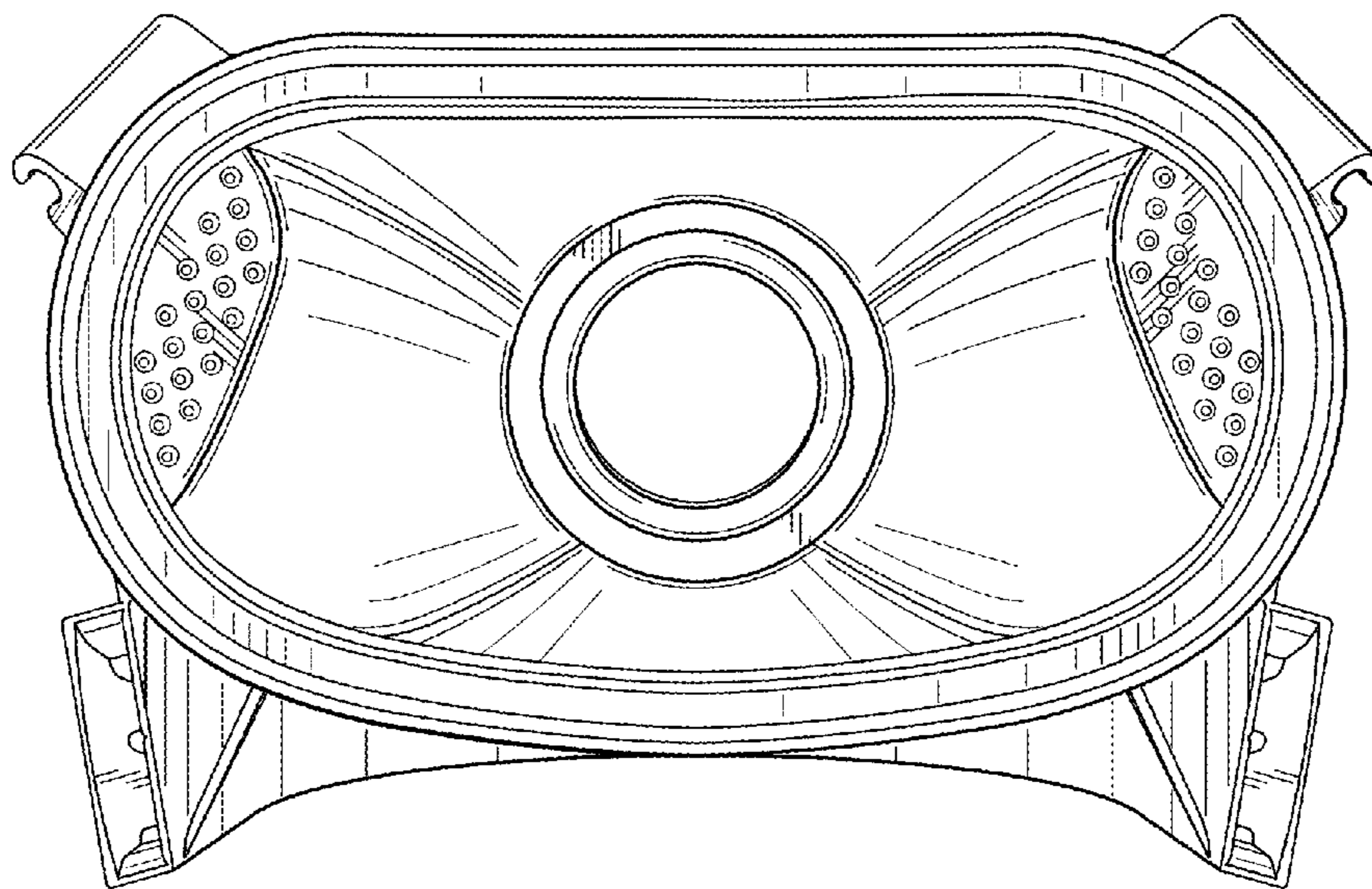


Fig. 4

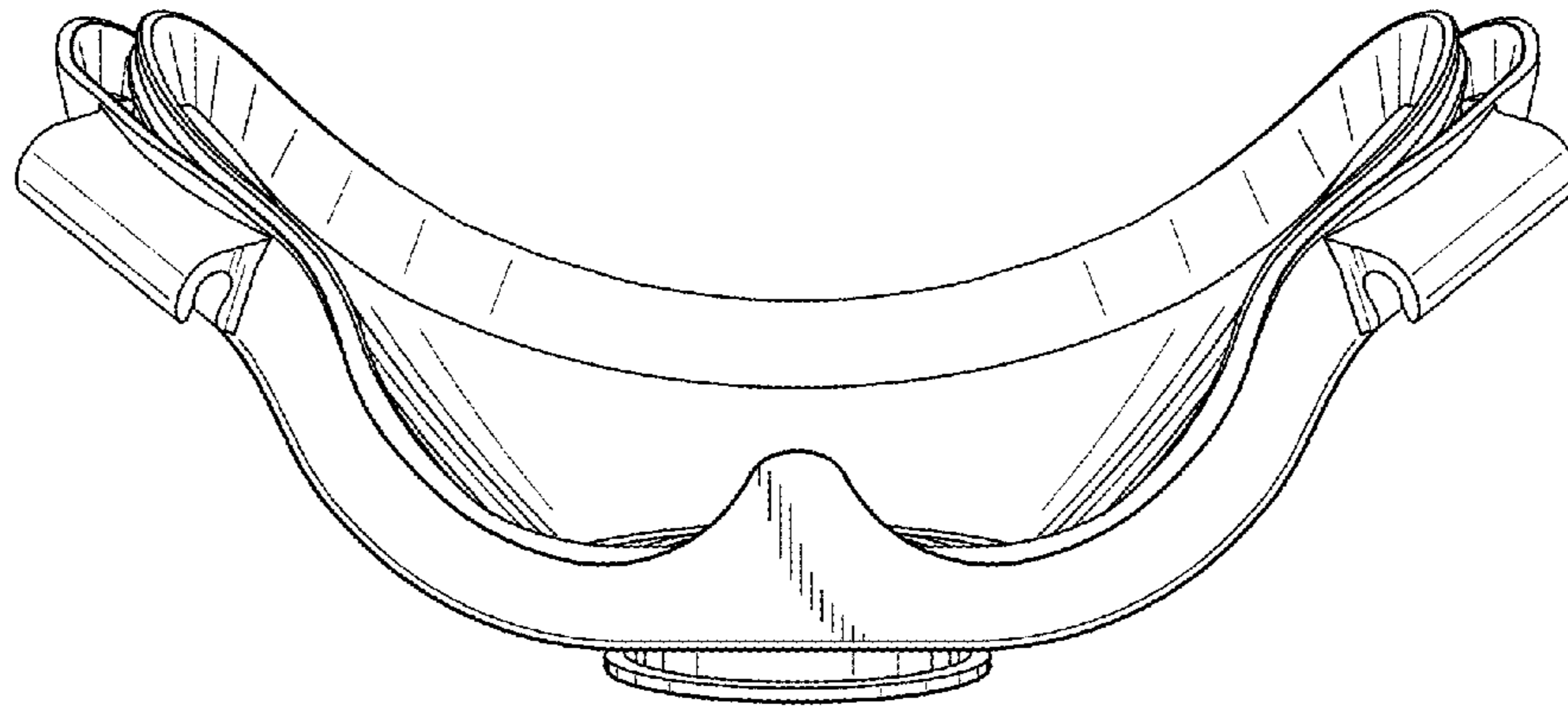


Fig. 5

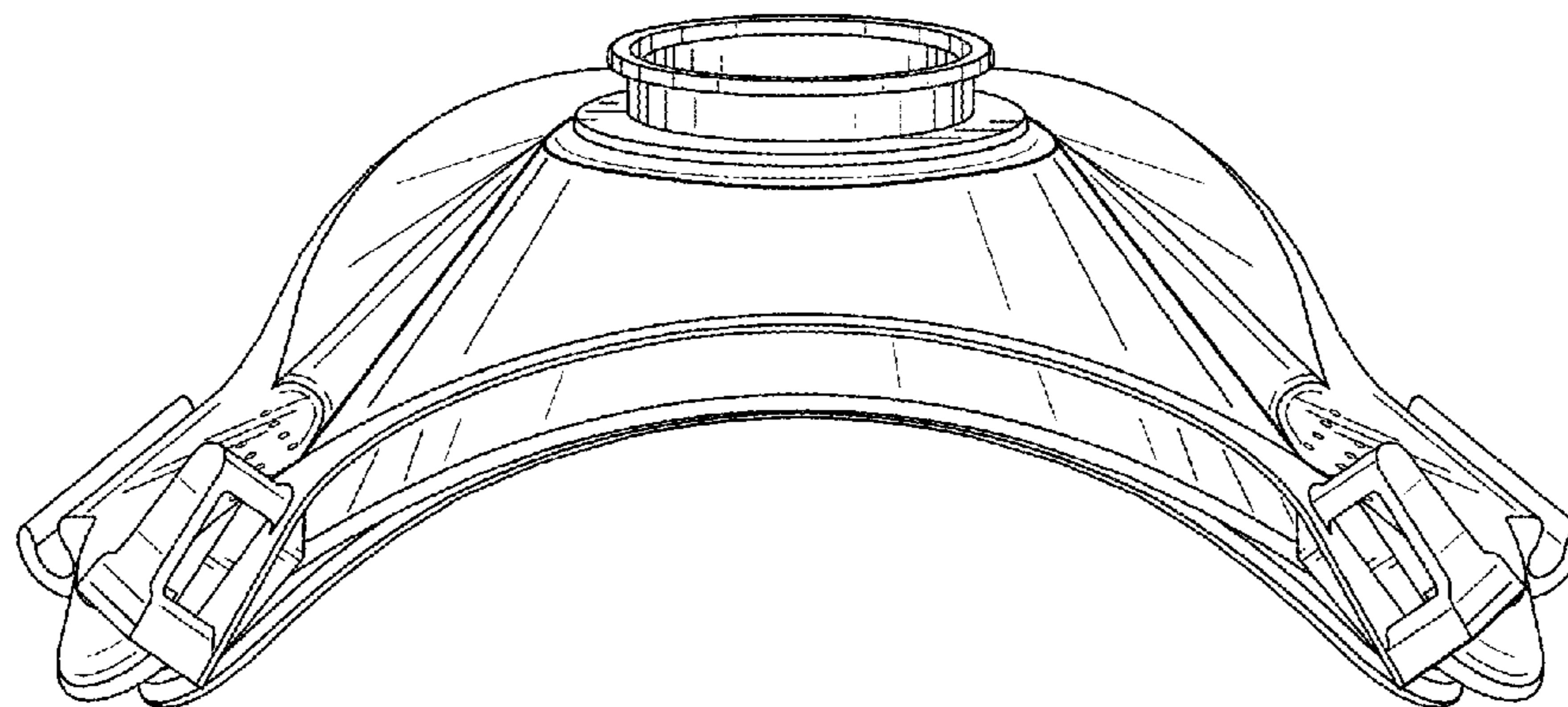


Fig. 6

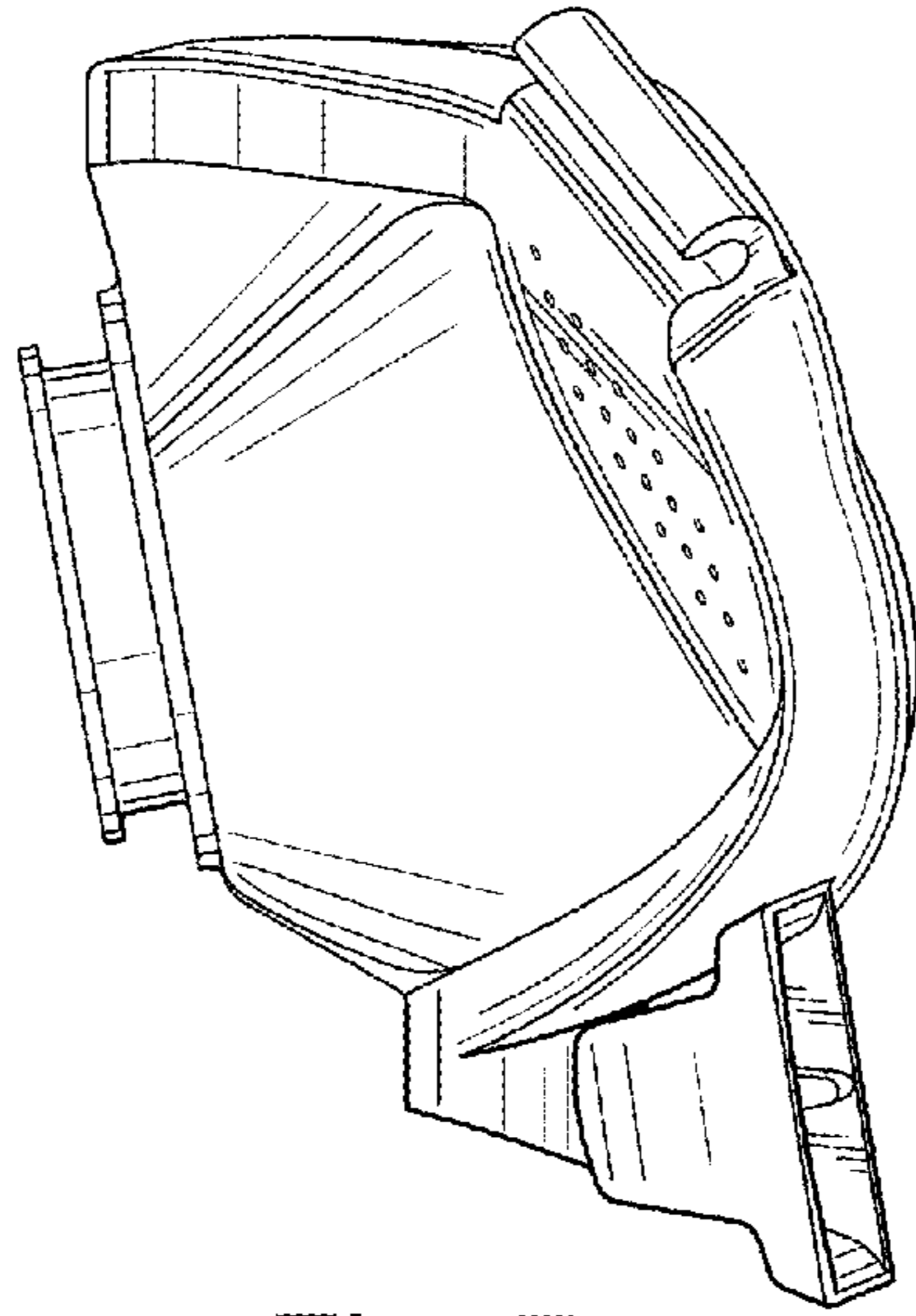


Fig. 7

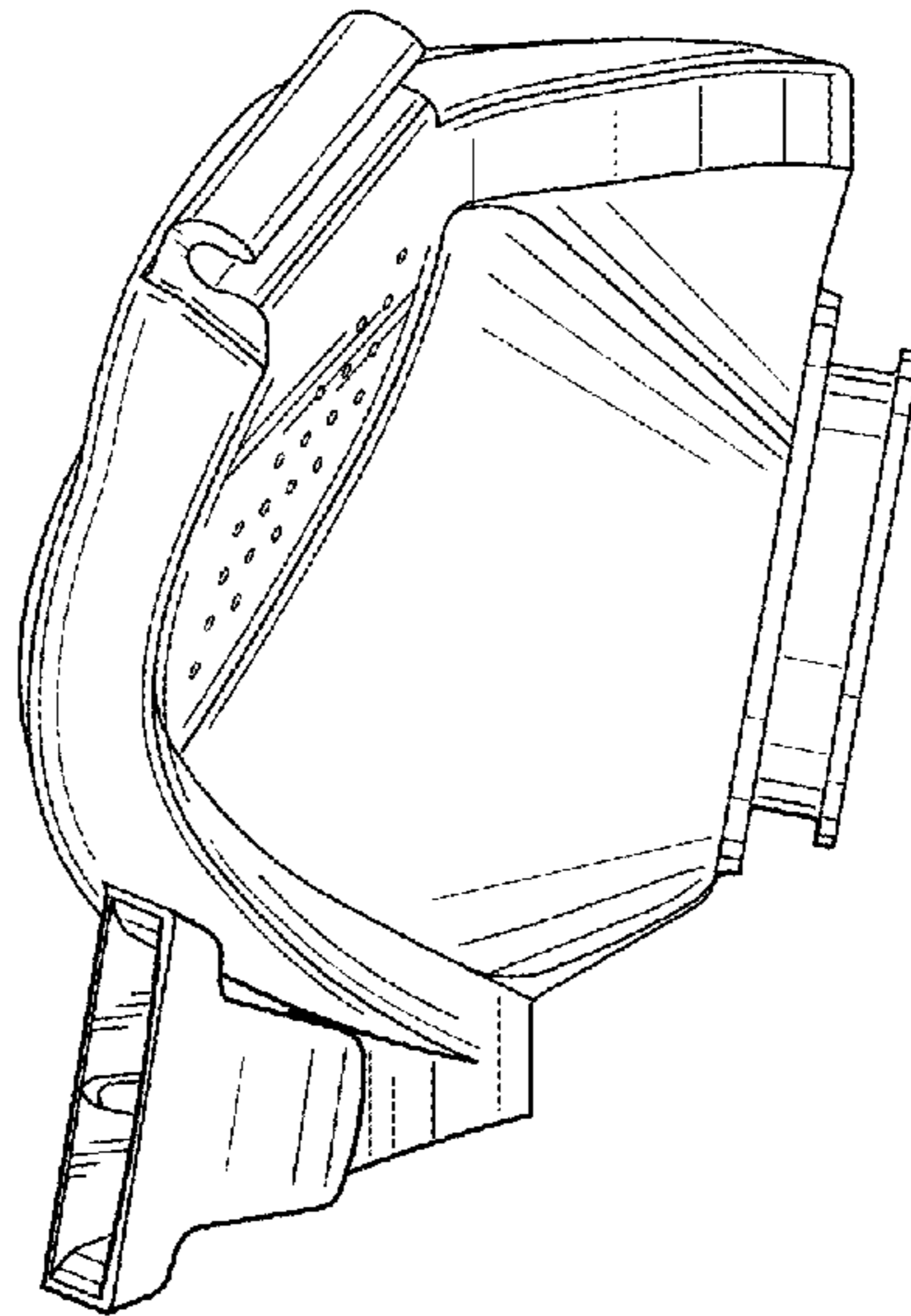


Fig. 8

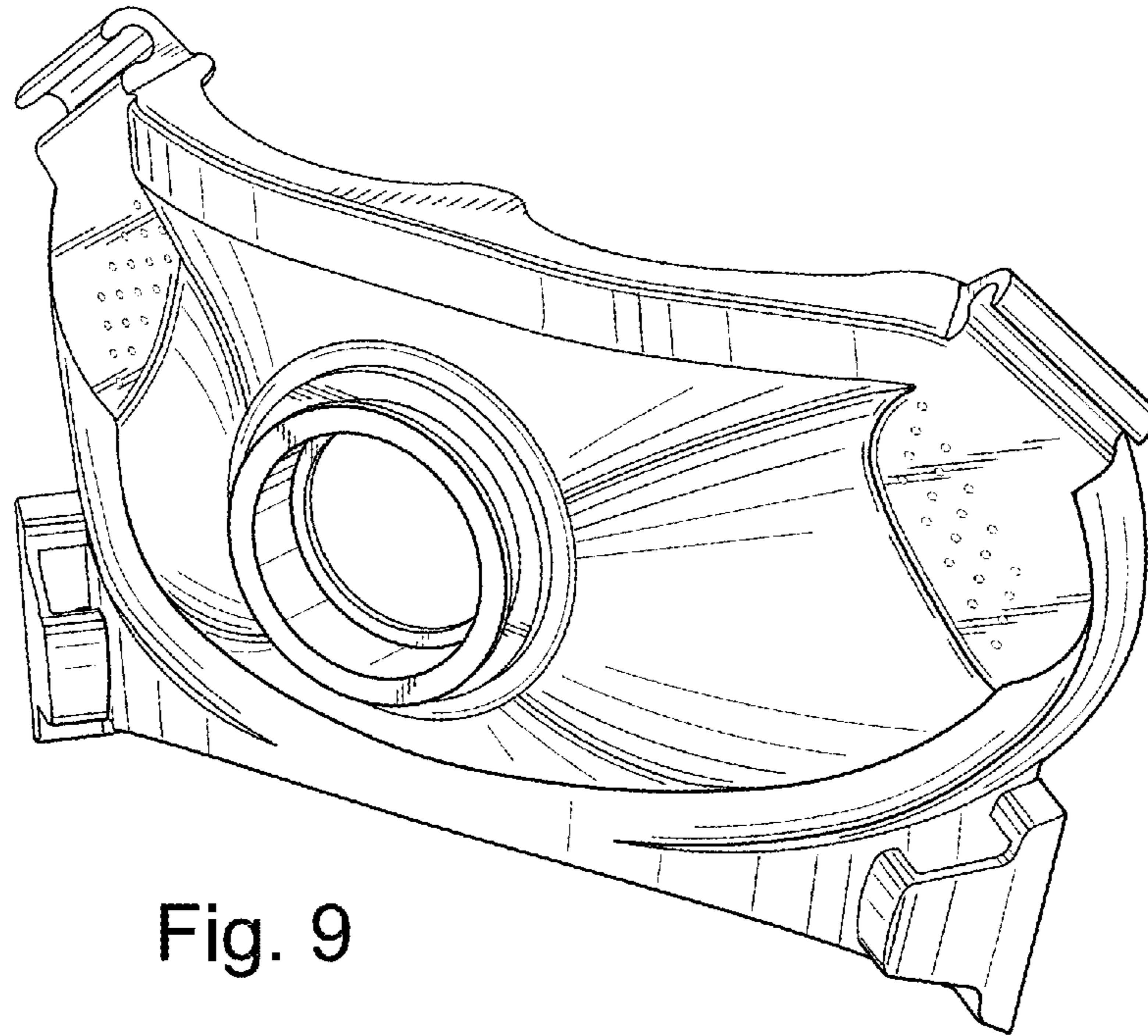


Fig. 9

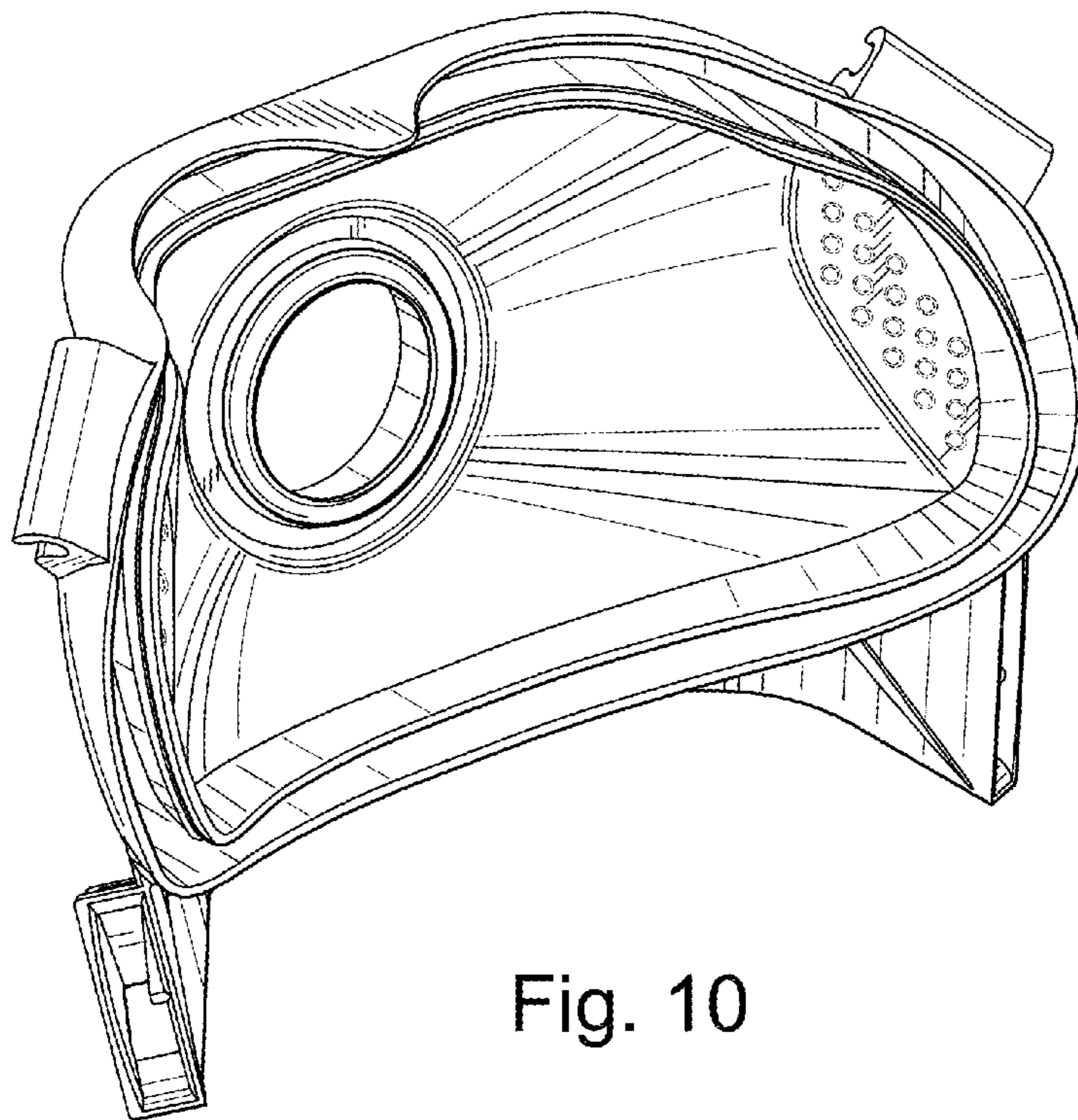


Fig. 10

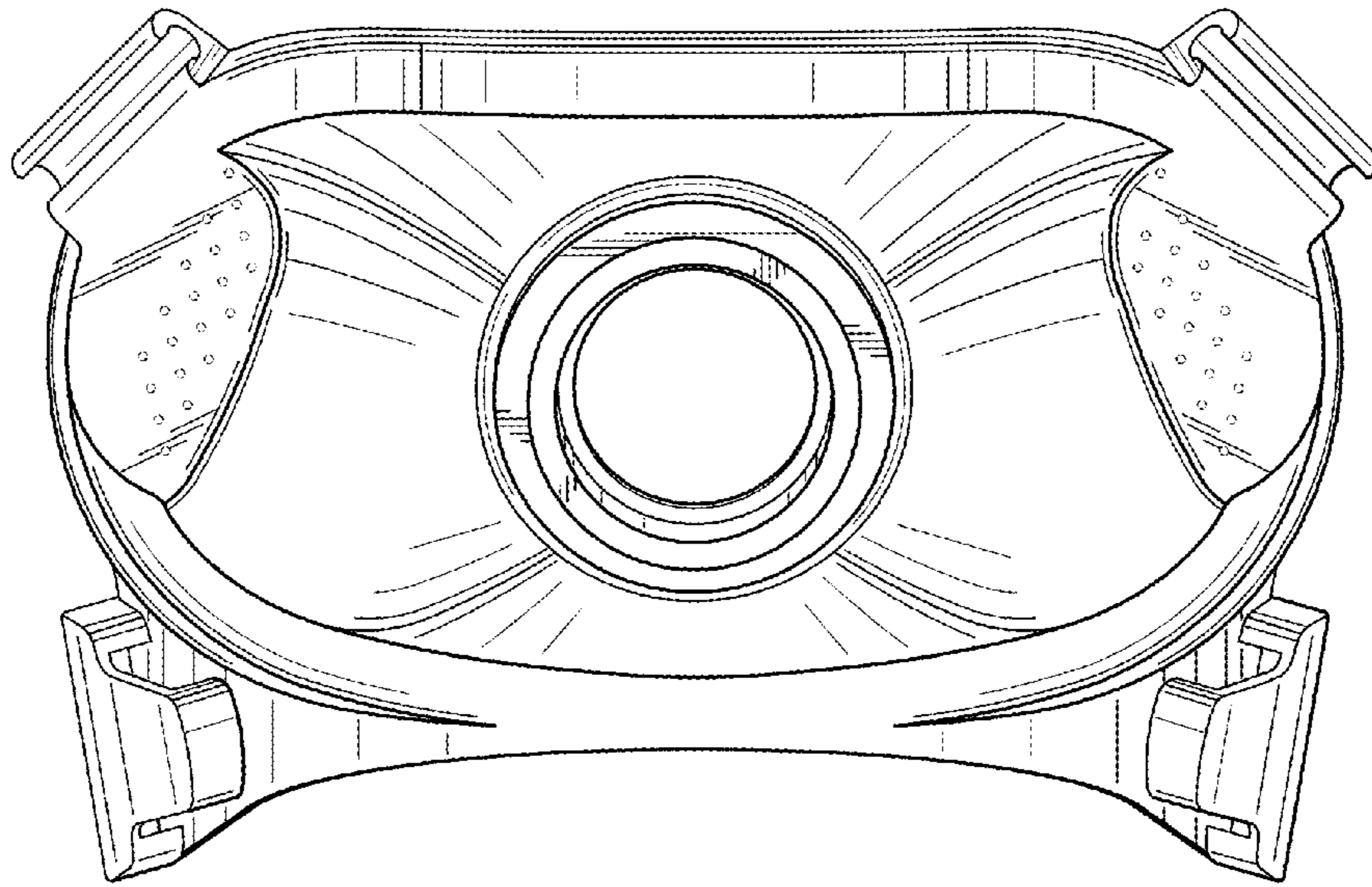


Fig. 11

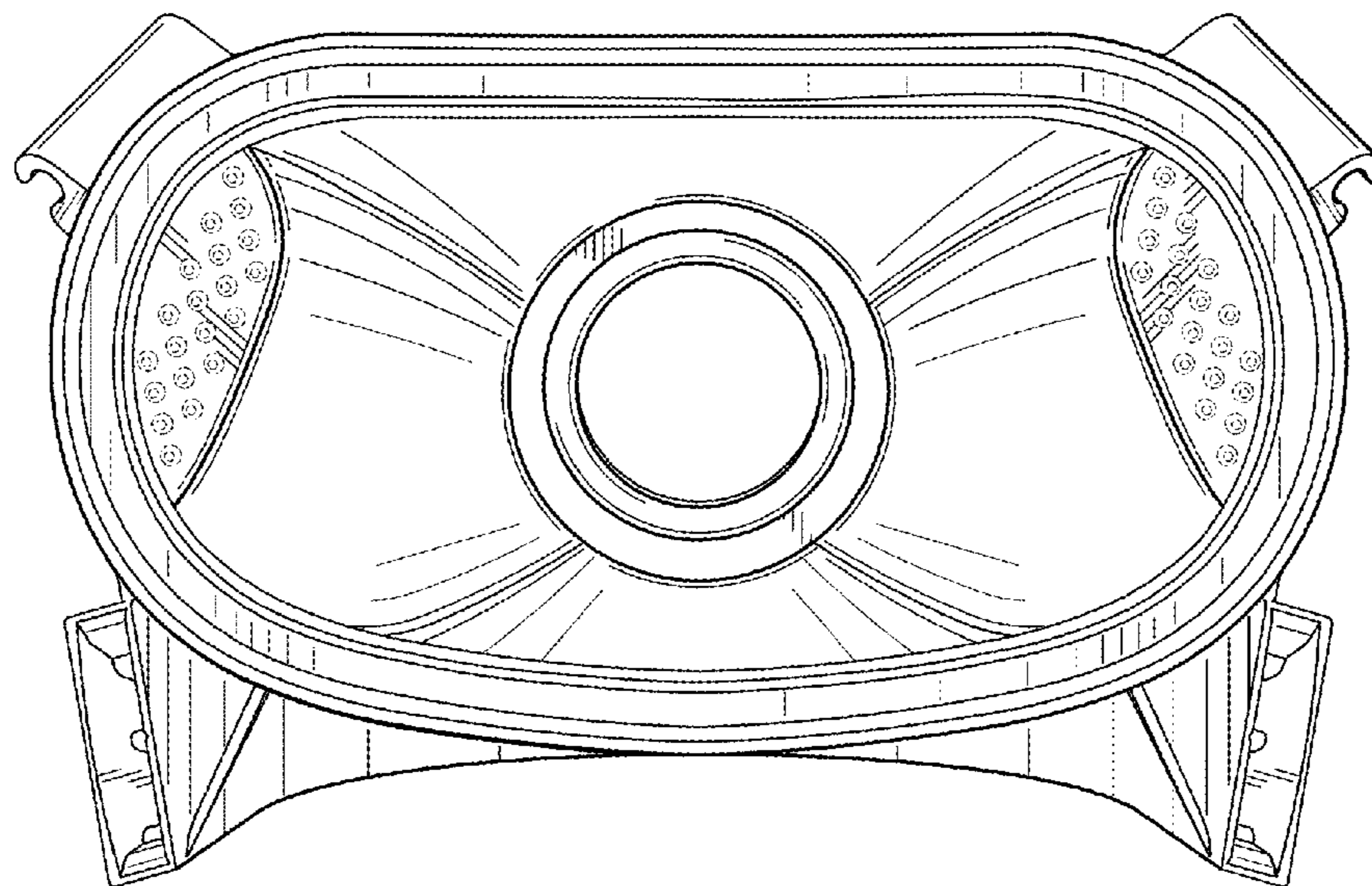


Fig. 12



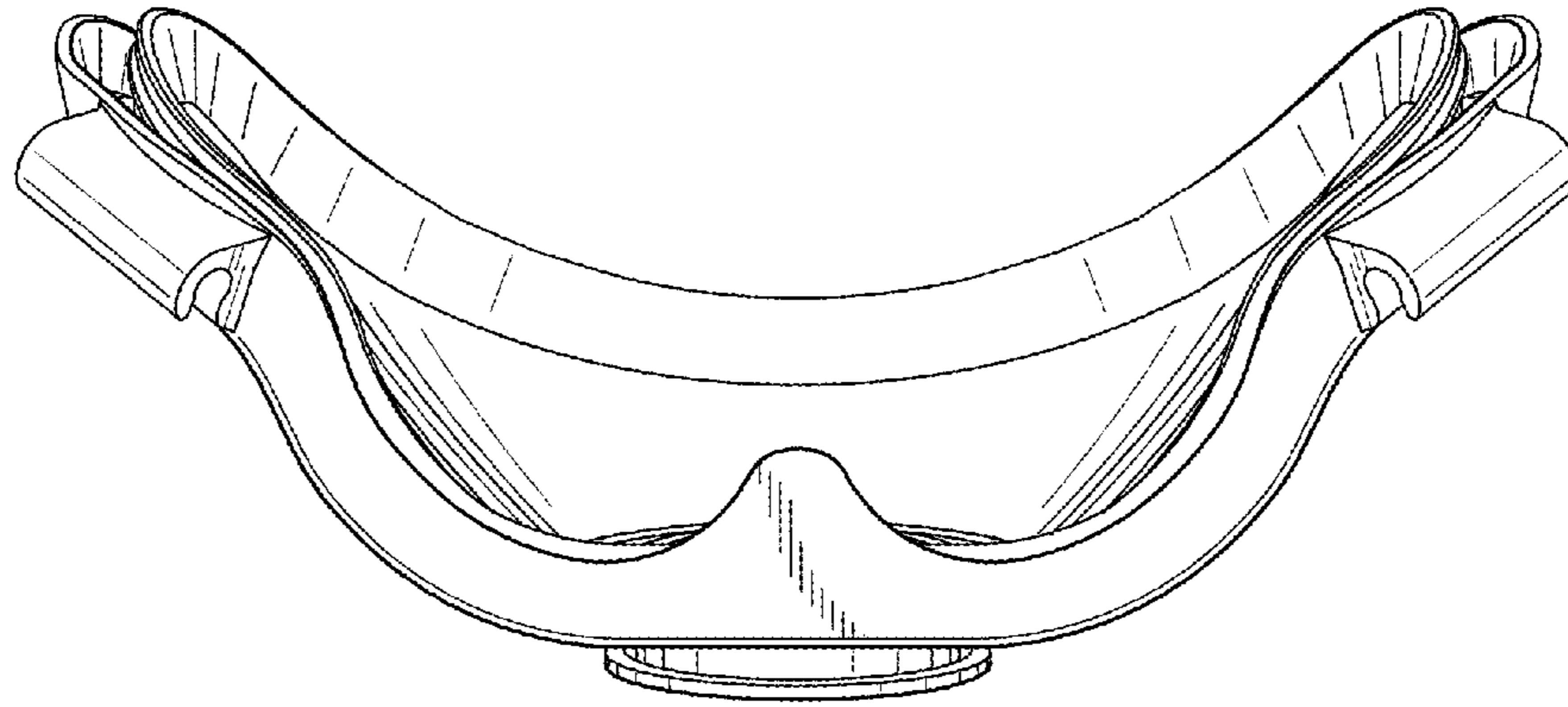


Fig. 13

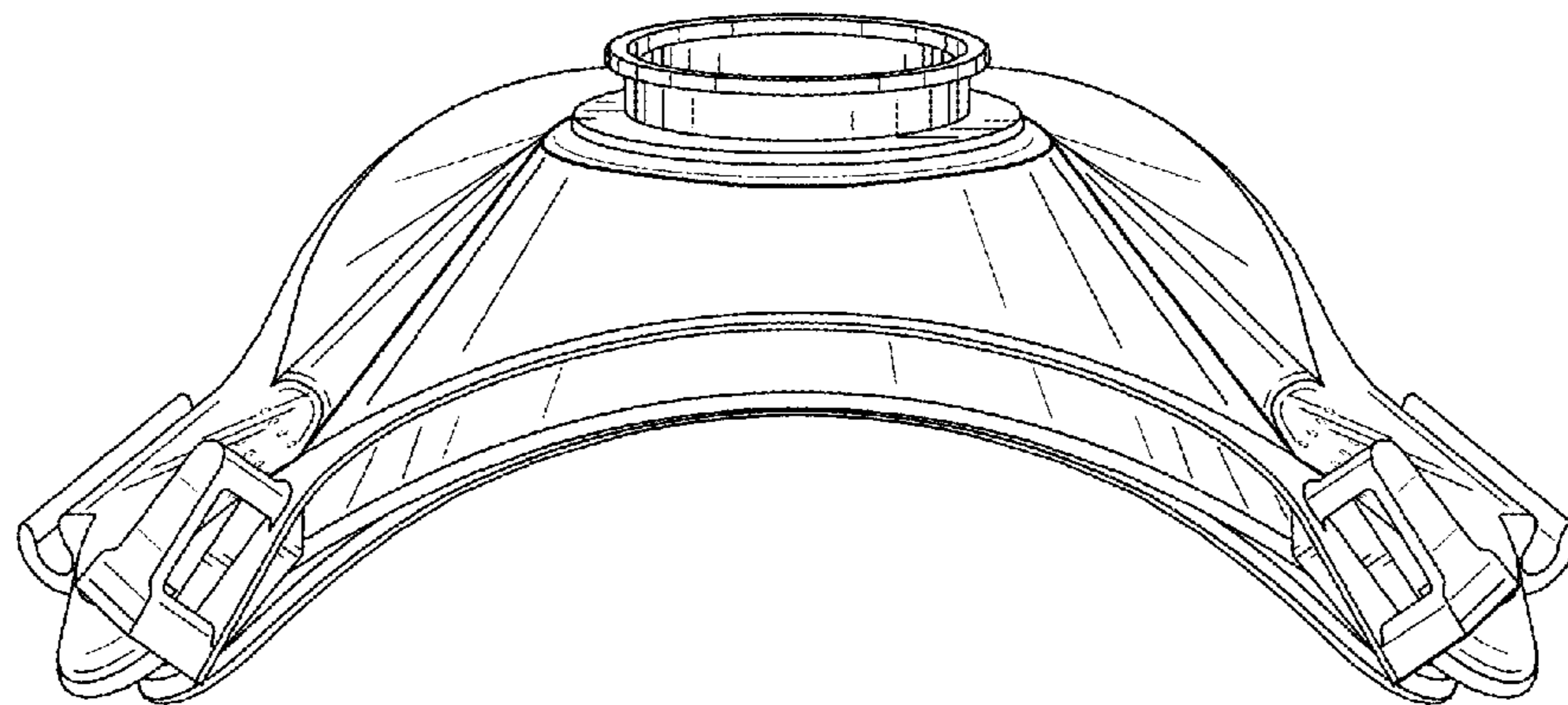


Fig. 14

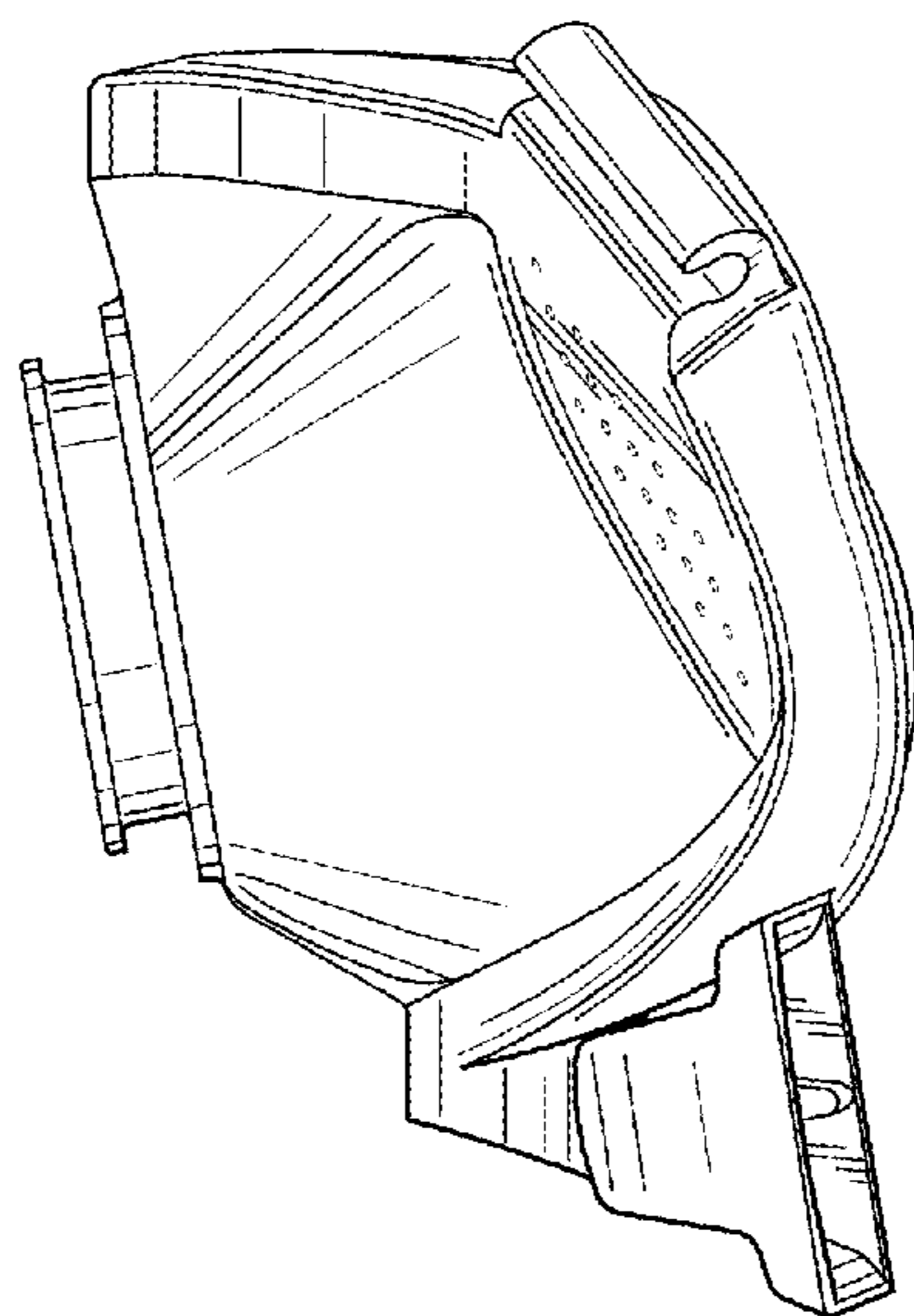


Fig. 15

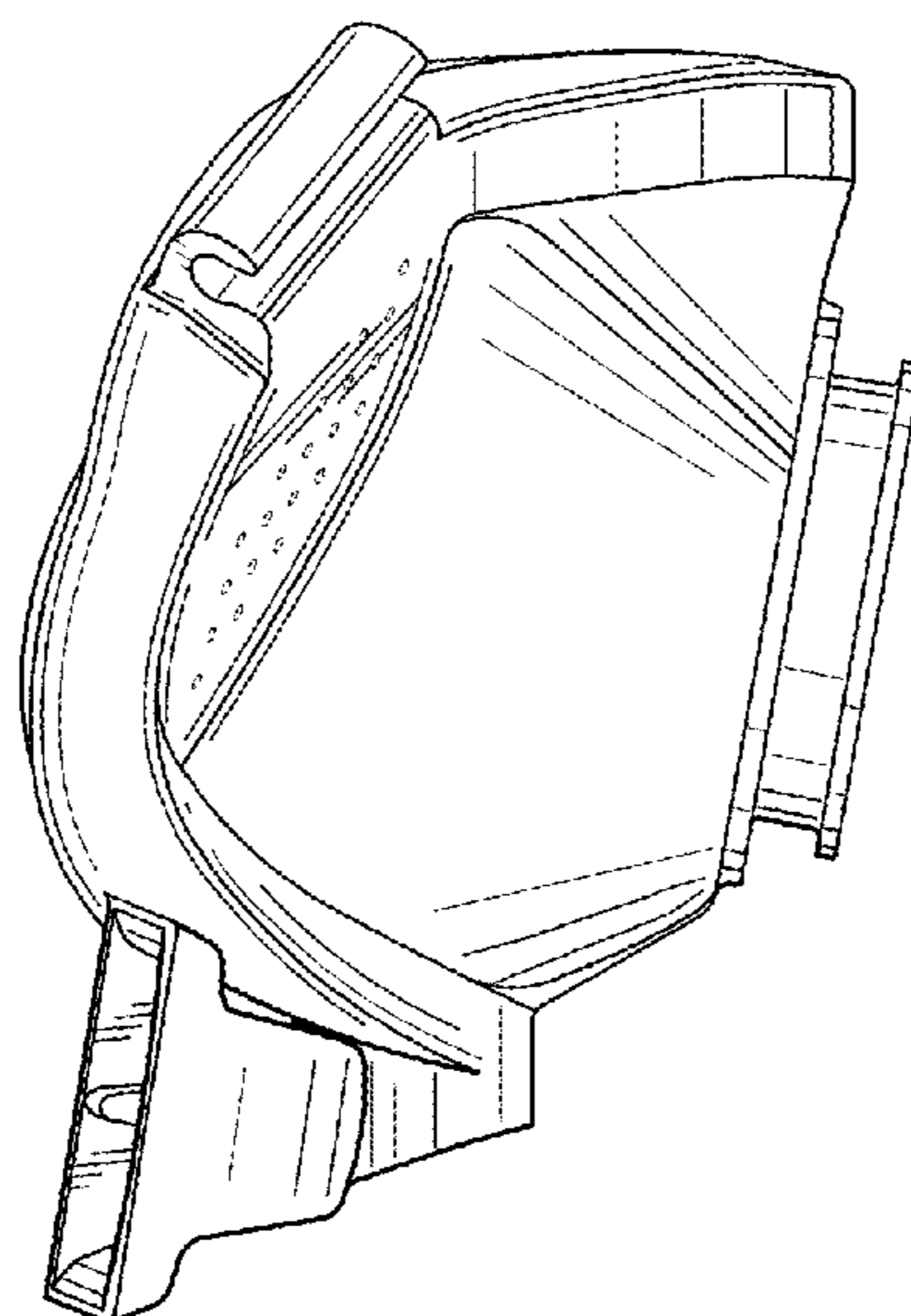


Fig. 16