



US00D669575S

(12) **United States Design Patent**
Ebert et al.

(10) **Patent No.:** **US D669,575 S**

(45) **Date of Patent:** **** Oct. 23, 2012**

(54) **MEDICAL DRAINAGE PUMP**

(75) Inventors: **Manuel Ebert**, Lucerne (CH); **Tonia Ahanotu**, Zürich (CH); **Birgit Müller**, Menzingen (CH); **Therese Naef**, Wettingen (CH); **Maxi Modes**, Zürich (CH)

(73) Assignee: **Medela Holding AG**, Baar (CH)

(**) Term: **14 Years**

(21) Appl. No.: **29/402,909**

(22) Filed: **Sep. 29, 2011**

(30) **Foreign Application Priority Data**

Mar. 29, 2011 (WO) DM/076 088

(51) **LOC (9) Cl.** **24-01**

(52) **U.S. Cl.** **D24/108; D24/111**

(58) **Field of Classification Search** D24/108, D24/111; D15/7, 9; 128/DIG. 1, DIG. 12; 604/30, 33, 35, 138, 125, 151-152, 153-154

See application file for complete search history.

(56) **References Cited**

U.S. PATENT DOCUMENTS

D291,354	S	*	8/1987	Camens	D24/111
D292,734	S	*	11/1987	Ryder	D24/111
5,348,539	A	*	9/1994	Herskowitz	604/153
D471,274	S	*	3/2003	Diaz et al.	D24/111
D484,146	S	*	12/2003	Urano et al.	D15/7
D564,087	S	*	3/2008	Yodfat et al.	D24/108
D588,262	S	*	3/2009	Pukall et al.	D24/108

* cited by examiner

Primary Examiner — Wan Laymon

(74) *Attorney, Agent, or Firm* — McDonnell Boehnen Hulbert & Berghoff LLP

(57) **CLAIM**

The ornamental design for a medical drainage pump, as shown and described.

DESCRIPTION

FIG. 1 is a medical drainage pump in a perspective view;

FIG. 2 is a front view thereof;

FIG. 3 is a rear side view thereof;

FIG. 4 is a right side view thereof;

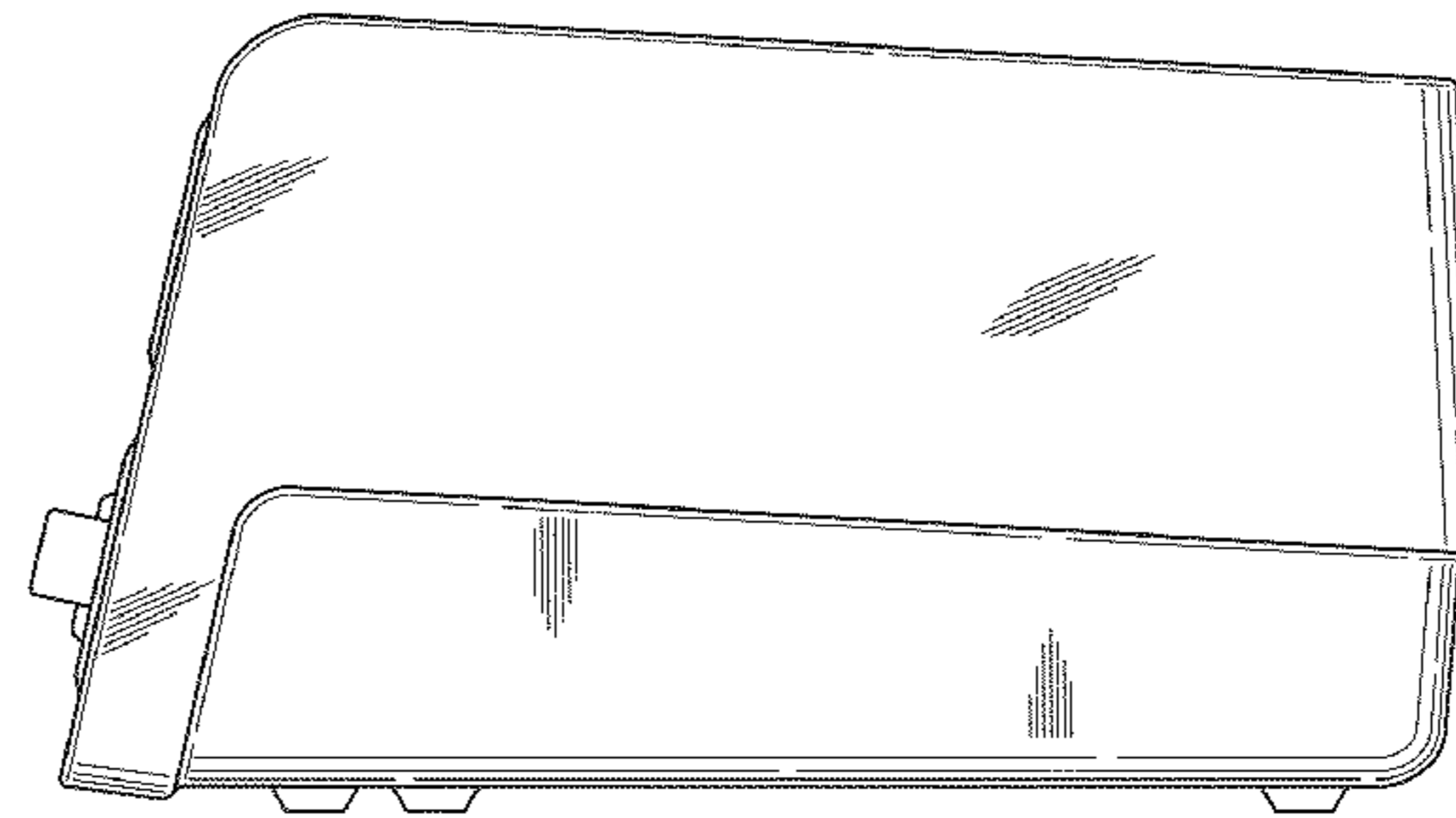
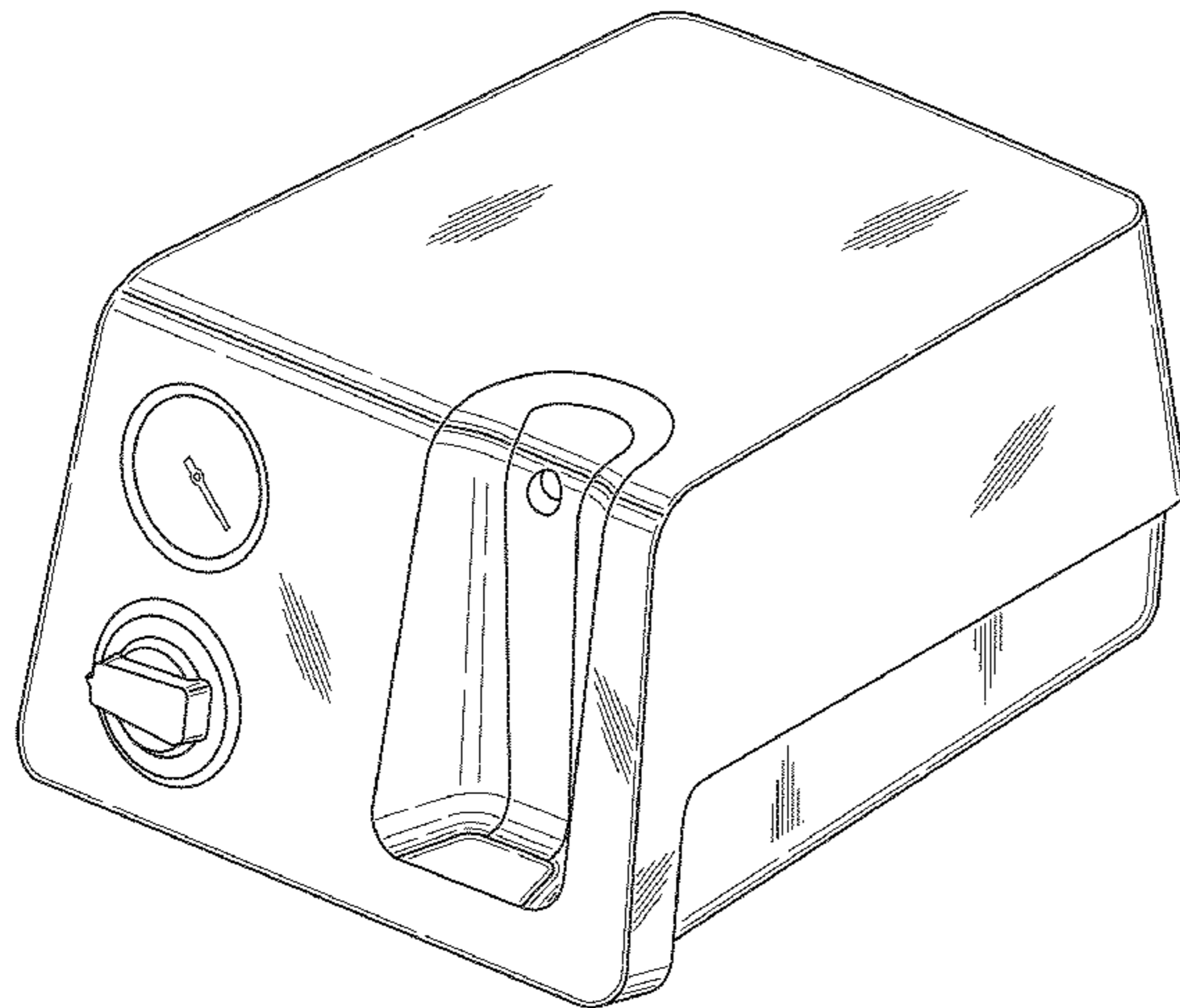
FIG. 5 is a left side view thereof;

FIG. 6 is a top view thereof; and,

FIG. 7 is a bottom view thereof.

The broken lines illustrate portions of the drawings that form no part of the claimed design.

1 Claim, 7 Drawing Sheets



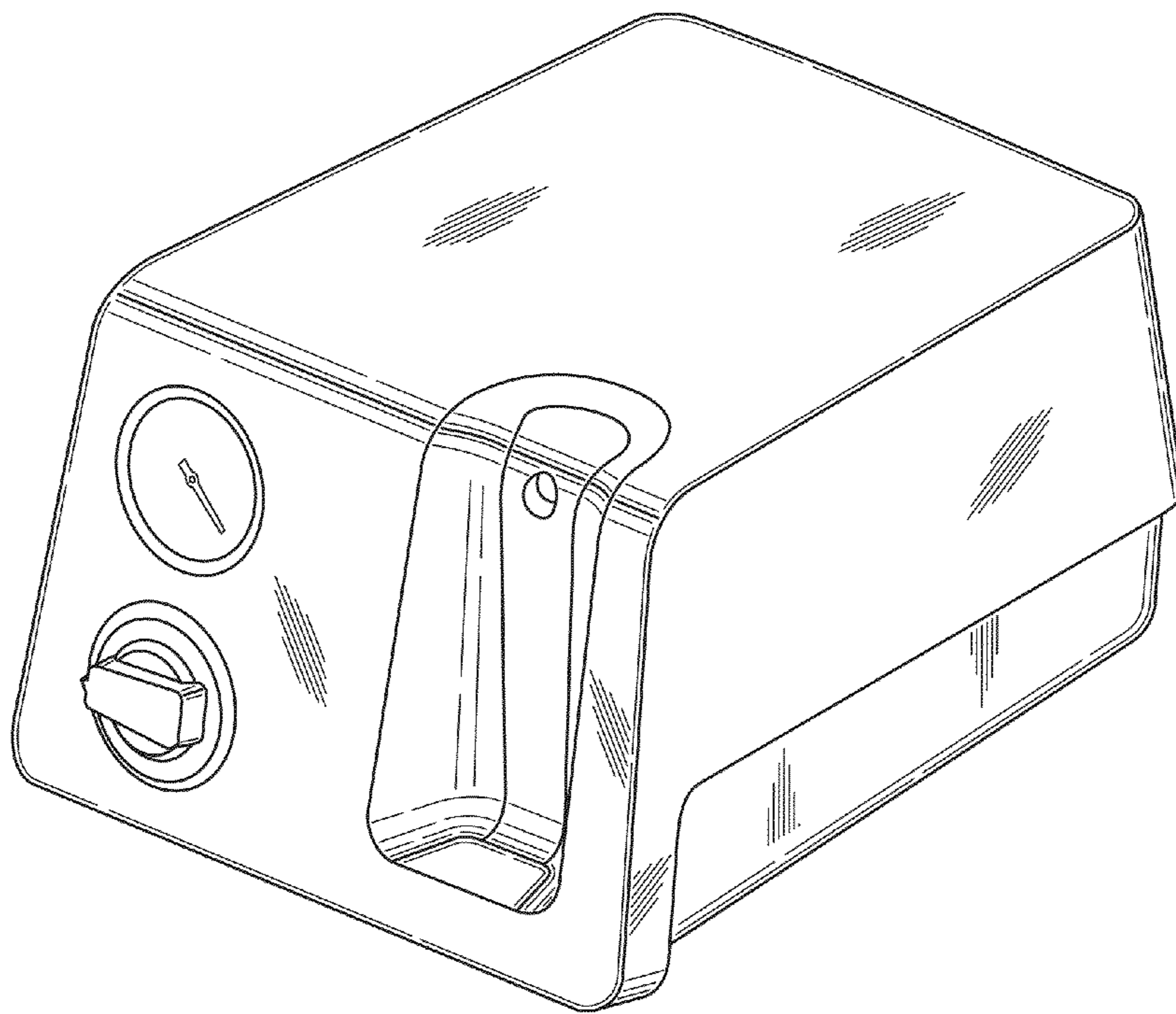


FIG. 1

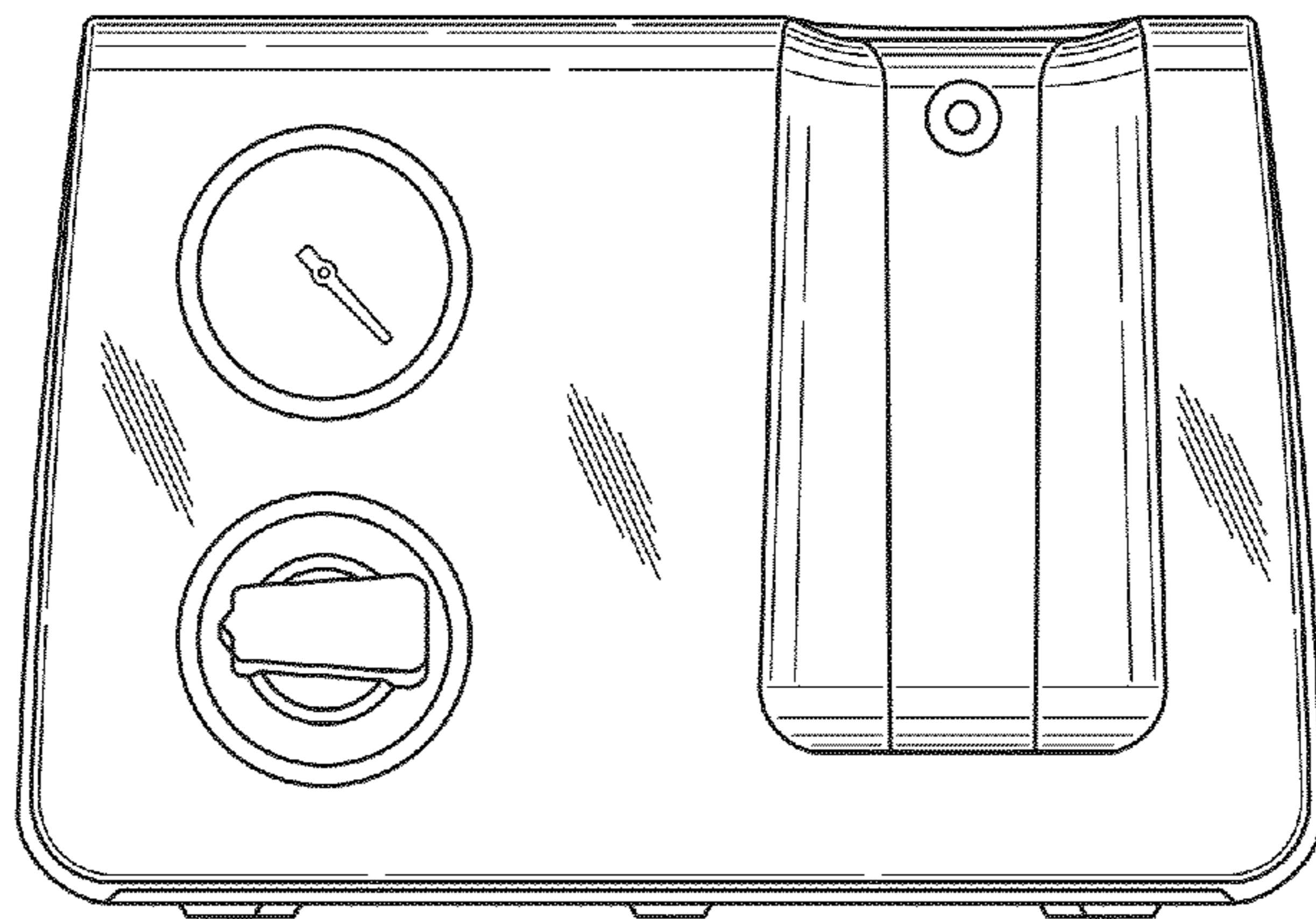


FIG. 2

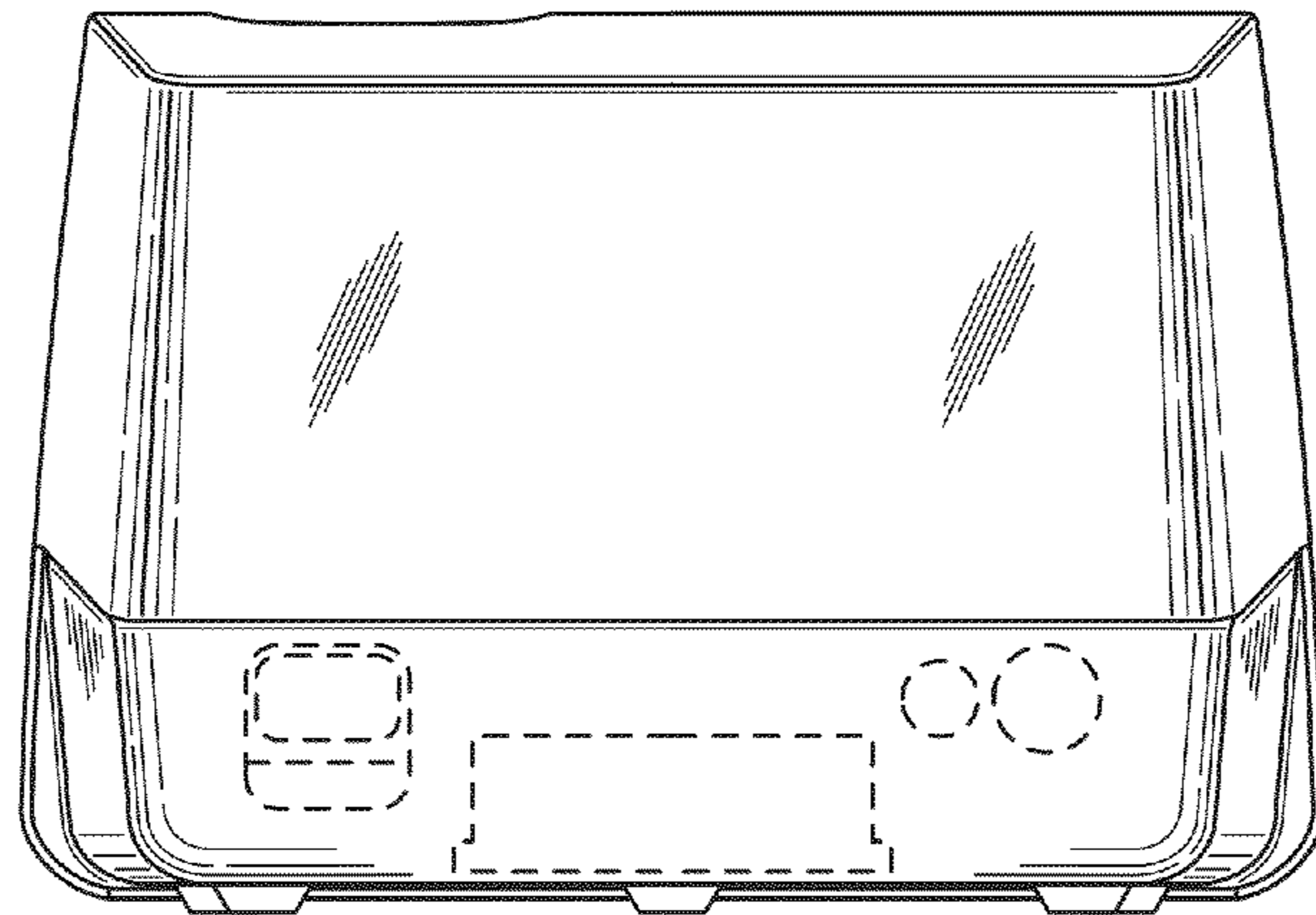


FIG. 3

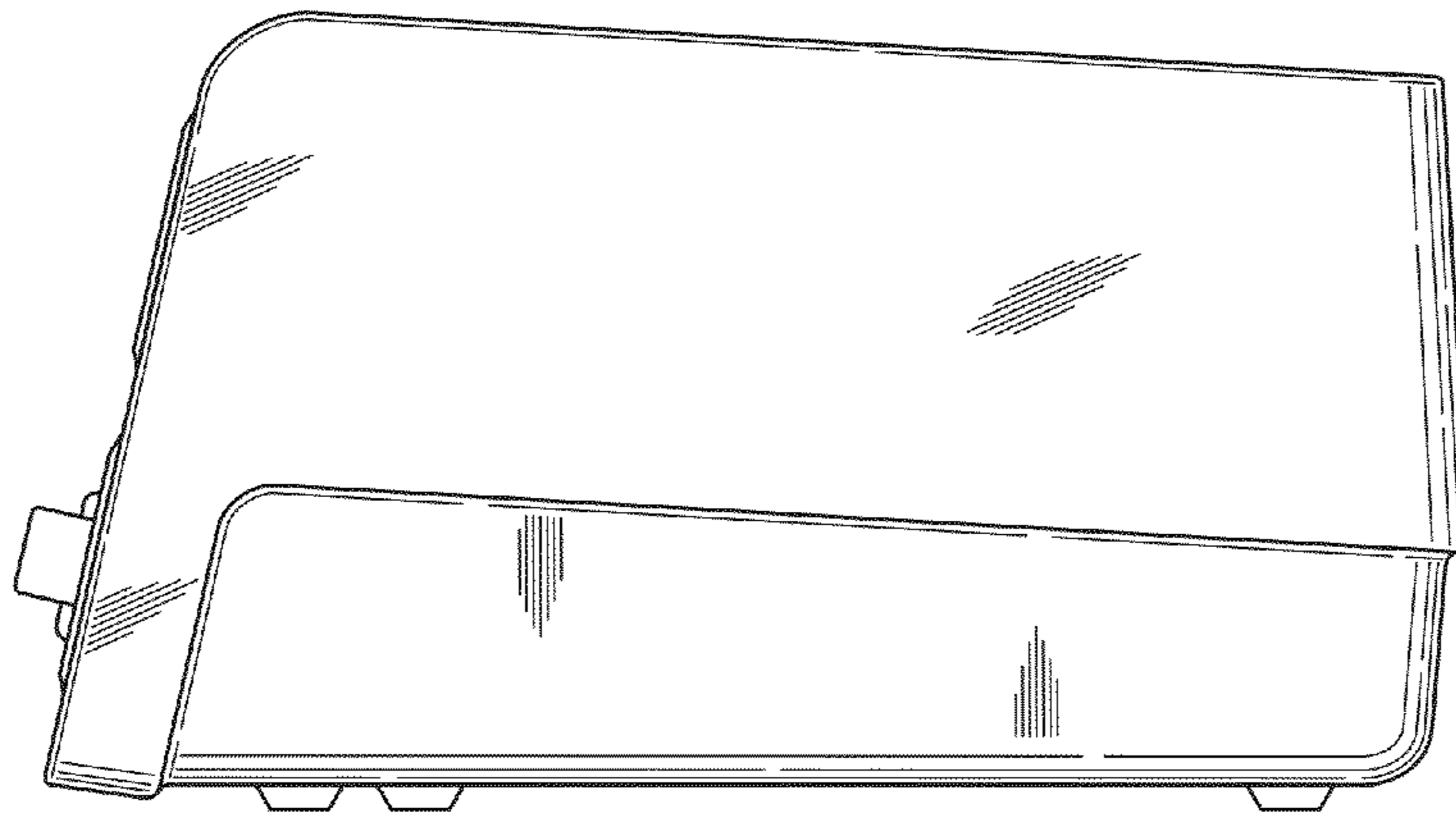


FIG. 4

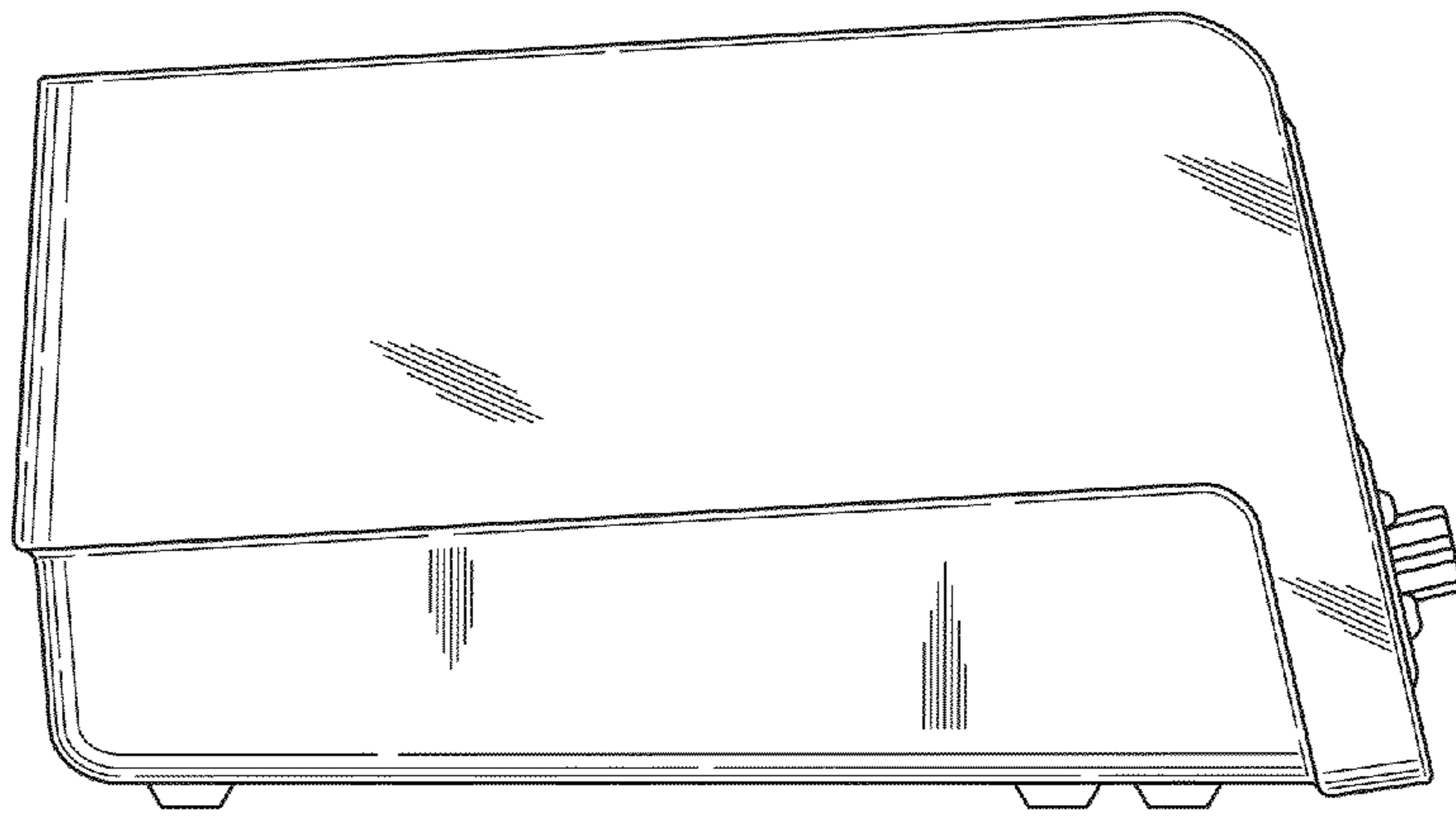


FIG. 5

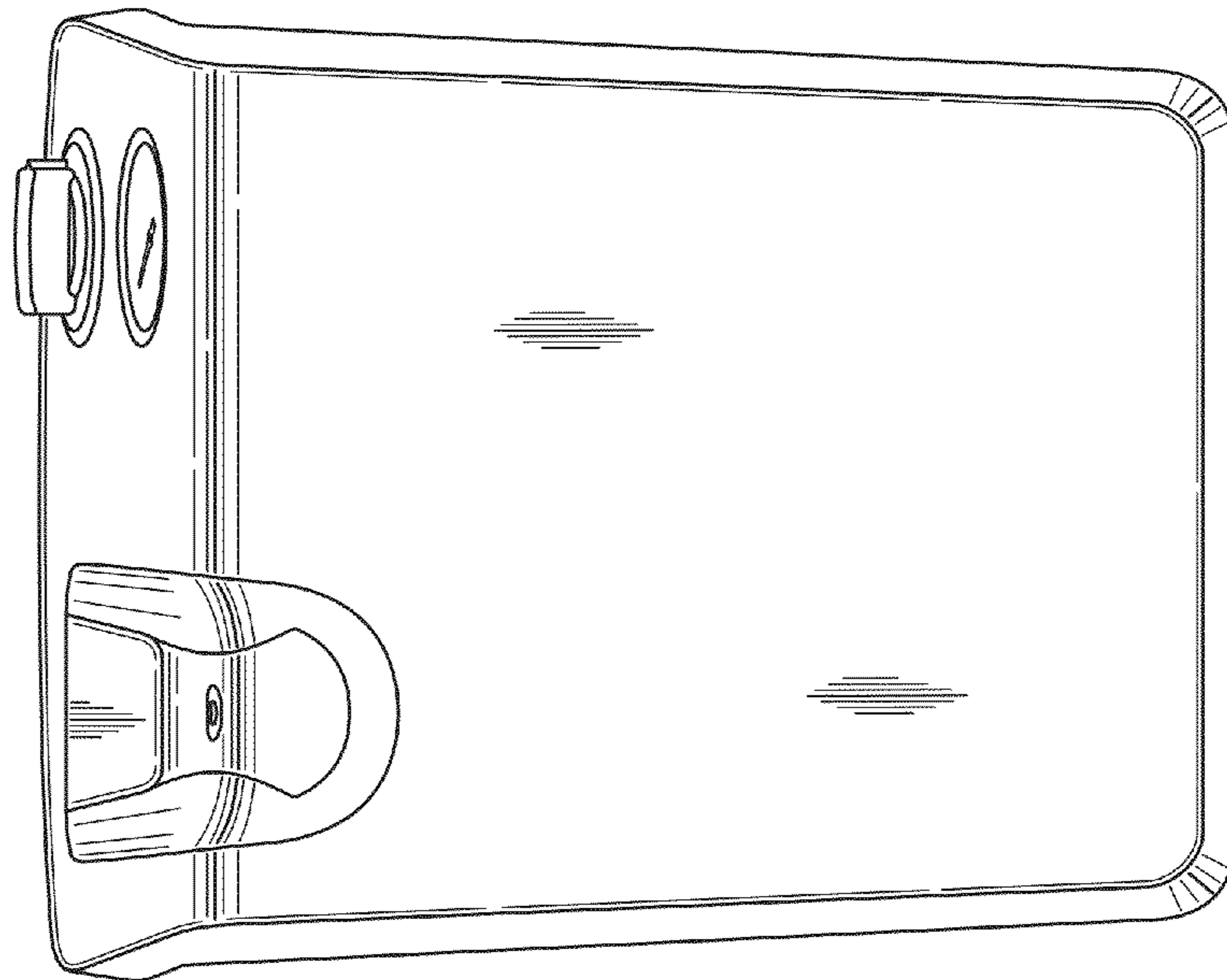


FIG. 6

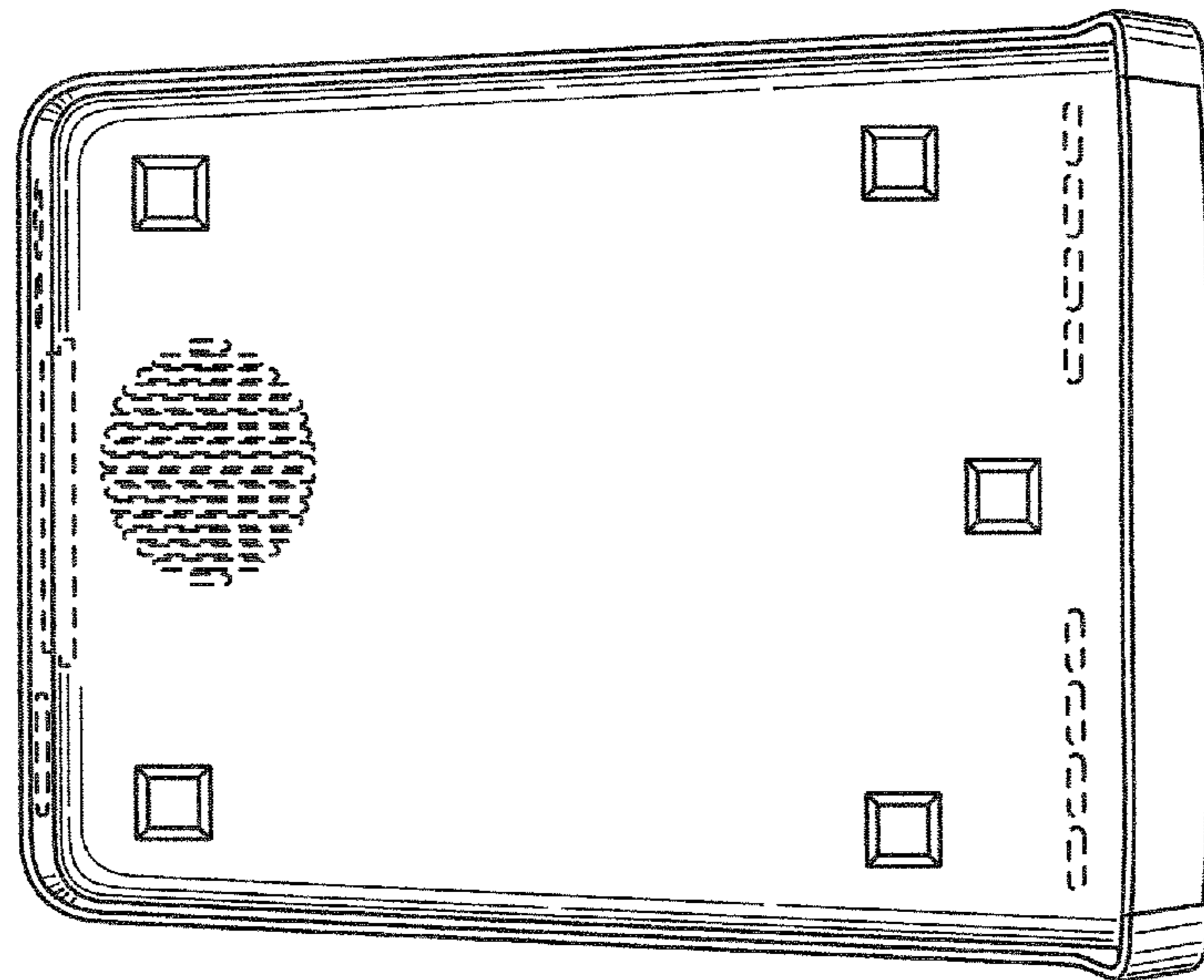


FIG. 7