



US00D669573S

(12) **United States Design Patent**
Inoue

(10) **Patent No.:** **US D669,573 S**

(45) **Date of Patent:** **** Oct. 23, 2012**

(54) **TABLET**

(75) **Inventor:** **Takanori Inoue**, Osaka (JP)

(73) **Assignee:** **Otsuka Pharmaceutical Co., Ltd.**,
Tokyo (JP)

(**) **Term:** **14 Years**

(21) **Appl. No.:** **29/394,271**

(22) **Filed:** **Jun. 15, 2011**

(30) **Foreign Application Priority Data**

Dec. 15, 2010 (JP) 2010-029925

(51) **LOC (9) Cl.** **28-01**

(52) **U.S. Cl.** **D24/103**

(58) **Field of Classification Search** D24/100-104;
424/451, 453, 464, 467, 474, 438, 475; 206/1.5
See application file for complete search history.

(56) **References Cited**

U.S. PATENT DOCUMENTS

D201,497 S *	6/1965	Naljotov	D24/103
D224,591 S *	8/1972	Roberts	D24/103
D225,992 S *	1/1973	Langauer	D24/103
3,723,614 A *	3/1973	Langauer	424/467
RE29,077 E *	12/1976	Geller	424/467
D260,477 S *	9/1981	Jones	D8/98
D298,061 S *	10/1988	Flury et al.	D24/103
4,824,677 A *	4/1989	Shah et al.	424/467

6,342,248 B1 *	1/2002	Miyabe et al.	424/467
6,692,765 B1 *	2/2004	Spengler	424/467
D626,214 S *	10/2010	Spengler	D24/103
D641,863 S *	7/2011	Spengler	D24/103
D641,864 S *	7/2011	Spengler	D24/103

FOREIGN PATENT DOCUMENTS

DE M9806011-0002 1/1999

OTHER PUBLICATIONS

Russian Patent Application No. 2011501805, Office Action dated Jan. 16, 2012, 6 pages.

* cited by examiner

Primary Examiner — Ian Simmons

Assistant Examiner — Charles Hanson

(74) *Attorney, Agent, or Firm* — Dennis R. Haszko

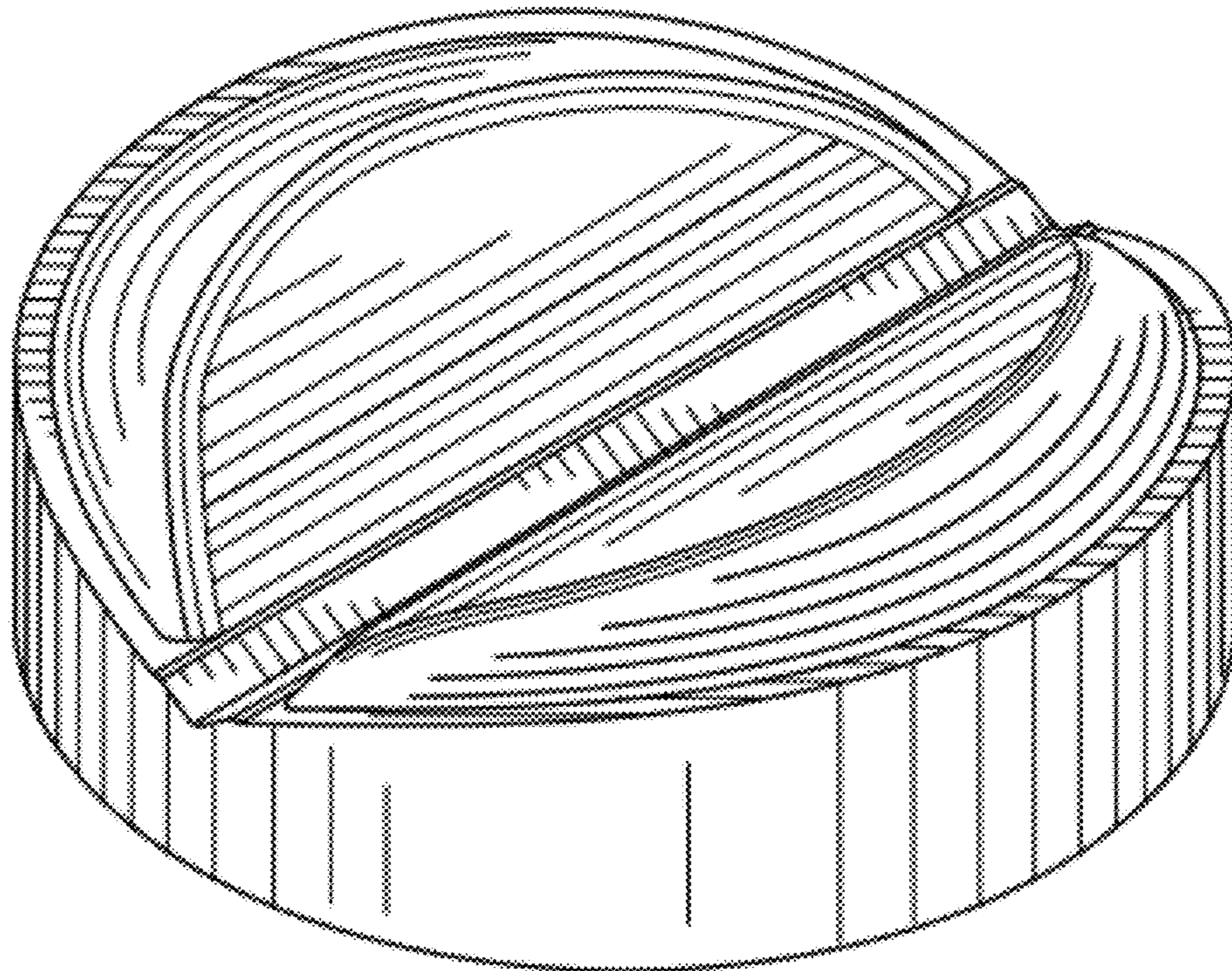
(57) **CLAIM**

The ornamental design for a tablet, as shown and described.

DESCRIPTION

FIG. 1 is a perspective view of the tablet;
FIG. 2 is a front view thereof, the rear view being the same;
FIG. 3 is a top view thereof;
FIG. 4 is a bottom view thereof;
FIG. 5 is a right side view thereof, the left side being the same.
FIG. 6 is a sectional view thereof along line 6-6 of FIG. 3; and,
FIG. 7 is a sectional view thereof along line 7-7 of FIG. 3.
The rear view is the same as the front view. The left side view is the same as the right side view.

1 Claim, 4 Drawing Sheets



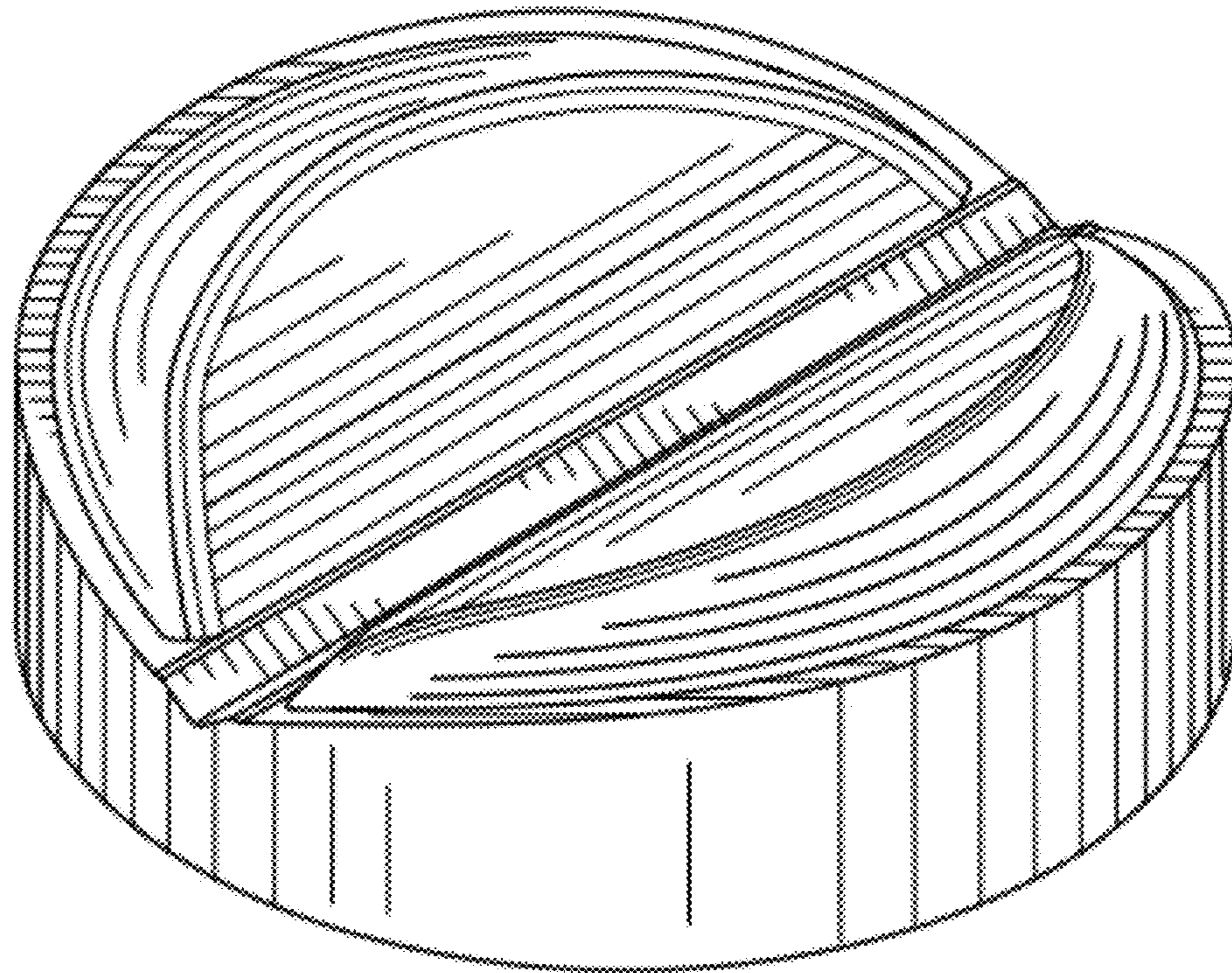


FIG. 1

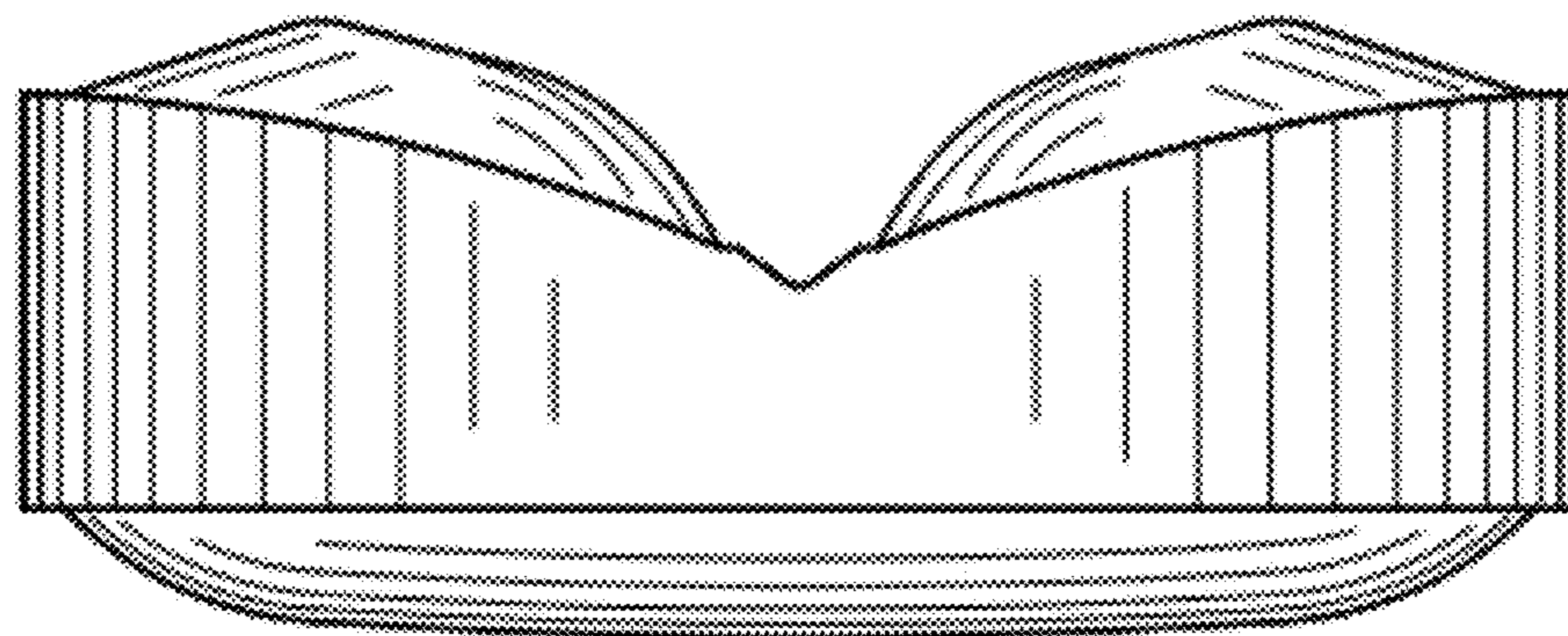
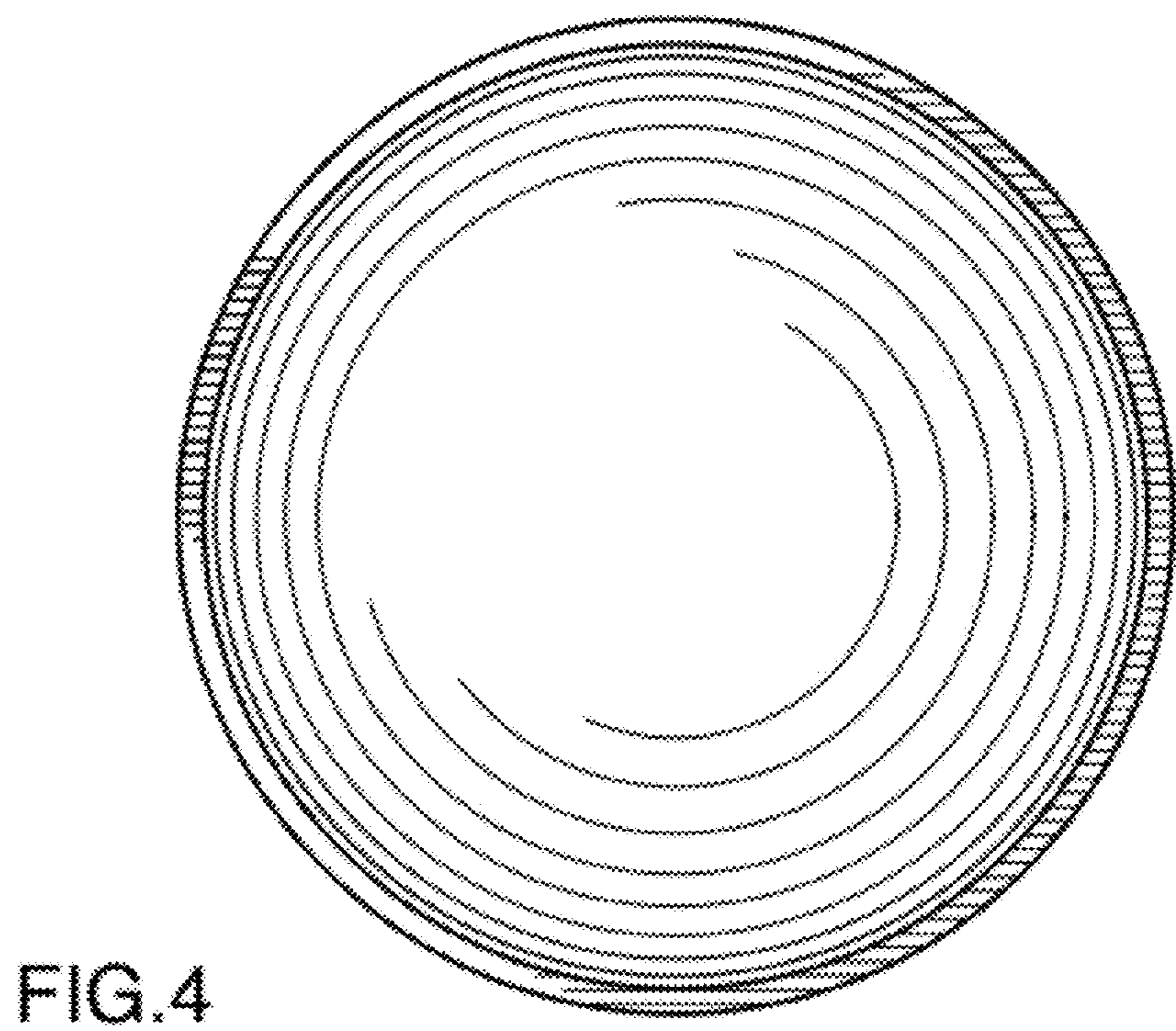
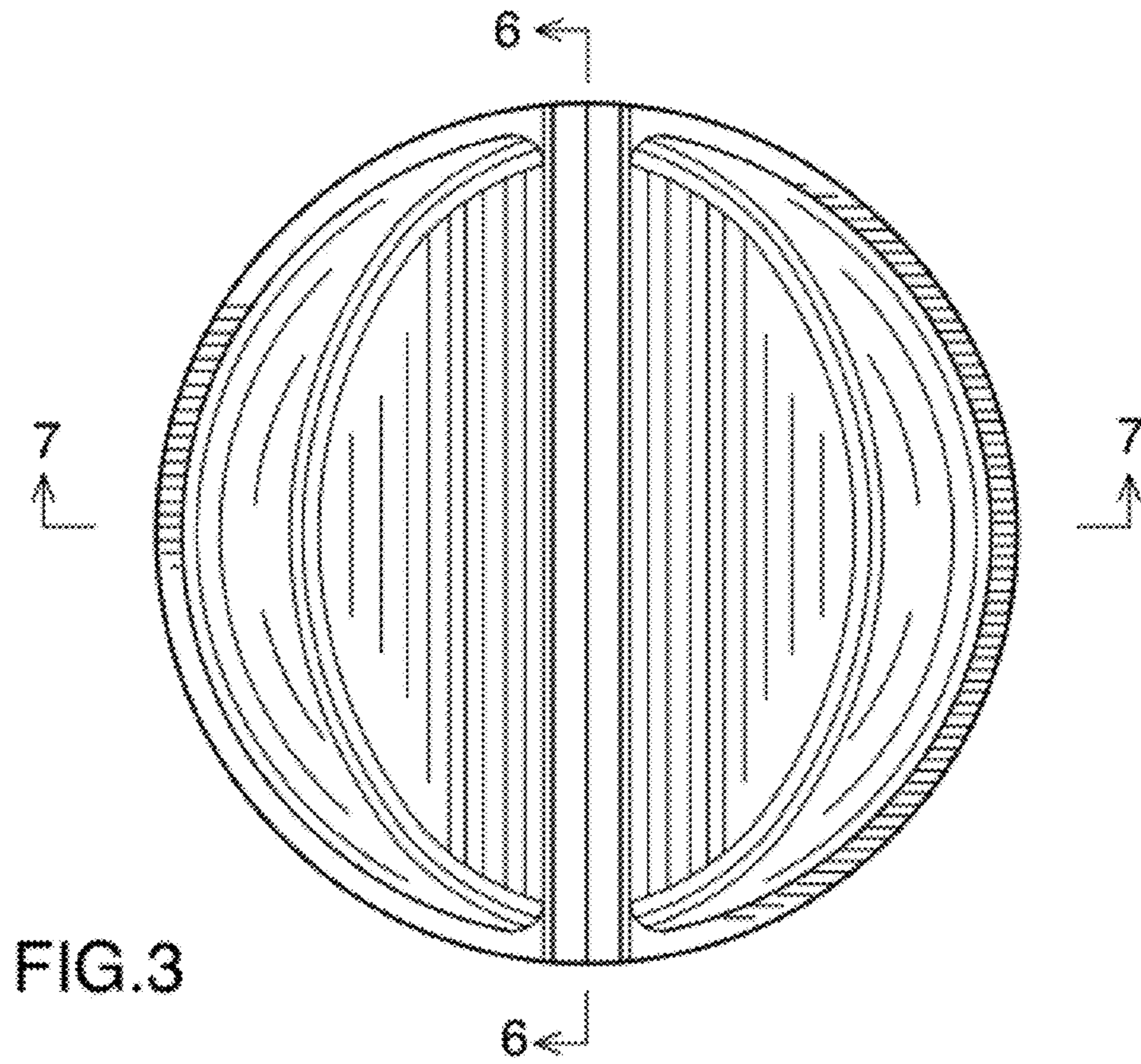


FIG. 2



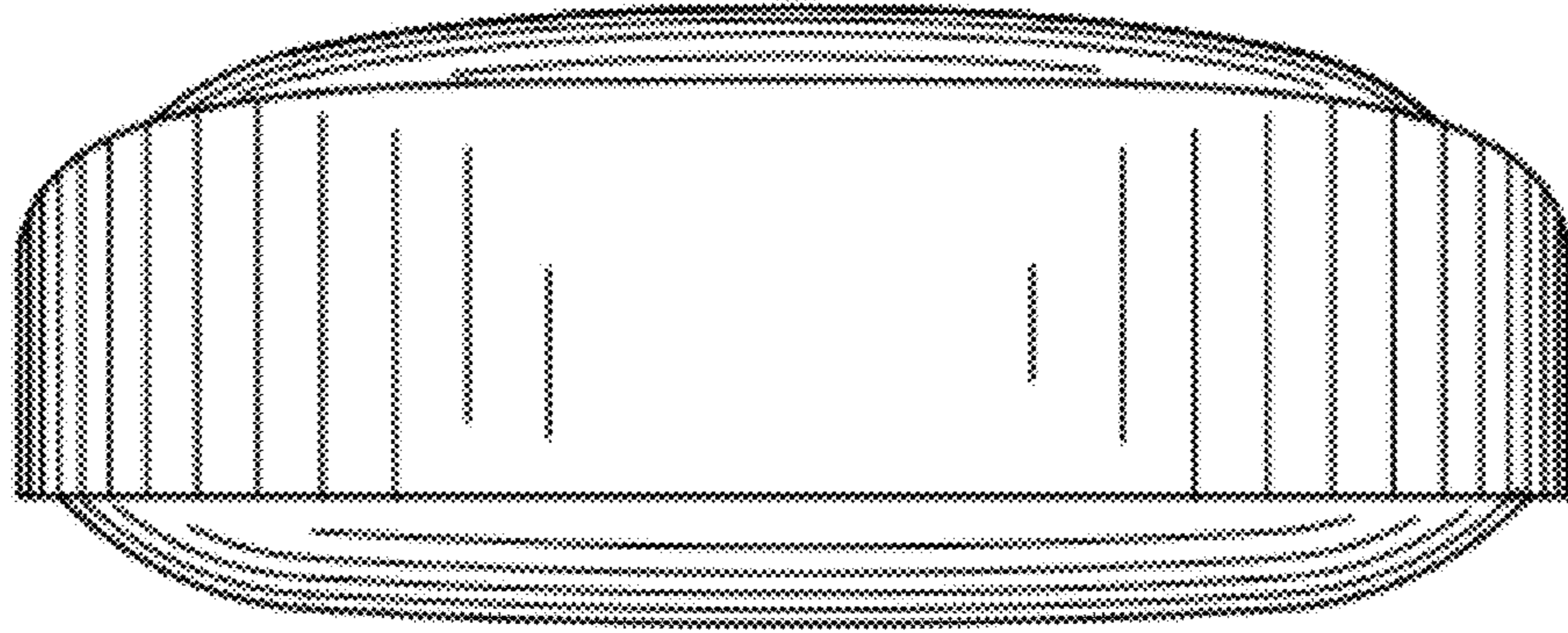


FIG. 5

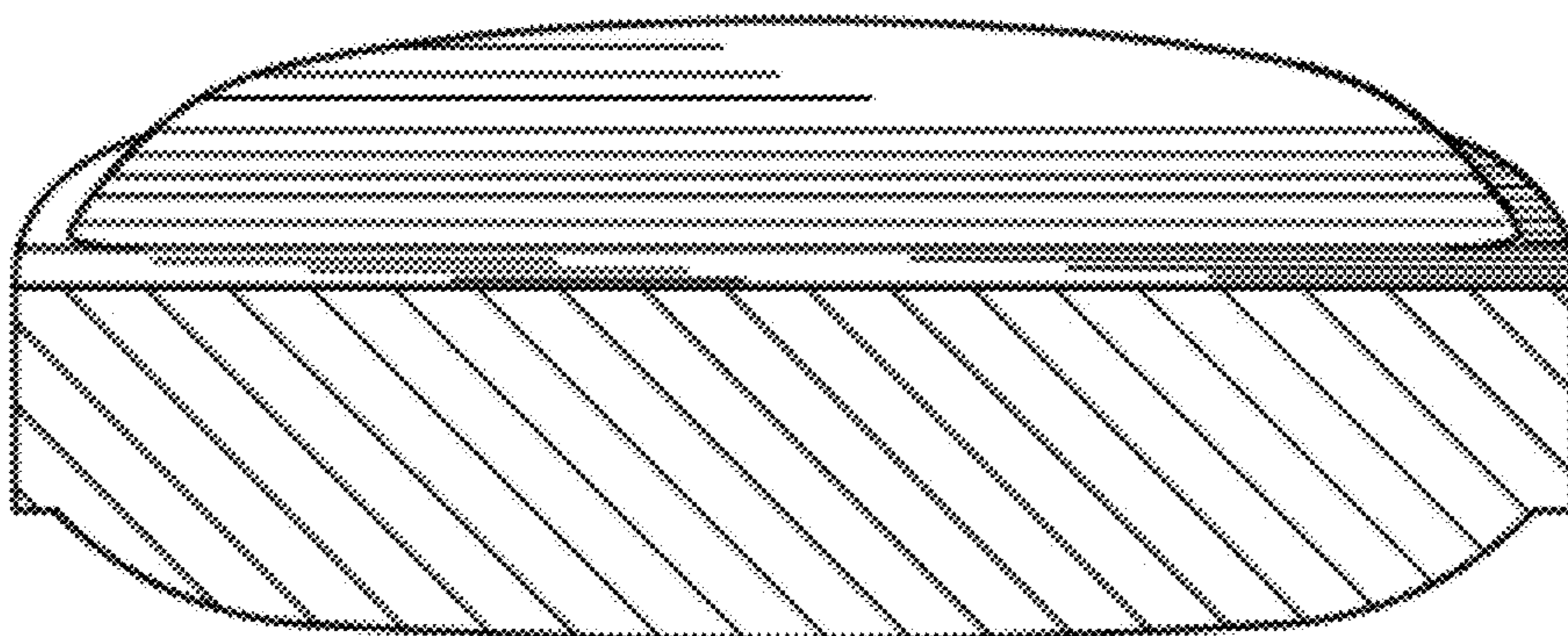


FIG. 6

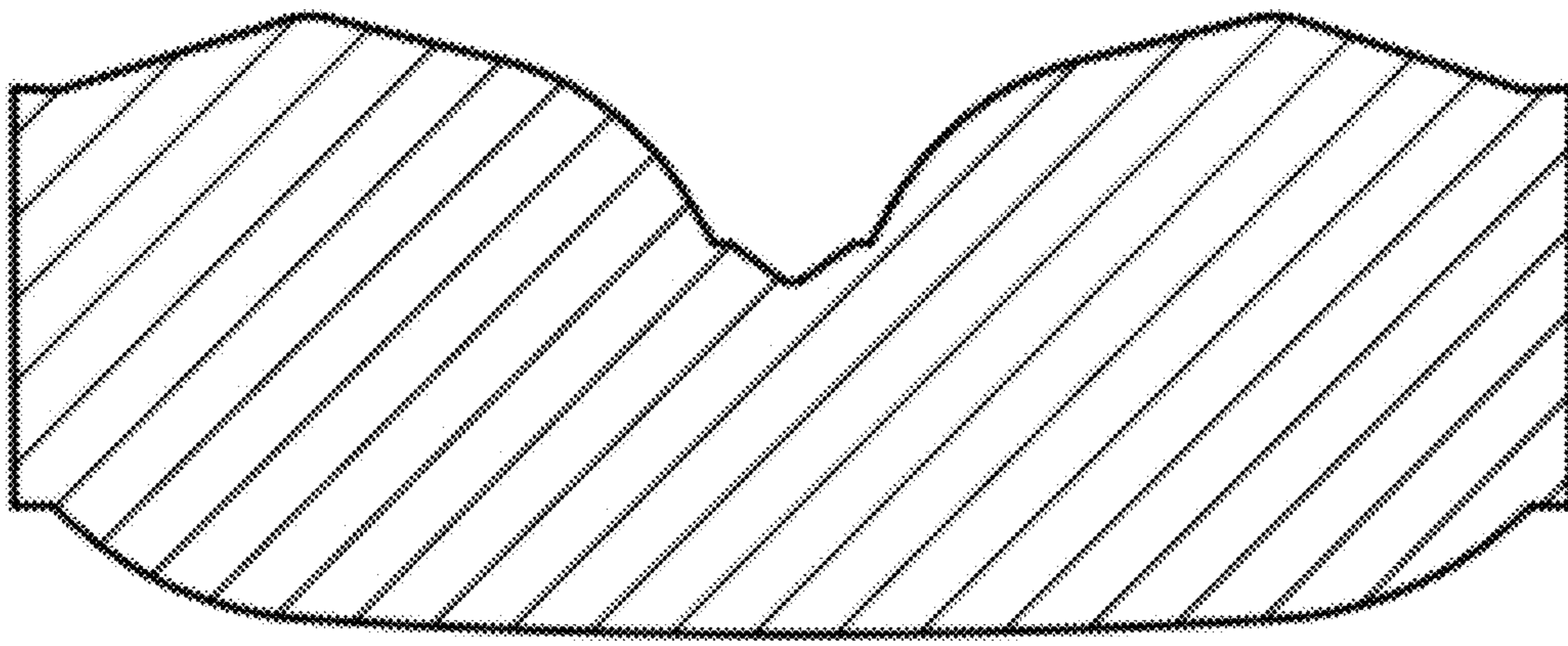


FIG. 7