



US00D669571S

(12) **United States Design Patent**  
**Penlesky et al.**

(10) **Patent No.:** **US D669,571 S**

(45) **Date of Patent:** **\*\* Oct. 23, 2012**

(54) **SCROLL HOUSING**

(75) Inventors: **Robert G. Penlesky**, Waukesha, WI  
(US); **Mirko Zakula**, New Berlin, WI  
(US); **Daniel L. Karst**, Beaver Dam, WI  
(US)

(73) Assignee: **Broan-NuTone, LLC**, Hartford, WI  
(US)

(\*\*) Term: **14 Years**

(21) Appl. No.: **29/412,648**

(22) Filed: **Feb. 6, 2012**

(51) **LOC (9) Cl.** ..... **23-04**

(52) **U.S. Cl.** ..... **D23/393**

(58) **Field of Classification Search** ..... D23/385–395,  
D23/397, 370–373, 365, 351, 354, 399–403,  
D23/421, 499; 454/309, 275–277, 284, 287–291,  
454/358–363; 52/302.1, 32.07; 285/229,  
285/189, 183, 123.1, 15, 114, 110, 424, 197  
See application file for complete search history.

(56) **References Cited**

U.S. PATENT DOCUMENTS

2,300,580 A \* 11/1942 Loprich ..... D23/351  
D274,849 S \* 7/1984 Cleary ..... D23/365

D289,680 S \* 5/1987 Heob ..... D23/386  
D298,051 S \* 10/1988 Matheson et al. .... D23/365  
D307,568 S \* 5/1990 Lopez ..... D23/393  
D315,949 S \* 4/1991 Sello ..... D23/393  
D328,345 S \* 7/1992 Ganse ..... D23/393  
D393,702 S \* 4/1998 Haeck ..... D23/351  
D439,648 S \* 3/2001 Jones et al. .... D23/370  
D593,192 S \* 5/2009 Spaggiari ..... D23/370  
7,578,734 B2 \* 8/2009 Ahmed et al. .... 454/358  
D625,799 S \* 10/2010 Salisbury et al. .... D23/370  
8,056,933 B2 \* 11/2011 Liptak ..... 285/189

\* cited by examiner

*Primary Examiner* — David Muller

(74) *Attorney, Agent, or Firm* — Greenberg Traurig LLP

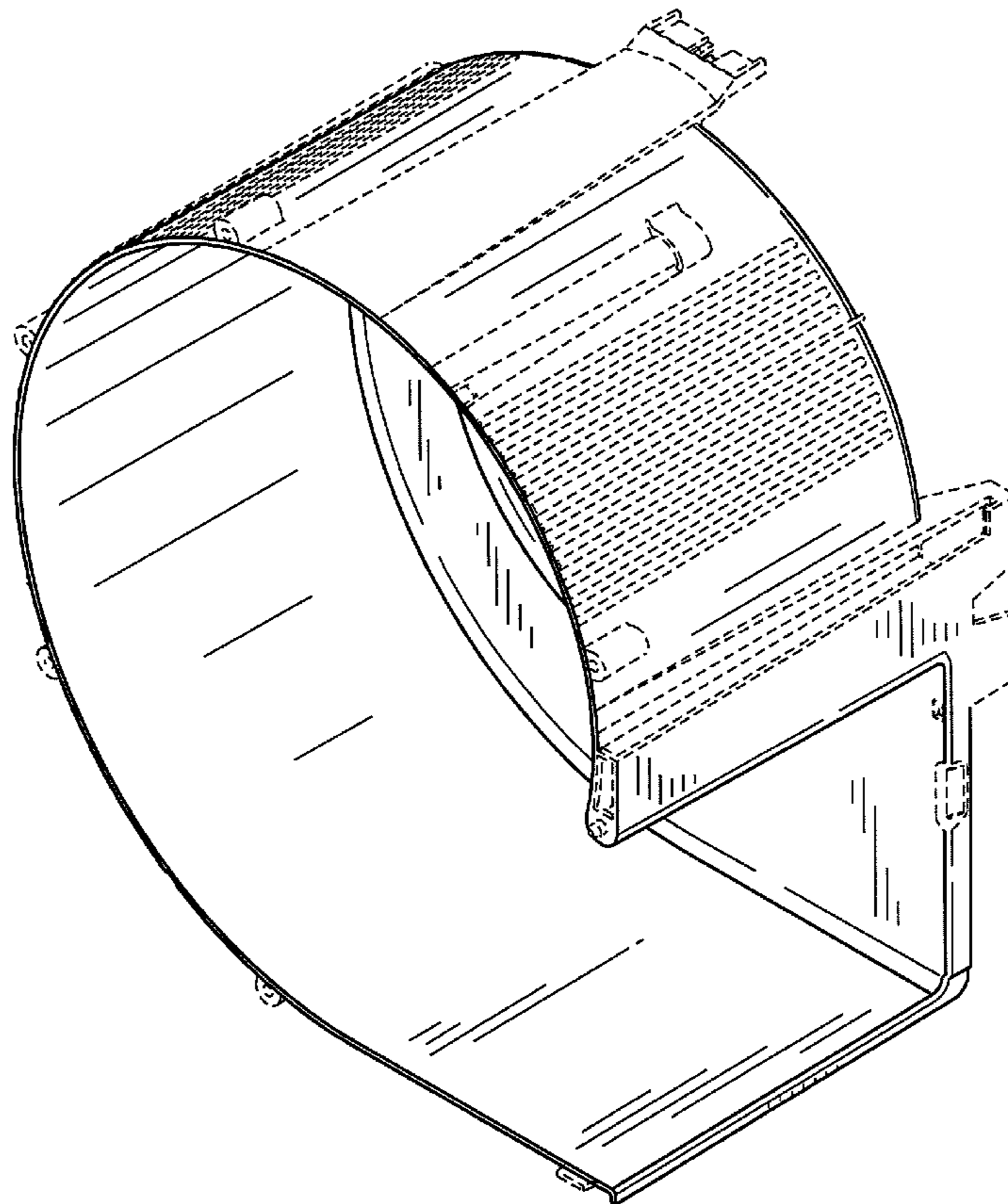
(57) **CLAIM**

We claim the ornamental design for a scroll housing, as shown and described.

**DESCRIPTION**

FIG. 1 is a perspective view of a scroll housing;  
FIG. 2 is a bottom view thereof;  
FIG. 3 is a top view thereof;  
FIG. 4 is a first side view thereof;  
FIG. 5 is a second side view thereof;  
FIG. 6 is a third side view thereof; and,  
FIG. 7 is a fourth side view thereof.  
The features shown in broken lines depict environment sub-  
ject matter only and form no part of the claimed design.

**1 Claim, 7 Drawing Sheets**



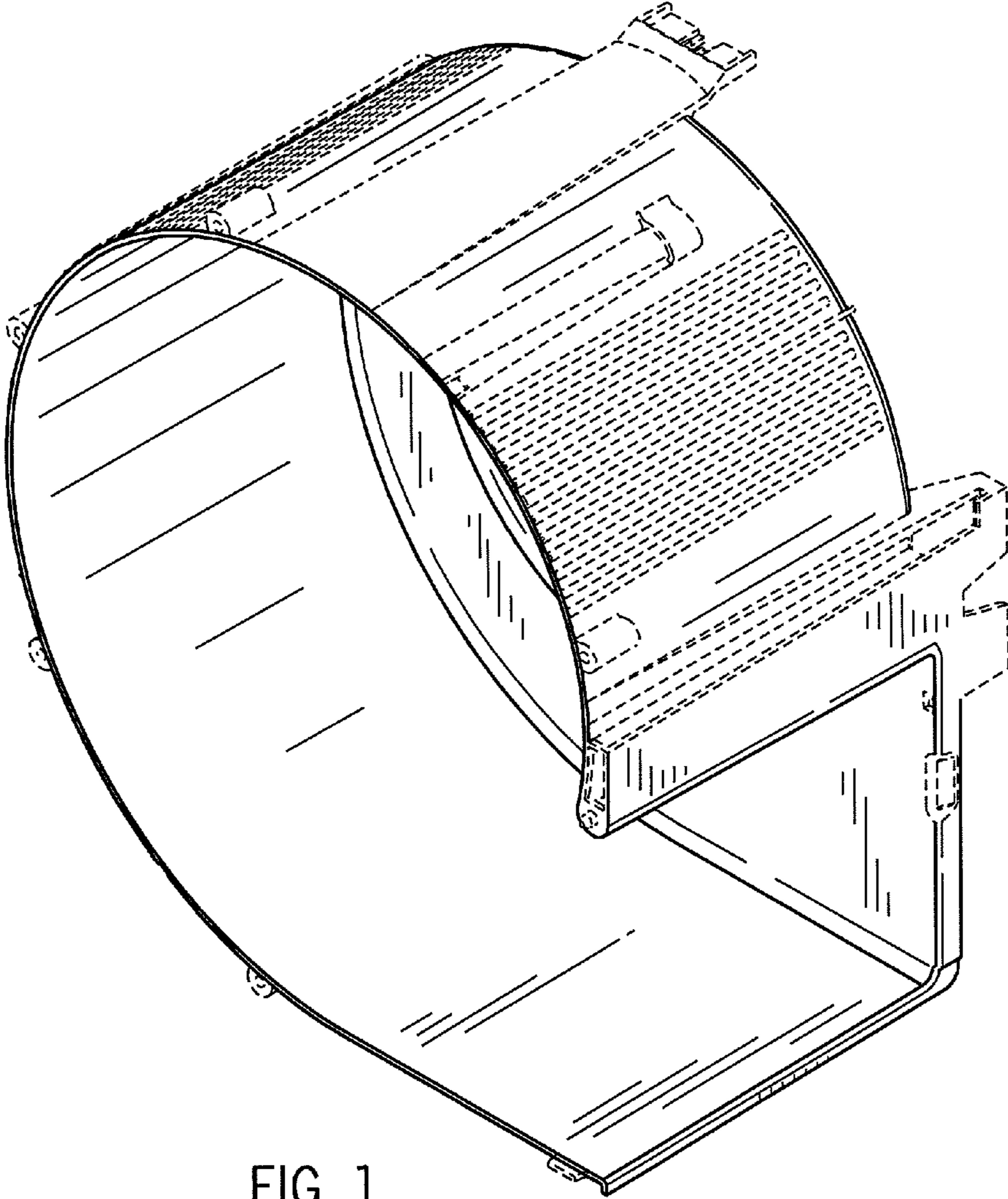


FIG. 1

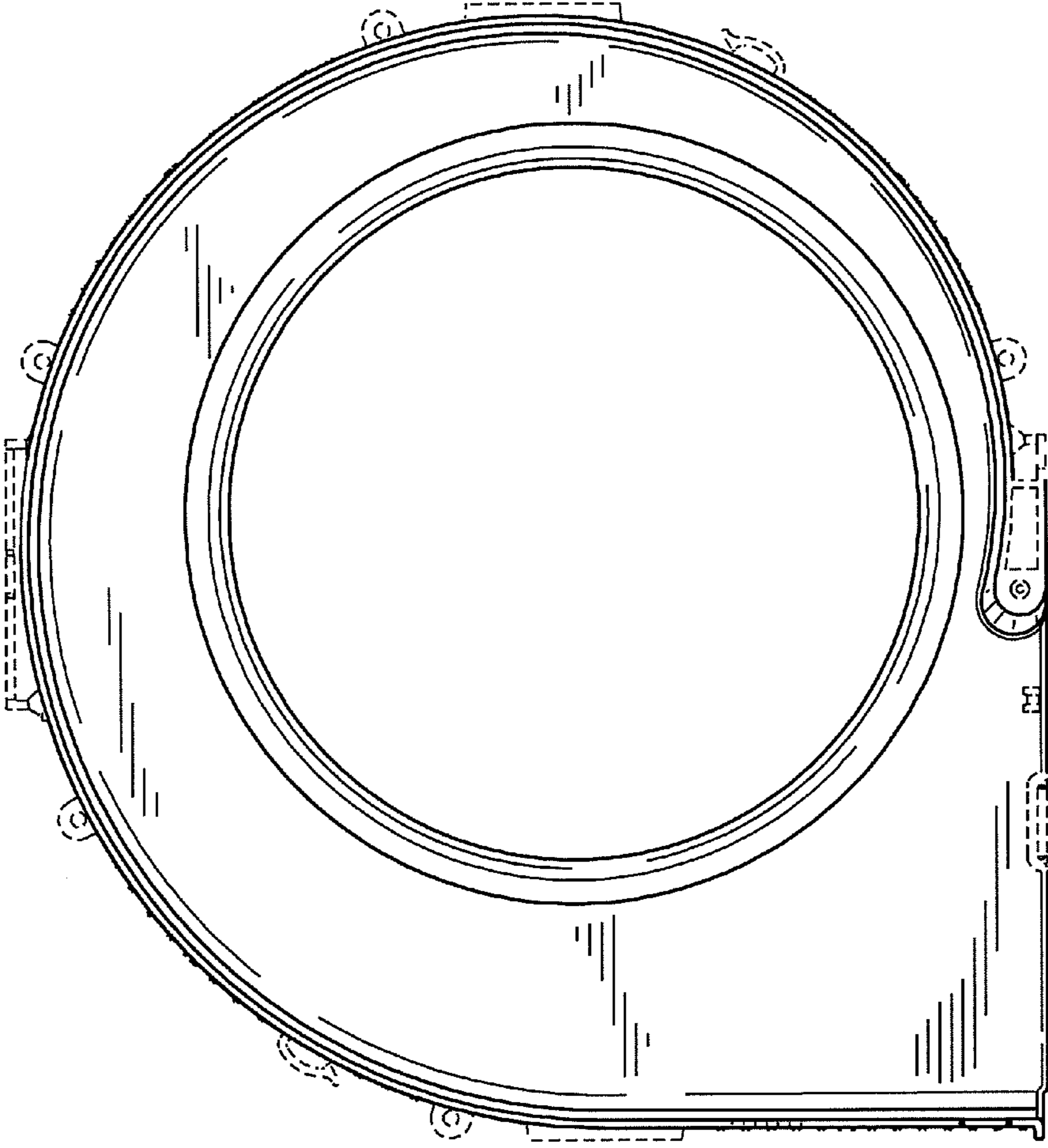


FIG. 2

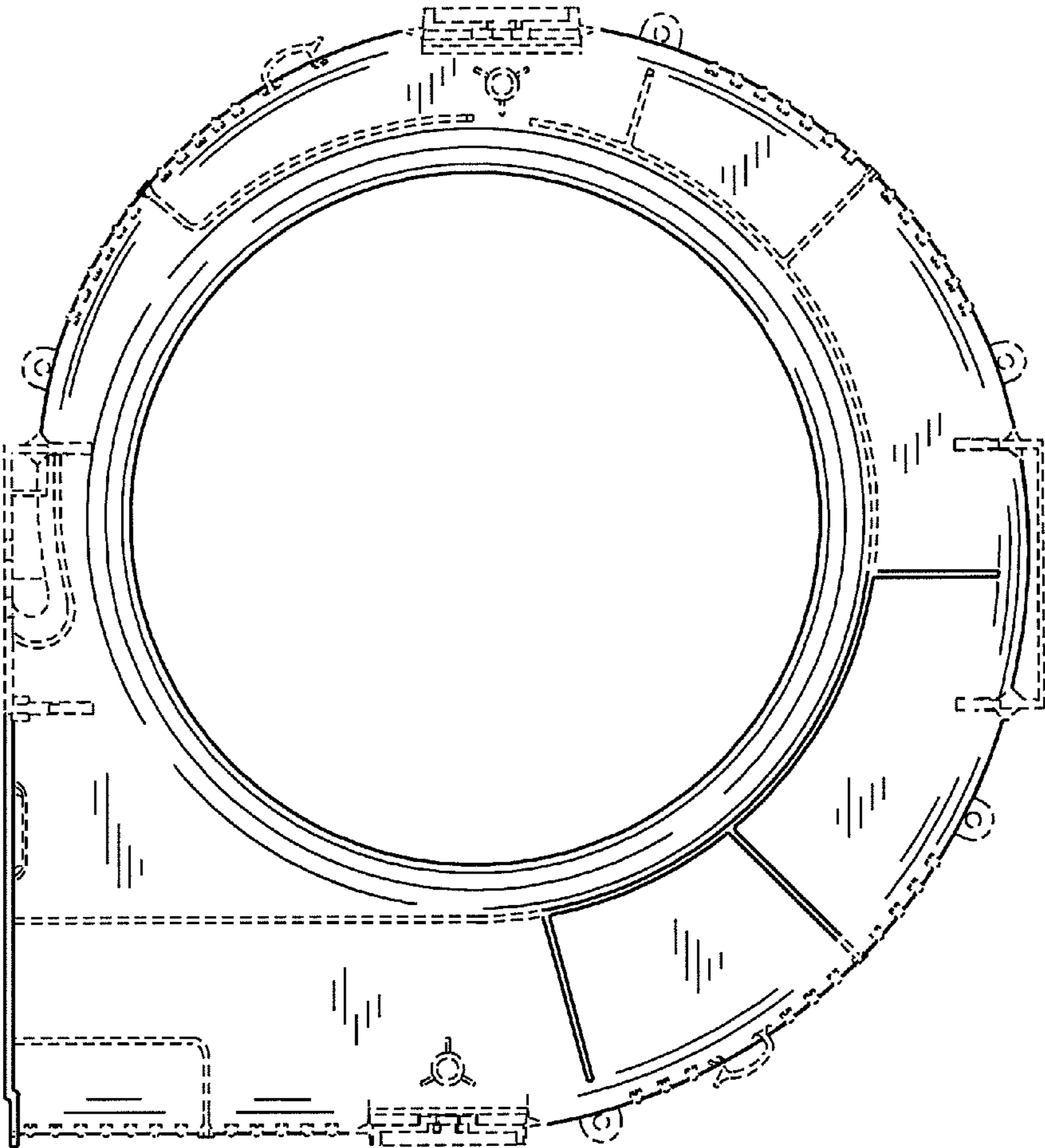


FIG. 3

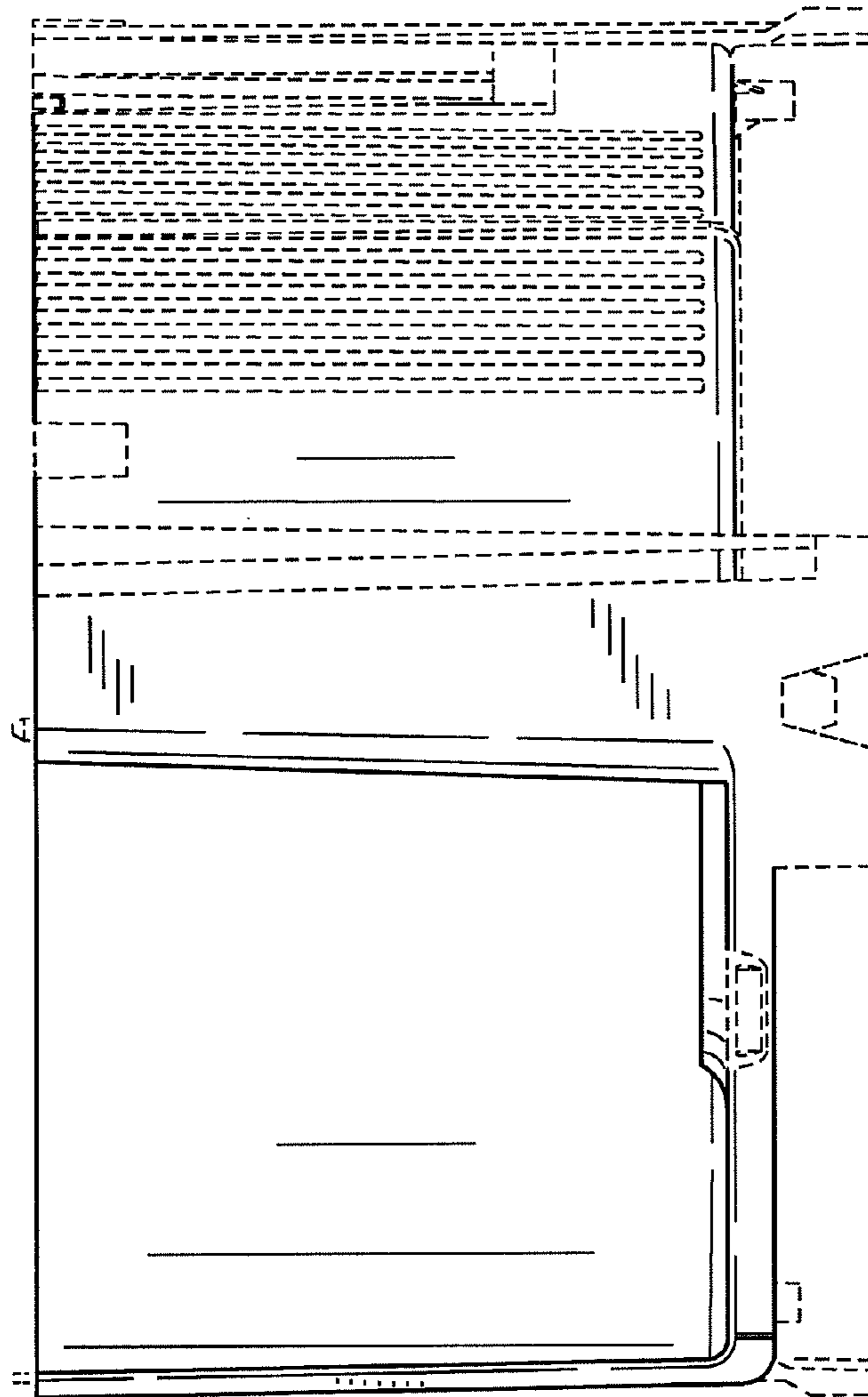


FIG. 4

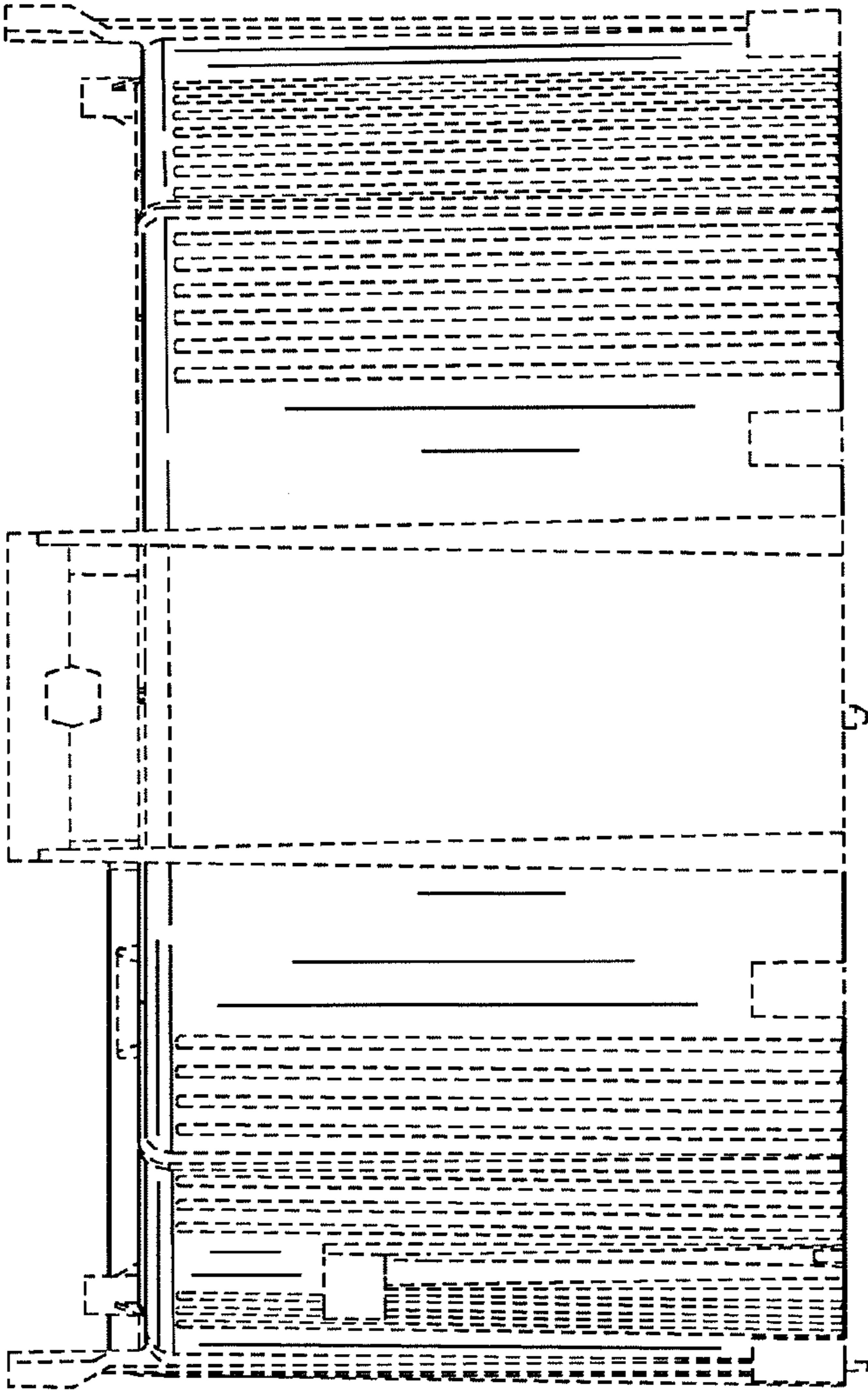


FIG. 5

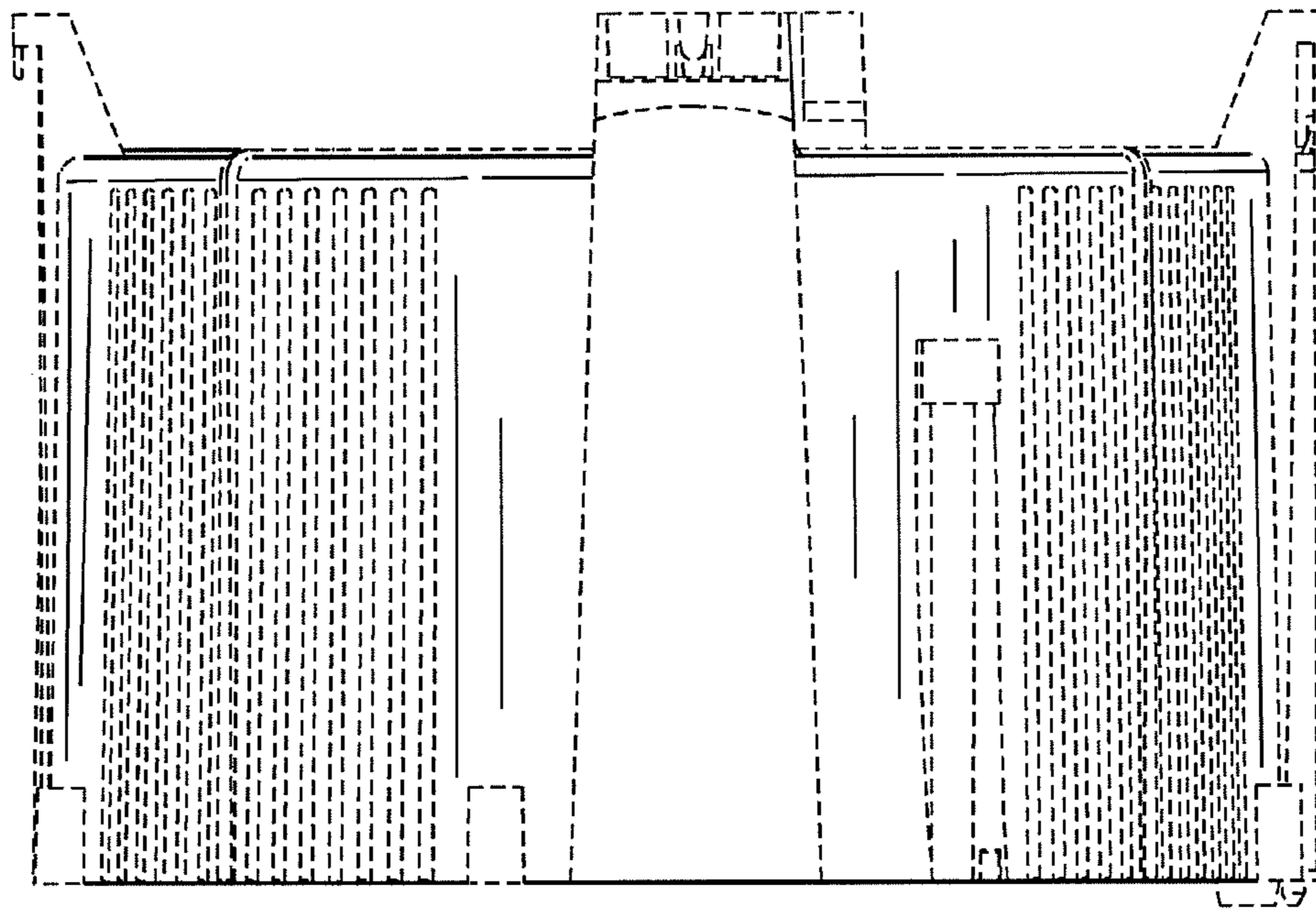


FIG. 6

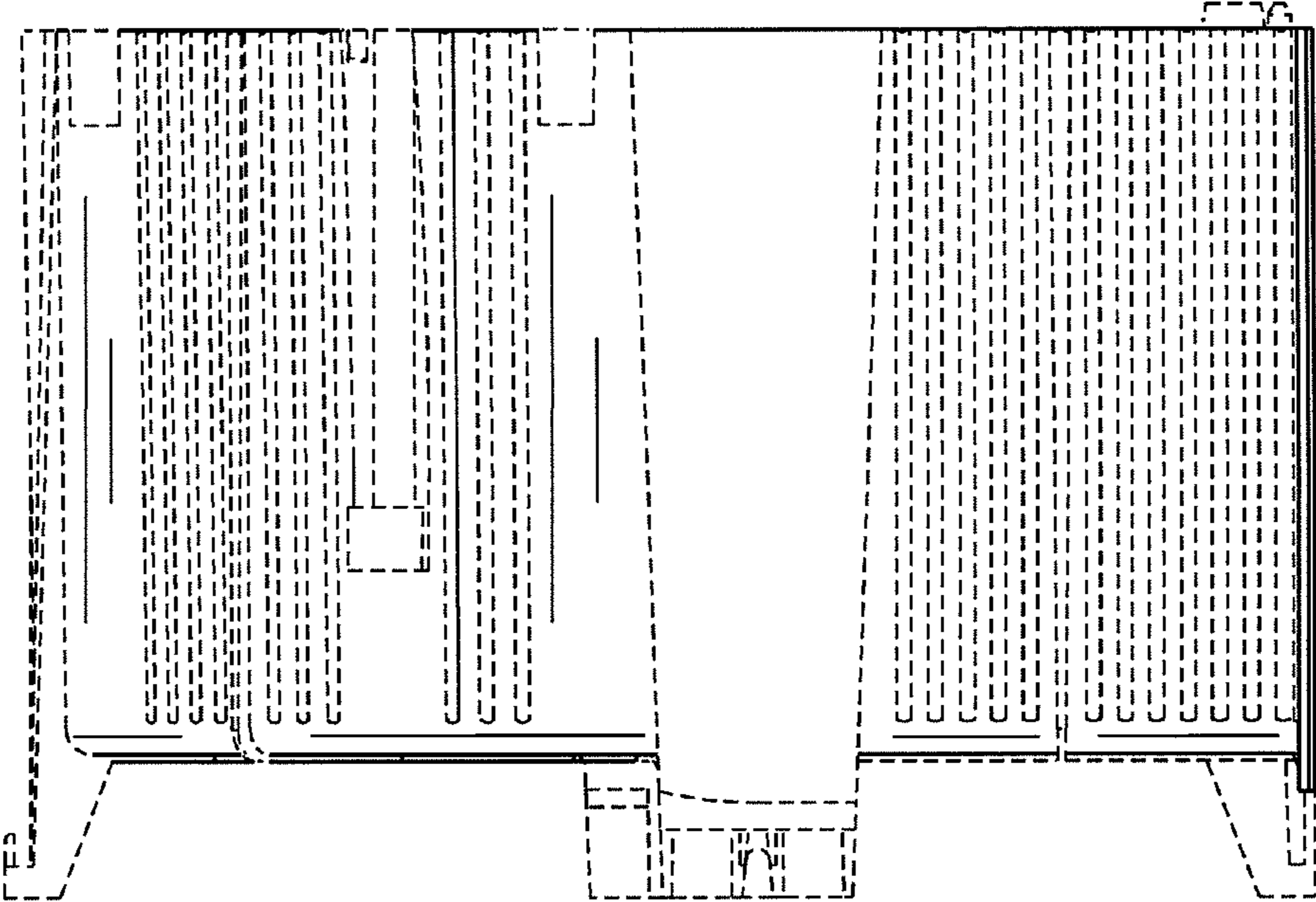


FIG. 7