

US00D669568S

(12) **United States Design Patent**
Mandell et al.

(10) **Patent No.:** **US D669,568 S**
(45) **Date of Patent:** **** *Oct. 23, 2012**

(54) **DIFFUSER**
(75) Inventors: **Jonathan N. Mandell**, Gurnee, IL (US);
George Kyaw Soe Maung Aye,
Chicago, IL (US); **Dan Kraemer**,
Chicago, IL (US)
(73) Assignee: **S.C. Johnson & Son, Inc.**, Racine, WI
(US)
(*) Notice: This patent is subject to a terminal dis-
claimer.

D501,676 S 2/2005 Millan
D510,423 S 10/2005 Caserta et al.
D518,160 S 3/2006 Normark
D528,283 S * 9/2006 Holmes D2/972
D529,162 S * 9/2006 Bulsink D23/366
D534,265 S * 12/2006 Weggelaar D23/366
D534,642 S 1/2007 Caserta et al.
D535,735 S * 1/2007 Ruiz Ballesteros et al. . D23/366
D542,902 S 5/2007 Caserta et al.
D542,903 S 5/2007 Caserta et al.
D548,318 S * 8/2007 Copeman D23/366
D555,480 S 11/2007 Nicosia et al.
D556,311 S * 11/2007 Copeman D23/366

(Continued)

(**) Term: **14 Years**

OTHER PUBLICATIONS

(21) Appl. No.: **29/369,529**

Attached photographs depict a device found in a Spanish grocery store (Mercadona) in 2010, 3 pages.

(22) Filed: **Sep. 9, 2010**

Primary Examiner — Sandra Snapp

(51) **LOC (9) Cl.** **28-99**

(52) **U.S. Cl.** **D23/366**

(58) **Field of Classification Search** D23/355-369;
D28/5, 6; 261/DIG. 17, DIG. 42, DIG. 47,
261/DIG. 55, DIG. 65, DIG. 70, DIG. 88,
261/DIG. 89; 392/386, 390, 392, 394, 395;
239/34, 44, 53, 56, 60, 308, 326; 242/590,
242/594.5, 599

(57) **CLAIM**
The ornamental design for a diffuser, as shown and described.

See application file for complete search history.

DESCRIPTION

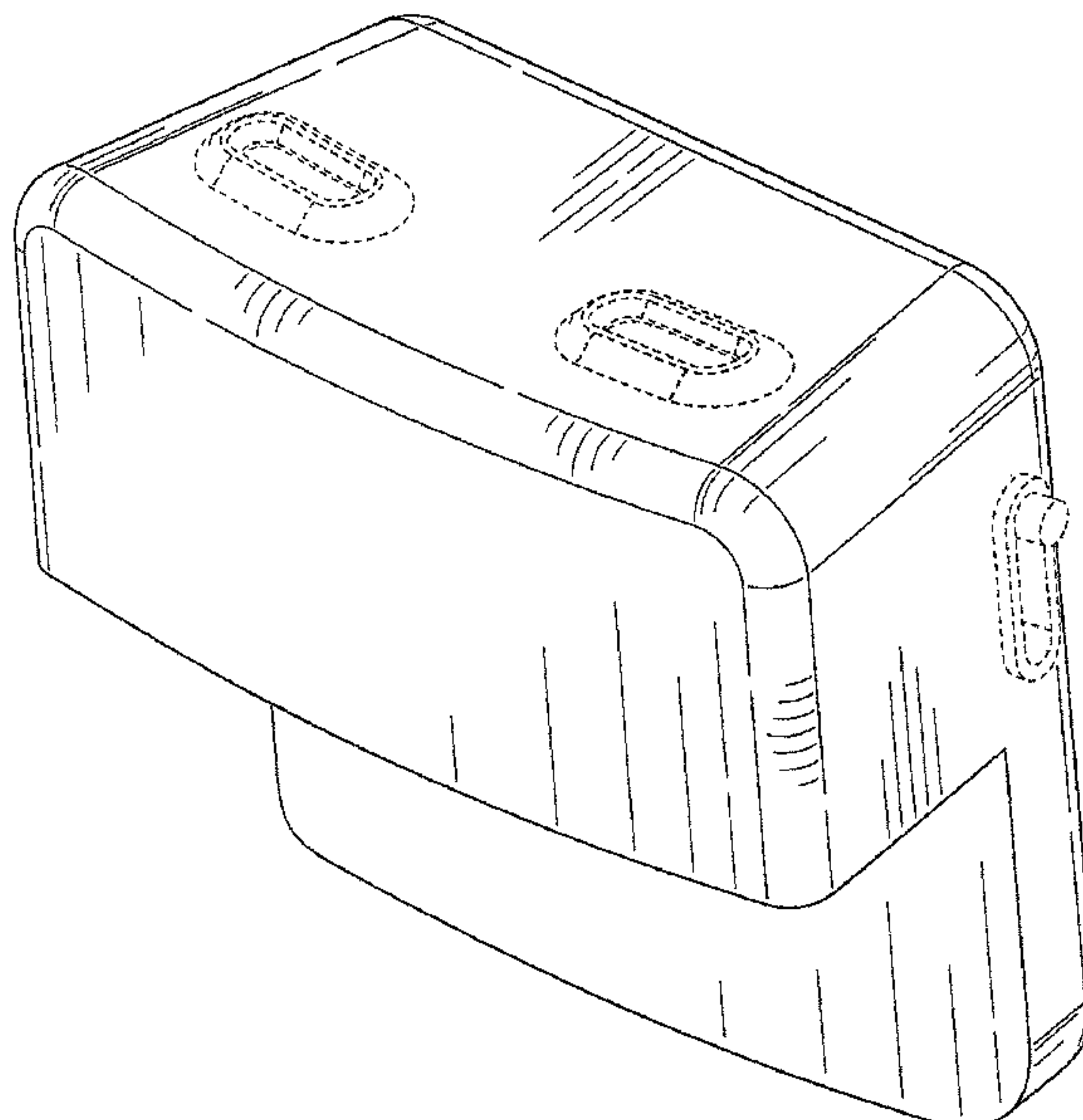
(56) **References Cited**

U.S. PATENT DOCUMENTS

D332,836 S 1/1993 Ham
D334,642 S 4/1993 Allen
D374,294 S 10/1996 Yuen
D407,477 S 3/1999 Chen
D431,660 S 10/2000 Yuen
D432,222 S * 10/2000 Rymer et al. D23/366
D433,744 S * 11/2000 Basaganas D23/366
D437,636 S 2/2001 Basaganas
D453,560 S * 2/2002 Van Brunt D23/355
D461,549 S * 8/2002 Garcia D23/360

FIG. 1 is a top perspective view of a first embodiment of a diffuser of the present invention;
FIG. 2 is a front elevational view of the diffuser of FIG. 1;
FIG. 3 is a rear elevational view of the diffuser of FIG. 1;
FIG. 4 is an elevational view of a first side of the diffuser of FIG. 1;
FIG. 5 is an elevational view of a second side of the diffuser of FIG. 1, wherein the second side is opposite the first side; and,
FIG. 6 is a top plan view of the diffuser of FIG. 1.
The subject matter shown in the figures above in dashed lines forms no part of the claimed invention. Further, the bottom view forms no part of the claimed invention.

1 Claim, 6 Drawing Sheets



US D669,568 S

Page 2

U.S. PATENT DOCUMENTS

D561,319 S *	2/2008	Weggelaar	D23/366	D596,730 S *	7/2009	Langley et al.	D23/366
D562,958 S	2/2008	Feriani et al.		D604,402 S	11/2009	Vilarasa et al.	
D574,941 S *	8/2008	Weggelaar	D23/366	D604,823 S	11/2009	Schwartz et al.	
D582,025 S	12/2008	Zobeles et al.		D604,824 S	11/2009	Paolazzi et al.	
D582,531 S	12/2008	Israel et al.		D605,272 S	12/2009	Chun et al.	
D584,808 S	1/2009	Moreno Perez et al.		D608,435 S *	1/2010	Zobeles et al.	D23/366
D586,900 S *	2/2009	Weggelaar	D23/366	D625,797 S *	10/2010	Poves et al.	D23/366
D596,729 S	7/2009	Langley et al.		D626,205 S *	10/2010	Fabregas et al.	D23/366

* cited by examiner

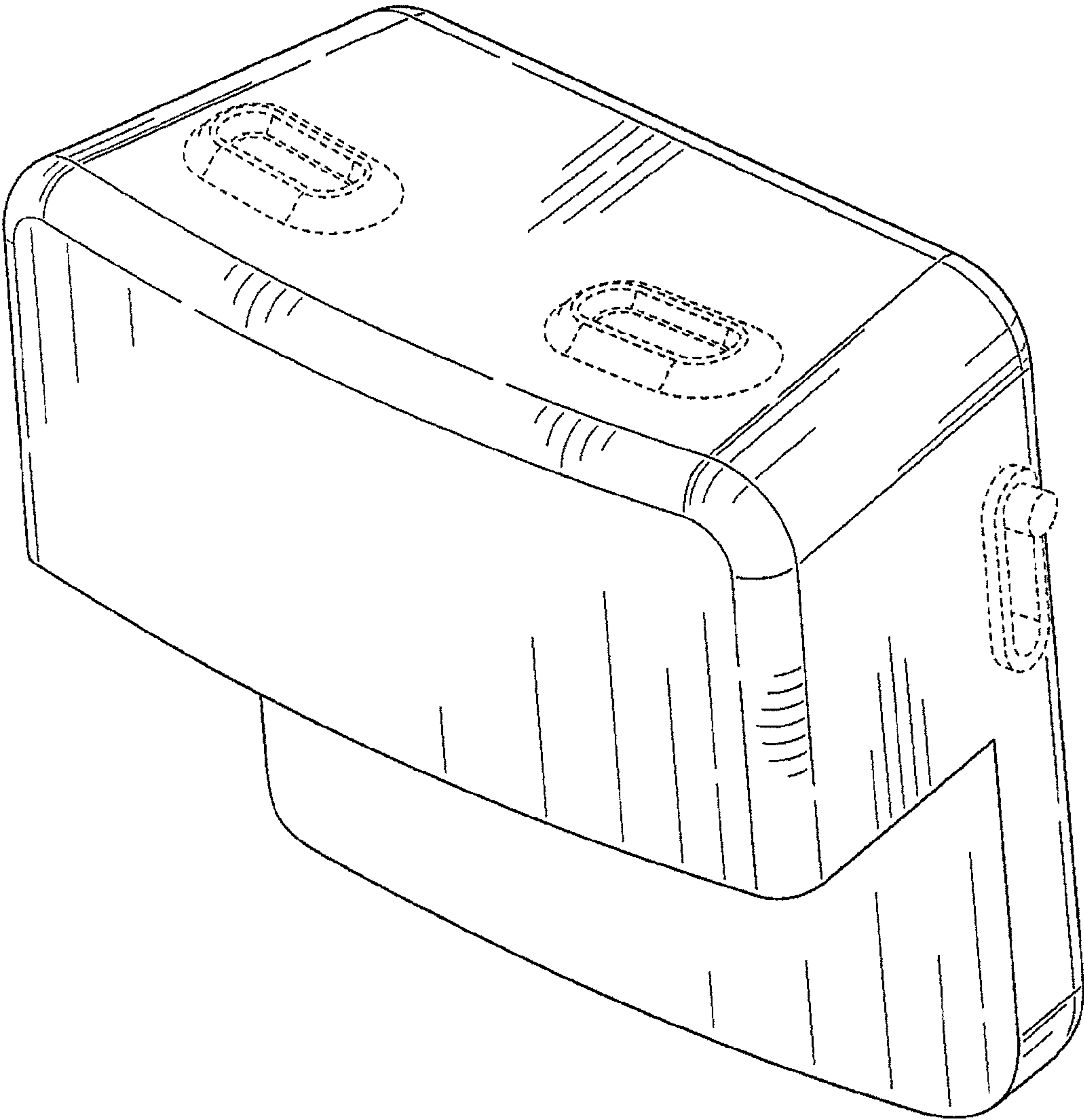


FIG. 1

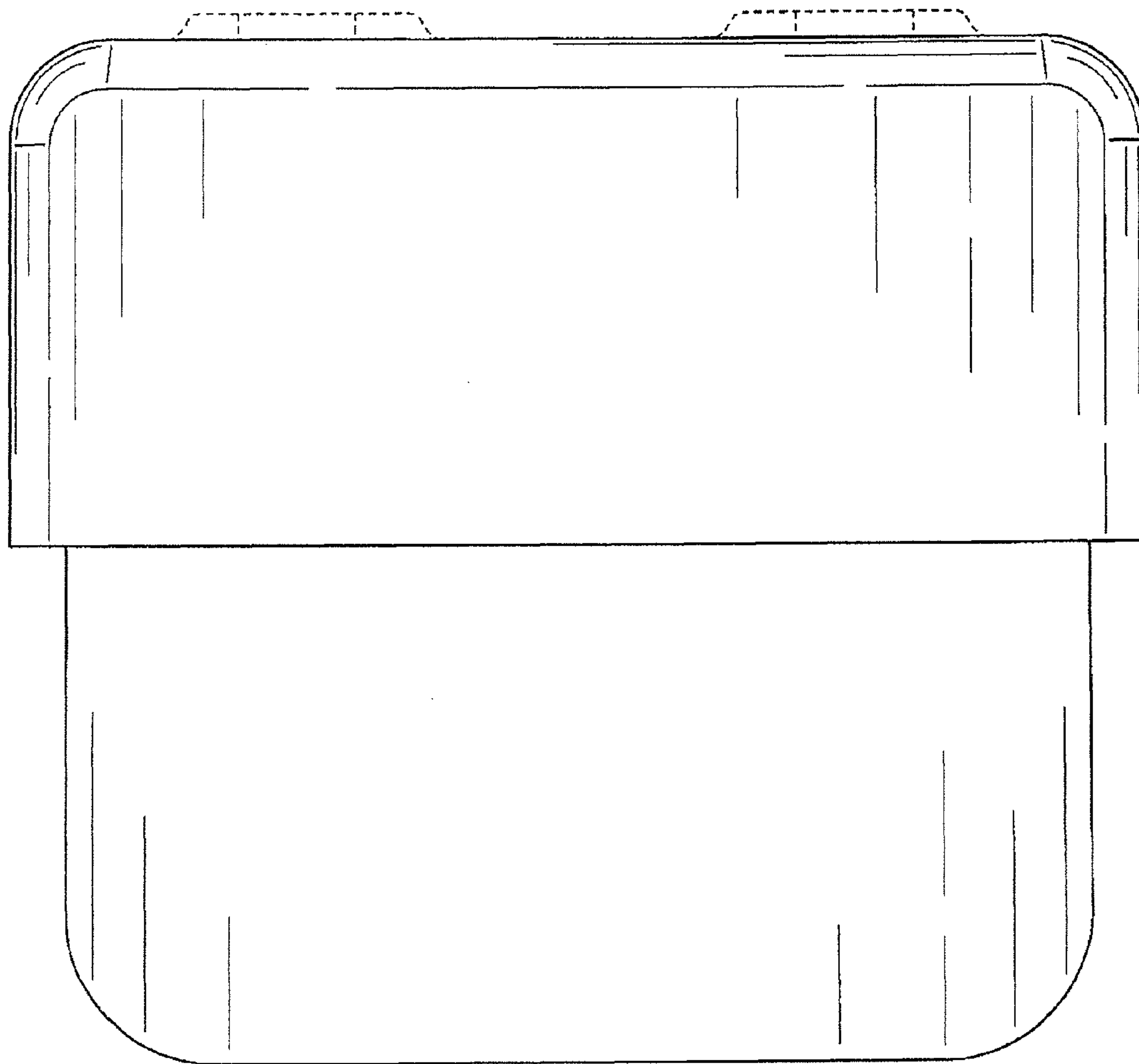


FIG. 2

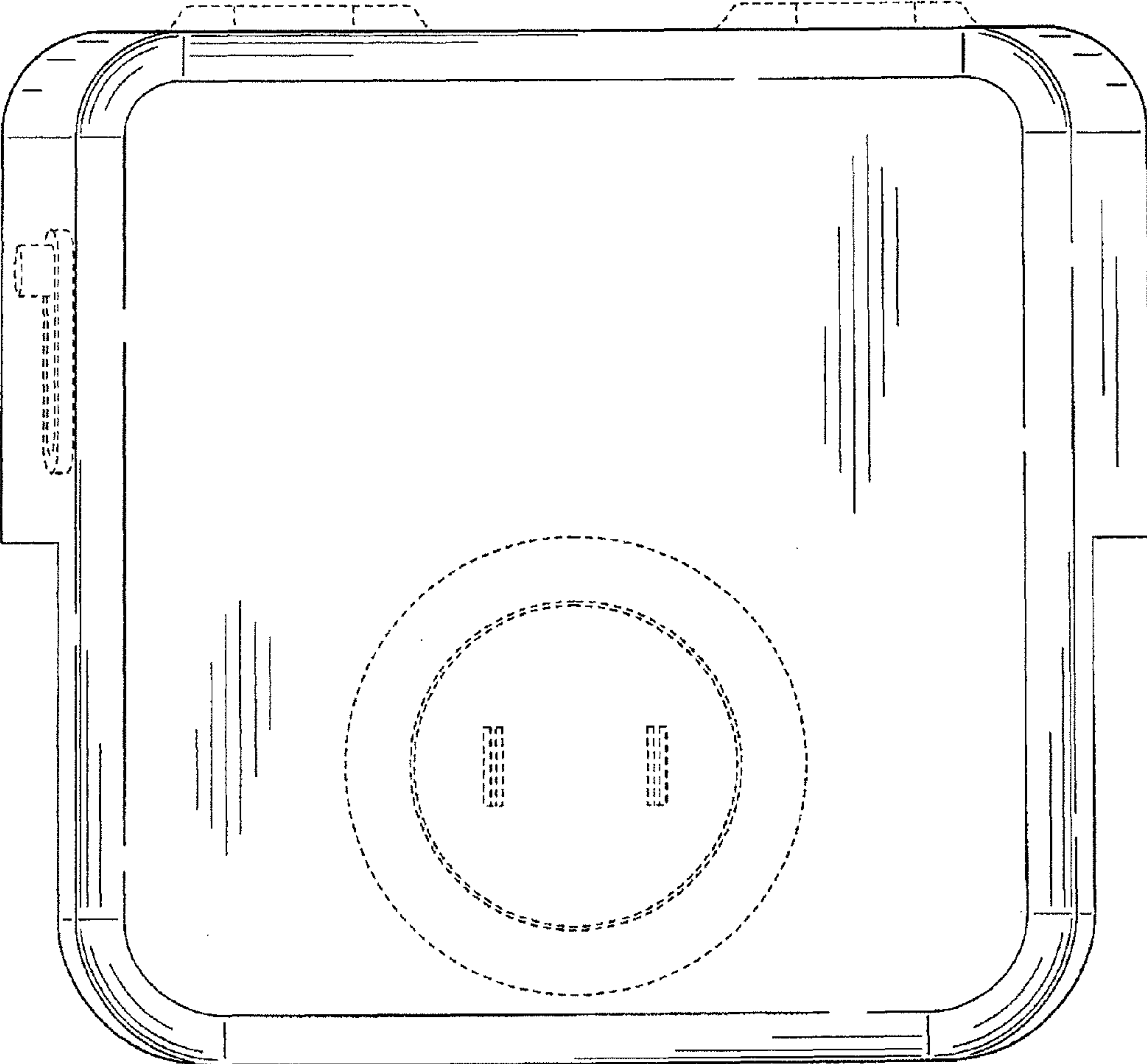


FIG. 3

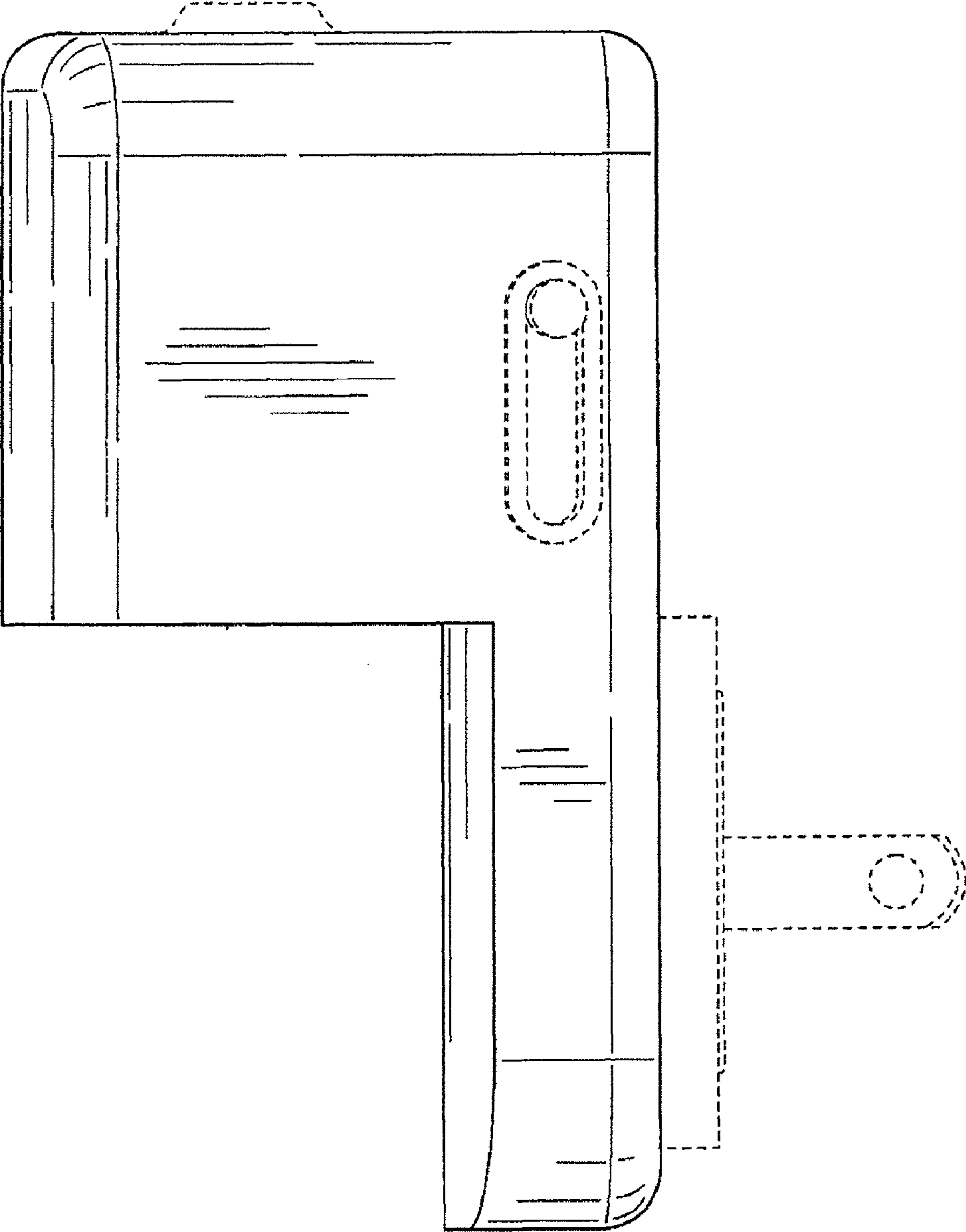


FIG. 4

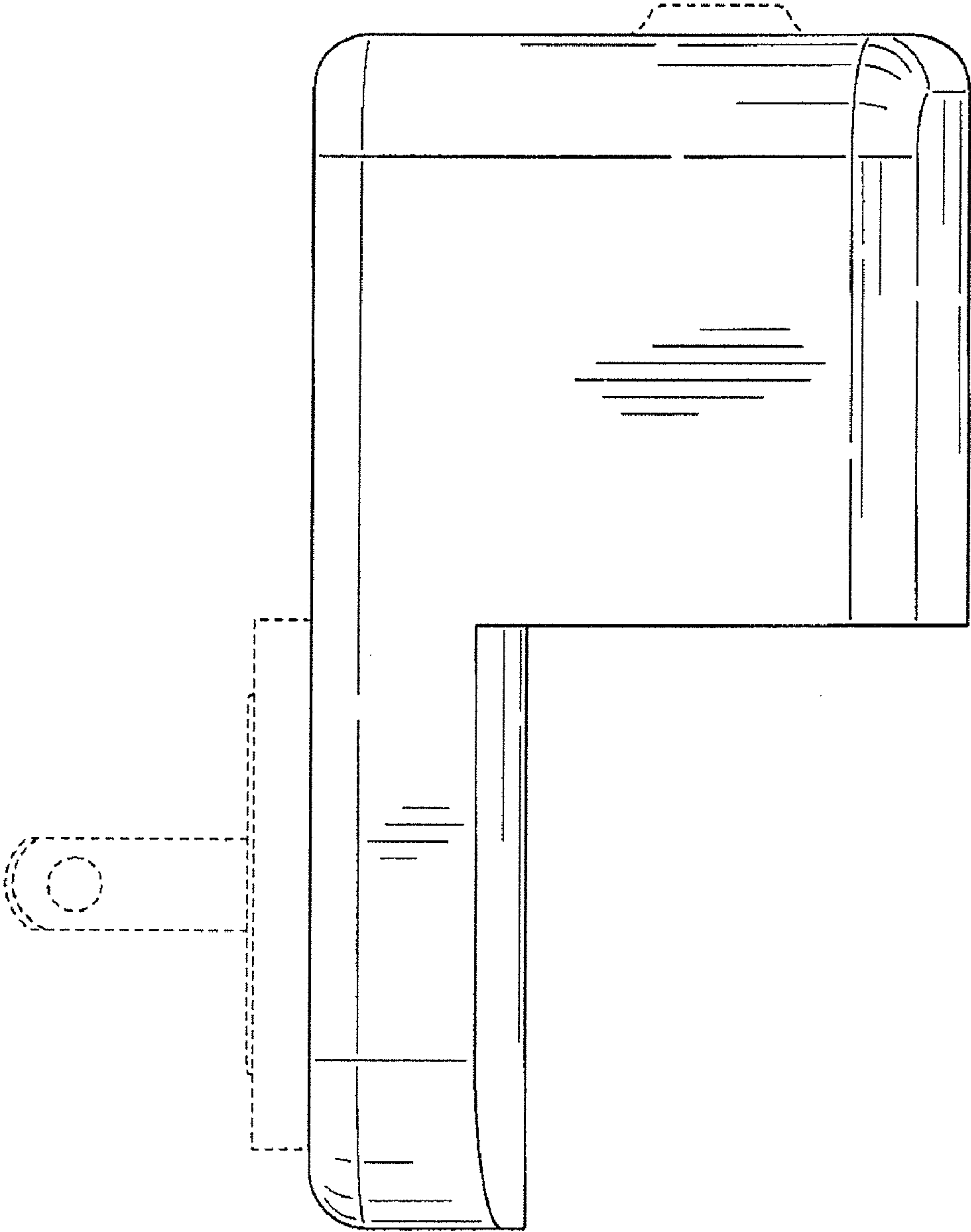


FIG. 5

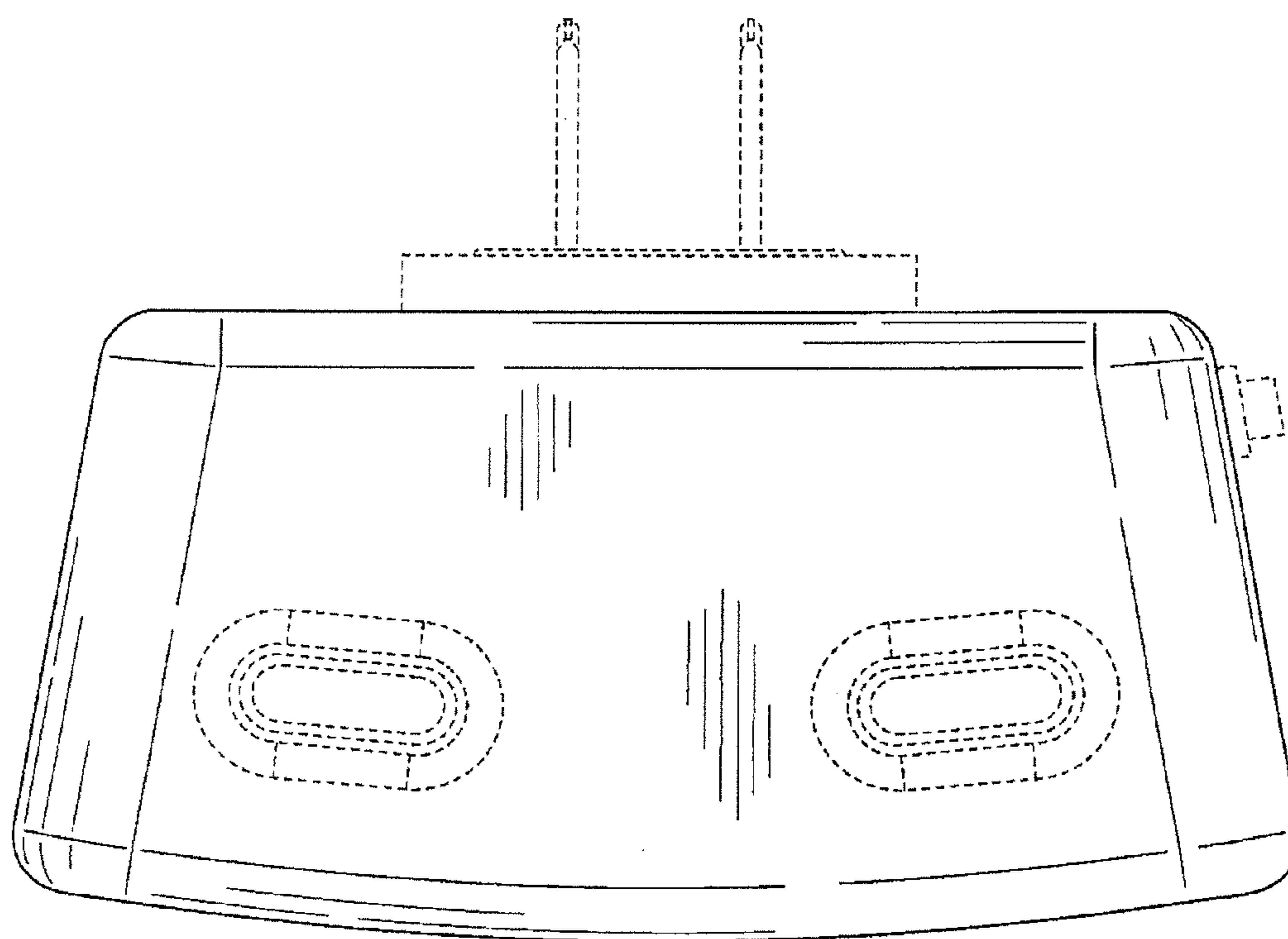


FIG. 6