

US00D669565S

(12) **United States Design Patent**
Baugh et al.

(10) **Patent No.:** **US D669,565 S**

(45) **Date of Patent:** **** Oct. 23, 2012**

(54) **TOILET SEAT**

(75) Inventors: **David Clyde Baugh**, Bakersfield, CA (US); **Rodney Blair**, Bakersfield, CA (US)

(73) Assignee: **David Clyde Baugh**, Bakersfield, CA (US)

(**) Term: **14 Years**

(21) Appl. No.: **29/395,839**

(22) Filed: **Apr. 9, 2012**

(51) **LOC (9) Cl.** **23-02**

(52) **U.S. Cl.** **D23/311**

(58) **Field of Classification Search** D23/295, D23/299, 303, 309, 311, 296; 4/234, 236, 4/444, 664, 480, 902

See application file for complete search history.

(56) **References Cited**

U.S. PATENT DOCUMENTS

D277,500 S * 2/1985 McGill D23/311
4,621,380 A * 11/1986 McGill 4/476

D485,606 S * 1/2004 Delgado et al. D23/311
7,434,276 B2 * 10/2008 Cheng 4/460
D591,408 S * 4/2009 Sato et al. D23/299

* cited by examiner

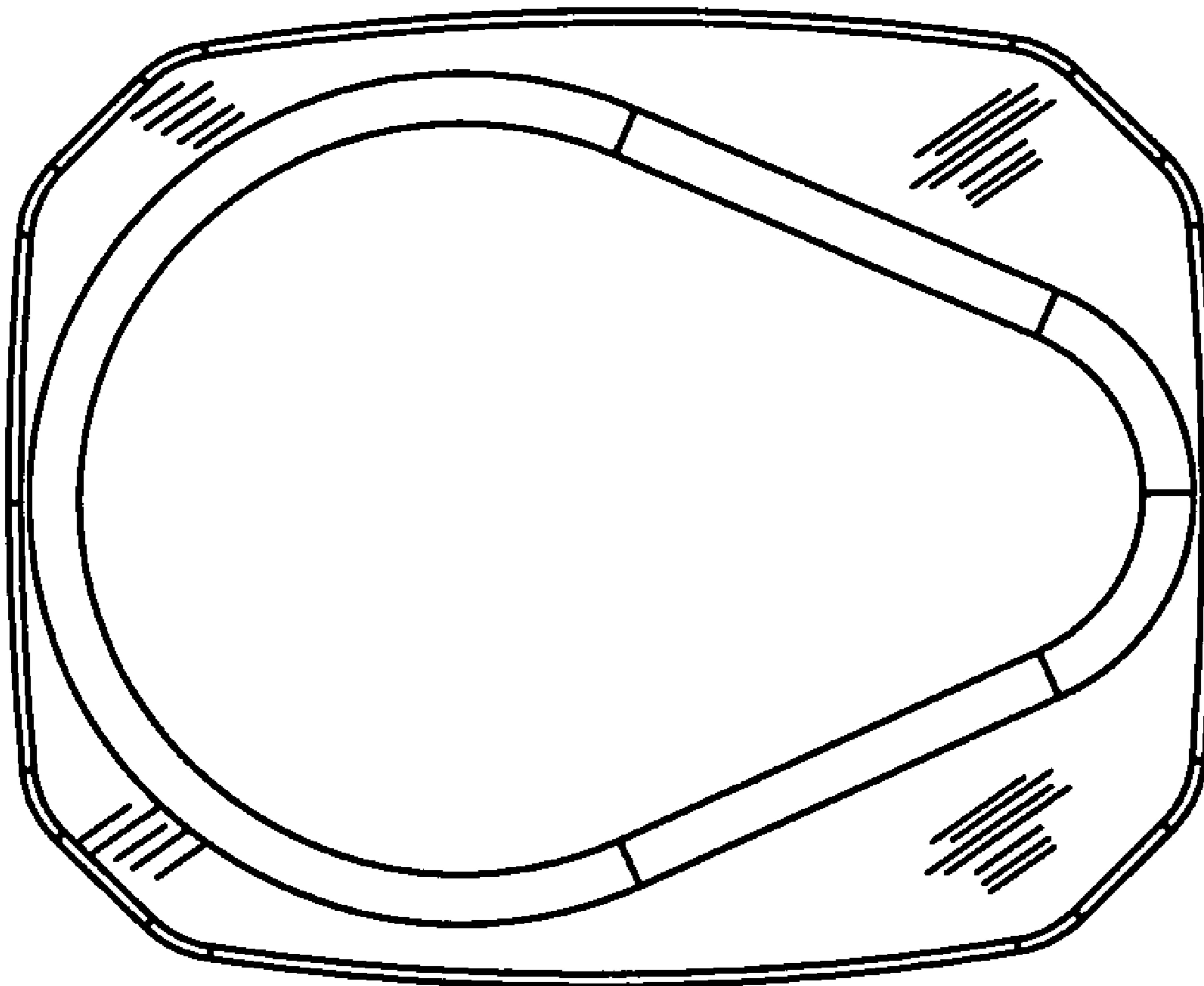
Primary Examiner — Robert Delehanty

(57) **CLAIM**
The ornamental design of a toilet seat.

DESCRIPTION

FIG. 1 is a top view of a toilet seat showing the new design
FIG. 2 is a frontal view of the toilet seat of FIG. 1
FIG. 3 is a side view of the toilet seat of FIG. 1
FIG. 4 is a bottom view of the toilet seat of FIG. 1
FIG. 5 is a top perspective view of the toilet seat of FIG. 1
FIG. 6 is a bottom perspective view of the toilet seat of FIG. 1
FIG. 7 is a perspective view of the toilet seat of FIG. 1 shown on the bucket
FIG. 8 is a perspective view of the toilet seat of FIG. 1 suspended above the bucket; and
FIG. 9 is a perspective view of the toilet seat of FIG. 1 shown inside the bucket for storage.

1 Claim, 3 Drawing Sheets



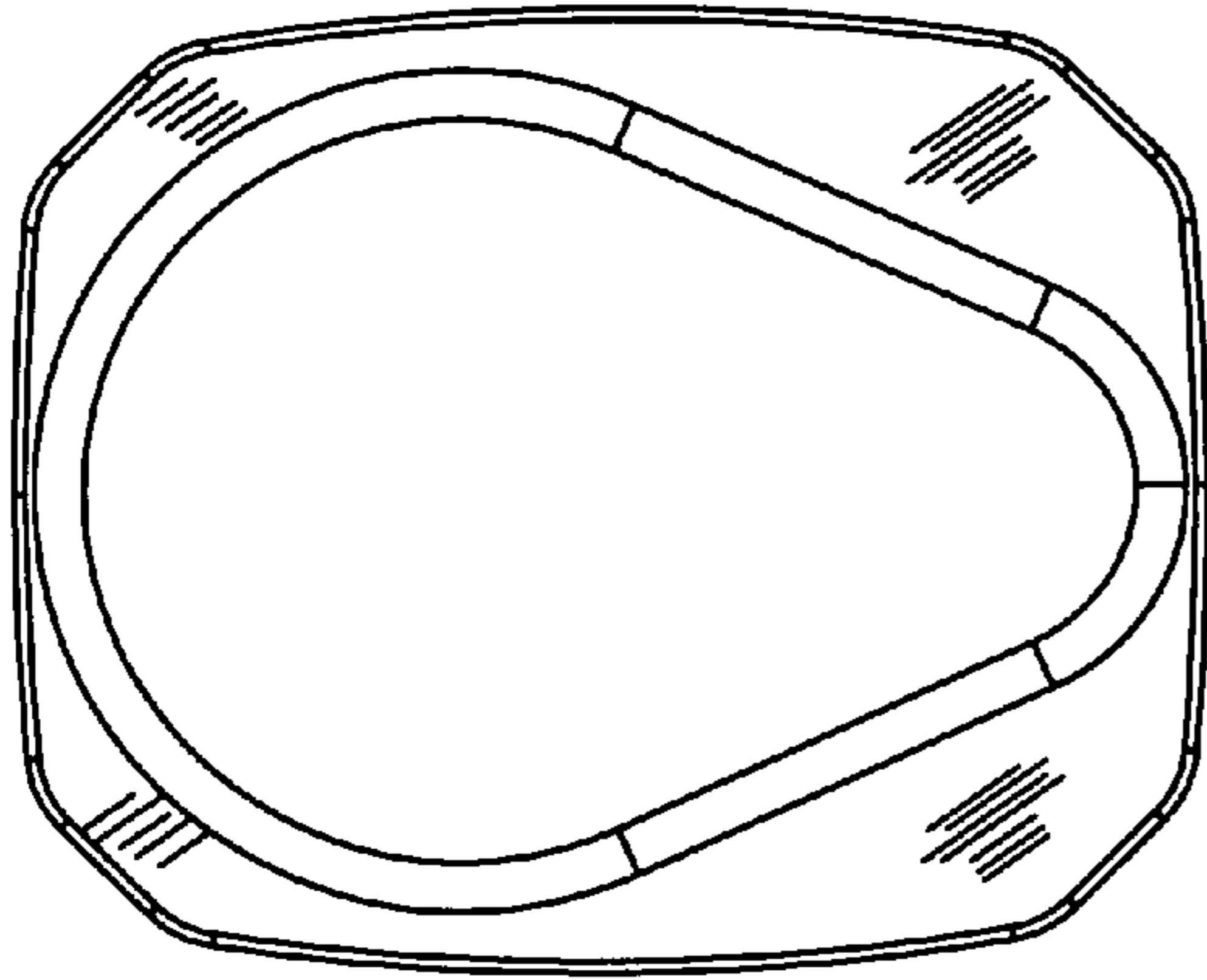


Fig. 1

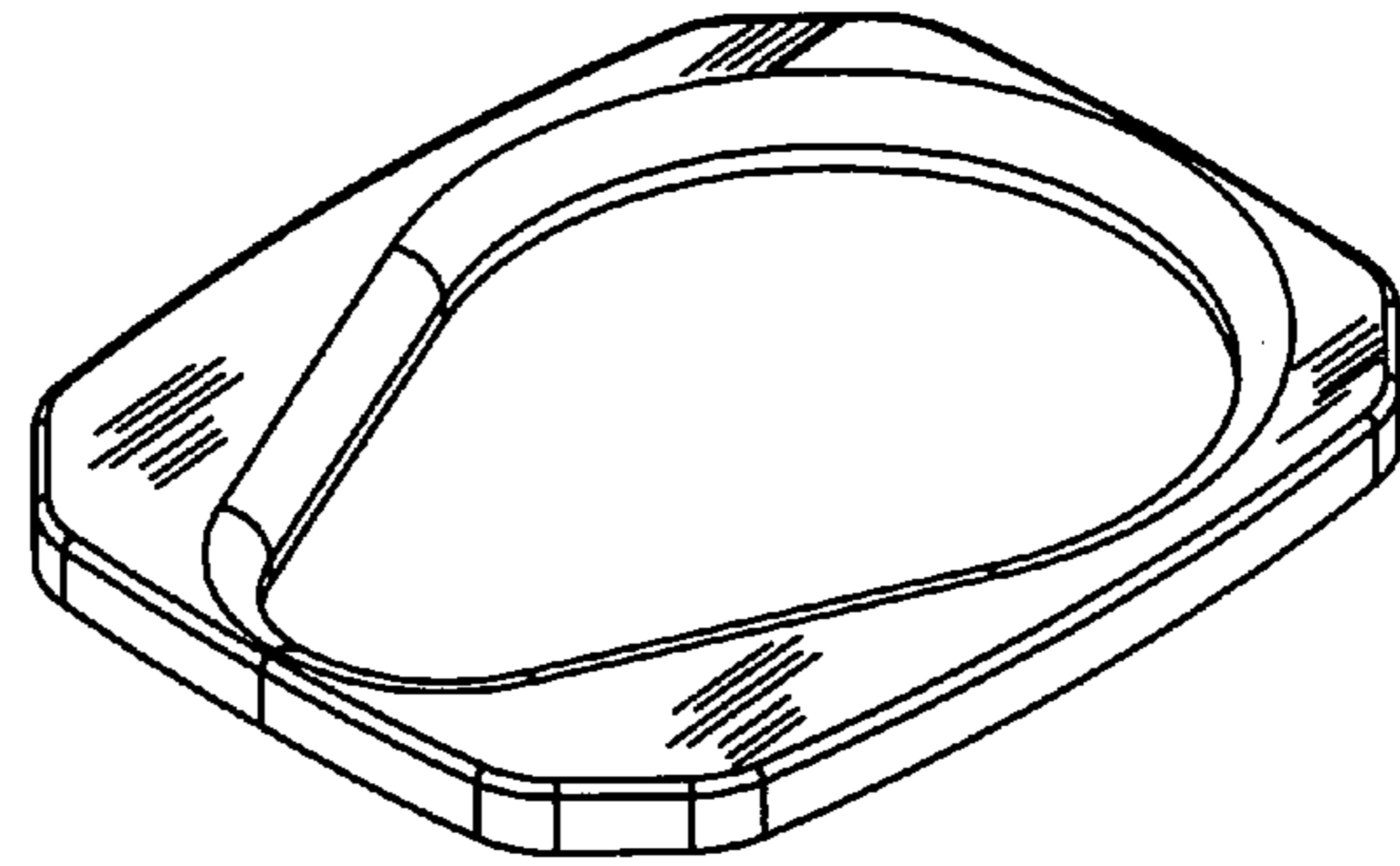


Fig. 5



Fig. 2



Fig. 3

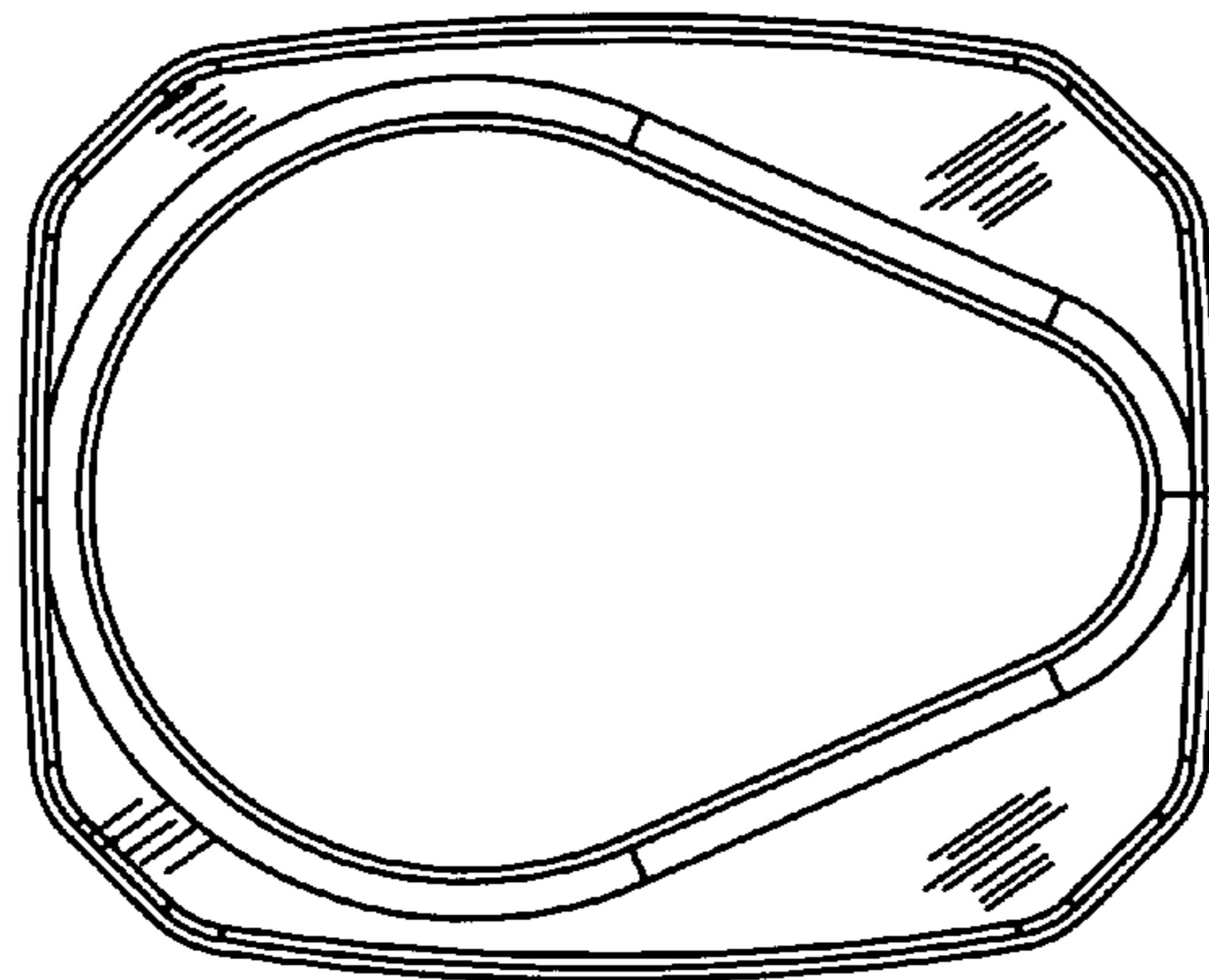


Fig. 4

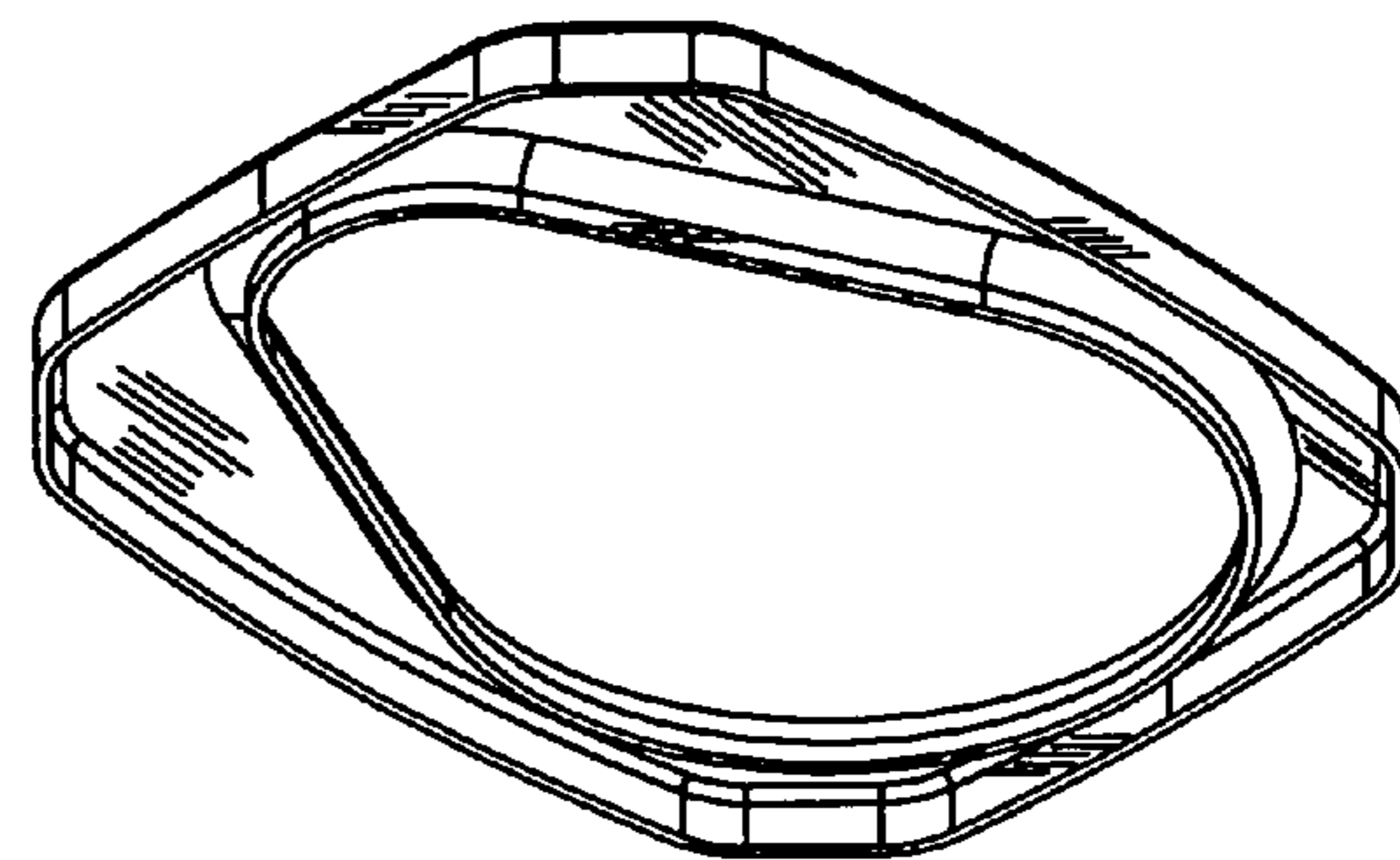


Fig. 6

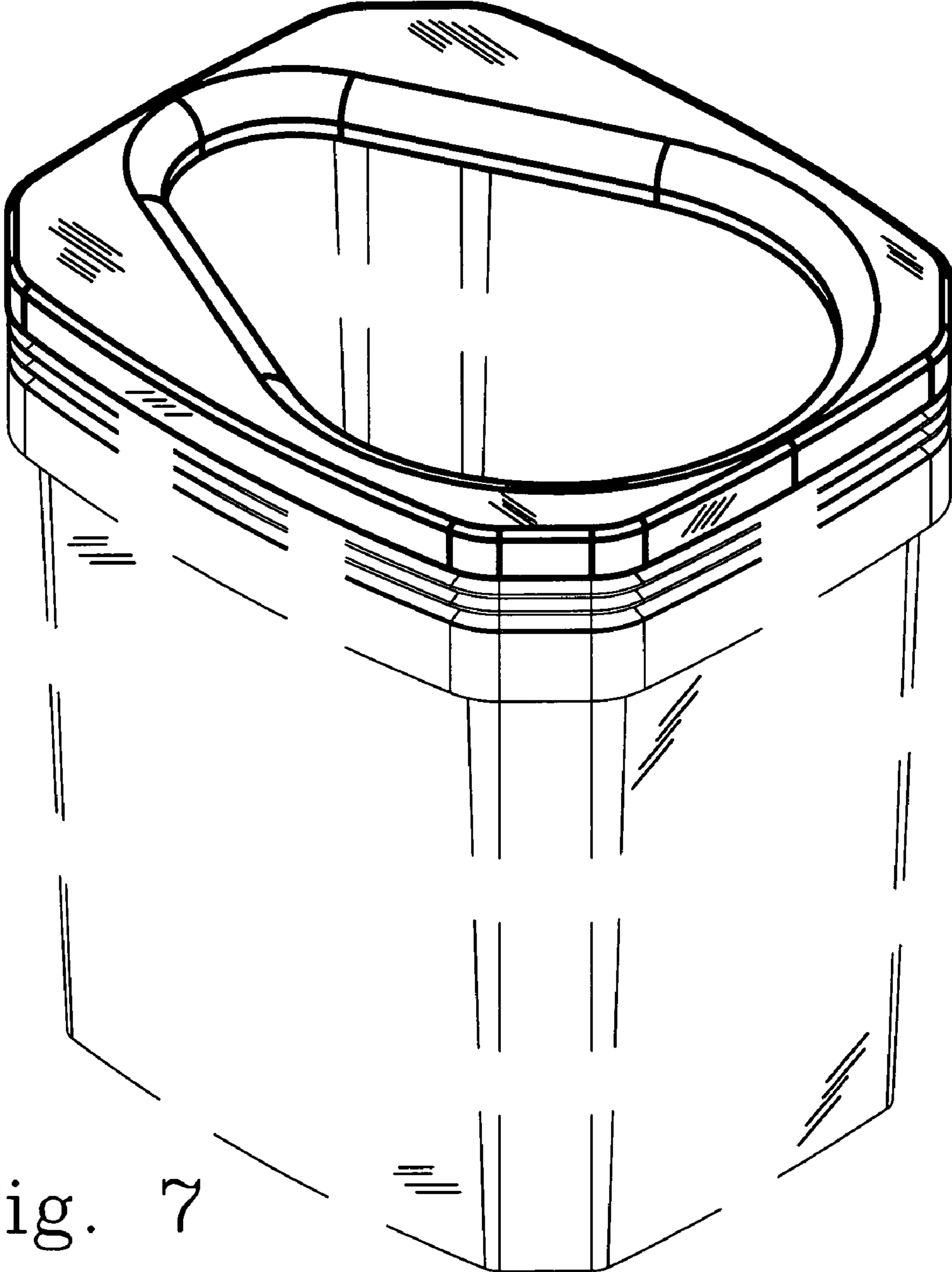


Fig. 7

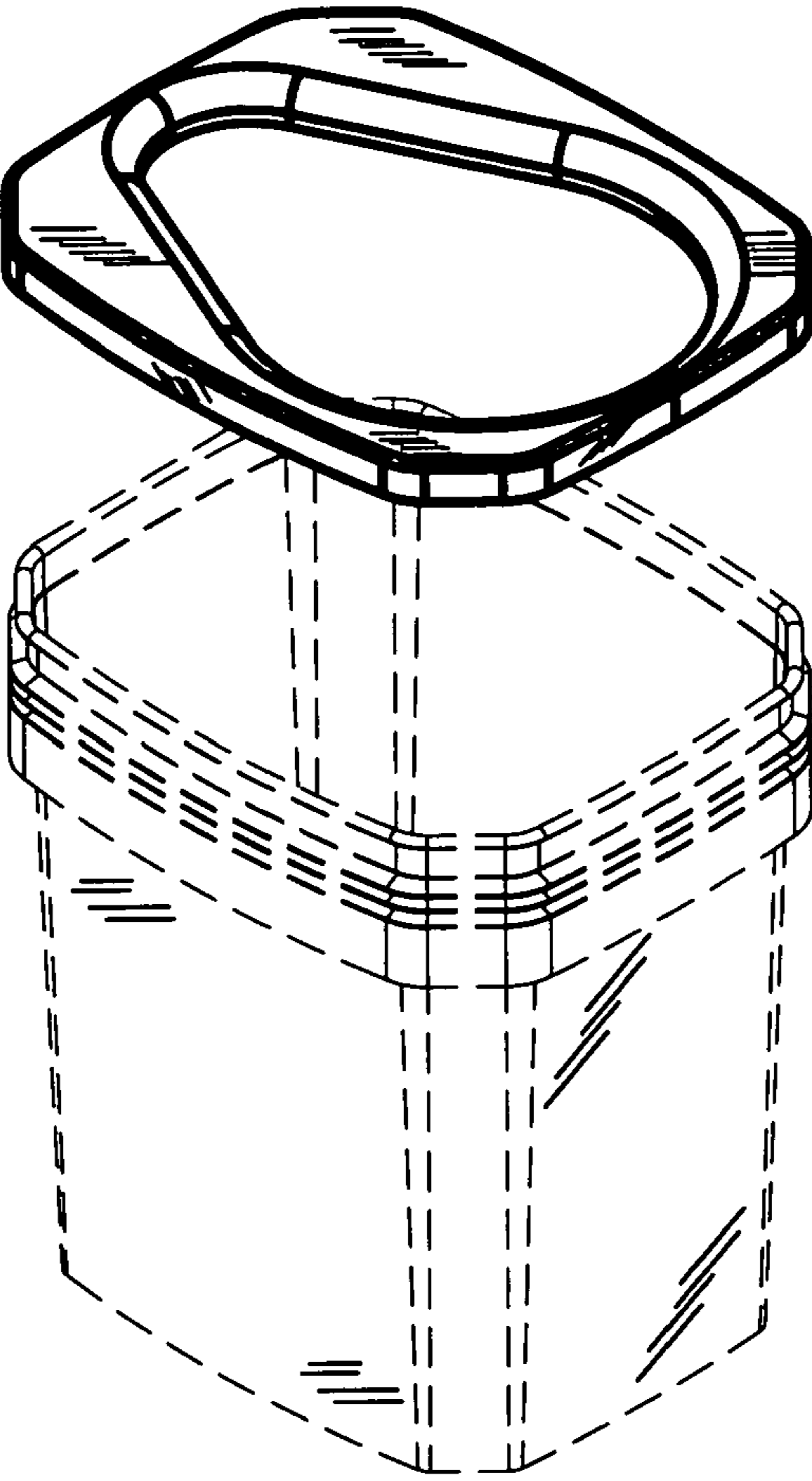


Fig. 8

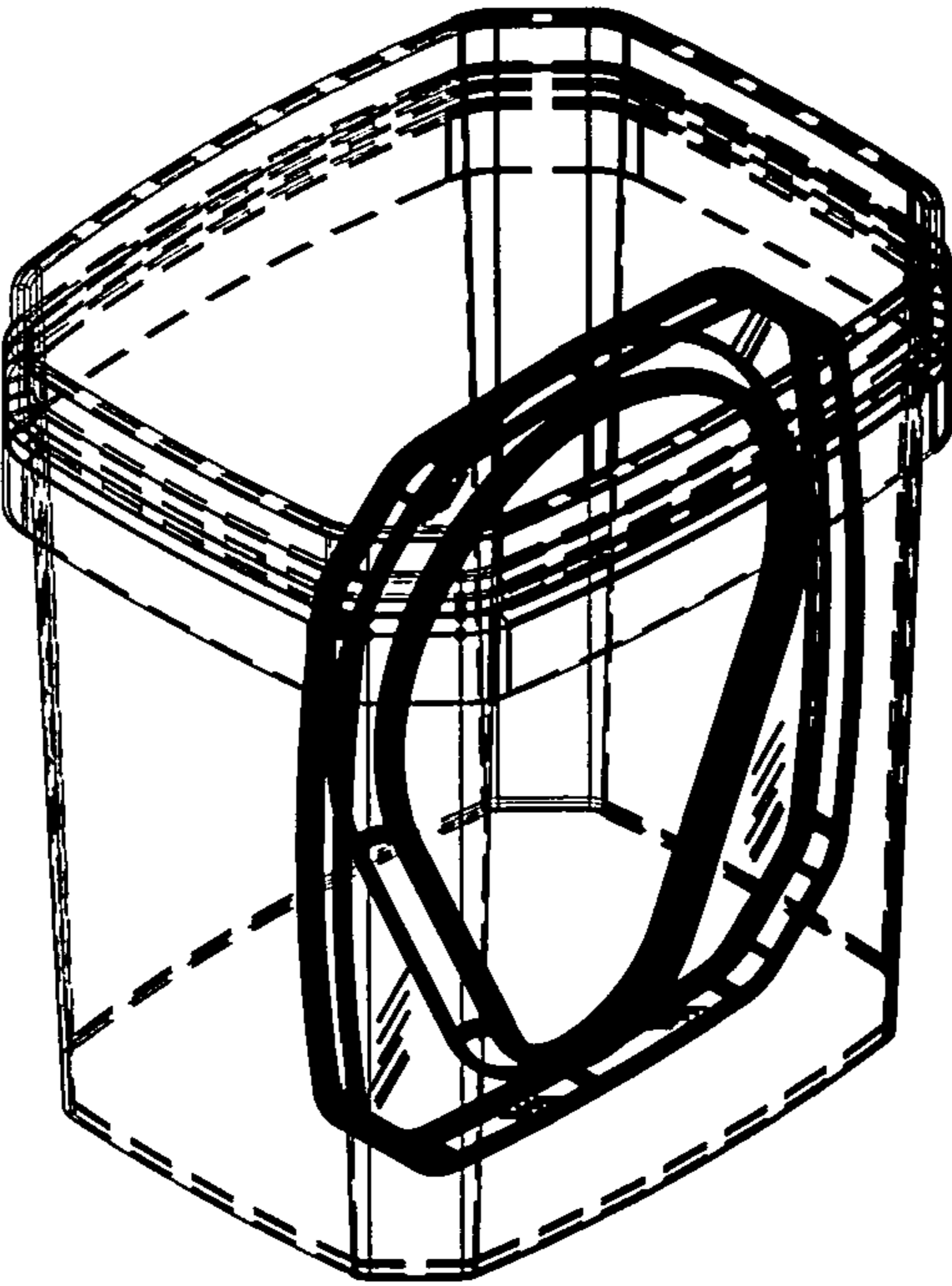


Fig. 9