



US00D669563S

(12) **United States Design Patent**
Vanderheyden et al.

(10) **Patent No.:** **US D669,563 S**

(45) **Date of Patent:** **** Oct. 23, 2012**

(54) **LAVATORY**

(75) Inventors: **Jacob P. Vanderheyden**, Sheboygan, WI (US); **Jacob Lusson**, Clayton, MO (US); **Nicholas Paterson**, Whitefish Bay, WI (US)

(73) Assignee: **Kohler Co.**, Kohler, WI (US)

(**) Term: **14 Years**

(21) Appl. No.: **29/413,016**

(22) Filed: **Feb. 9, 2012**

Related U.S. Application Data

(62) Division of application No. 29/385,777, filed on Feb. 18, 2011, now Pat. No. Des. 655,800.

(51) **LOC (9) Cl.** **23-02**

(52) **U.S. Cl.** **D23/308**

(58) **Field of Classification Search** D23/284, D23/290-292, 293.1, 303, 308; 4/619, 639-640
See application file for complete search history.

(56) **References Cited**

U.S. PATENT DOCUMENTS

D612,025 S 3/2010 Tanus
D622,825 S 8/2010 LeTourneau et al.
D636,855 S 4/2011 Thomas

Primary Examiner — Robert Delehanty

(74) *Attorney, Agent, or Firm* — Foley & Lardner LLP

(57) **CLAIM**

We claim the ornamental design for a lavatory, as shown and described.

DESCRIPTION

FIG. 1 is a top perspective view of an embodiment of the claimed design;

FIG. 2 is a top plan view of the claimed design of FIG. 1;

FIG. 3 is a bottom plan view of the claimed design of FIG. 1;

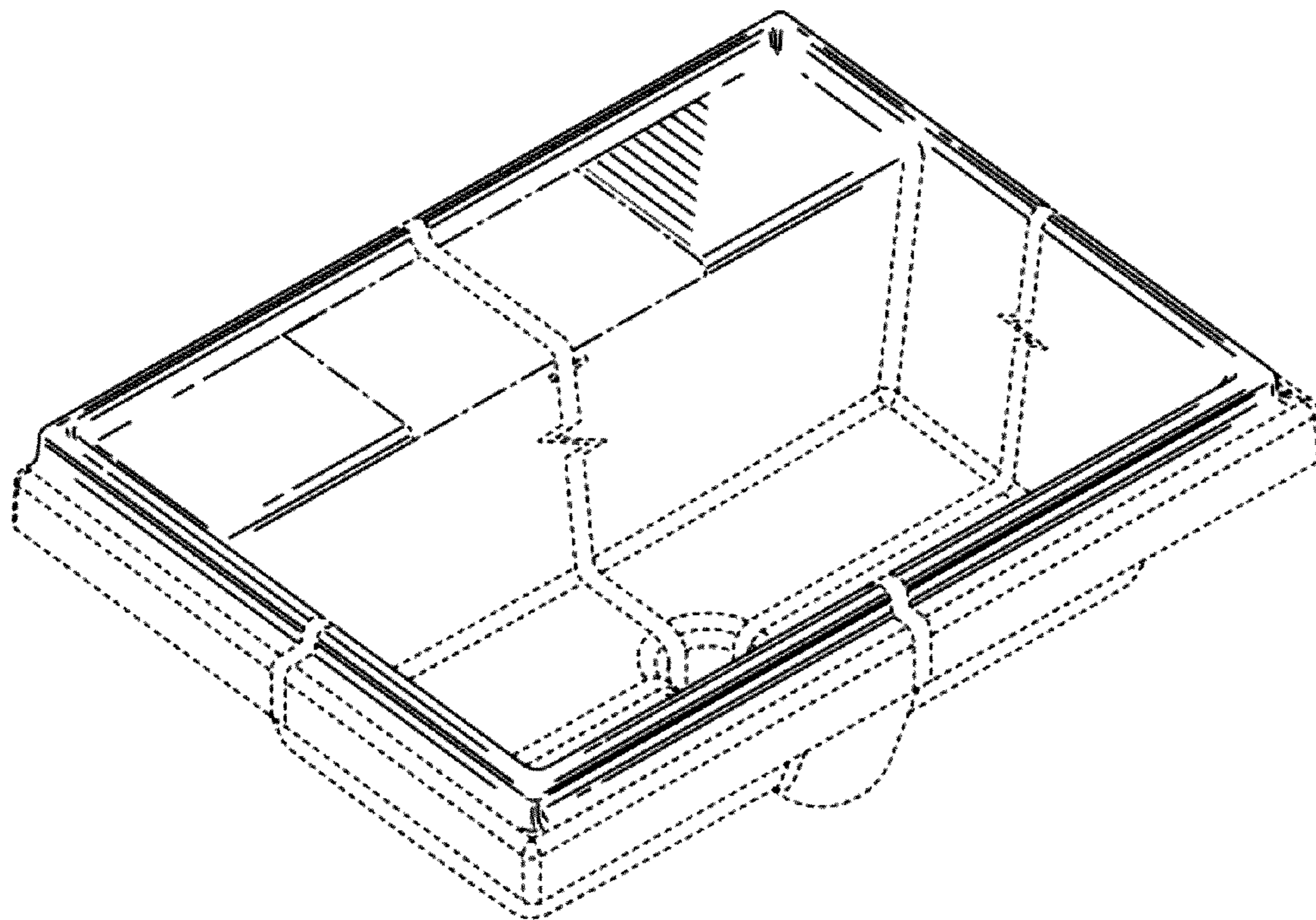
FIG. 4 is a front elevation view of the claimed design of FIG. 1;

FIG. 5 is a rear elevation view of the claimed design of FIG. 1; and,

FIG. 6 is a right-side elevation view of the claimed design of FIG. 1.

The ornamental design which is claimed is shown in solid lines in the drawings. The broken lines in the drawings are for illustrative purposes only and form no part of the claimed design.

1 Claim, 4 Drawing Sheets



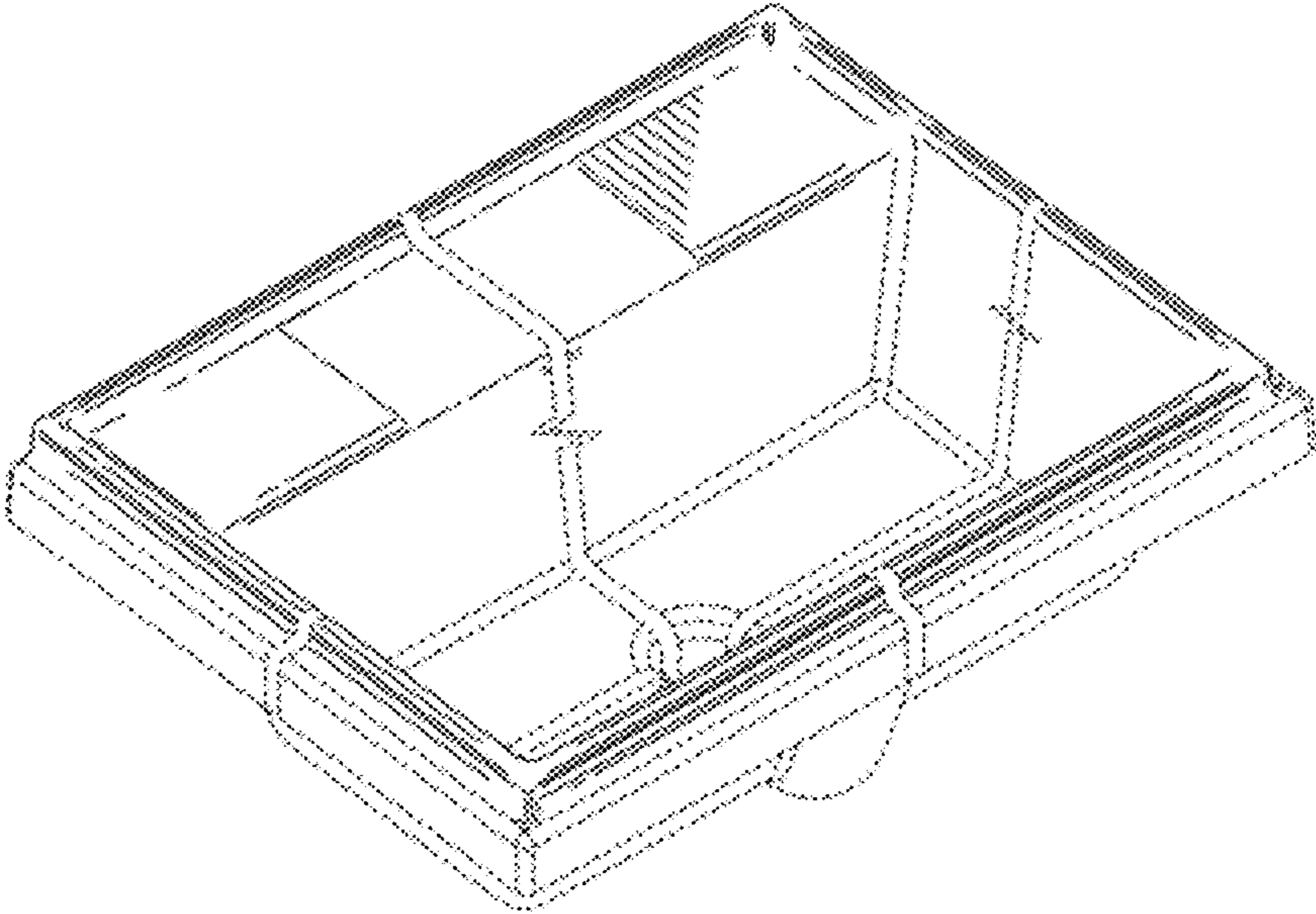


FIG. 1

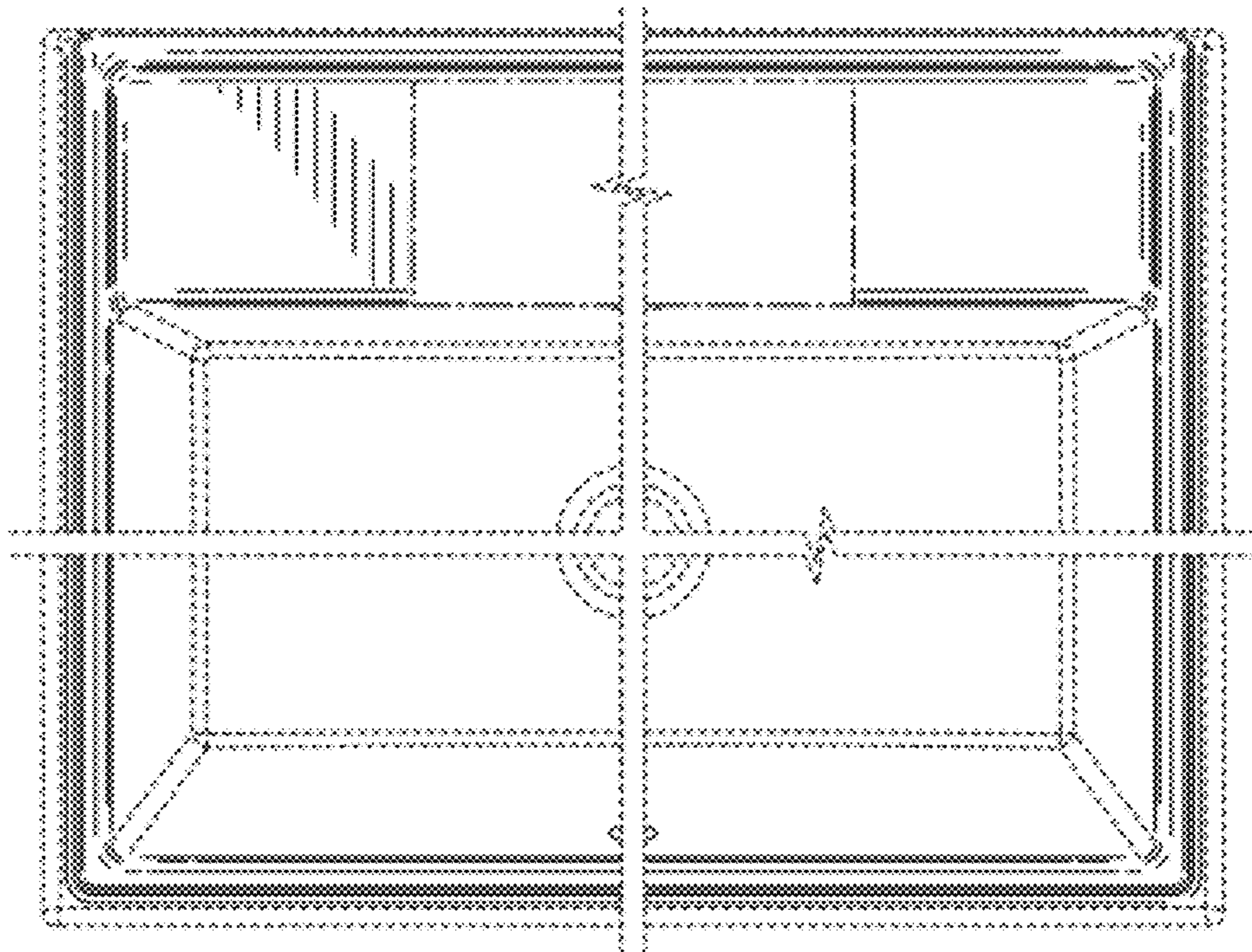


FIG. 2

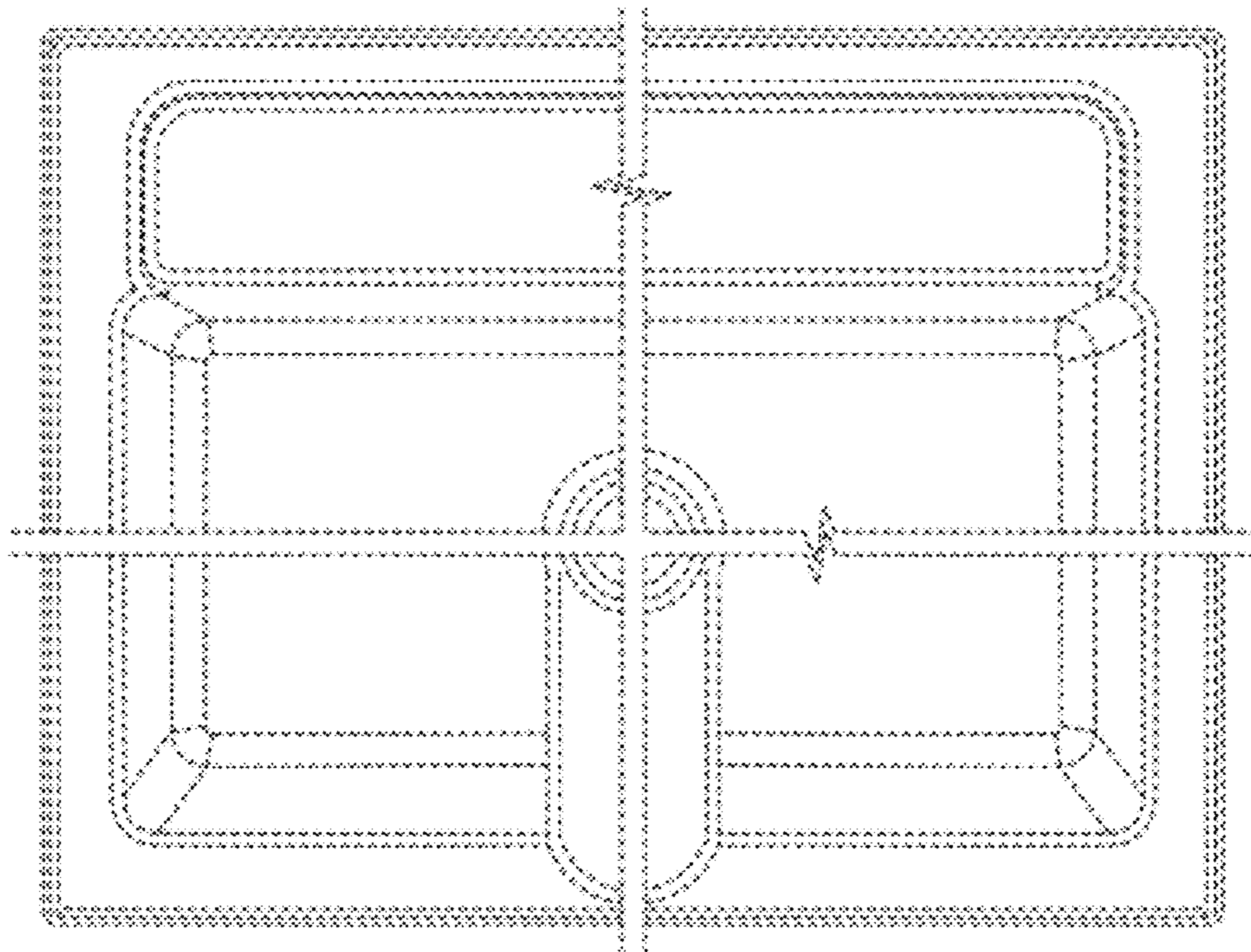


FIG. 3

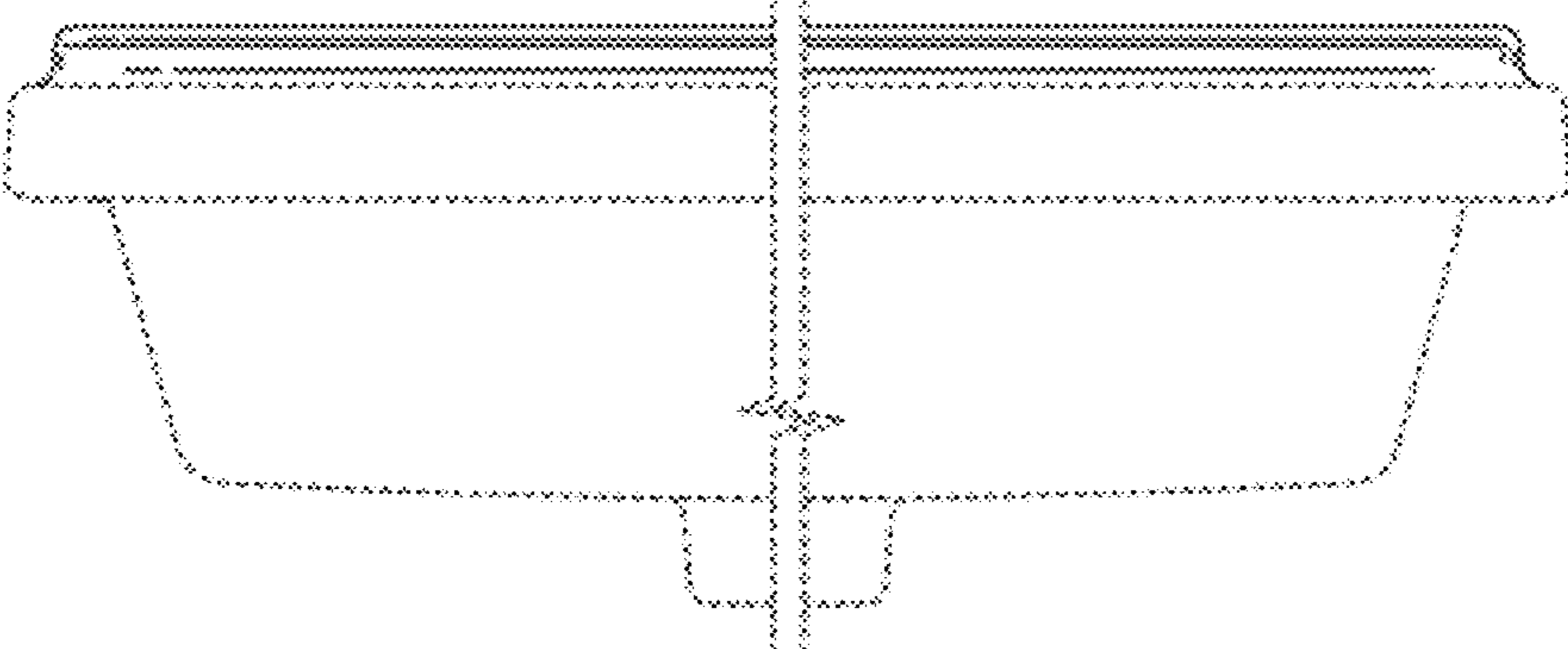


FIG. 4

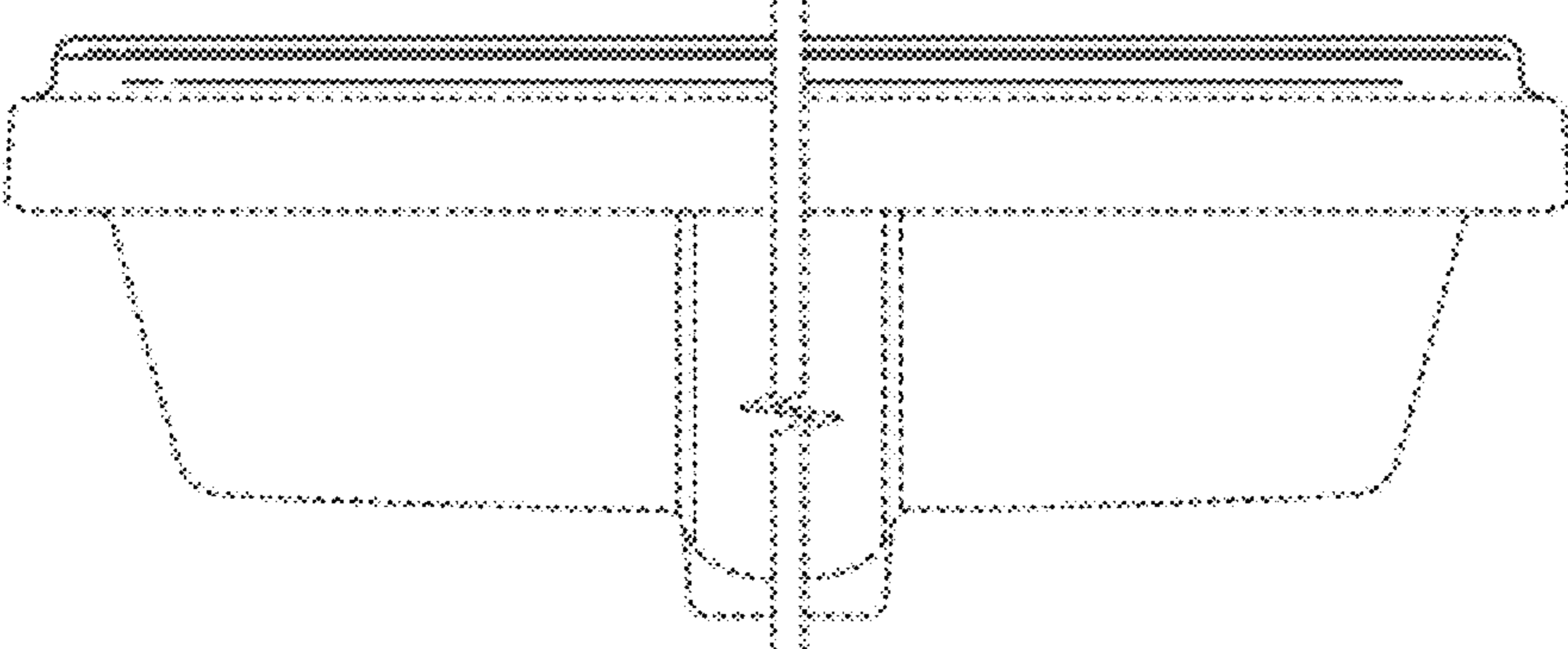


FIG. 5

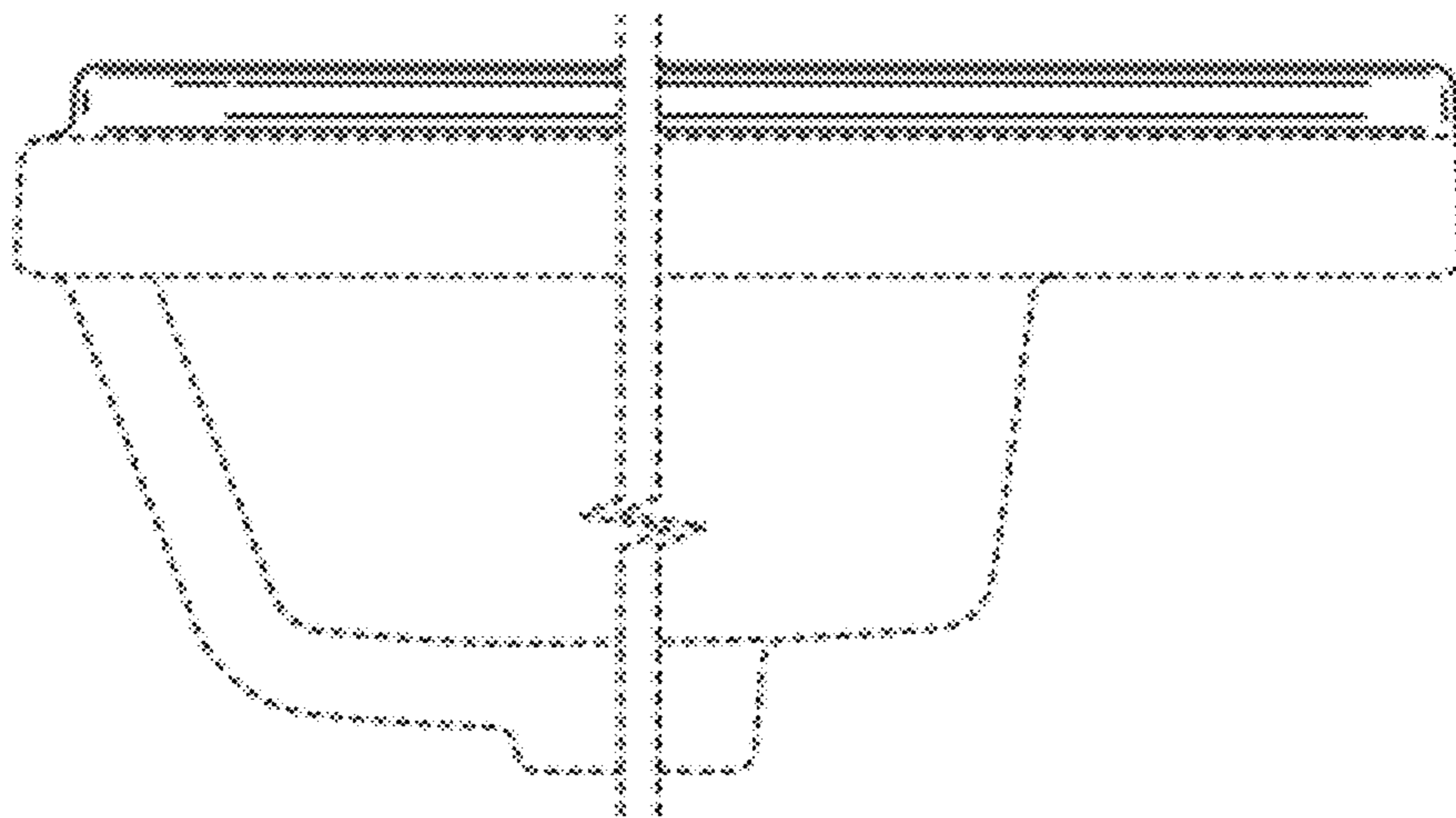


FIG. 6