



US00D669559S

(12) **United States Design Patent**
Booth

(10) **Patent No.:** **US D669,559 S**

(45) **Date of Patent:** **** Oct. 23, 2012**

(54) **SINK**

(75) Inventor: **Shawn J. Booth**, Sheboygan, WI (US)

(73) Assignee: **Kohler Co.**, Kohler, WI (US)

(**) Term: **14 Years**

(21) Appl. No.: **29/422,242**

(22) Filed: **May 17, 2012**

Related U.S. Application Data

(60) Division of application No. 29/405,579, filed on Nov. 3, 2011, now Pat. No. Des. 660,945, which is a continuation of application No. 29/386,877, filed on Mar. 4, 2011, now Pat. No. Des. 648,838.

(51) **LOC (9) Cl.** **23-02**

(52) **U.S. Cl.** **D23/290**

(58) **Field of Classification Search** D23/272-274,
D23/284, 286-287, 290, 293.1, 303, 308;
4/619, 639, 642

See application file for complete search history.

(56) **References Cited**

U.S. PATENT DOCUMENTS

D498,291 S * 11/2004 Bayer D23/290
D527,808 S * 9/2006 Wozniczka et al. D23/290
D546,926 S * 7/2007 Schneider et al. D23/290

D593,648 S * 6/2009 Ziemann D23/284
* cited by examiner

Primary Examiner — Robert Delehanty

(74) *Attorney, Agent, or Firm* — Foley & Lardner LLP

(57) **CLAIM**

I claim the ornamental design for a sink, as shown and described.

DESCRIPTION

FIG. 1 is a top perspective view of an embodiment of the claimed design;

FIG. 2 is a top plan view of the claimed design of FIG. 1;

FIG. 3 is a bottom plan view of the claimed design of FIG. 1;

FIG. 4 is a front elevation view of the claimed design of FIG. 1;

FIG. 5 is a right-side elevation view of the claimed design of FIG. 1;

FIG. 6 is a rear elevation view of the claimed design of FIG. 1;

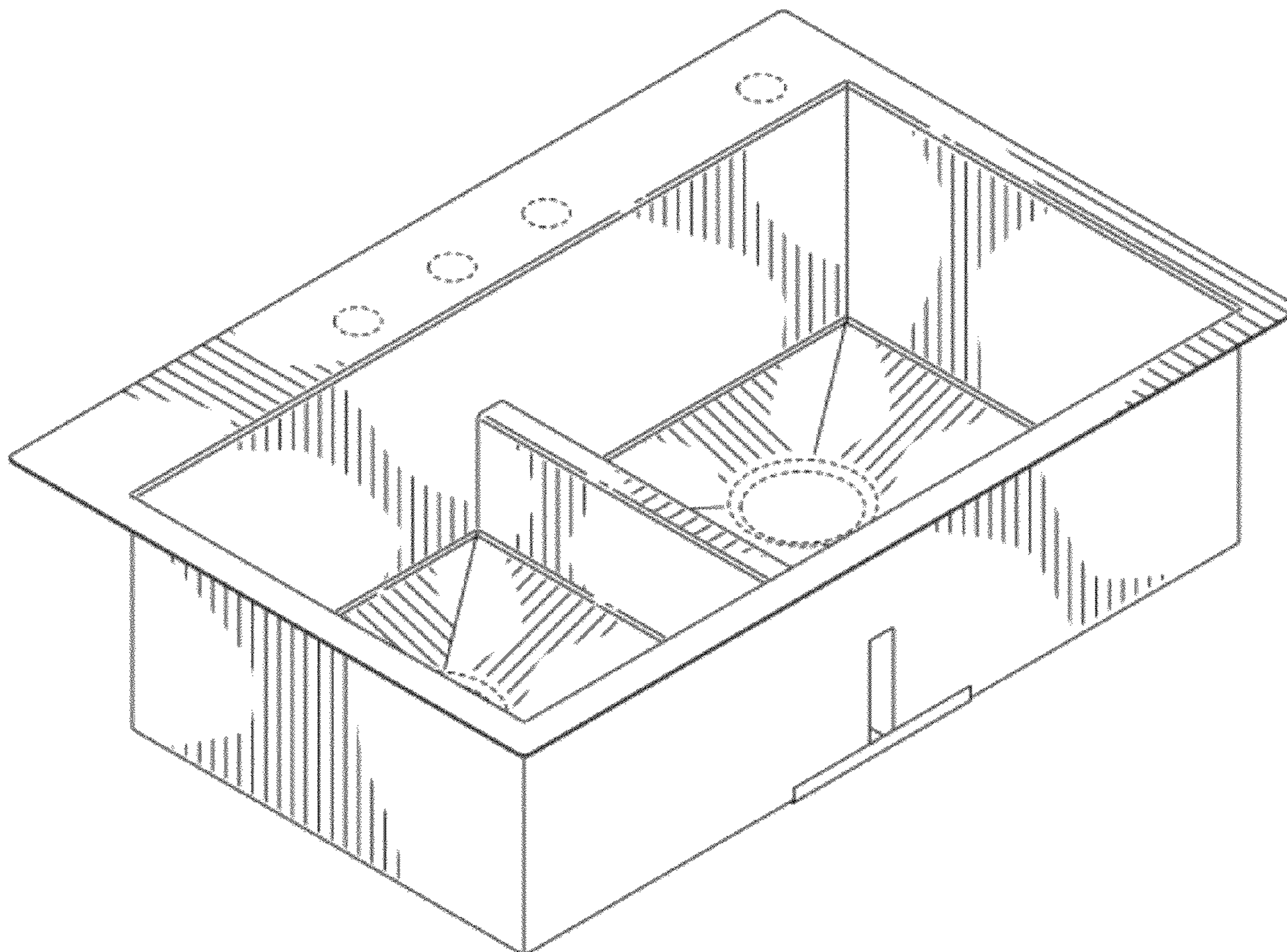
FIG. 7 is a cross-sectional view of FIG. 2;

FIG. 8 is another cross-sectional view of FIG. 2; and,

FIG. 9 is another cross-sectional view of FIG. 2.

The ornamental design which is claimed is shown in solid lines in the drawings. The broken lines in the drawings are for illustrative purposes only and form no part of the claimed design.

1 Claim, 5 Drawing Sheets



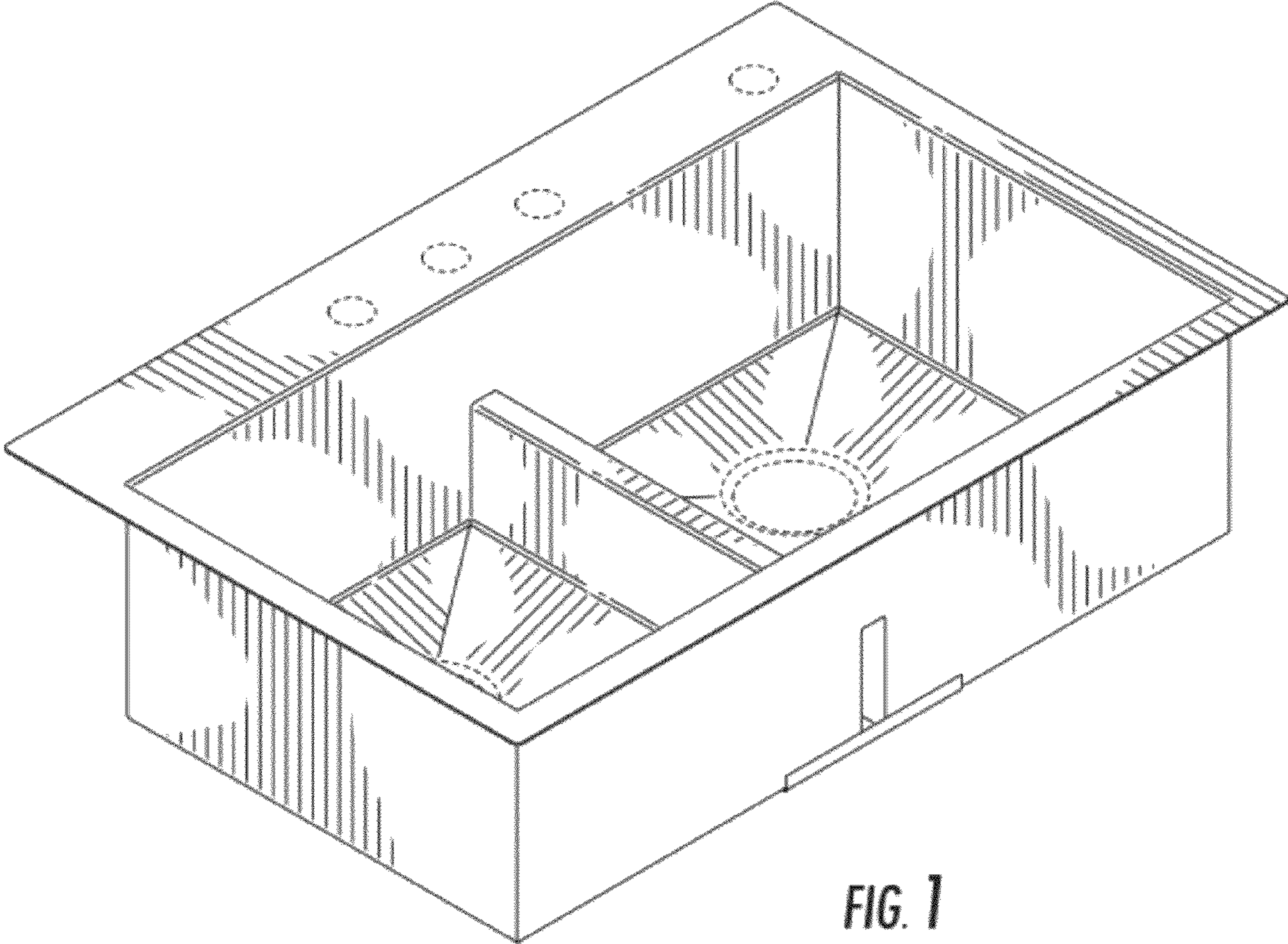


FIG. 1

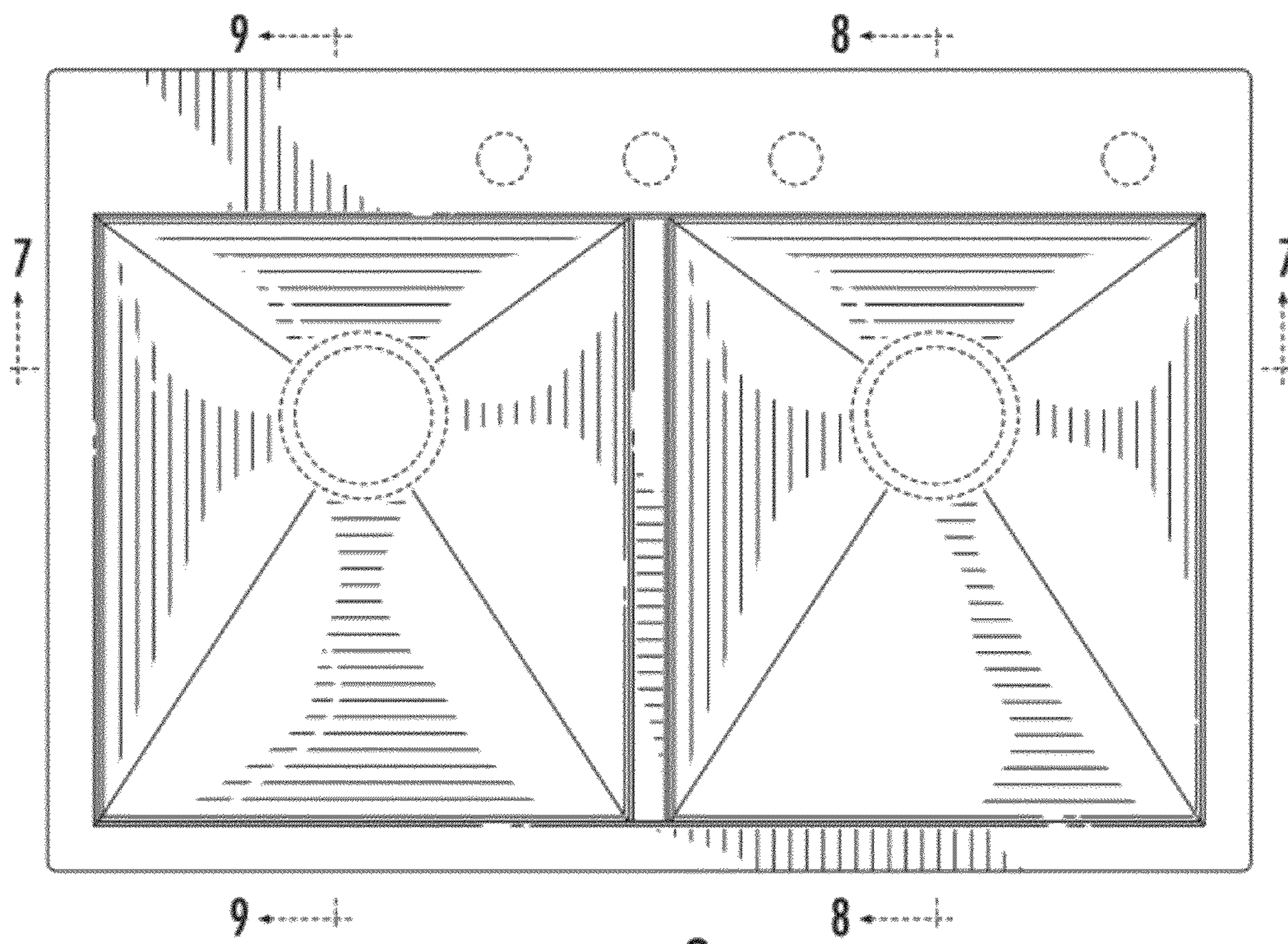


FIG. 2

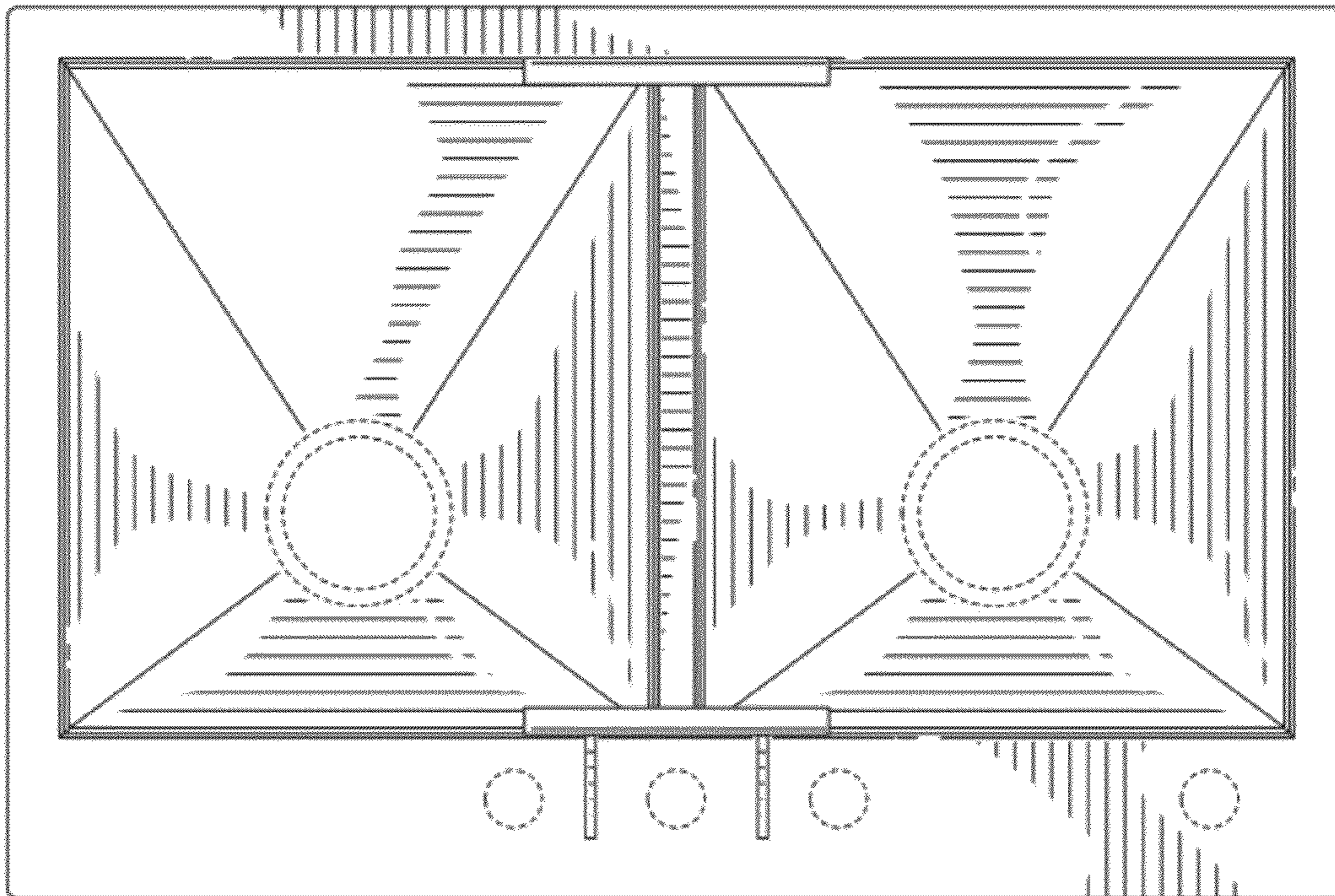


FIG. 3

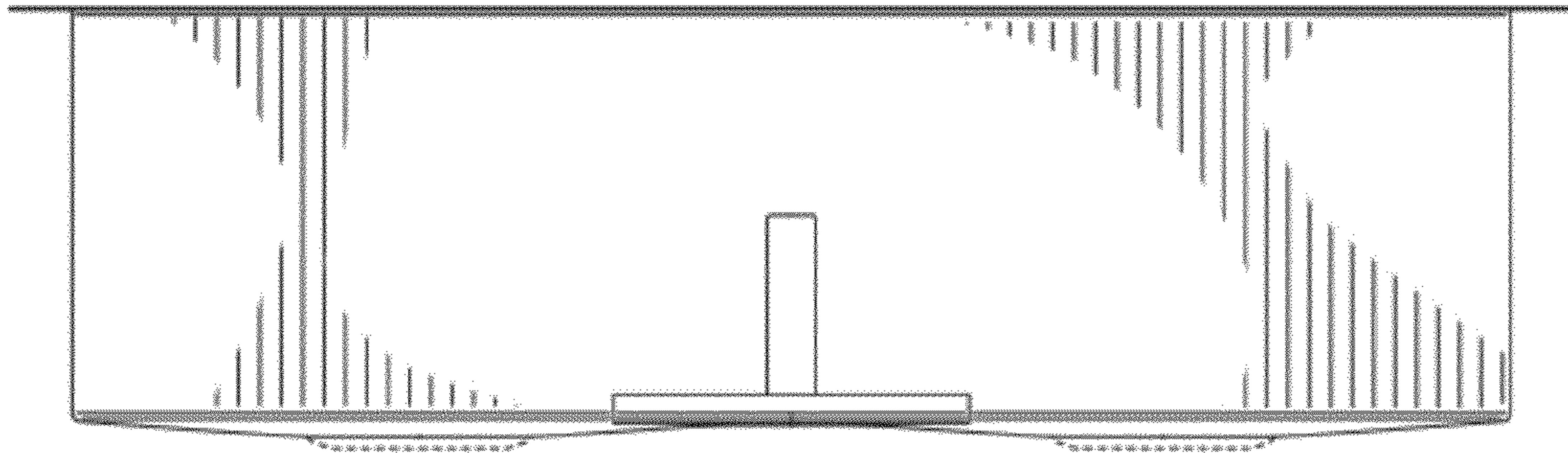


FIG. 4

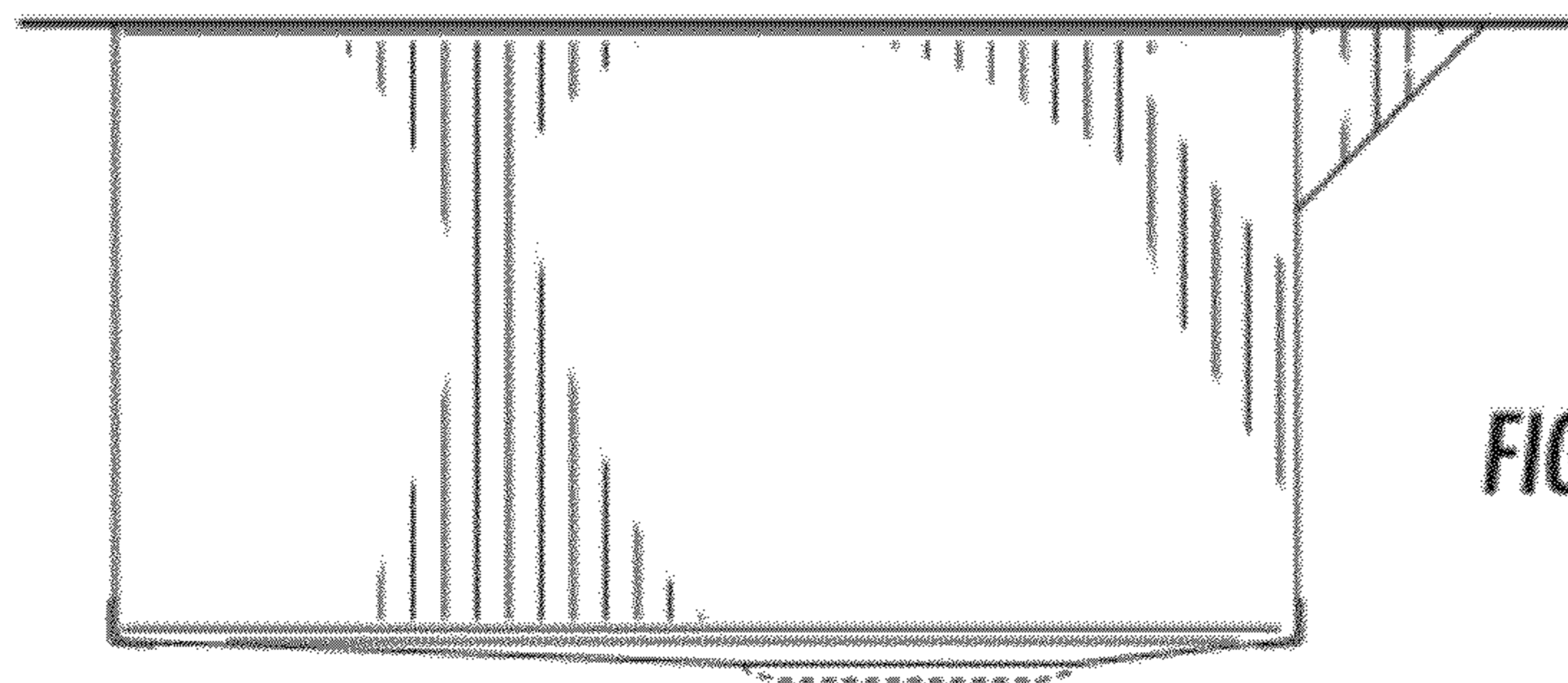


FIG. 5

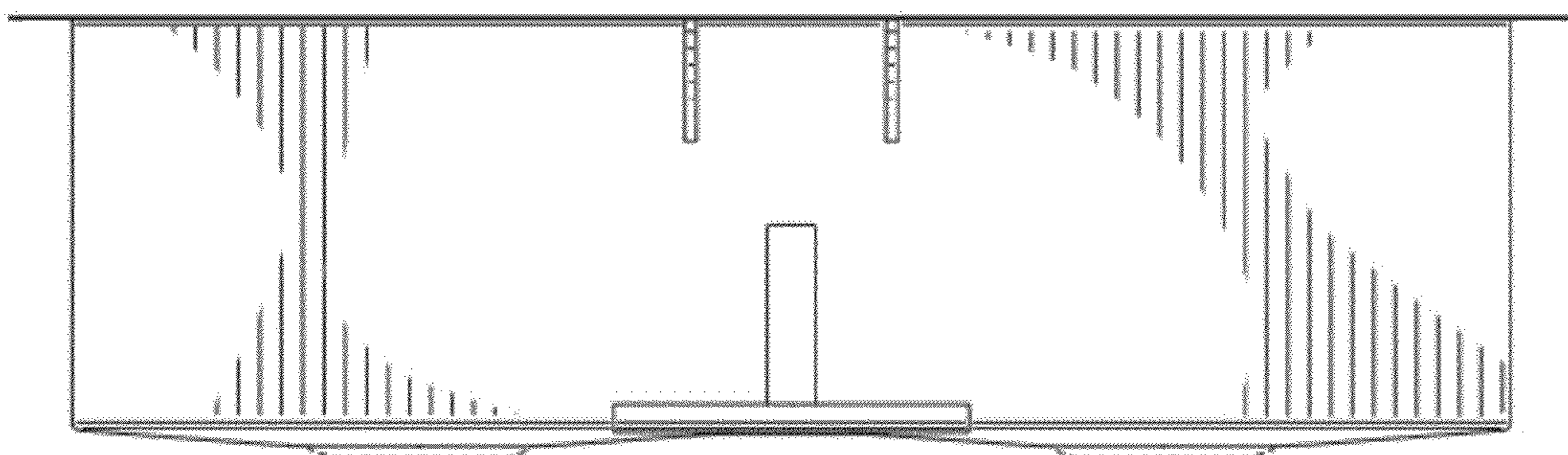


FIG. 6

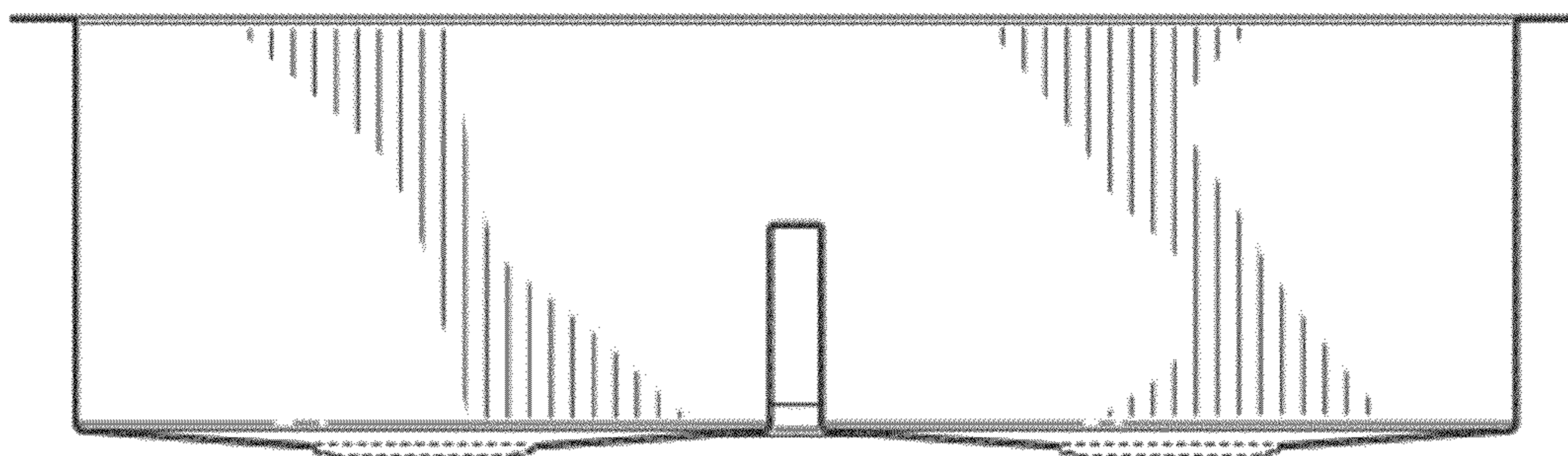


FIG. 7

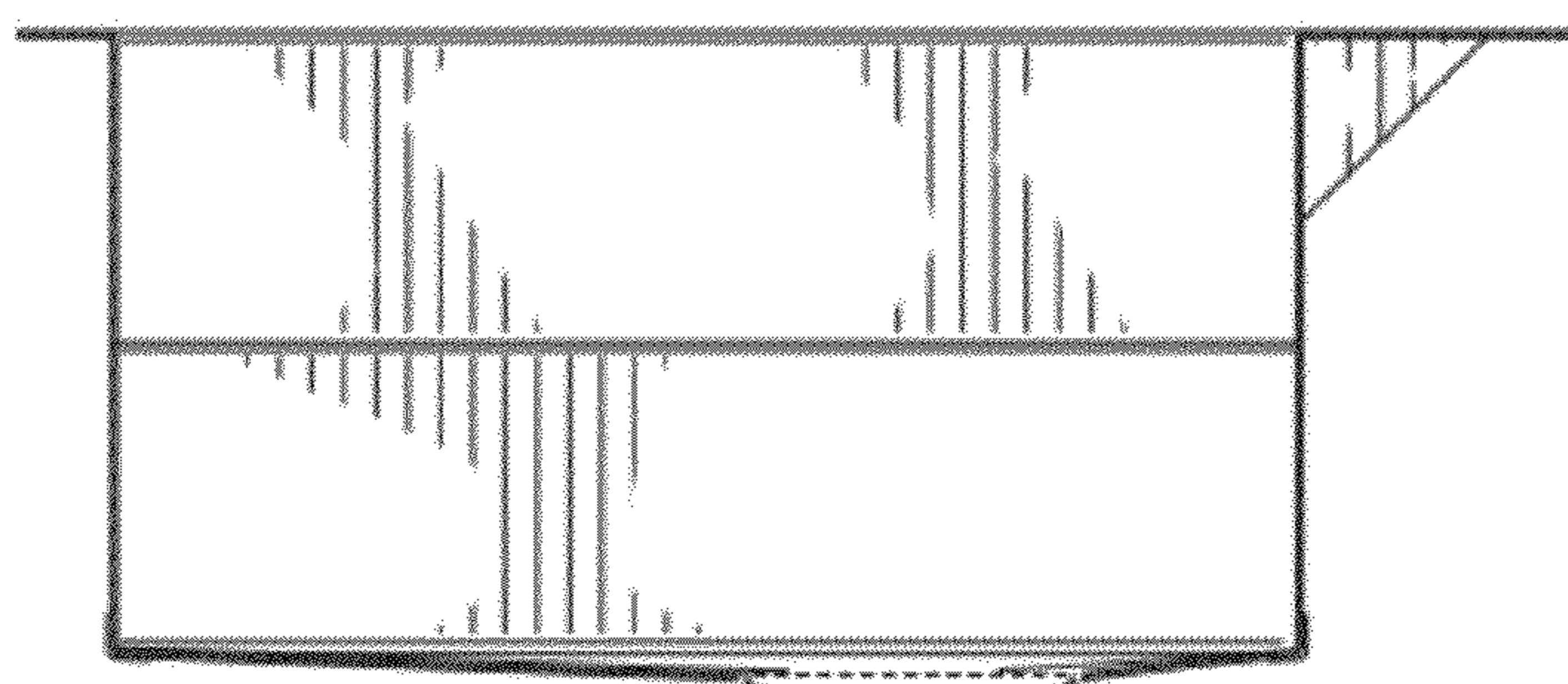


FIG. 8

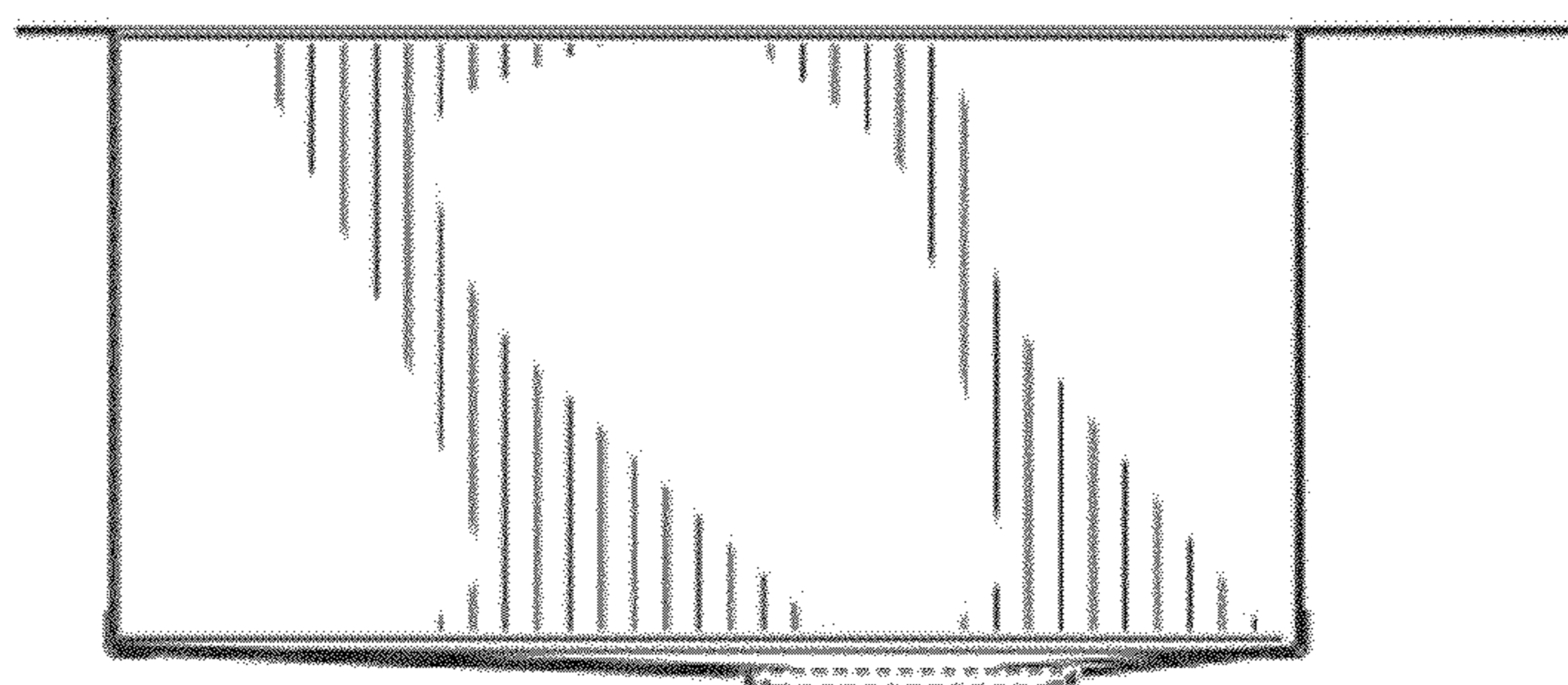


FIG. 9