

US00D669557S

(12) **United States Design Patent**
Citterio

(10) **Patent No.:** **US D669,557 S**

(45) **Date of Patent:** **** Oct. 23, 2012**

(54) **FAUCET HANDLE**

(75) Inventor: **Antonio Citterio**, Milan (IT)

(73) Assignee: **Hansgrohe SE**, Schiltach (DE)

(**) Term: **14 Years**

(21) Appl. No.: **29/392,055**

(22) Filed: **May 17, 2011**

(30) **Foreign Application Priority Data**

Nov. 26, 2010 (EM) 001247050-0006

(51) **LOC (9) Cl.** **23-01**

(52) **U.S. Cl.** **D23/253**

(58) **Field of Classification Search** D23/238–243,
D23/253, 249, 245; 4/675–678; 137/801
See application file for complete search history.

(56) **References Cited**

U.S. PATENT DOCUMENTS

| | | | | |
|--------------|---------|-------------|-------|---------|
| D162,678 S * | 3/1951 | Muller-Munk | | D23/254 |
| D199,555 S * | 11/1964 | Doman | | D23/252 |
| D434,115 S * | 11/2000 | Meda | | D23/252 |
| D466,988 S * | 12/2002 | Marshall | | D23/250 |
| D570,963 S * | 6/2008 | Hoernig | | D23/250 |

OTHER PUBLICATIONS

Brochure—Collection, 3 pgs., Carlo Nobili SpA Rubinetterie, Borgamanero, Italy (at least as early as Sep. 29, 2009).

Brochure—Bonglo, 4 pgs., Bonglo srl, Opaglio, Italy (at least as early as Sep. 28, 2004).

* cited by examiner

Primary Examiner — Robert Delehanty

(74) *Attorney, Agent, or Firm* — Nirav D. Parikh; Lora J. Graentzdoerffer; Edgar A. Zarins

(57) **CLAIM**

The ornamental design for a faucet handle, as shown and described.

DESCRIPTION

FIG. 1 is a perspective view of a faucet handle showing my design;

FIG. 2 is a front elevational view thereof;

FIG. 3 is a rear elevational view thereof;

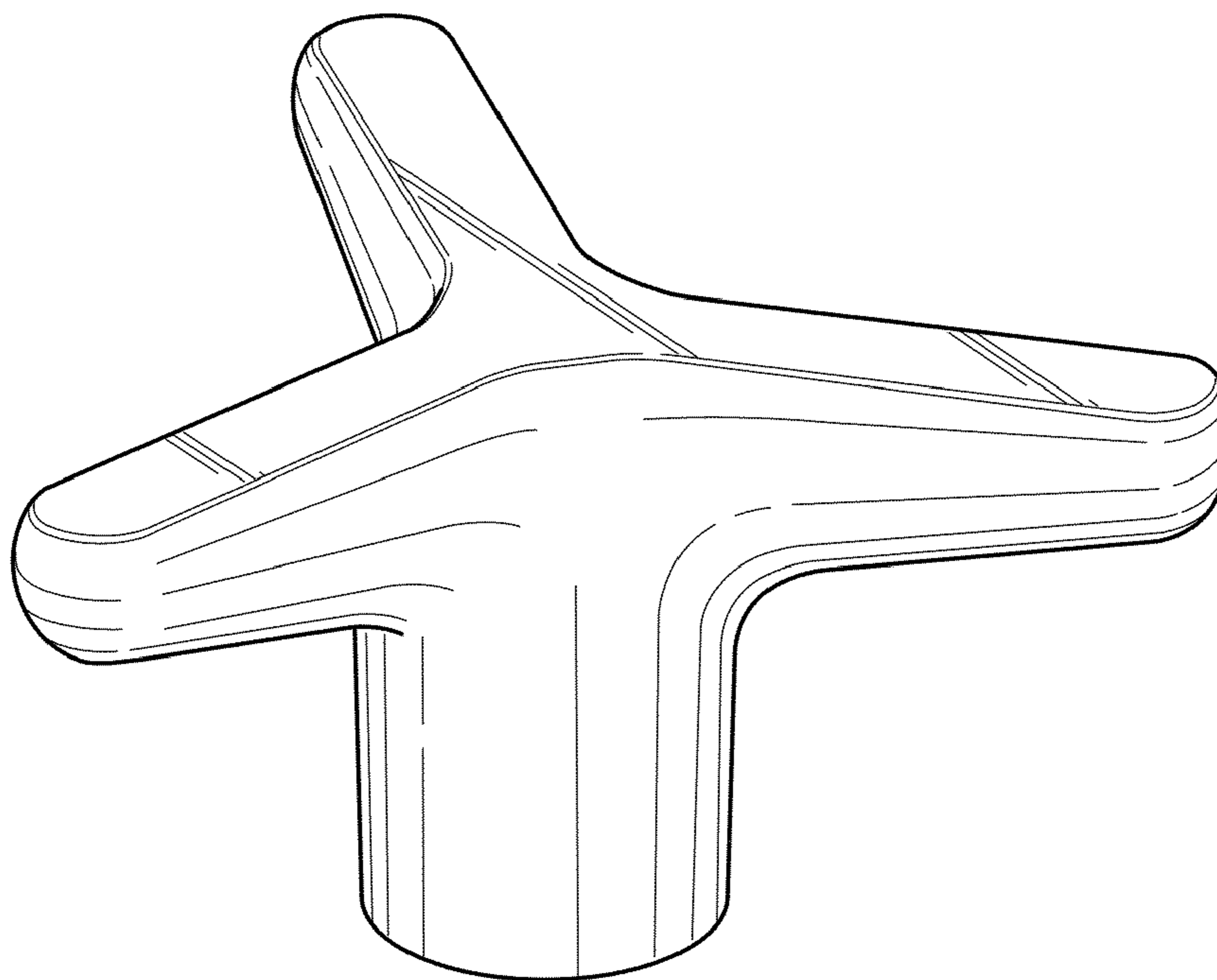
FIG. 4 is a left side elevational view thereof; the right side elevational view being a mirror image thereof;

FIG. 5 is a top plan view thereof; and,

FIG. 6 is a bottom plan view thereof.

The broken-line disclosure in the views represents portions of the article in which the claimed design is embodied, but which form no part of the claimed design.

1 Claim, 6 Drawing Sheets



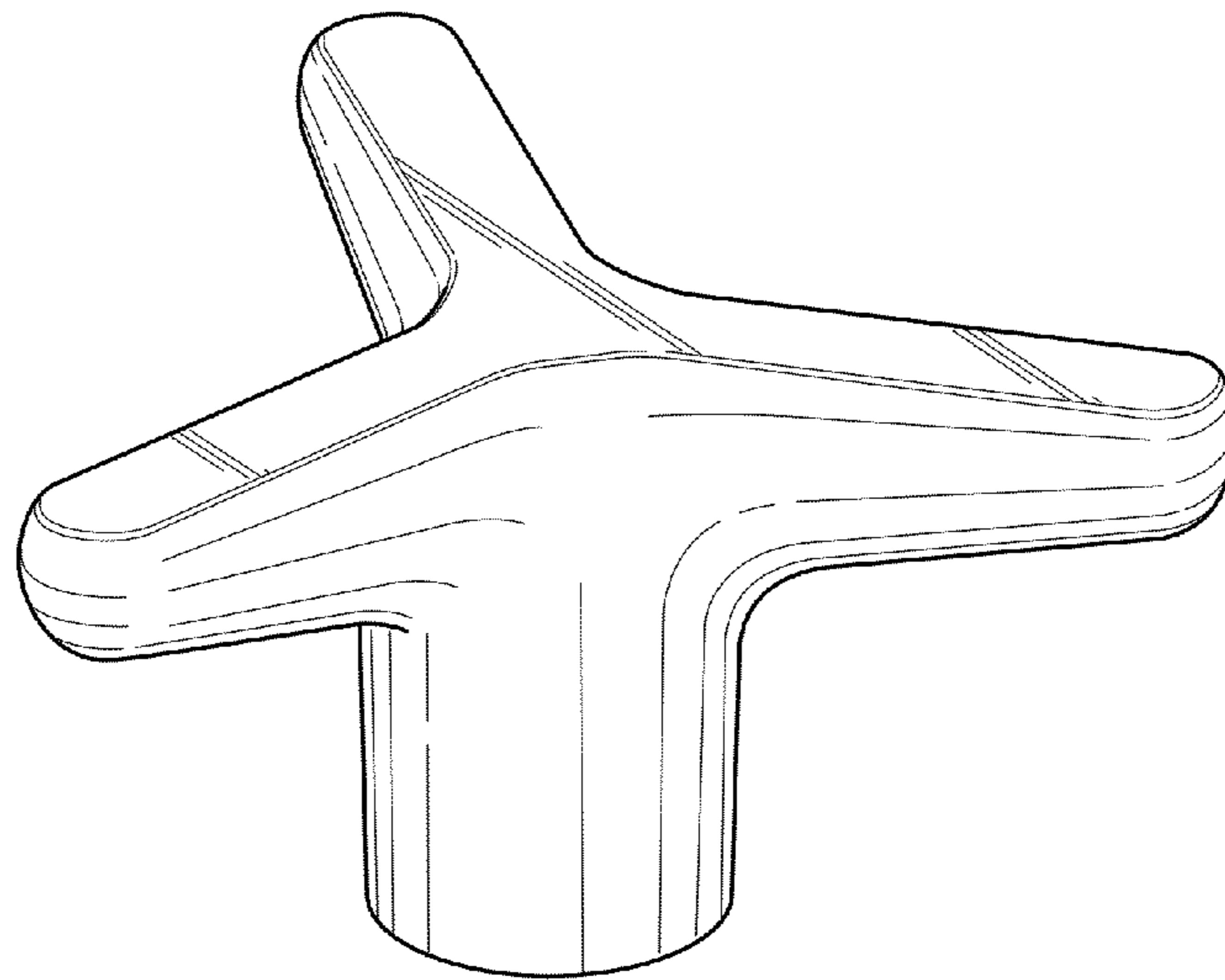


FIG. 1

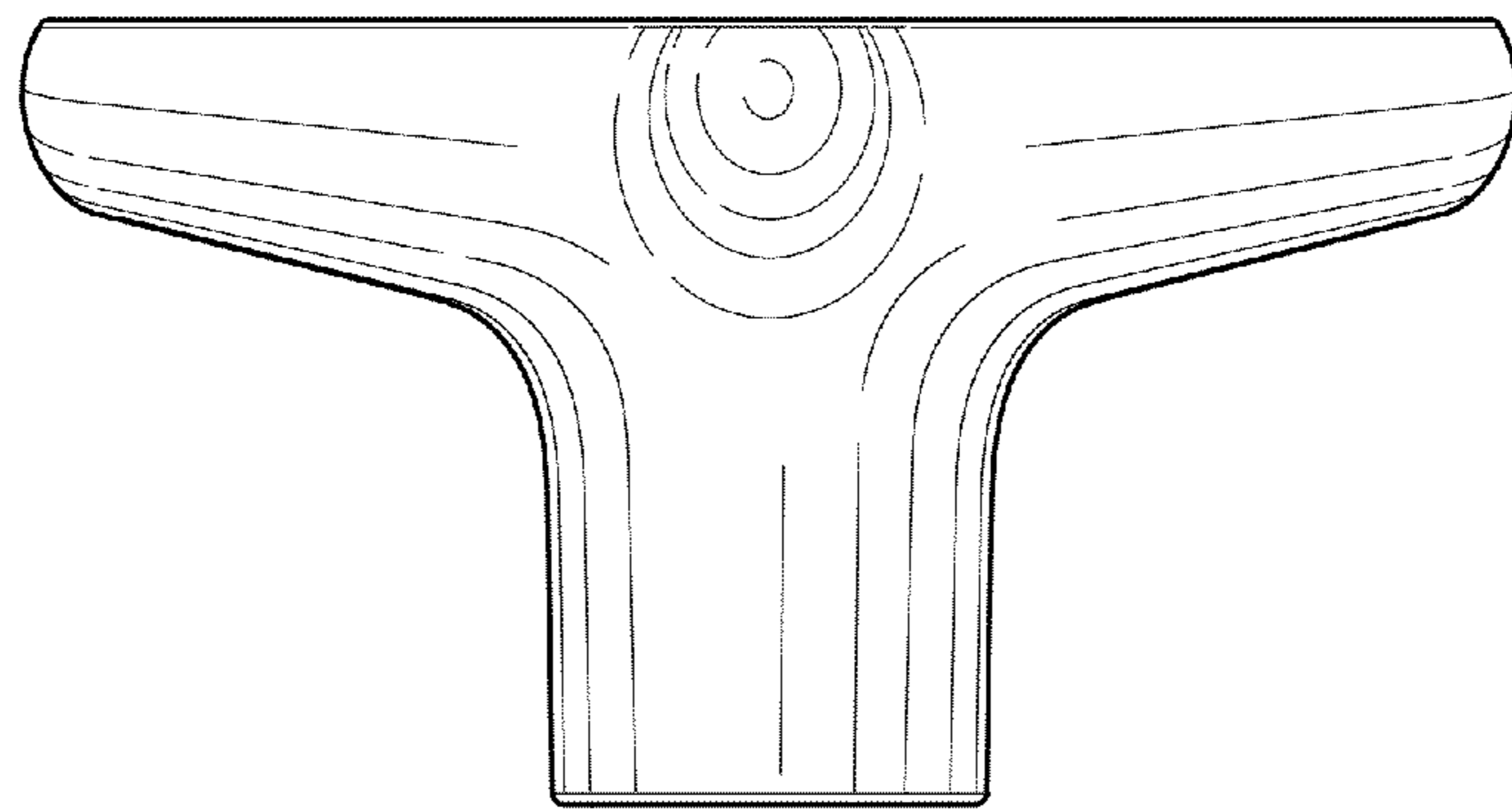


FIG. 2

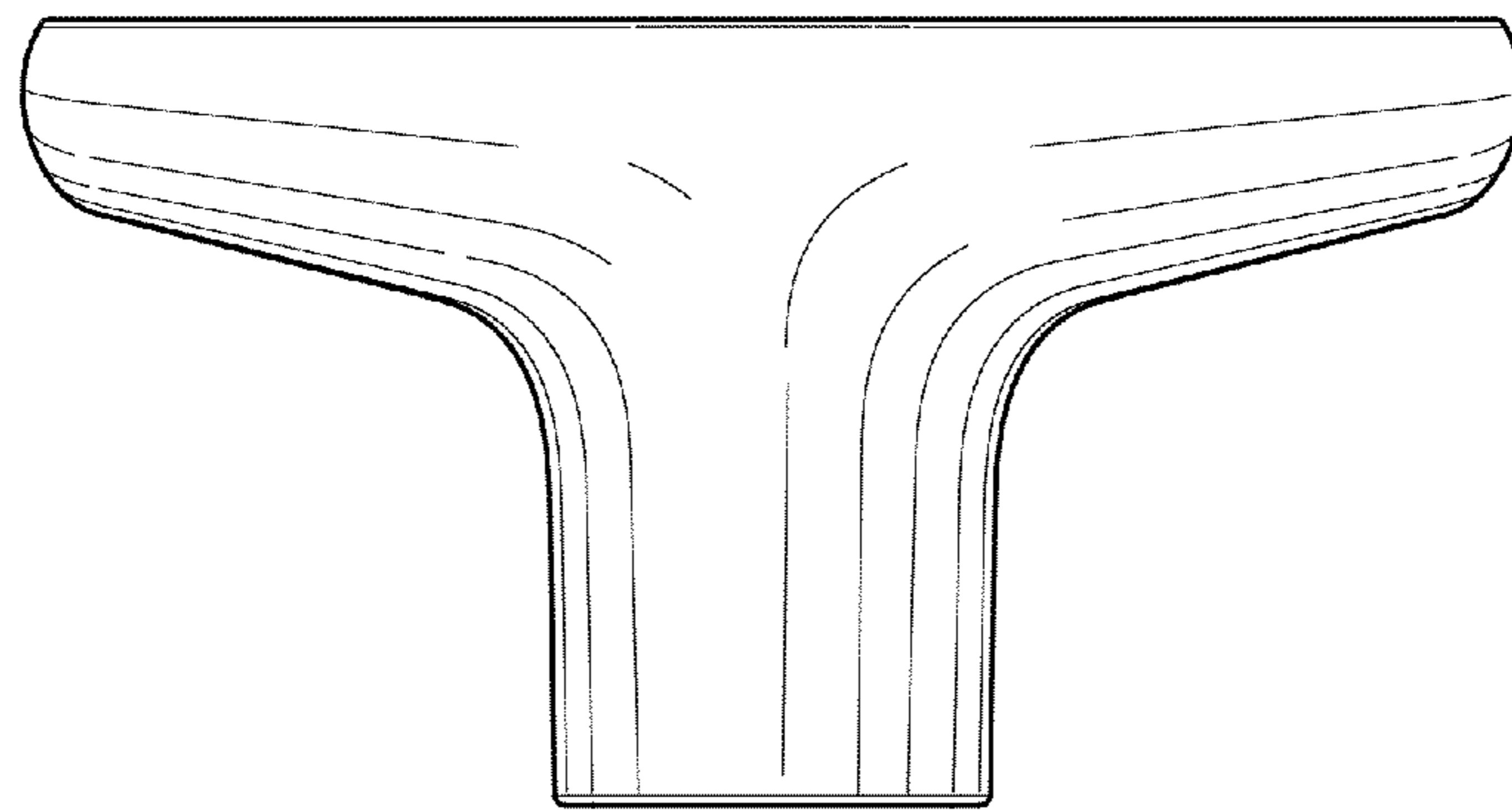


FIG. 3

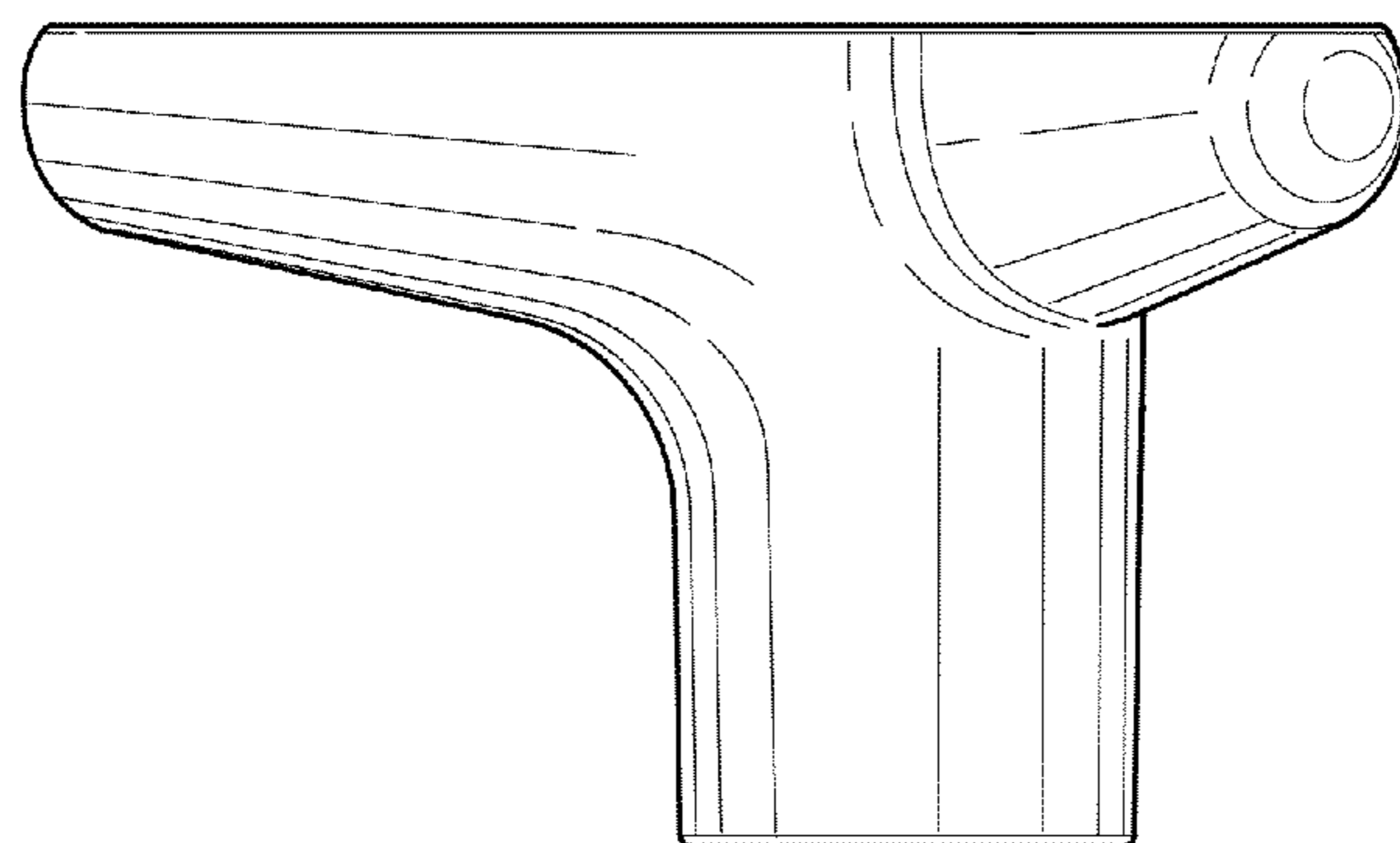


FIG. 4

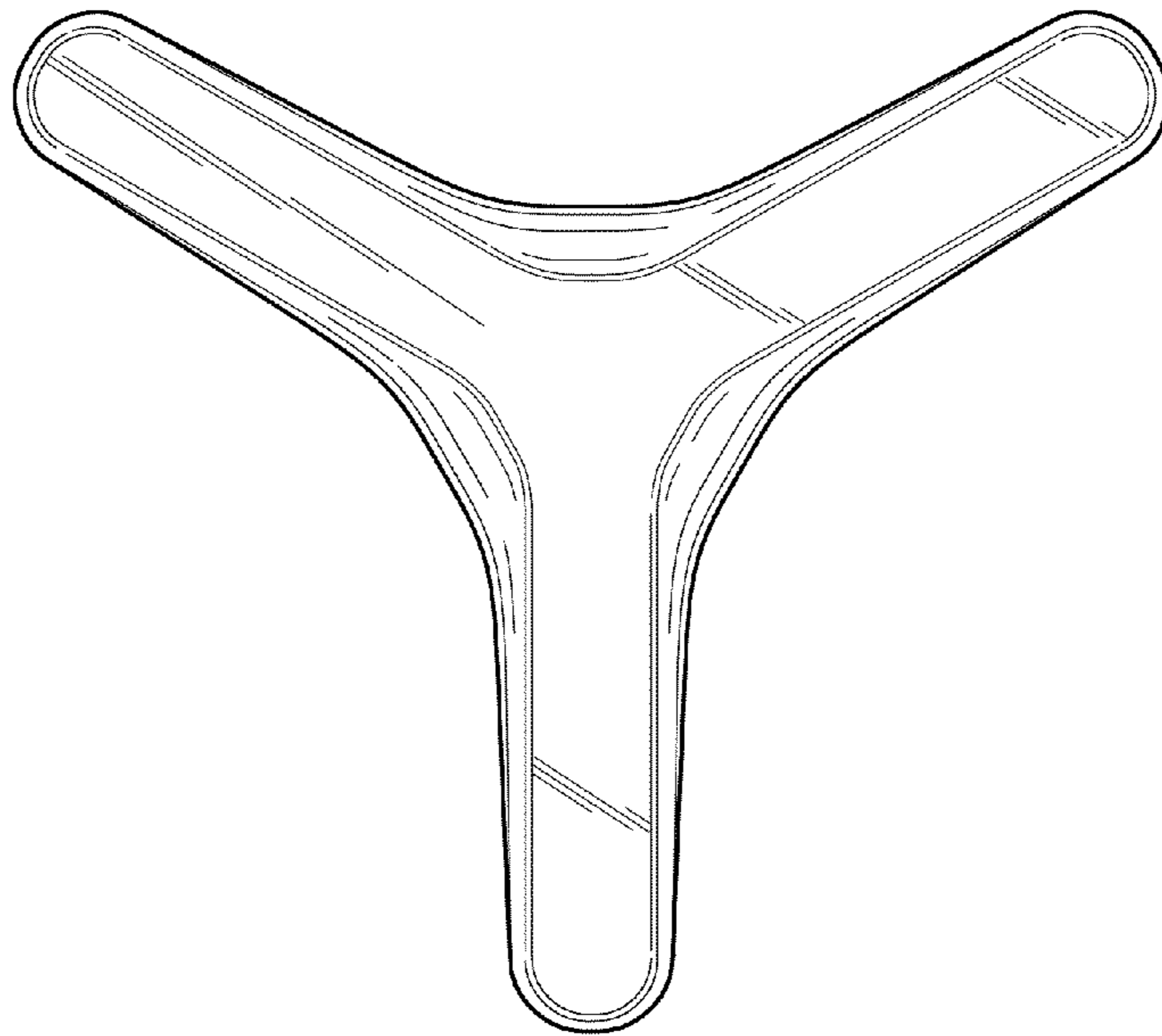


FIG. 5

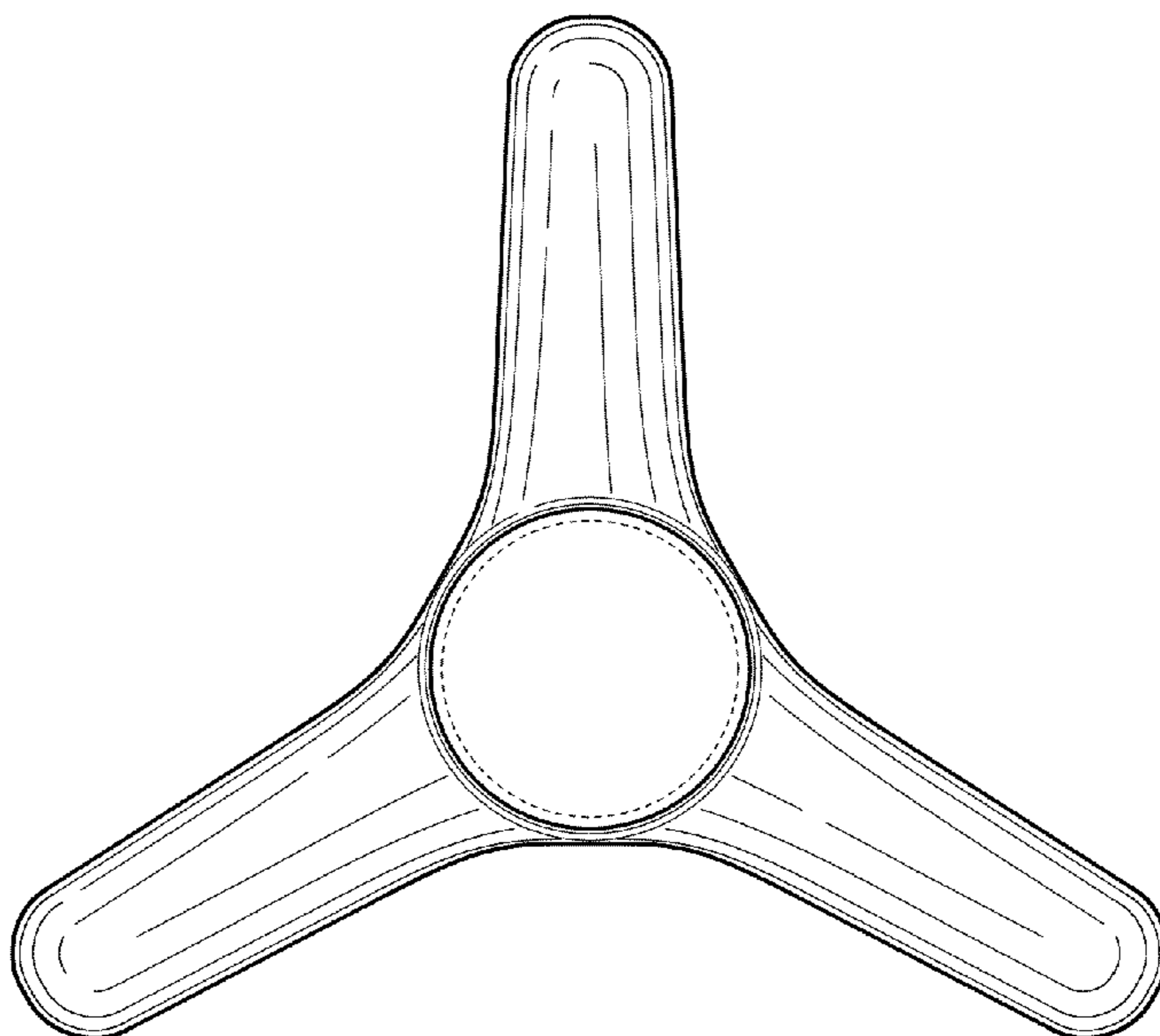


FIG. 6