



US00D669556S

(12) **United States Design Patent**  
**Flowers et al.**

(10) **Patent No.:** **US D669,556 S**

(45) **Date of Patent:** **\*\* Oct. 23, 2012**

(54) **SINK MIXER**

(75) Inventors: **Paul Flowers**, Duesseldorf (DE);  
**Annette Roy**, Duesseldorf (DE)

(73) Assignee: **Grohe AG**, Hemer (DE)

(\*\*) Term: **14 Years**

(21) Appl. No.: **29/397,935**

(22) Filed: **Jul. 22, 2011**

(30) **Foreign Application Priority Data**

Jan. 24, 2011 (EM) ..... 001809583-0001

(51) **LOC (9) Cl.** ..... **23-01**

(52) **U.S. Cl.** ..... **D23/238**

(58) **Field of Classification Search** ..... D23/238,  
D23/241-243, 250, 252, 255, 257; 4/675-678;  
137/801

See application file for complete search history.

(56) **References Cited**

U.S. PATENT DOCUMENTS

D585,524 S \* 1/2009 Schoenherr et al. .... D23/238  
D648,422 S \* 11/2011 Liao ..... D23/238

\* cited by examiner

*Primary Examiner* — Robert Delehanty

(74) *Attorney, Agent, or Firm* — Muncy, Geissler, Olds &  
Lowe, PLLC

(57) **CLAIM**

The ornamental design for a sink mixer, as shown and described.

**DESCRIPTION**

FIG. 1 is a left side elevational view of a sink mixer the present invention.

FIG. 2 is a right side elevational view of the sink mixer of FIG. 1.

FIG. 3 is a front elevational view of the sink mixer of FIG. 1.

FIG. 4 is a rear elevational view of the sink mixer of FIG. 1.

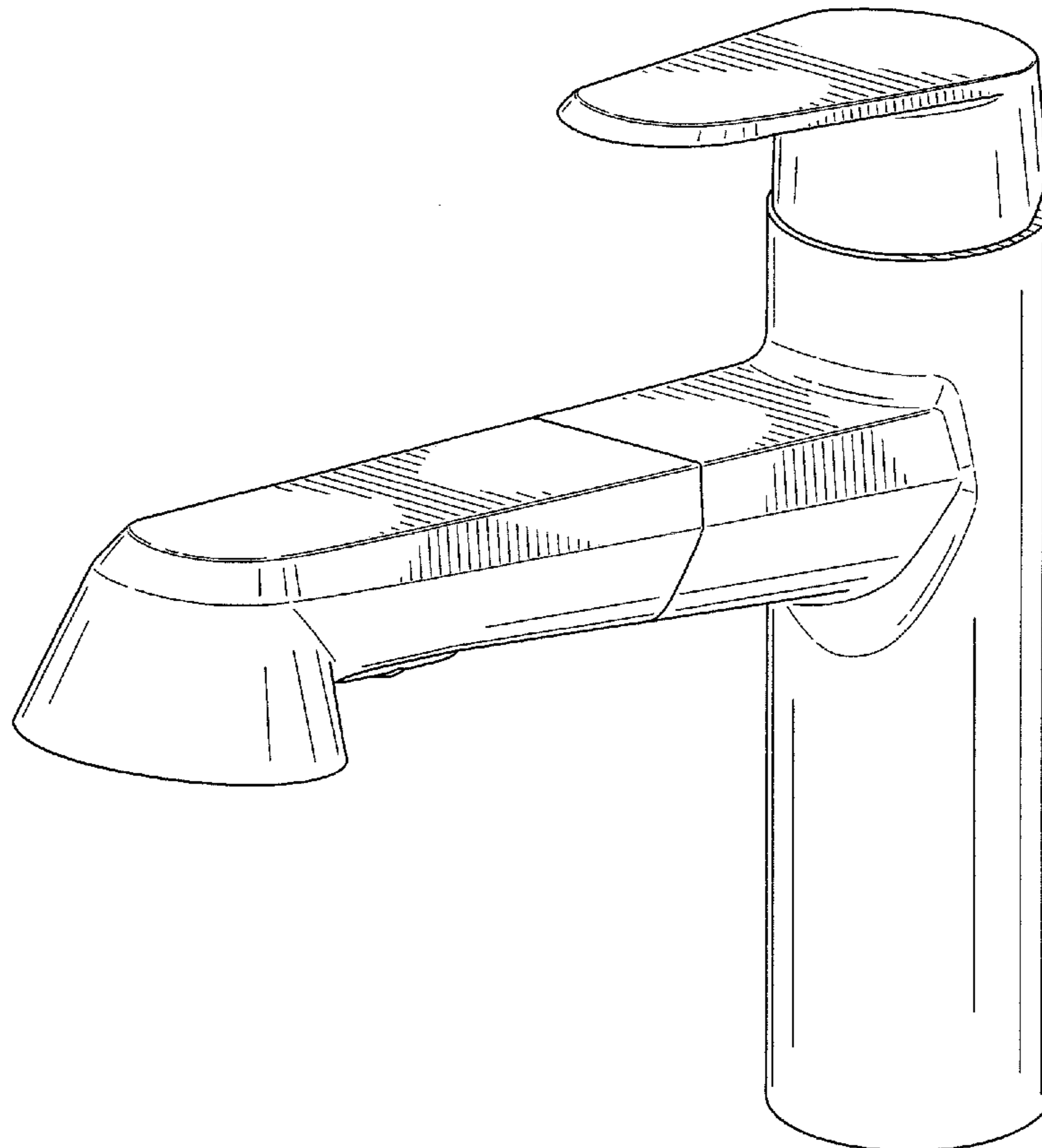
FIG. 5 is a top plan view of the sink mixer of FIG. 1.

FIG. 6 is a bottom plan view of the sink mixer of FIG. 1; and,

FIG. 7 is a three-quarter view of the sink mixer of FIG. 1.

The dashed lines illustrate environment that does not form a part of the present invention, and no claim is made to the material illustrated with dashed lines.

**1 Claim, 5 Drawing Sheets**



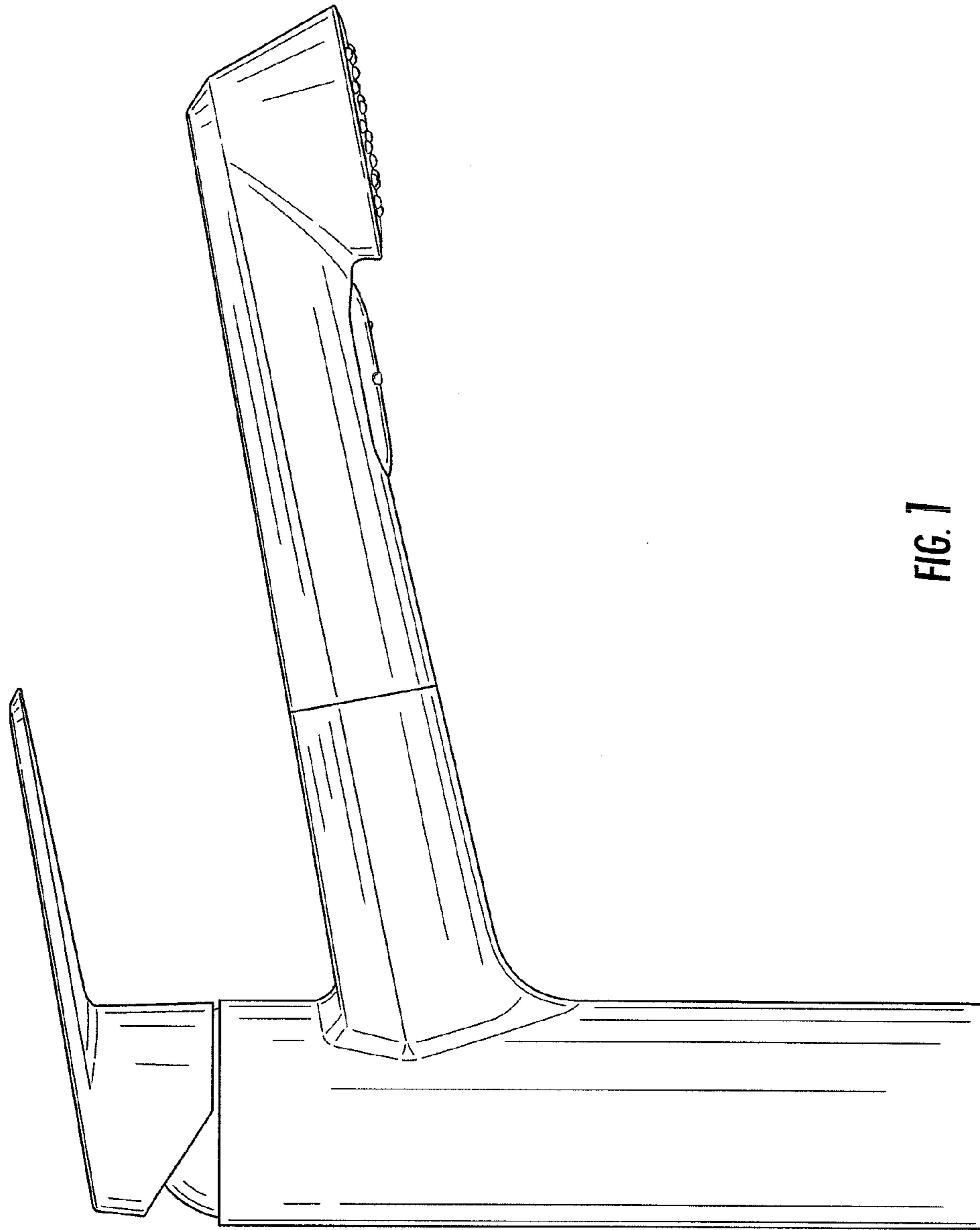


FIG. 1

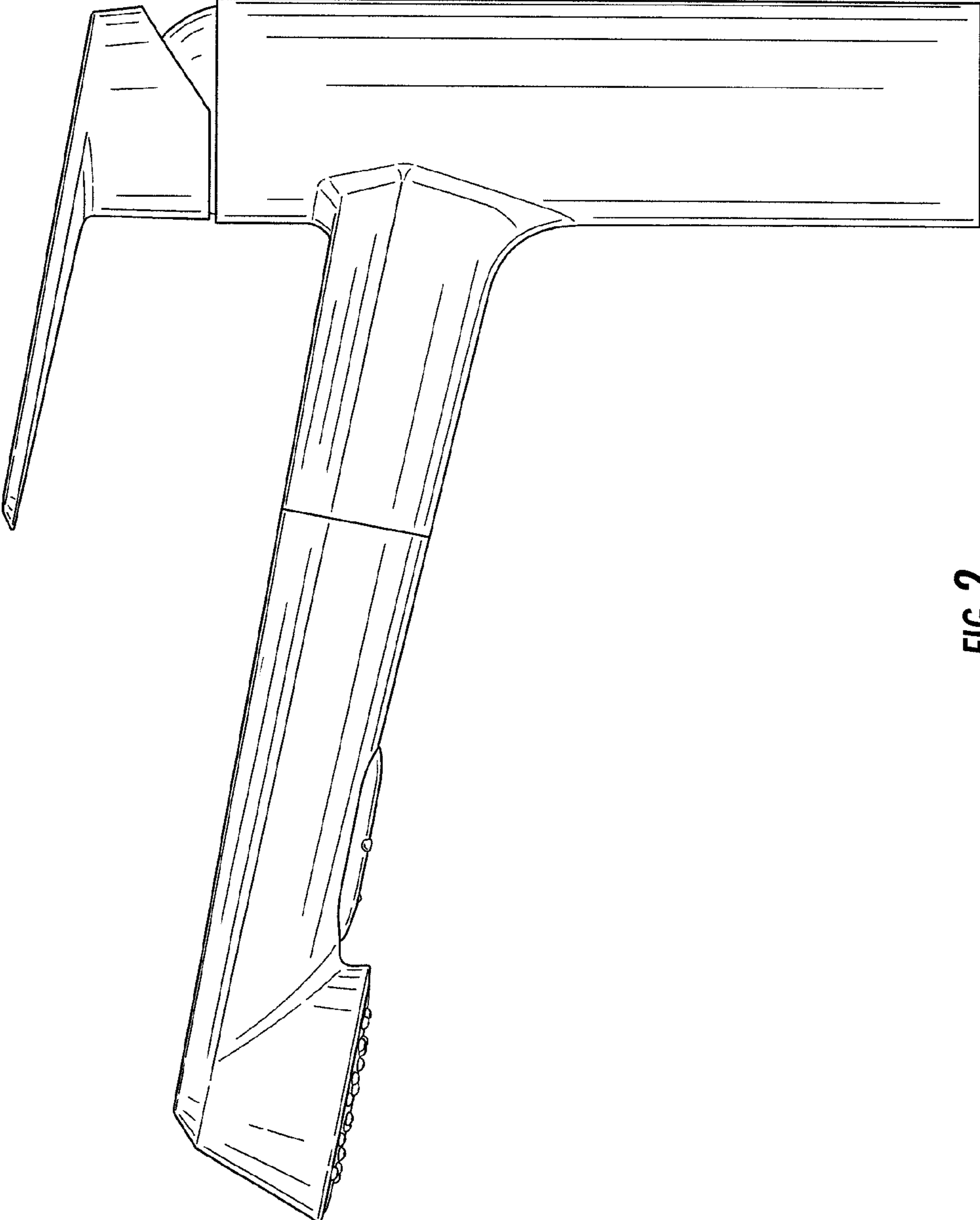


FIG. 2

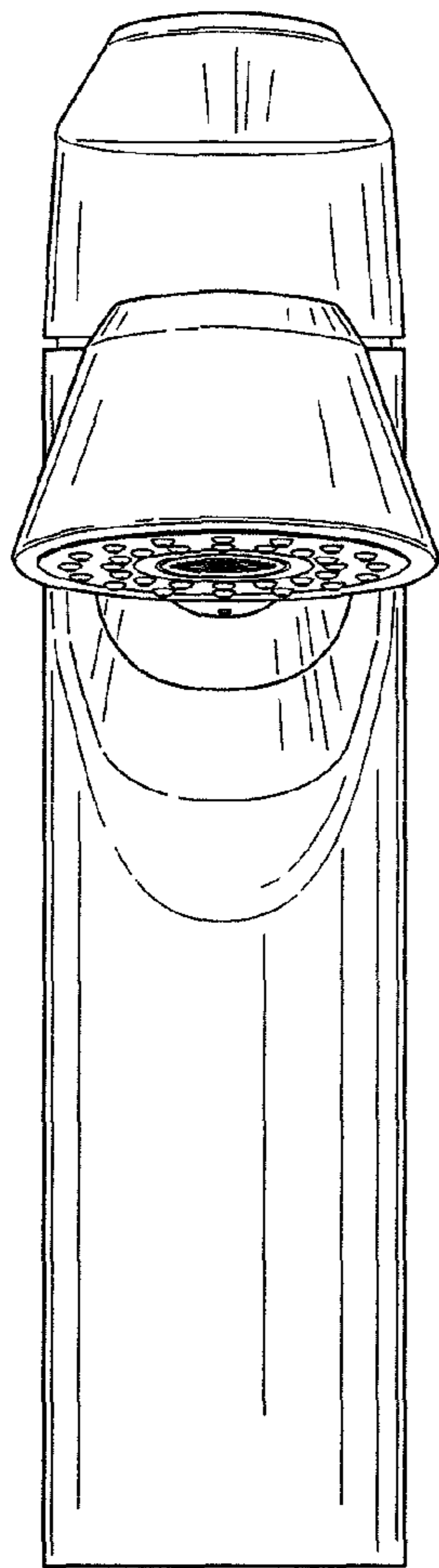


FIG. 3

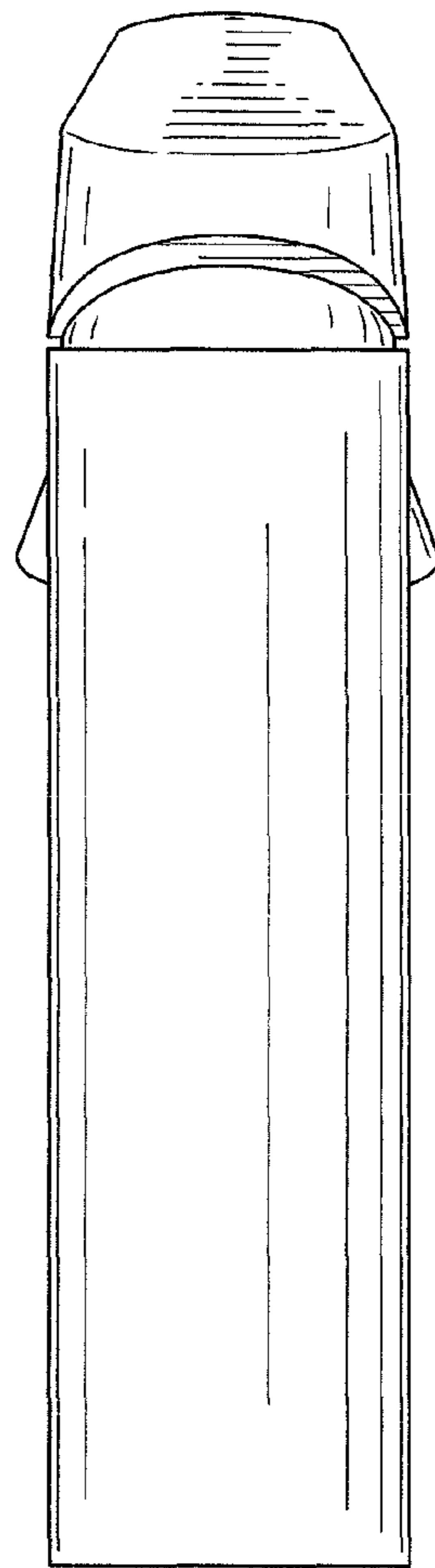


FIG. 4

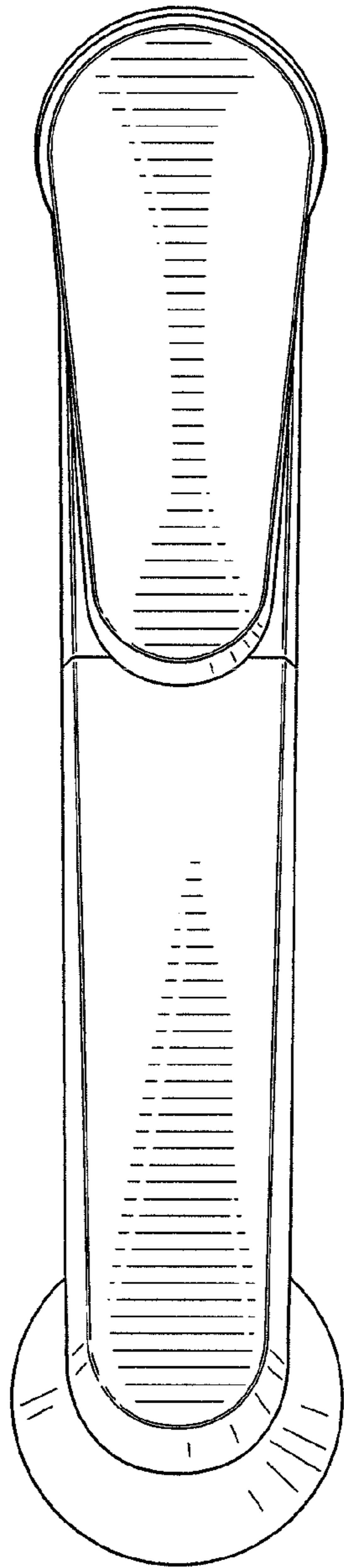


FIG. 5

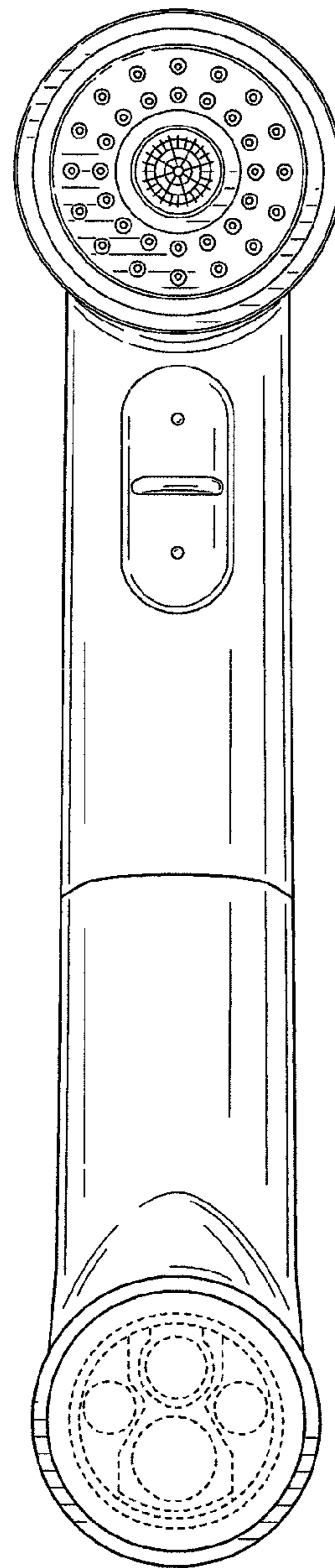
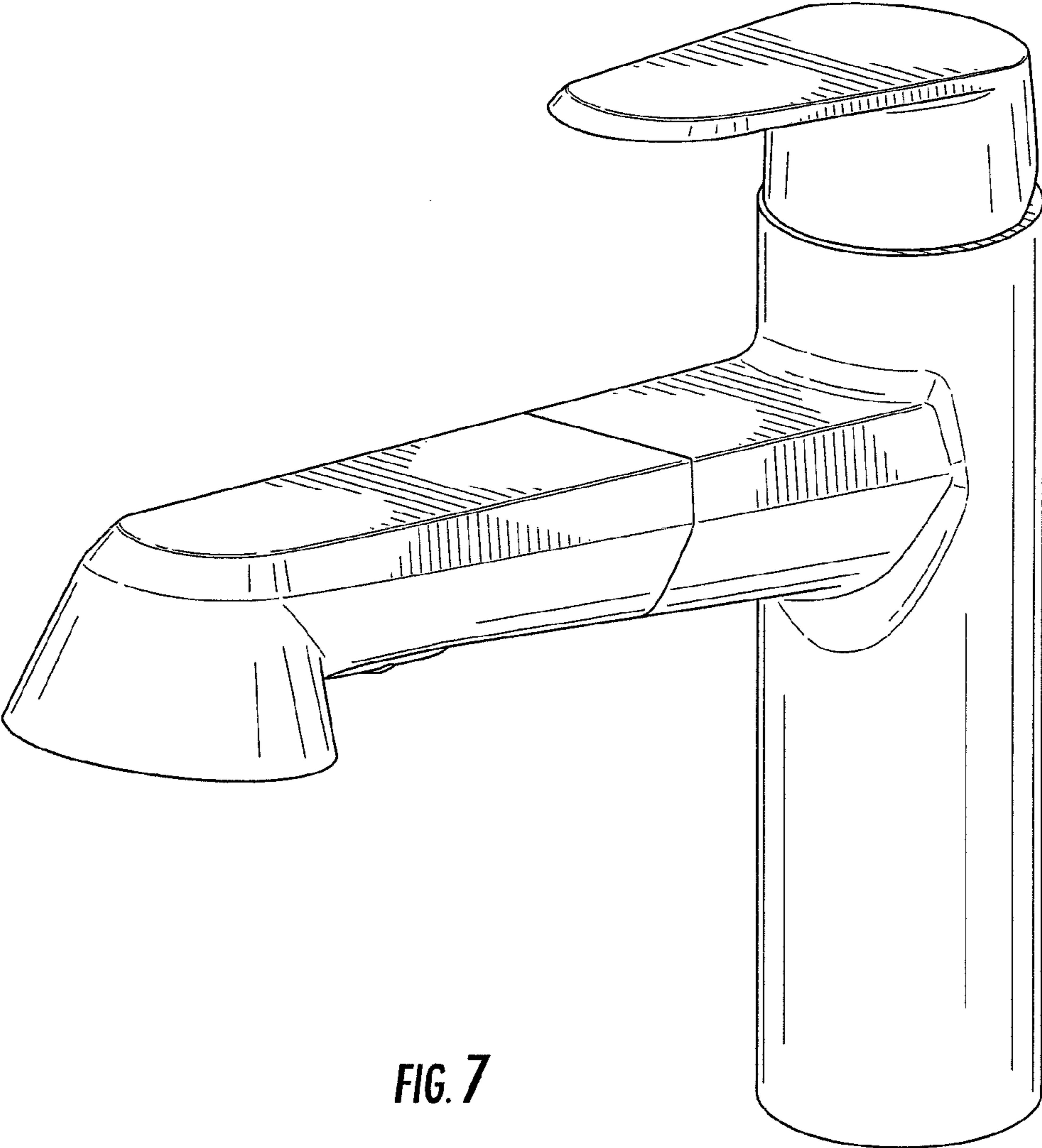


FIG. 6



**FIG. 7**