

US00D669555S

(12) **United States Design Patent**
Jaworski et al.

(10) **Patent No.:** **US D669,555 S**
(45) **Date of Patent:** **** Oct. 23, 2012**

(54) **FLOW CONTROL DEVICE**

(75) Inventors: **Jeffery S. Jaworski**, Sussex, WI (US);
Timothy E. Perrin, Hartford, WI (US);
Kevin B. Kline, Wauwatosa, WI (US)

(73) Assignee: **Bradley Fixtures Corporation**,
Menomonee Falls, WI (US)

(**) Term: **14 Years**

(21) Appl. No.: **29/407,865**

(22) Filed: **Dec. 2, 2011**

(51) **LOC (9) Cl.** **23-01**

(52) **U.S. Cl.** **D23/213**

(58) **Field of Classification Search** D23/213;
4/620; 239/597, 601

See application file for complete search history.

(56) **References Cited**

U.S. PATENT DOCUMENTS

2,305,210	A	12/1942	Wahlin	
2,428,748	A	10/1947	Barz	
2,658,799	A	11/1953	Fraser	
2,751,252	A	6/1956	Wahlin et al.	
2,949,242	A	8/1960	Blumberg et al.	
D189,117	S	10/1960	Bonzer	
3,072,346	A	1/1963	Wahlin et al.	
3,146,674	A	9/1964	Wahlin	
3,563,469	A	2/1971	Stacey	
3,865,310	A	2/1975	Elkins et al.	
4,055,301	A	10/1977	Hruby, Jr.	
4,274,595	A	6/1981	Yamin	
4,598,866	A	7/1986	Cammack et al.	
4,768,717	A *	9/1988	Shay	239/403
5,008,963	A	4/1991	Stein	
2,948,477	A	7/1996	Fraser	
5,530,972	A	7/1996	Tanner	
5,862,985	A	1/1999	Neibrook et al.	
6,205,599	B1	3/2001	Anders	
6,254,013	B1	7/2001	Clearman et al.	
6,923,386	B2	8/2005	Bonzer	
D604,801	S *	11/2009	Zore	D23/213
7,806,348	B2	10/2010	Kline et al.	

8,113,446	B2	2/2012	Kline et al.
2006/0102750	A1	5/2006	Grether
2007/0204398	A1	9/2007	Dubois
2009/0288251	A1	11/2009	Strandberg et al.

FOREIGN PATENT DOCUMENTS

DE	71 12 090	7/1971
DE	94 18 847	2/1995
FR	1063462	5/1954

OTHER PUBLICATIONS

Haws Corporation, Introducing the Revolutionary New axion™ msr, 2008, 6 pages.

English translation of German Utility Model Registration No. G 94 18 847.5 to Zvonko, Zdjelar, 17 pages.

International Search Report for International Application No. PCT/US2009/045979, mail date Sep. 29, 2009, 2 pages.

Haws Corporation, Specifying Emergency Drench Showers & Eye-washes, Dec. 10, 2008, 30 pages.

* cited by examiner

Primary Examiner — Robin V Webster

(74) *Attorney, Agent, or Firm* — Foley & Lardner LLP

(57) **CLAIM**

We claim the ornamental design for a flow control device, as shown and described.

DESCRIPTION

FIG. 1 is a front perspective view of the claimed design;

FIG. 2 is a rear perspective view thereof;

FIG. 3 is a front view thereof;

FIG. 4 is a right side view thereof;

FIG. 5 is a left side view thereof;

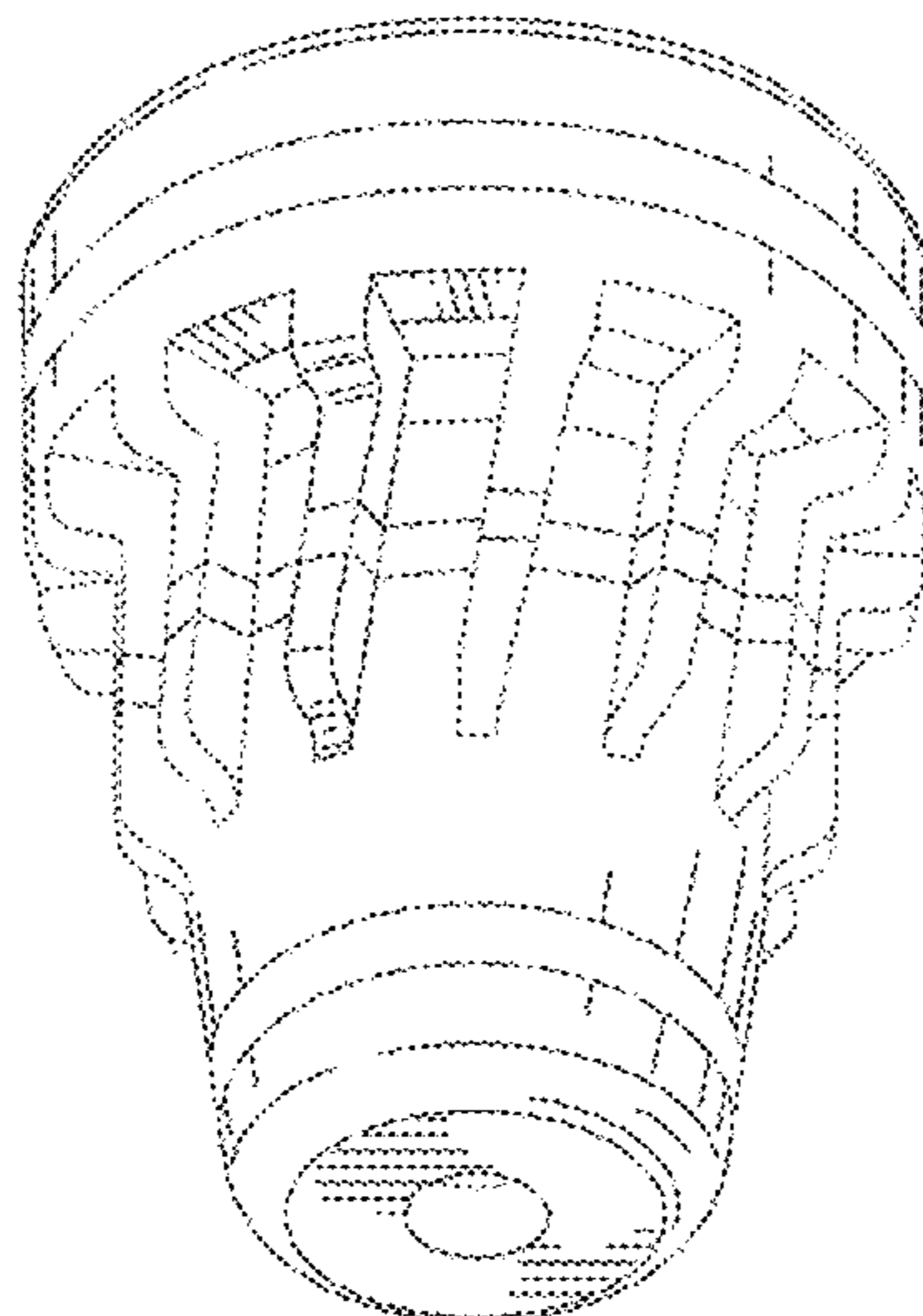
FIG. 6 is a rear view thereof;

FIG. 7 is a top view thereof; and,

FIG. 8 is a bottom view thereof.

The ornamental design which is claimed is shown in solid lines in the drawings. The broken lines in the drawings are for illustrative purposes only and form no part of the claimed design.

1 Claim, 7 Drawing Sheets



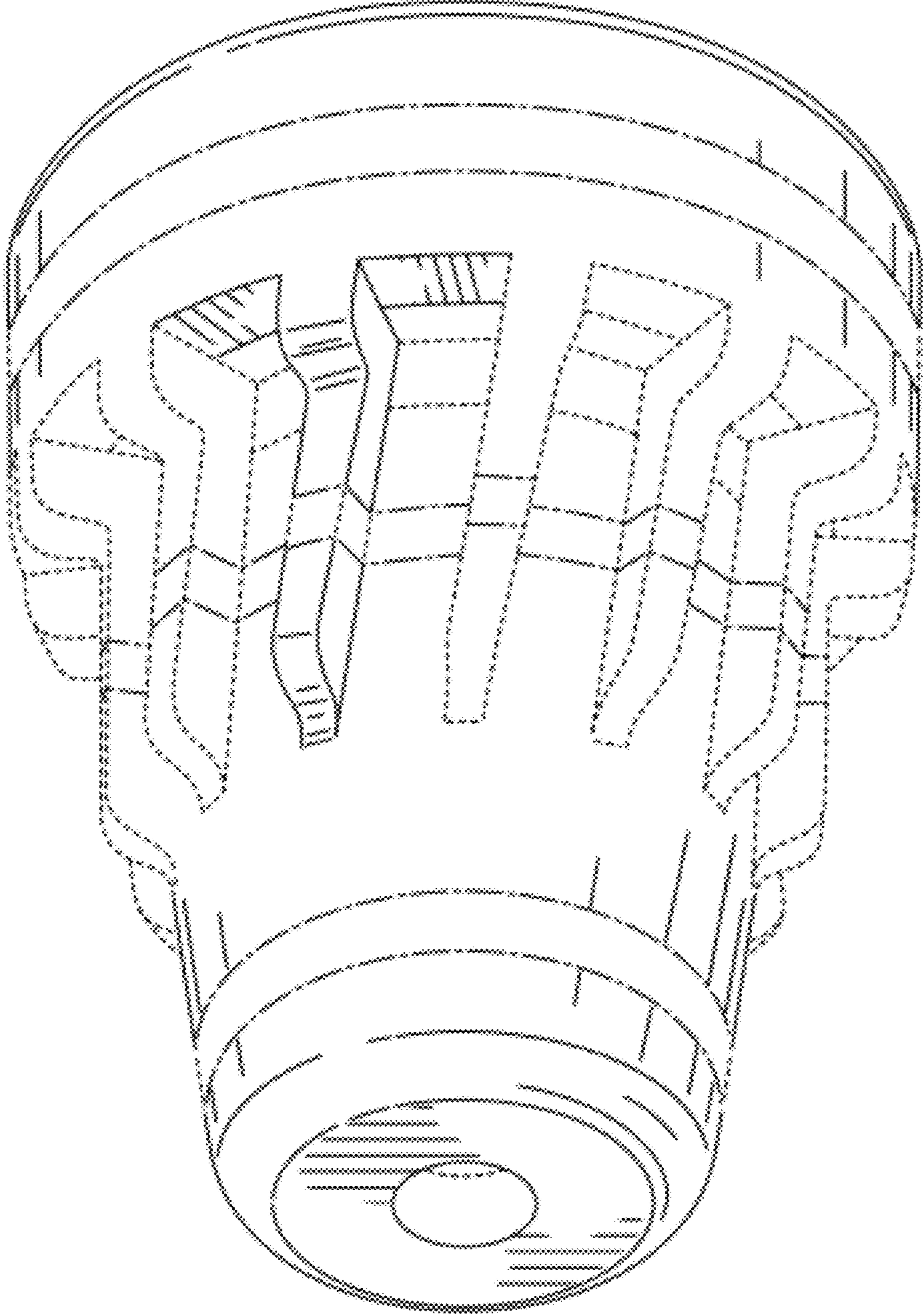


FIG. 1

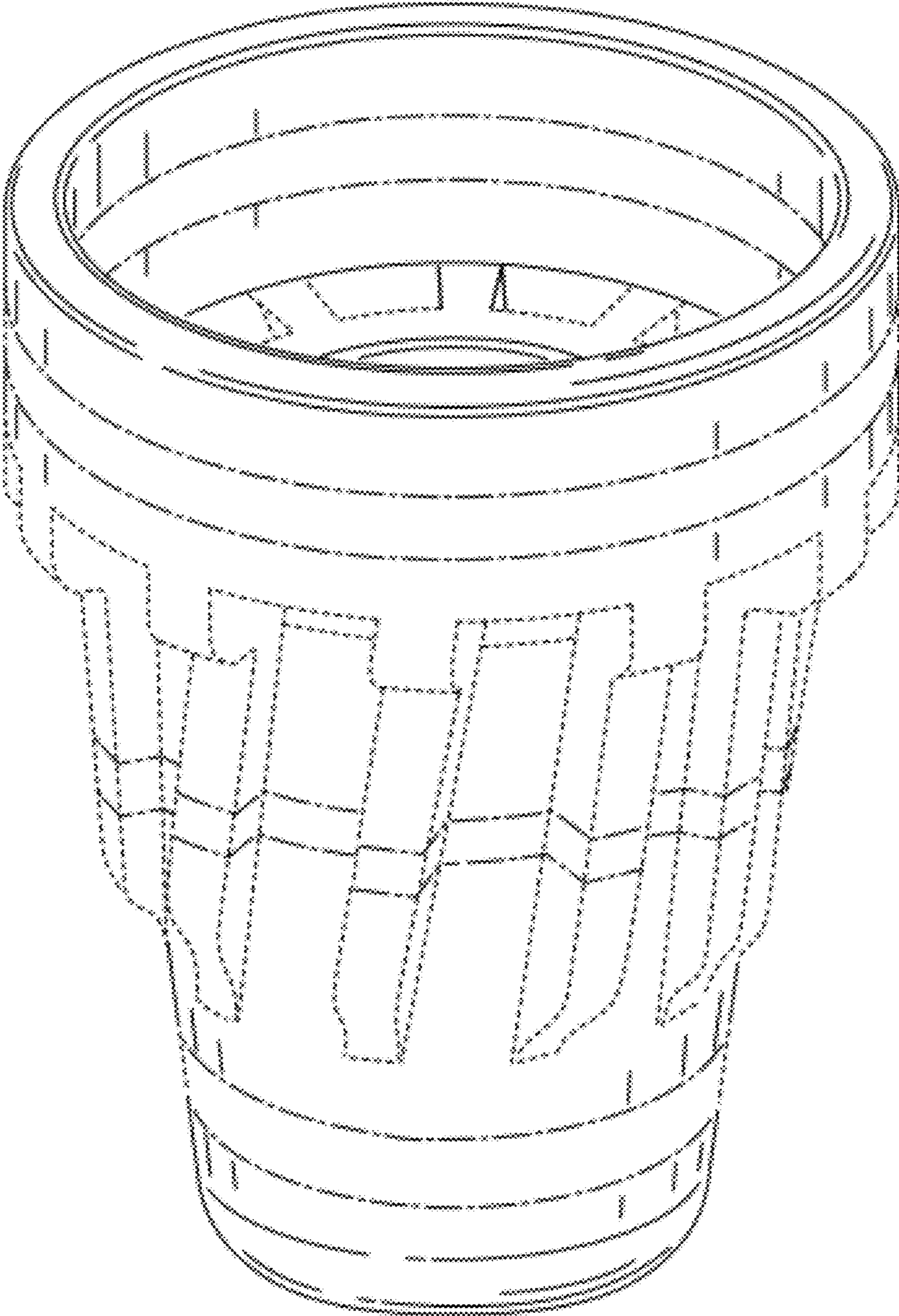


FIG. 2

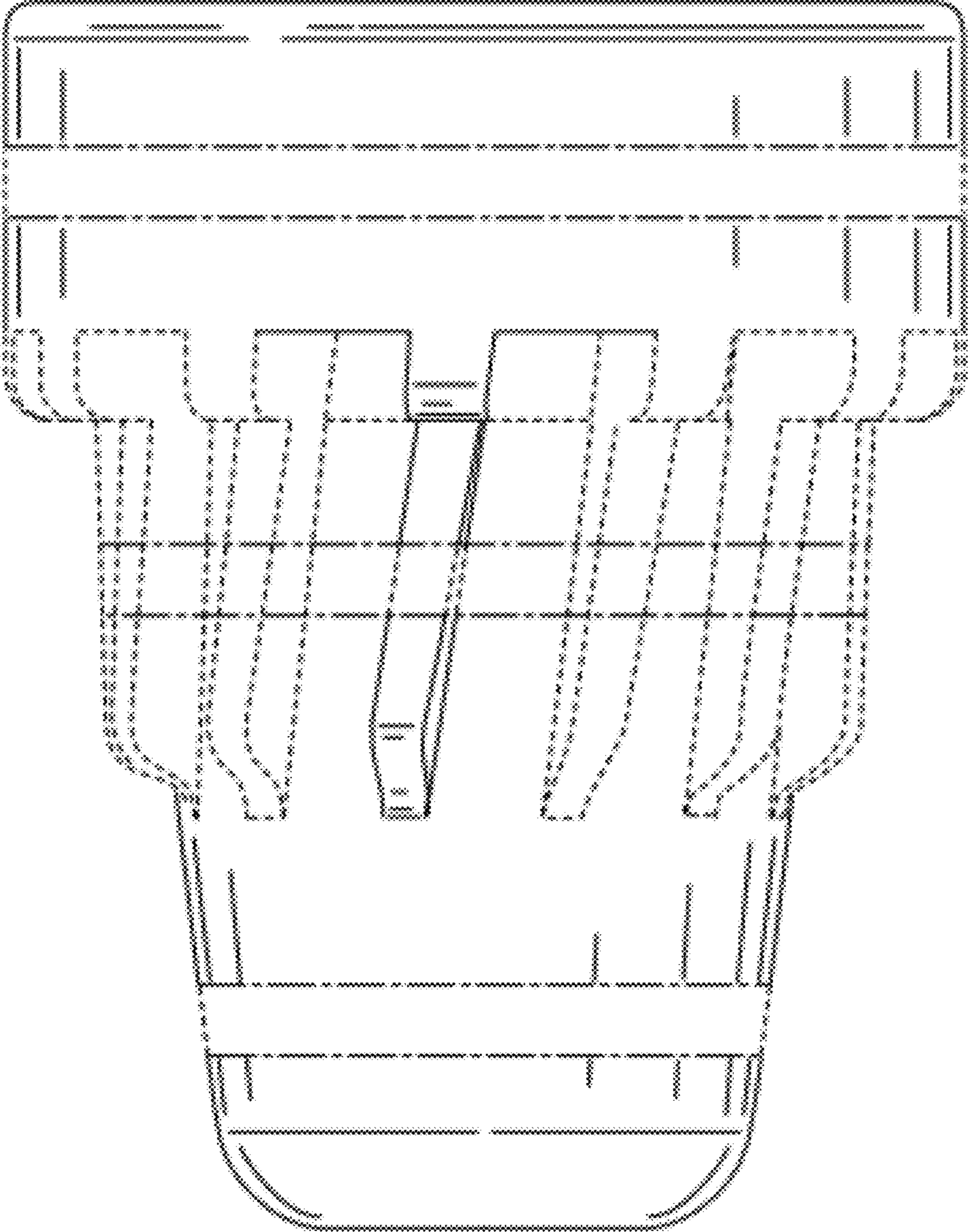


FIG. 3

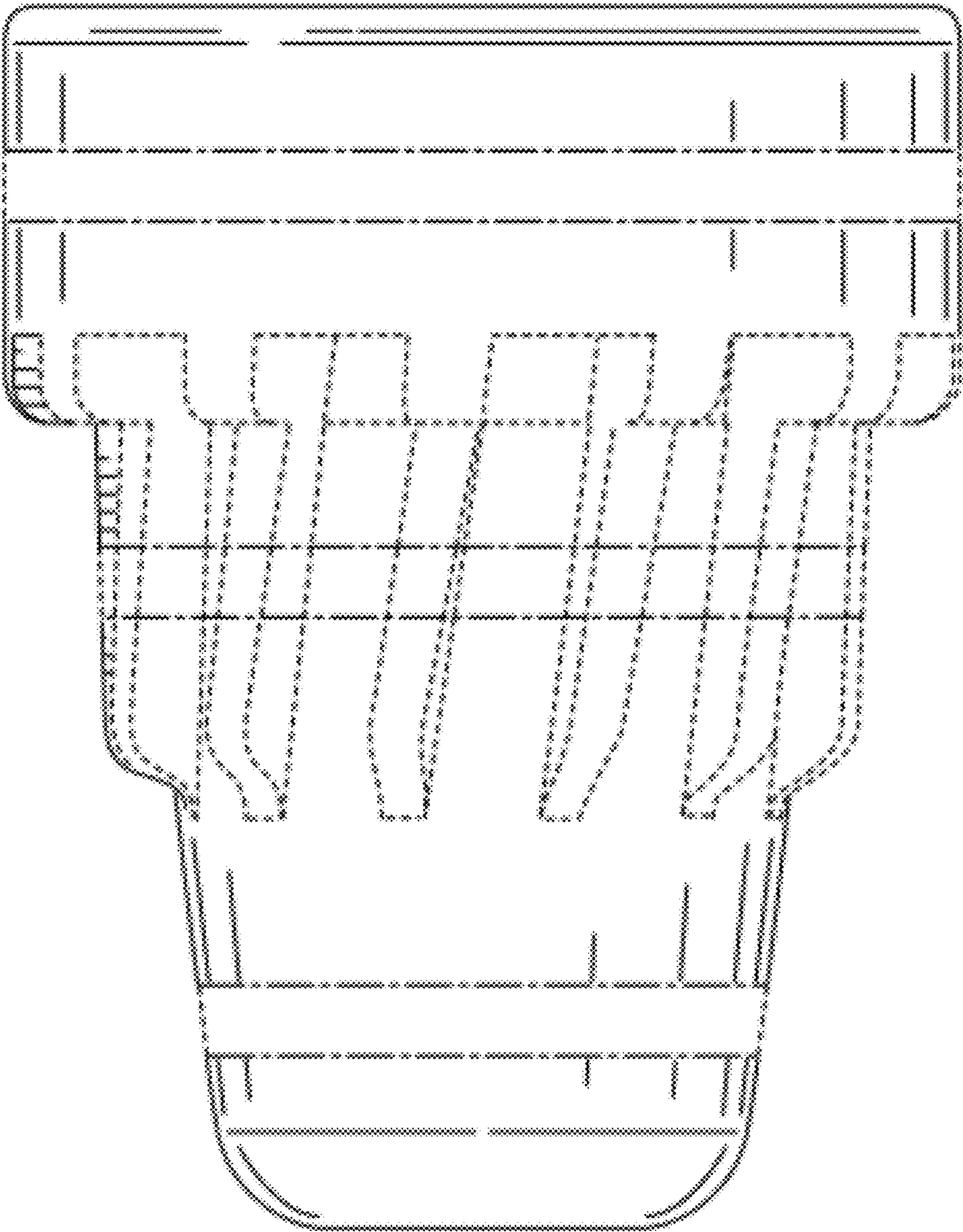


FIG. 4

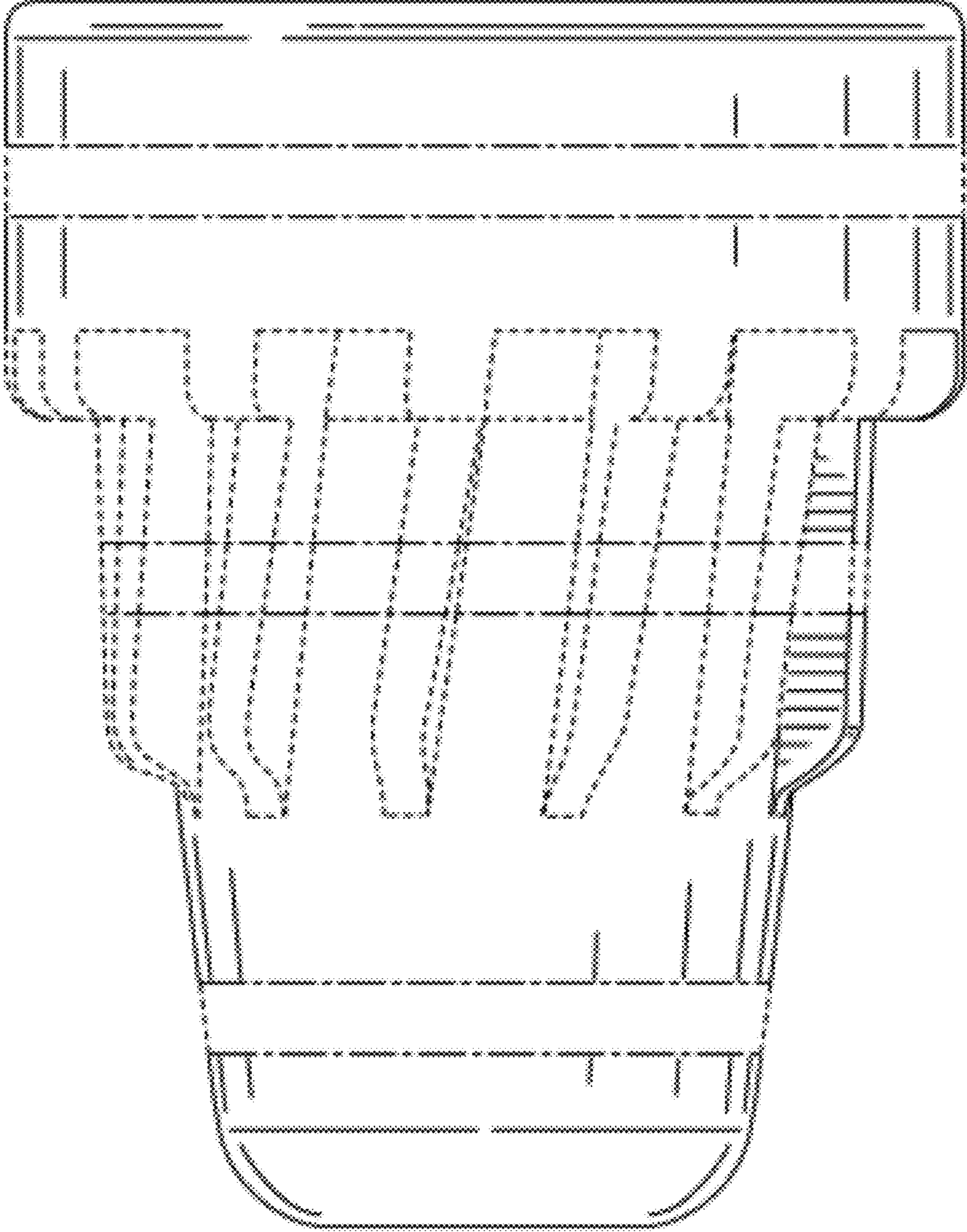


FIG. 5

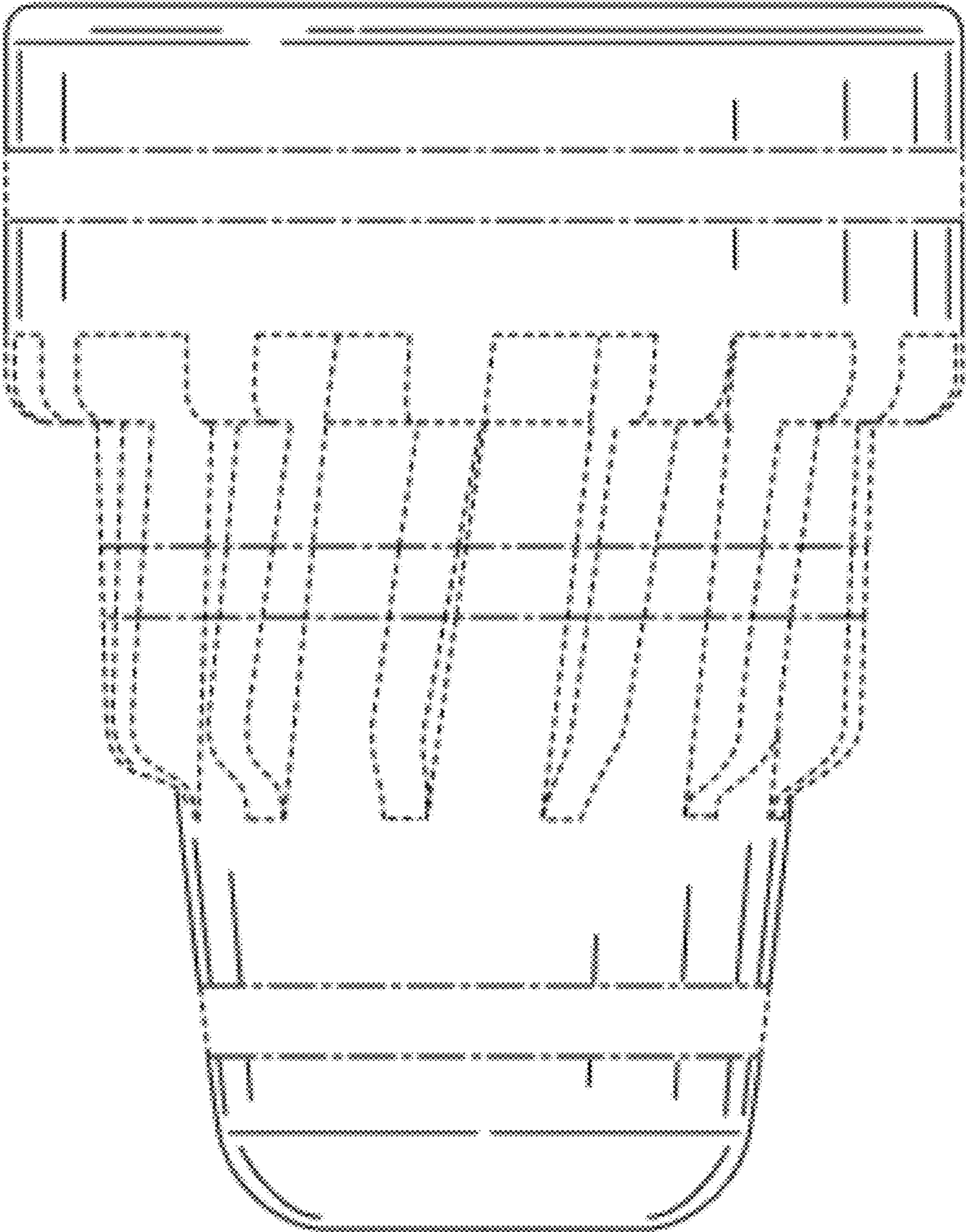


FIG. 6

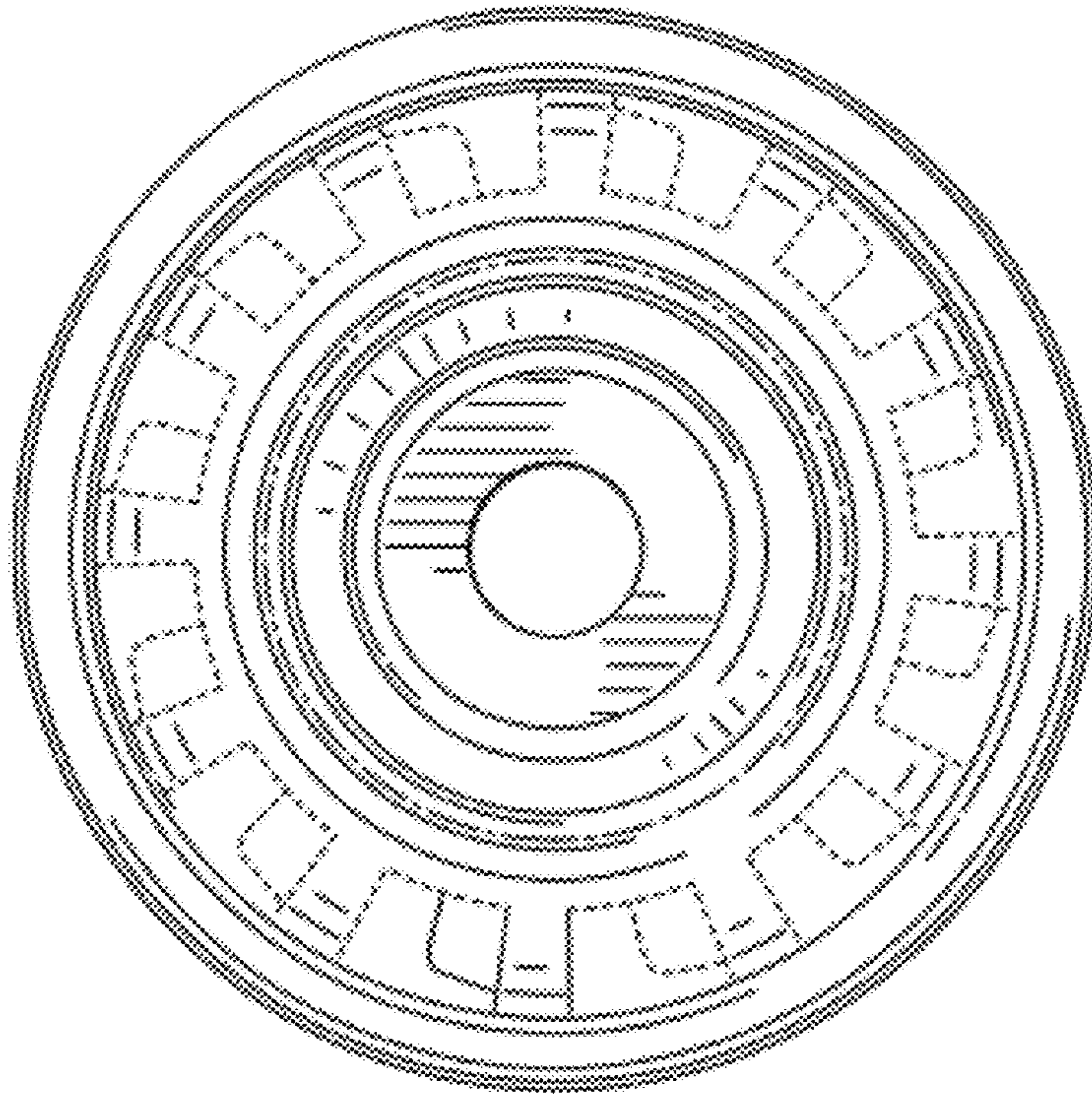


FIG. 7

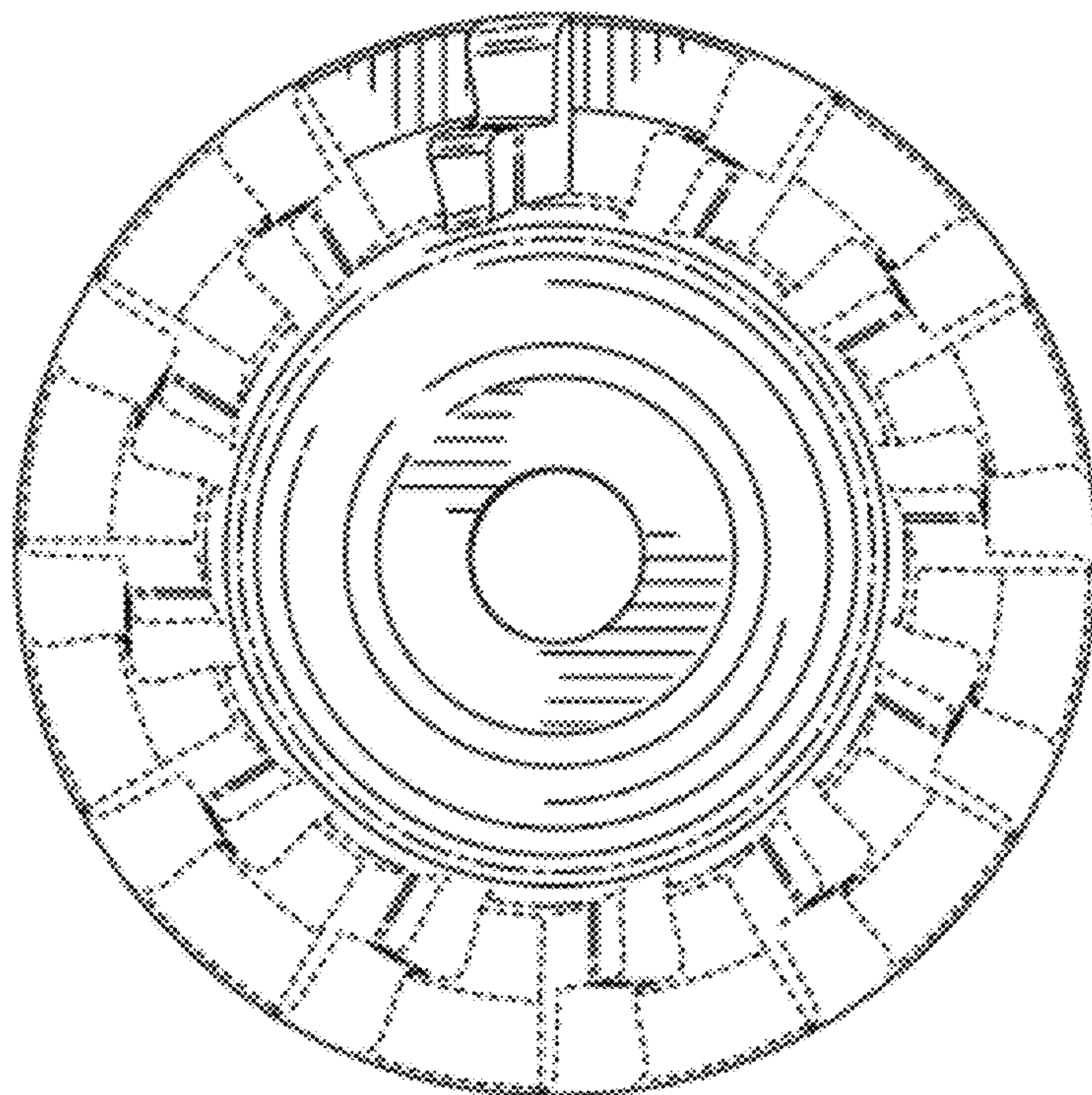


FIG. 8