

US00D669552S

(12) **United States Design Patent**
Essig et al.

(10) **Patent No.:** **US D669,552 S**
(45) **Date of Patent:** **** Oct. 23, 2012**

(54) **LASER DEVICE**

(75) Inventors: **Drew Essig**, Portland, OR (US);
Frederick Karl, West Linn, OR (US)

(73) Assignee: **Crimson Trace, Inc.**, Wilsonville, OR (US)

(**) Term: **14 Years**

(21) Appl. No.: **29/396,428**

(22) Filed: **Jun. 29, 2011**

(51) **LOC (9) Cl.** **22-01**

(52) **U.S. Cl.** **D22/108**

(58) **Field of Classification Search** D22/108-110,
D22/199; 89/111-133; 359/399, 409-411,
359/823, 744; 42/104, 105, 111-113, 116,
42/120, 124-126, 127-129, 141-148, 133-140;
33/227, 229; D16/130-136; D26/38-39
See application file for complete search history.

(56) **References Cited**

U.S. PATENT DOCUMENTS

| | | | | |
|-----------|------|---------|----------------|---------|
| 5,435,091 | A | 7/1995 | Toole et al. | |
| 5,706,600 | A | 1/1998 | Toole et al. | |
| 6,146,141 | A * | 11/2000 | Schumann | 434/11 |
| 7,260,910 | B2 * | 8/2007 | Danielson | 42/117 |
| 7,472,830 | B2 | 1/2009 | Danielson | |
| D603,478 | S | 11/2009 | Hughes | |
| D616,957 | S * | 6/2010 | Rievley et al. | D22/110 |

| | | | |
|--------------|----|---------|------------------|
| 7,743,547 | B2 | 6/2010 | Houde-Walter |
| 7,805,876 | B1 | 10/2010 | Danielson et al. |
| D636,049 | S | 4/2011 | Hughes et al. |
| D636,837 | S | 4/2011 | Hughes et al. |
| 8,028,461 | B2 | 10/2011 | NuDyke |
| 2011/0047850 | A1 | 3/2011 | Rievley et al. |

* cited by examiner

Primary Examiner — Michael A Pratt

(74) *Attorney, Agent, or Firm* — Schwabe, Williamson & Wyatt, P.C.

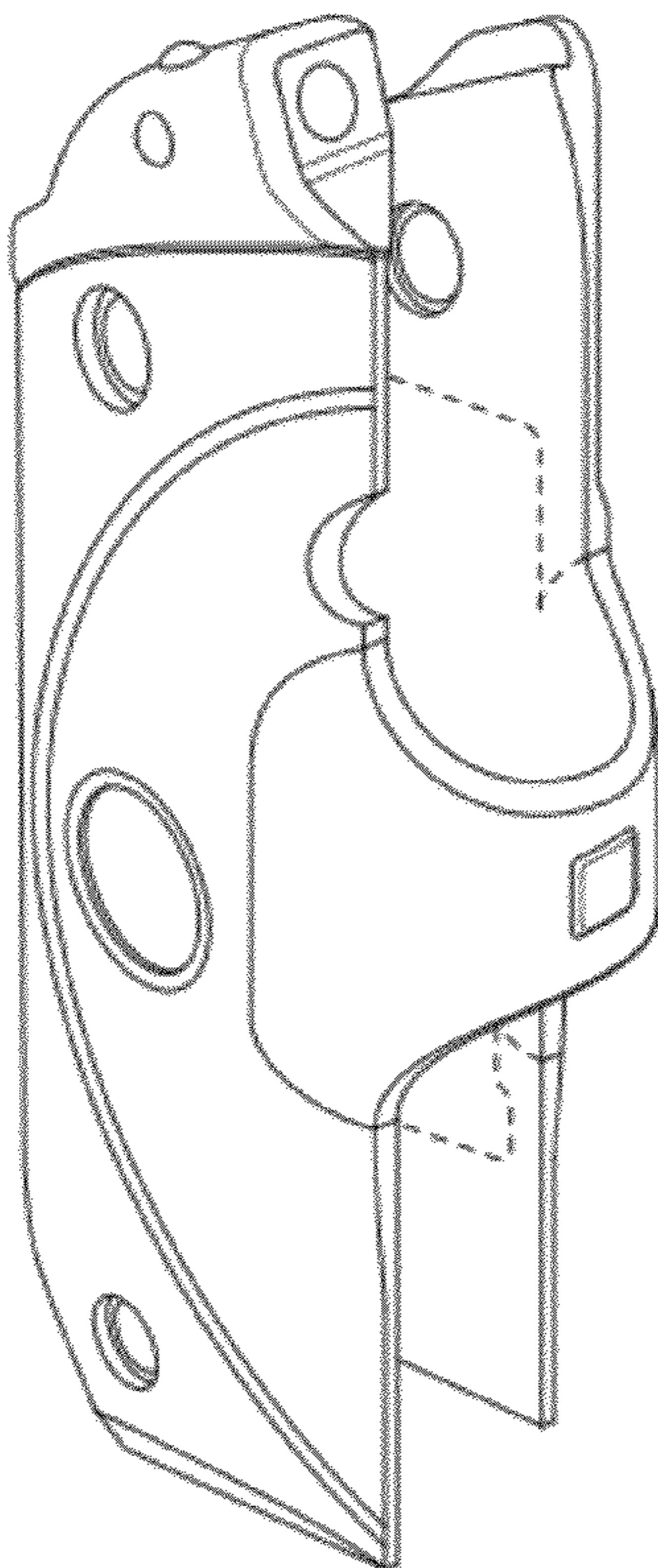
(57) **CLAIM**

We claim an ornamental design for a laser device, as shown and described.

DESCRIPTION

FIG. 1 is a perspective view of a laser device, showing my new design;
FIG. 2 is a front view thereof;
FIG. 3 is a rear view thereof;
FIG. 4 is a right side view thereof;
FIG. 5 is a left side view thereof;
FIG. 6 is a top view thereof;
FIG. 7 is a bottom view thereof; and,
FIG. 8 is a side perspective view thereof.
The dashed lines are included for illustrating interior and/or environmental structures and form no part of the claimed design.

1 Claim, 6 Drawing Sheets



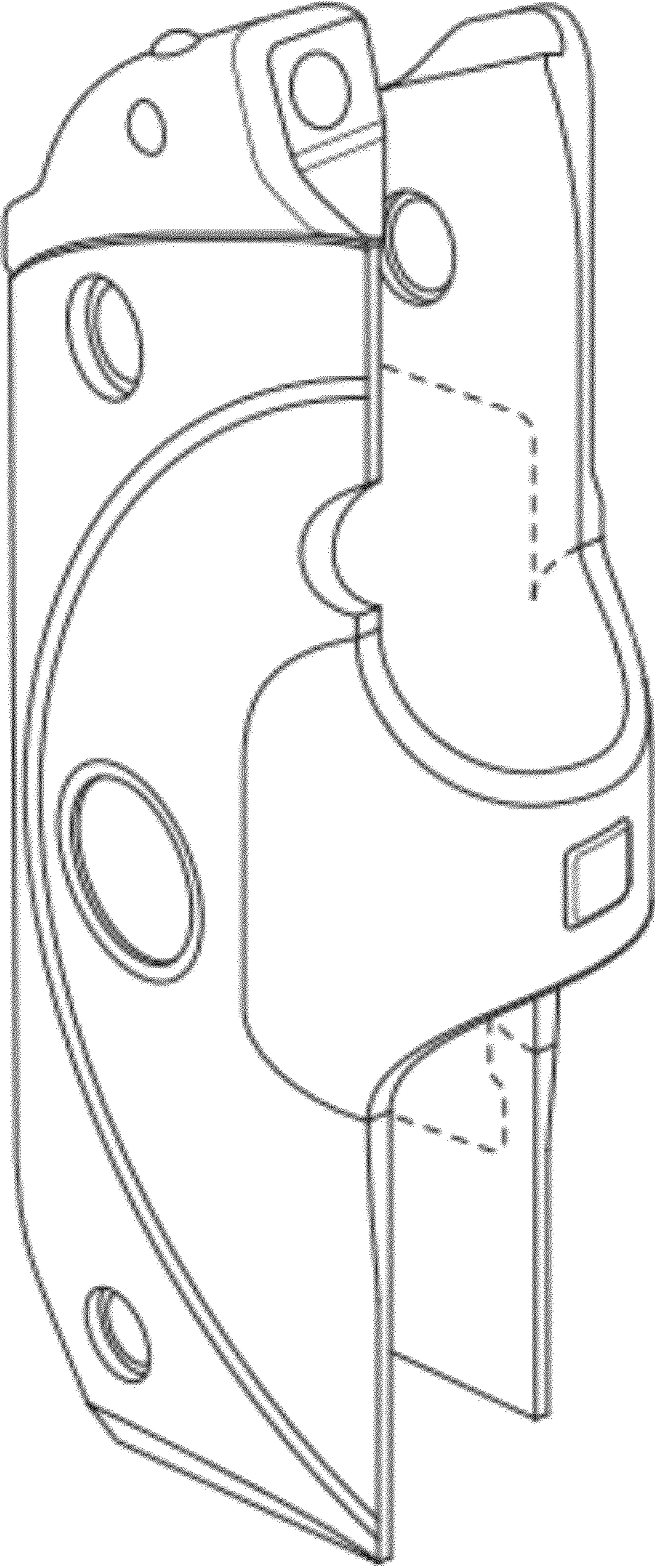


FIG. 1

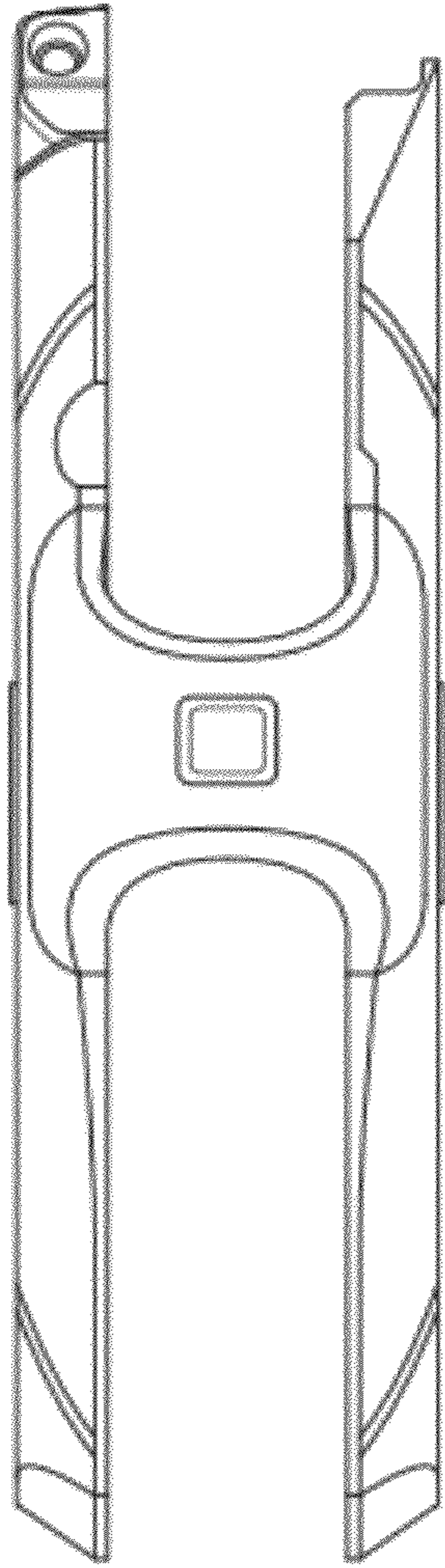


FIG. 2

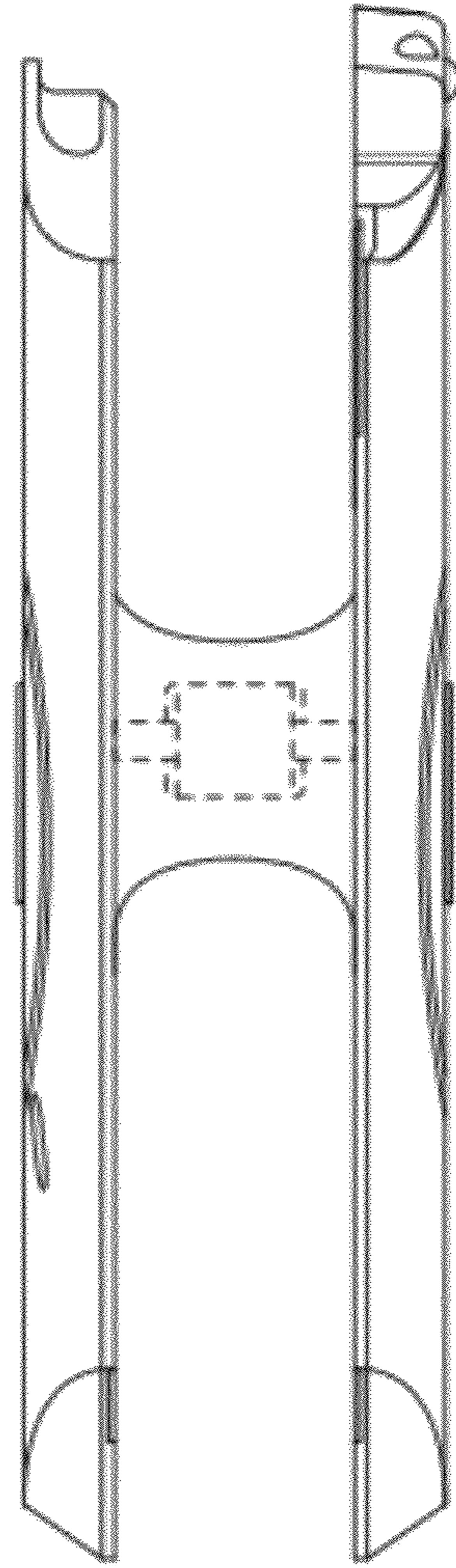


FIG. 3

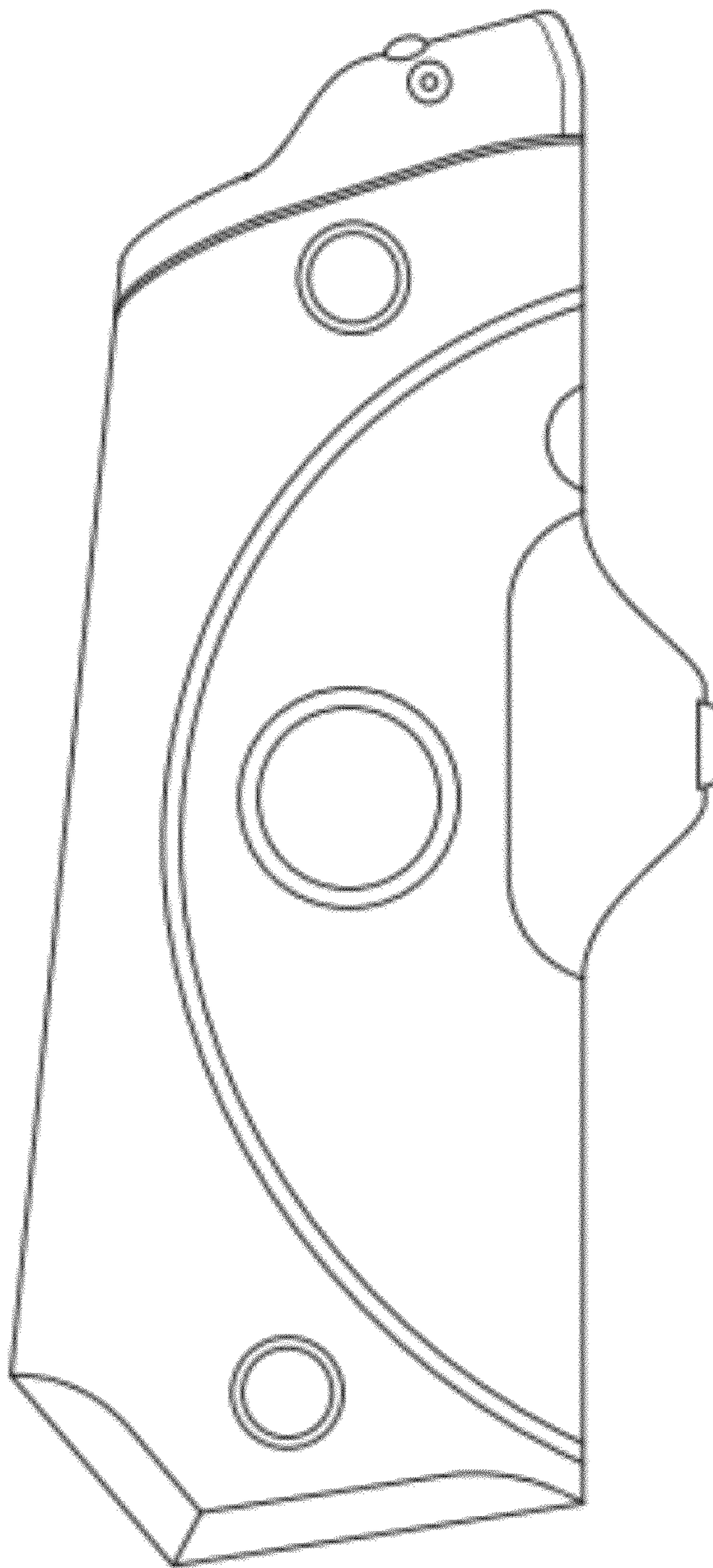


FIG. 4

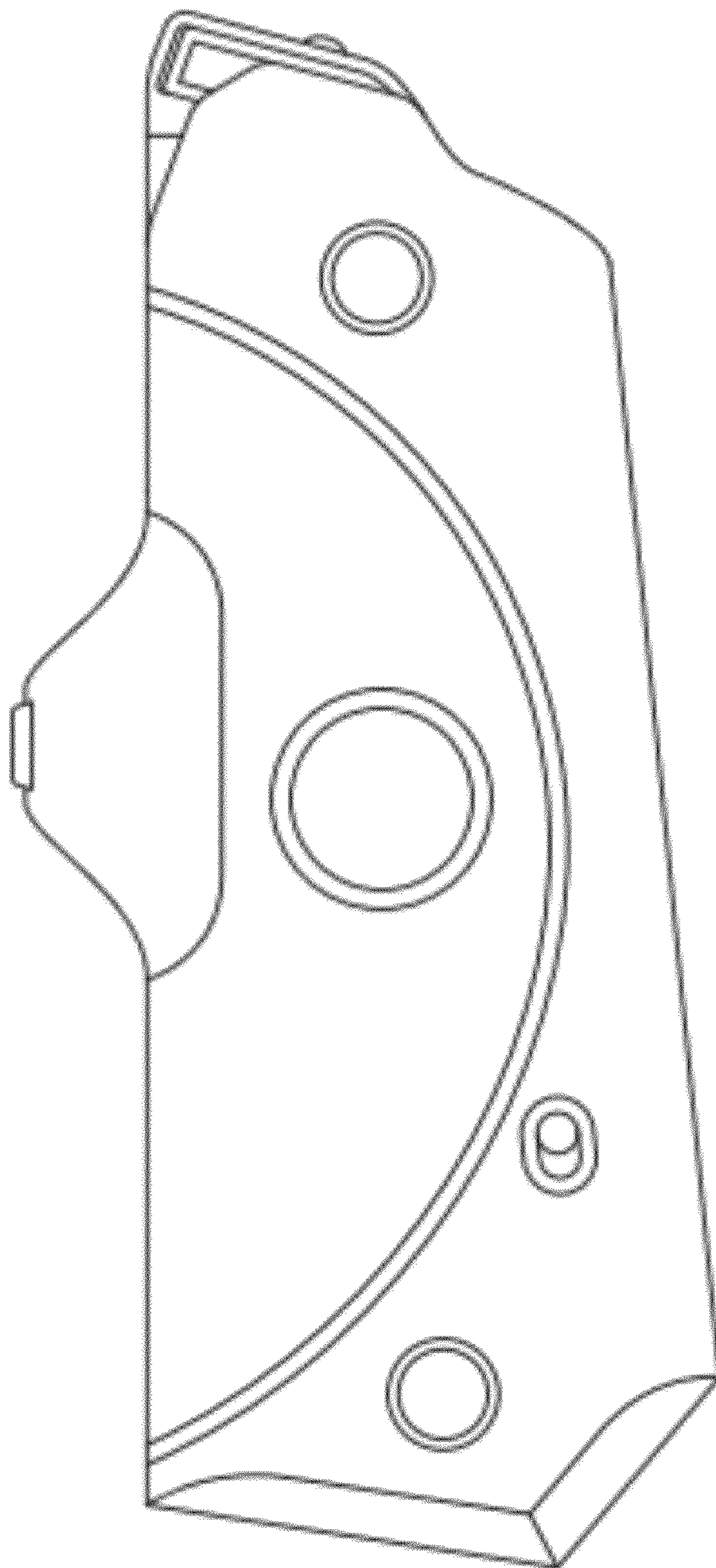


FIG. 5

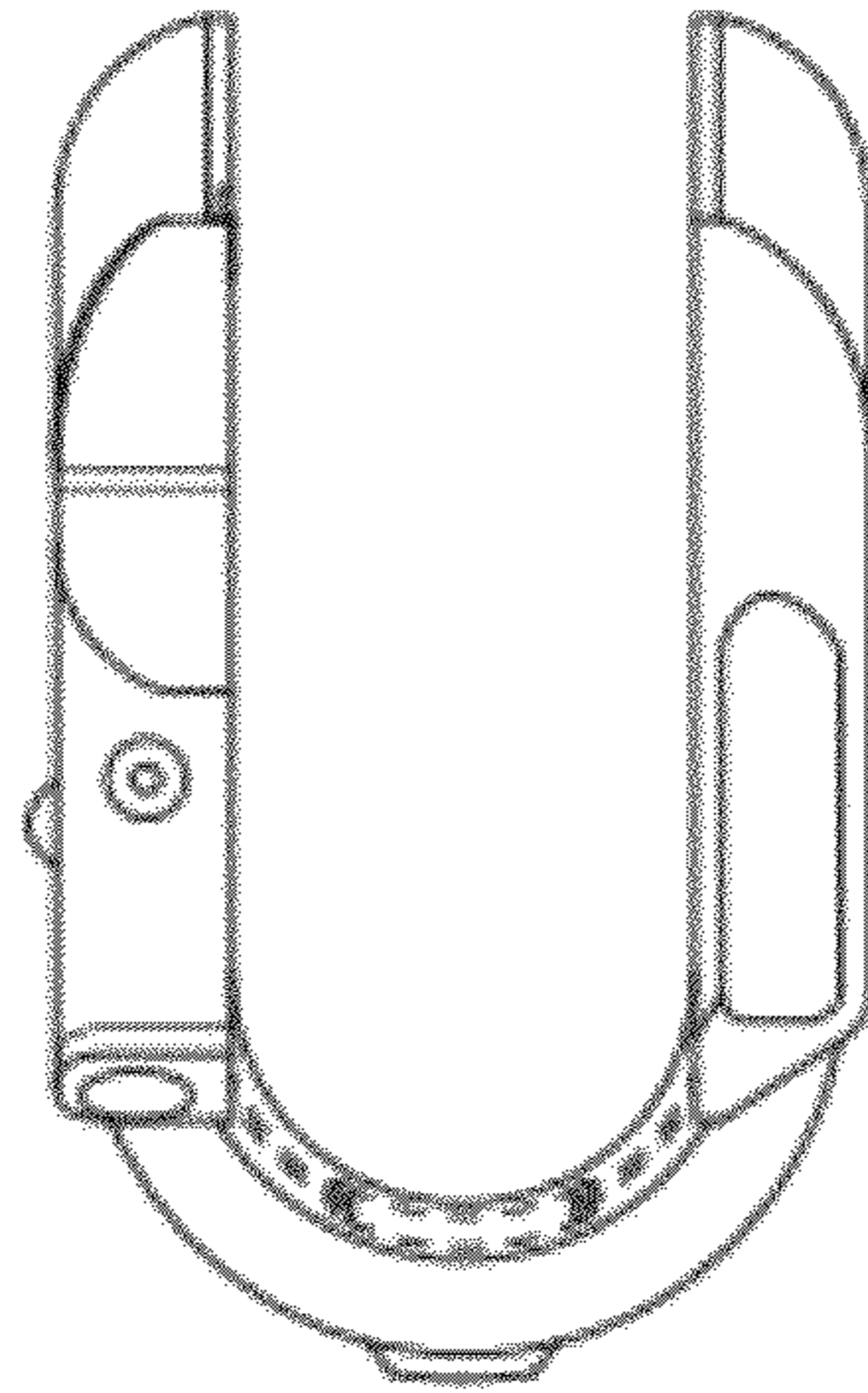


FIG. 6

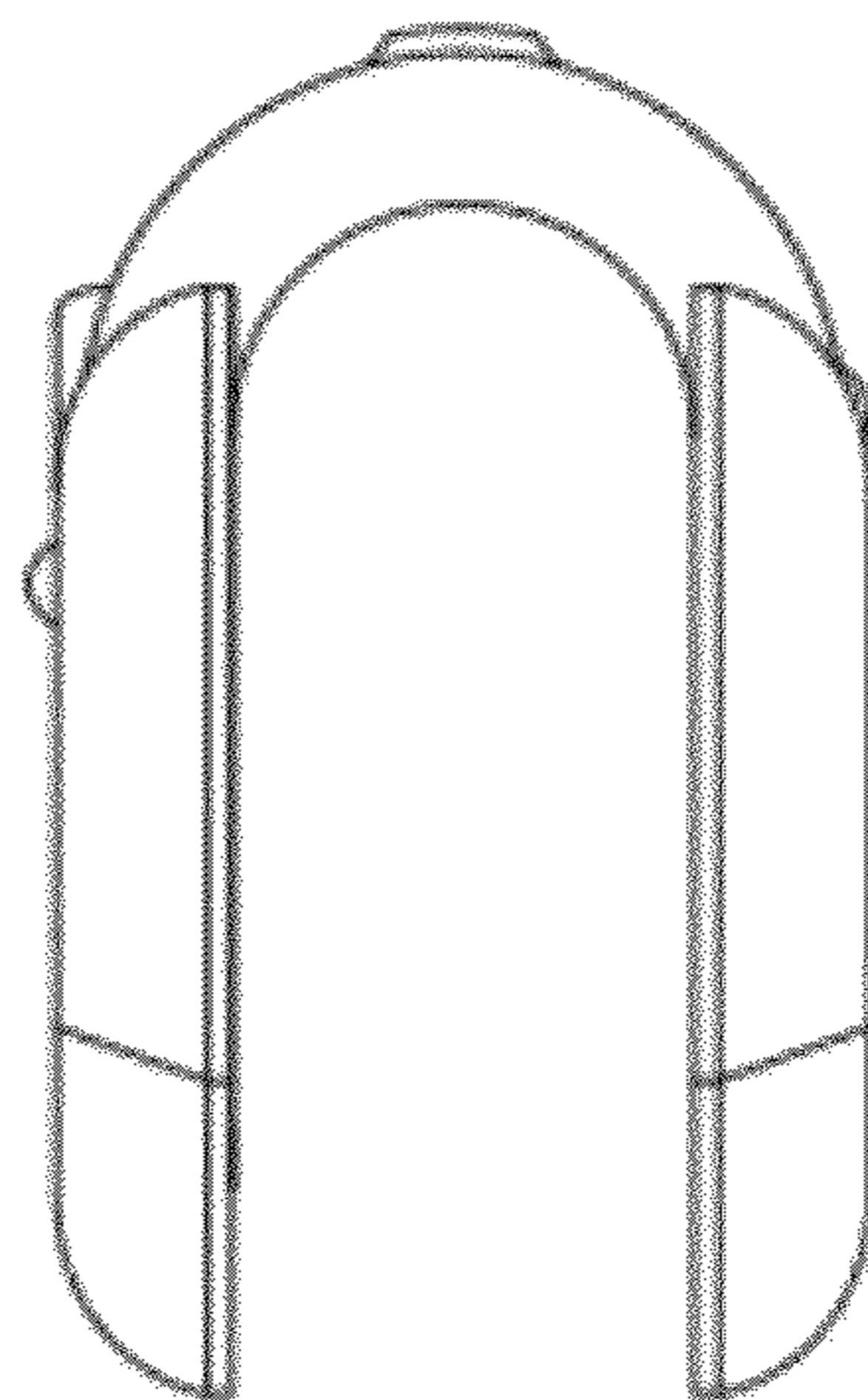


FIG. 7

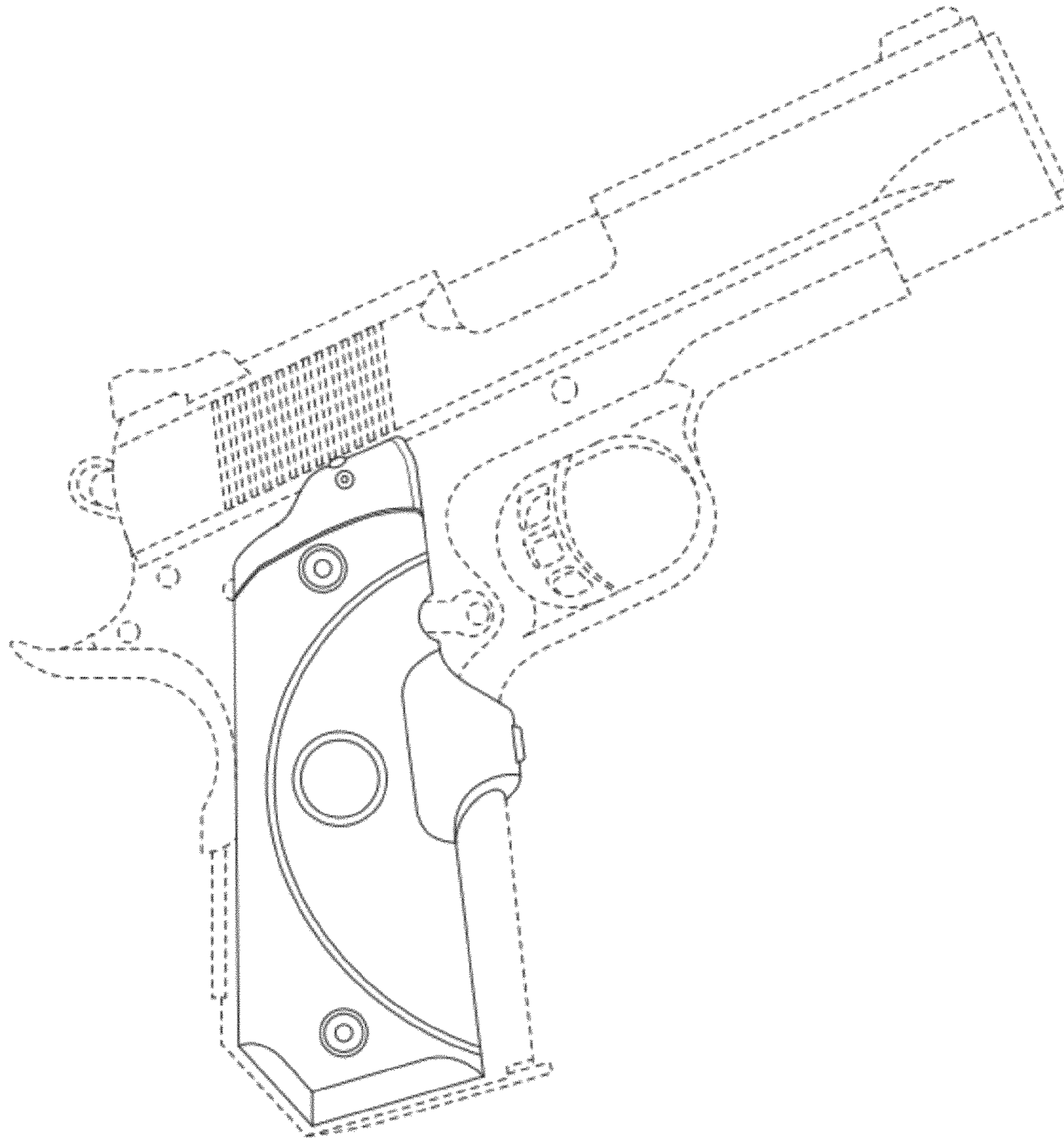


FIG. 8