



US00D669545S

(12) **United States Design Patent**  
**Miller, Jr.**

(10) **Patent No.:** **US D669,545 S**

(45) **Date of Patent:** **\*\* Oct. 23, 2012**

(54) **EXERCISE DEVICE**

(76) **Inventor:** **Gary Edward Miller, Jr.**, Staten Island, NY (US)

(\*\*) **Term:** **14 Years**

(21) **Appl. No.:** **29/391,361**

(22) **Filed:** **May 6, 2011**

(51) **LOC (9) Cl.** ..... **21-02**

(52) **U.S. Cl.** ..... **D21/662; D21/684**

(58) **Field of Classification Search** ..... D21/662, D21/679, 680, 684-686, 692, 694; 482/108, 482/110, 121-123, 125-127, 129, 132, 136, 482/140; D24/211; 601/120, 125; D30/160  
See application file for complete search history.

(56) **References Cited**

**U.S. PATENT DOCUMENTS**

D212,104 S *	8/1968	McDonald	.....	D21/662
3,451,671 A *	6/1969	May	.....	482/51
D221,874 S	9/1971	Collins		
D224,935 S	10/1972	Winger		
4,039,185 A *	8/1977	Rhodes	.....	273/451
D253,903 S *	1/1980	Gibson	.....	D21/684
D300,338 S *	3/1989	Kunio	.....	D21/693
D306,886 S	3/1990	Shiek et al.		
D308,559 S *	6/1990	Beck	.....	D21/684
5,046,727 A *	9/1991	Wilkinson et al.	.....	482/45
D351,436 S *	10/1994	Pravitz	.....	D21/684
D357,952 S	5/1995	Chen		
5,643,158 A *	7/1997	Clementi	.....	482/121
5,766,112 A *	6/1998	Chuan	.....	482/44
D441,413 S *	5/2001	Cataldi et al.	.....	D21/692
D454,929 S	3/2002	Huang		
D464,095 S *	10/2002	Yu	.....	D21/684
D544,554 S	6/2007	Brun		
D546,402 S	7/2007	Sonnier		
D576,693 S	9/2008	Khubani		
D579,990 S	11/2008	Dalcourt		

D585,947 S 2/2009 Royster  
D599,417 S 9/2009 Friedman et al.  
2006/0217247 A1\* 9/2006 Potak et al. .... 482/121

\* cited by examiner

*Primary Examiner* — Susan E Krakower

(74) *Attorney, Agent, or Firm* — QuickPatents, Inc.; Kevin Prince

(57) **CLAIM**

The ornamental design for a exercise device, as shown and described.

**DESCRIPTION**

FIG. 1 is a perspective view of a exercise device, showing the new design;

FIG. 2 is an exploded perspective view thereof;

FIG. 3 is an exploded front elevational view of FIG. 2, the rear elevational view being a mirror image thereof;

FIG. 4 is a top plan view of FIG. 2, the bottom plan view being a mirror image thereof;

FIG. 5 is a left-side elevational view thereof, the right-side elevational view being a mirror image thereof;

FIG. 6 is a right-side elevational view of a left handle thereof, a tube and a right handle omitted for clarity of illustration;

FIG. 7 is a left-side elevational view of the right handle thereof, the tube and the handle omitted for clarity of illustration;

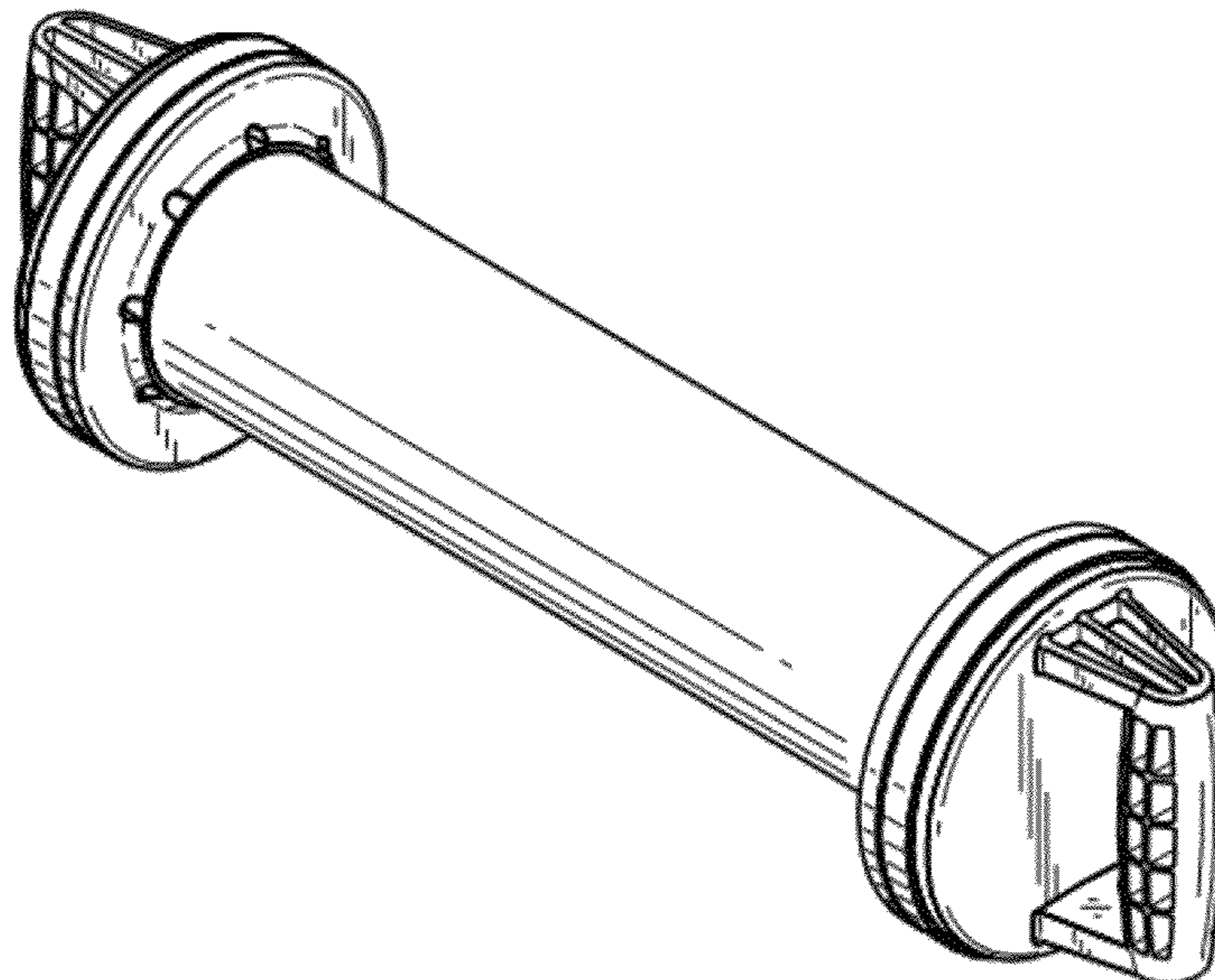
FIG. 8 is a left-side elevational view of the tube thereof, the right handle and left handle omitted for clarity of illustration;

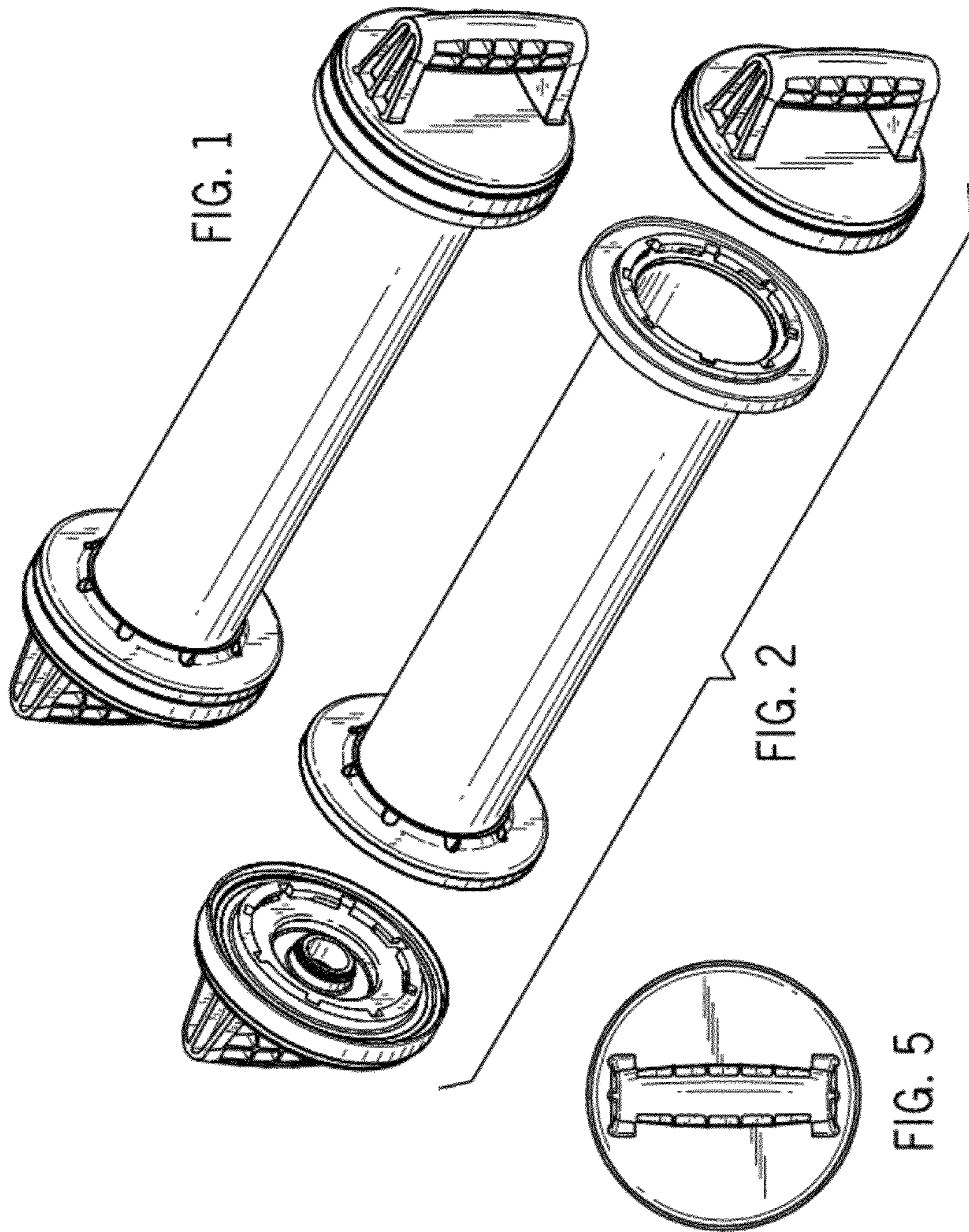
FIG. 9 is a right-side elevational view of the tube, the right handle and left handle omitted for clarity of illustration; and,

FIG. 10 is an enlarged perspective view of the left and right handles mutually joined in a configuration that does not include the tube.

The broken lines in FIGS. 7 and 8 depict unclaimed portions of the design.

**1 Claim, 3 Drawing Sheets**





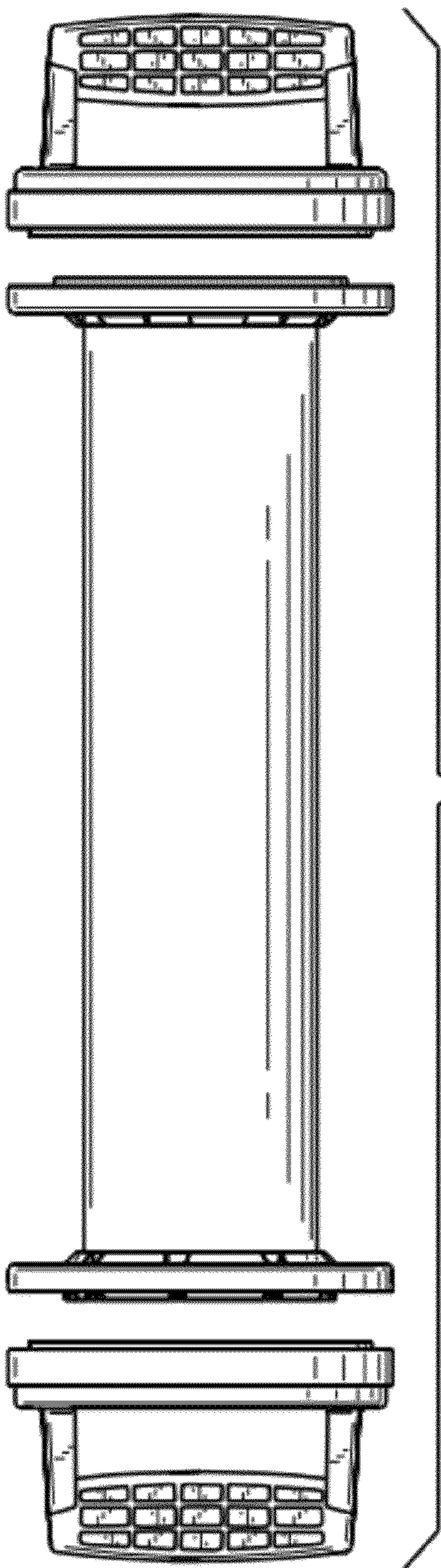


FIG. 3

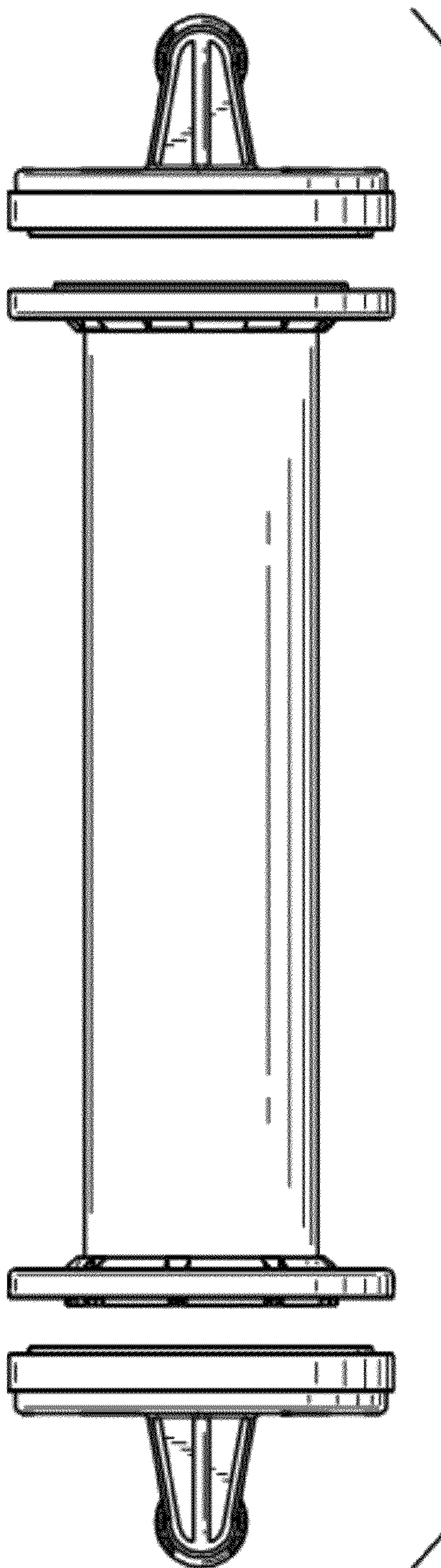


FIG. 4

FIG. 6

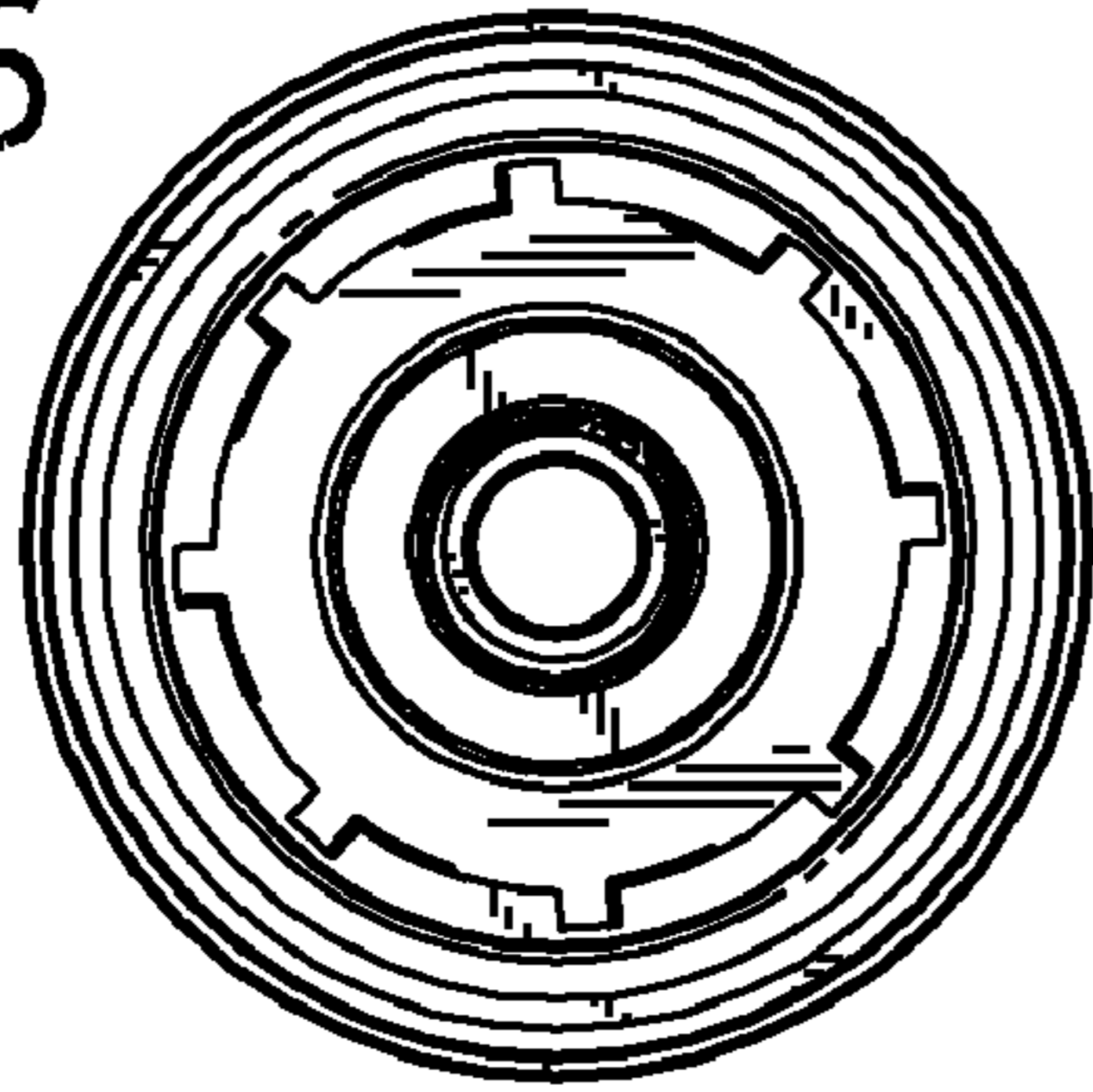


FIG. 7

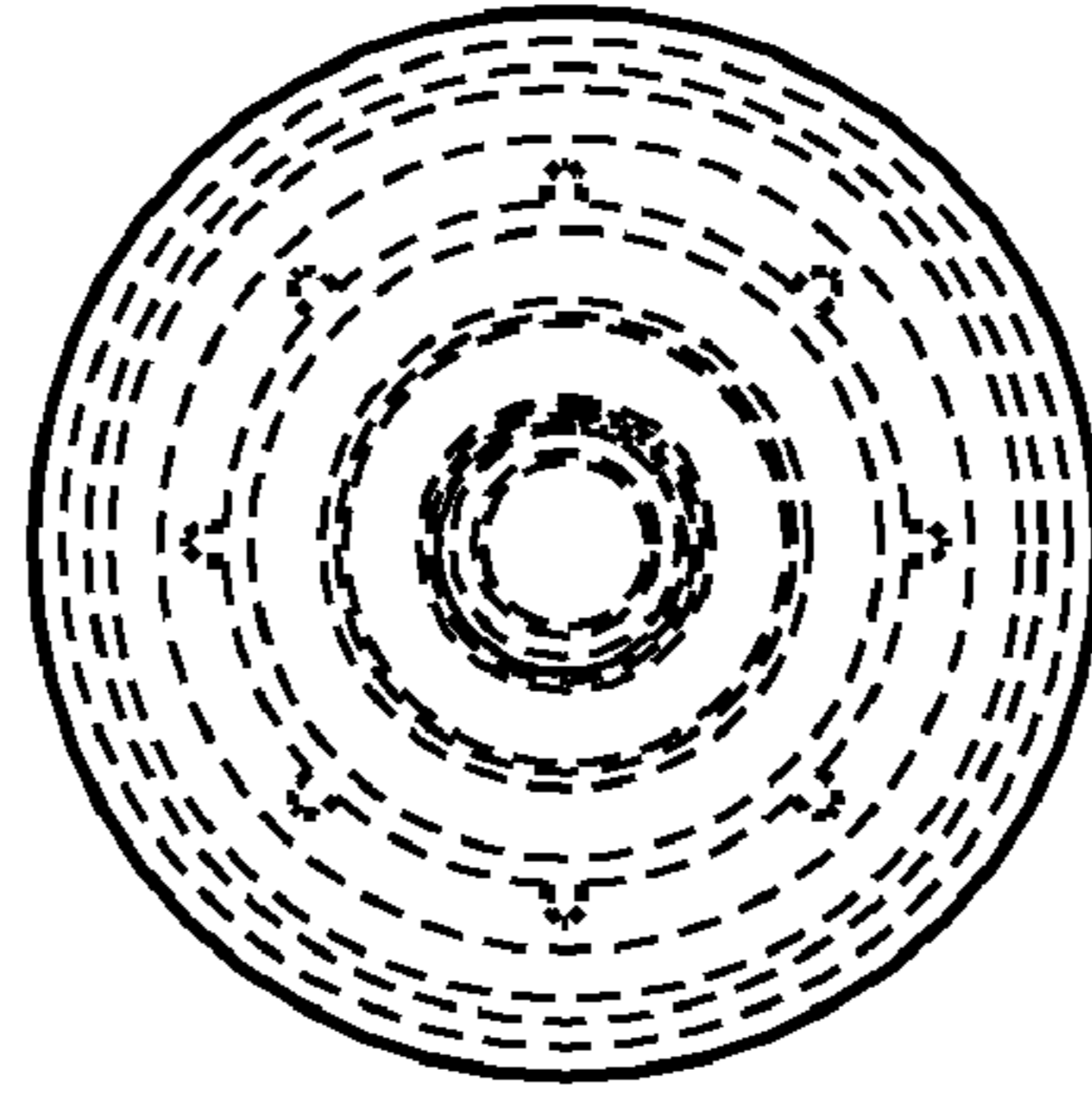


FIG. 8

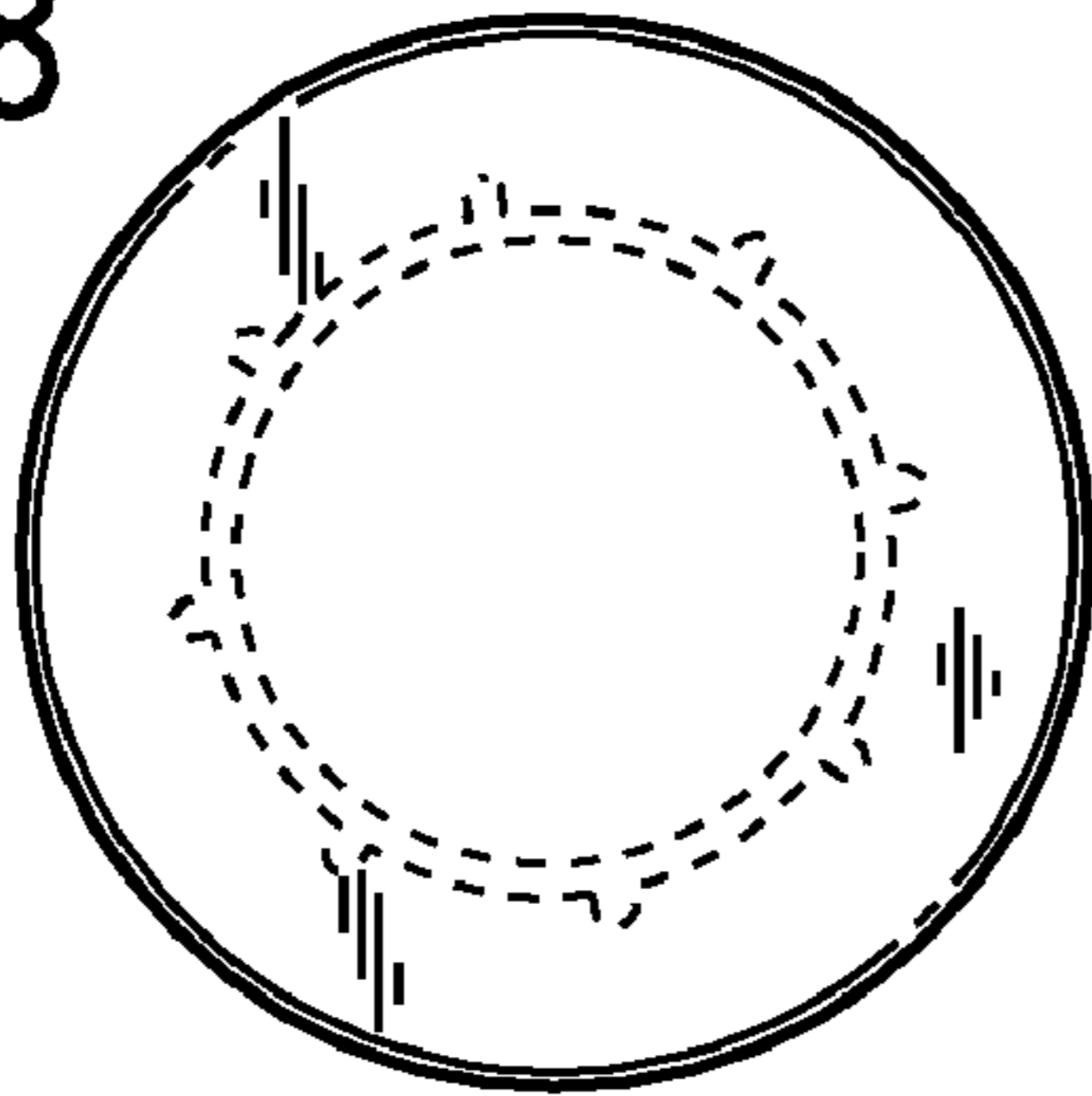


FIG. 9

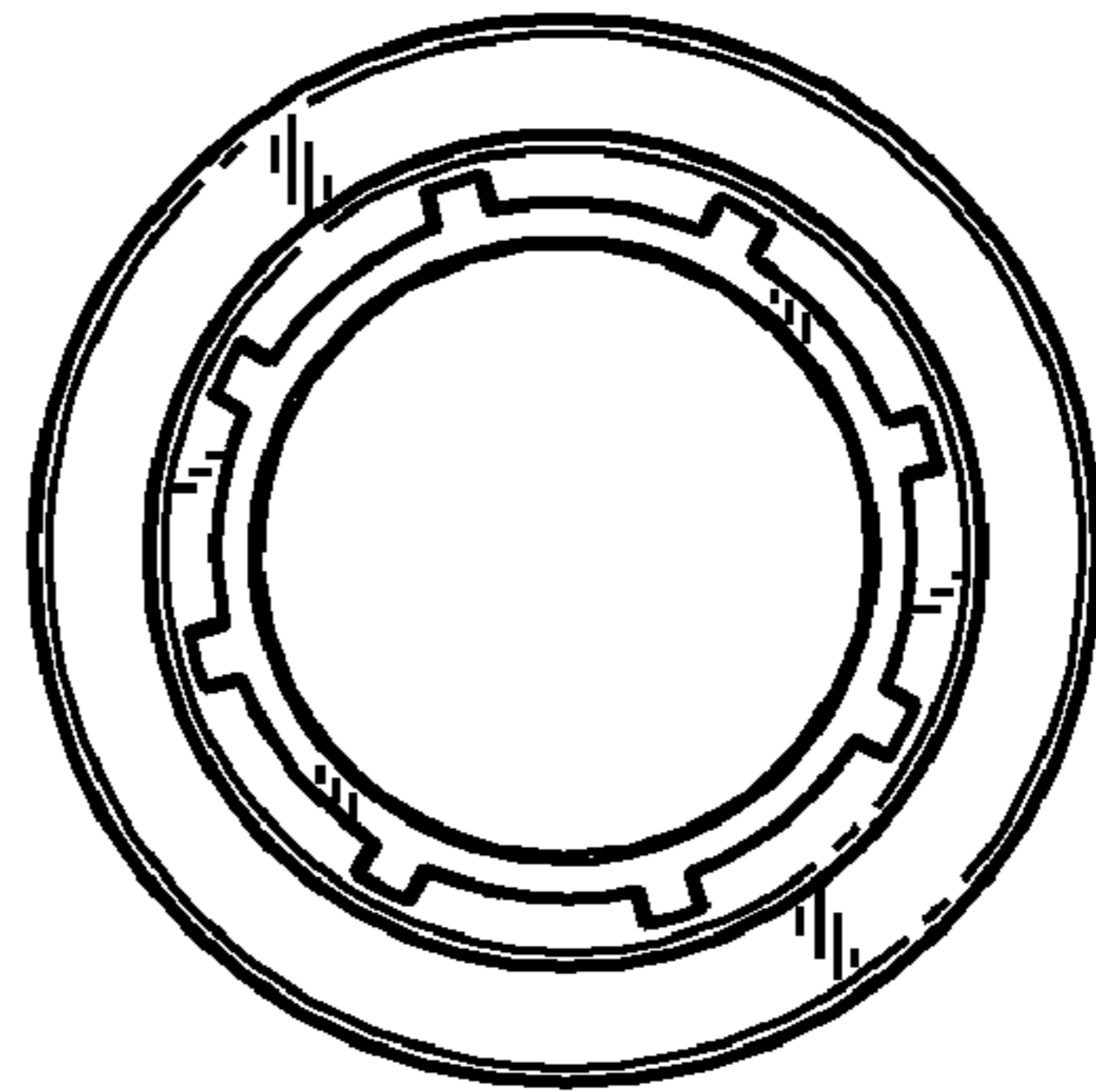


FIG. 10

