

US00D669543S

(12) **United States Design Patent**
Wiseman et al.

(10) **Patent No.:** **US D669,543 S**
(45) **Date of Patent:** **** Oct. 23, 2012**

(54) **TOY PLAYSET**

(76) Inventors: **Andy Wiseman**, Bella Vista, AR (US);
Anton Erick Martinson, New Prague,
MN (US); **Corey Feit**, St. Louis, MO
(US); **Chad Stuemke**, St. Louis, MO
(US); **Dale Picolet**, St. Louis, MO (US);
Hak Yau Hung, Happy Valley (HK);
Woo Shou Kenneth Ting, Hong Kong
(HK)

(**) Term: **14 Years**

(21) Appl. No.: **29/374,320**

(22) Filed: **Jul. 28, 2011**

(51) **LOC (9) Cl.** **21-01**

(52) **U.S. Cl.** **D21/565; D21/506**

(58) **Field of Classification Search** D21/484,
D21/490, 493, 506, 509, 564, 565, 814, 826,
D21/827, 831-833; 446/168-174, 84, 89,
446/108, 112, 114, 116, 124-128, 429, 444-447;
463/58-69; 238/10 R, 10 A-10 C, 10 E,
238/10 F; 104/60, 69

See application file for complete search history.

(56) **References Cited**

U.S. PATENT DOCUMENTS

4,094,089 A * 6/1978 Sano 446/487
4,185,409 A * 1/1980 Cheng 446/487
4,227,693 A * 10/1980 Moe et al. 463/69

4,536,168 A * 8/1985 Stephens 446/444
RE32,106 E 4/1986 Lemelson 446/138
4,652,247 A 3/1987 Goldfarb et al. 446/164
4,655,727 A 4/1987 Swisher et al. 446/470
D305,676 S * 1/1990 Ngai D21/565
4,955,537 A 9/1990 Bratovz 238/10
D315,380 S * 3/1991 Ueyama et al. D21/564
5,752,678 A 5/1998 Riley 246/415
5,766,056 A 6/1998 Tsai 446/288
6,074,269 A * 6/2000 Rothbarth et al. 446/268
6,089,466 A 7/2000 Fulton et al. 238/10
6,527,619 B1 3/2003 Agostini et al. 446/435
D642,634 S * 8/2011 Schlegel et al. D21/565

* cited by examiner

Primary Examiner — Cynthia M Chin

(74) *Attorney, Agent, or Firm* — Keisling & Pieper PLC;
Meredith K. Lowry

(57) **CLAIM**

The ornamental design for a toy playset, as shown.

DESCRIPTION

FIG. 1 is a front perspective view of a toy playset showing my
new design;

FIG. 2 is a back perspective view thereof;

FIG. 3 is a top plan view thereof;

FIG. 4 is a front elevational view thereof;

FIG. 5 is an alternative front elevational view thereof;

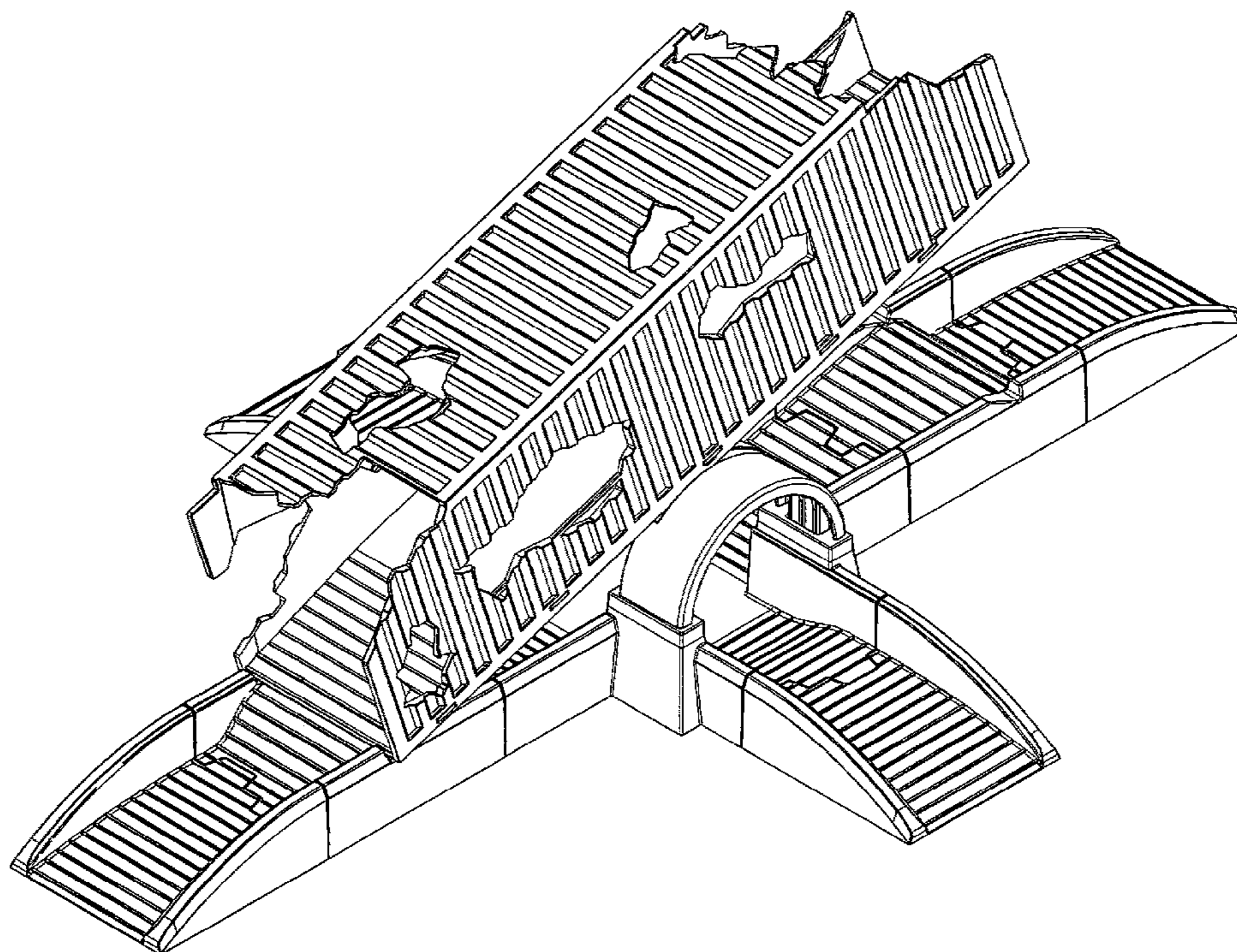
FIG. 6 is a back plan view thereof;

FIG. 7 is a left side elevational view thereof;

FIG. 8 is right side elevational view thereof; and,

FIG. 9 is bottom plan view thereof.

1 Claim, 8 Drawing Sheets



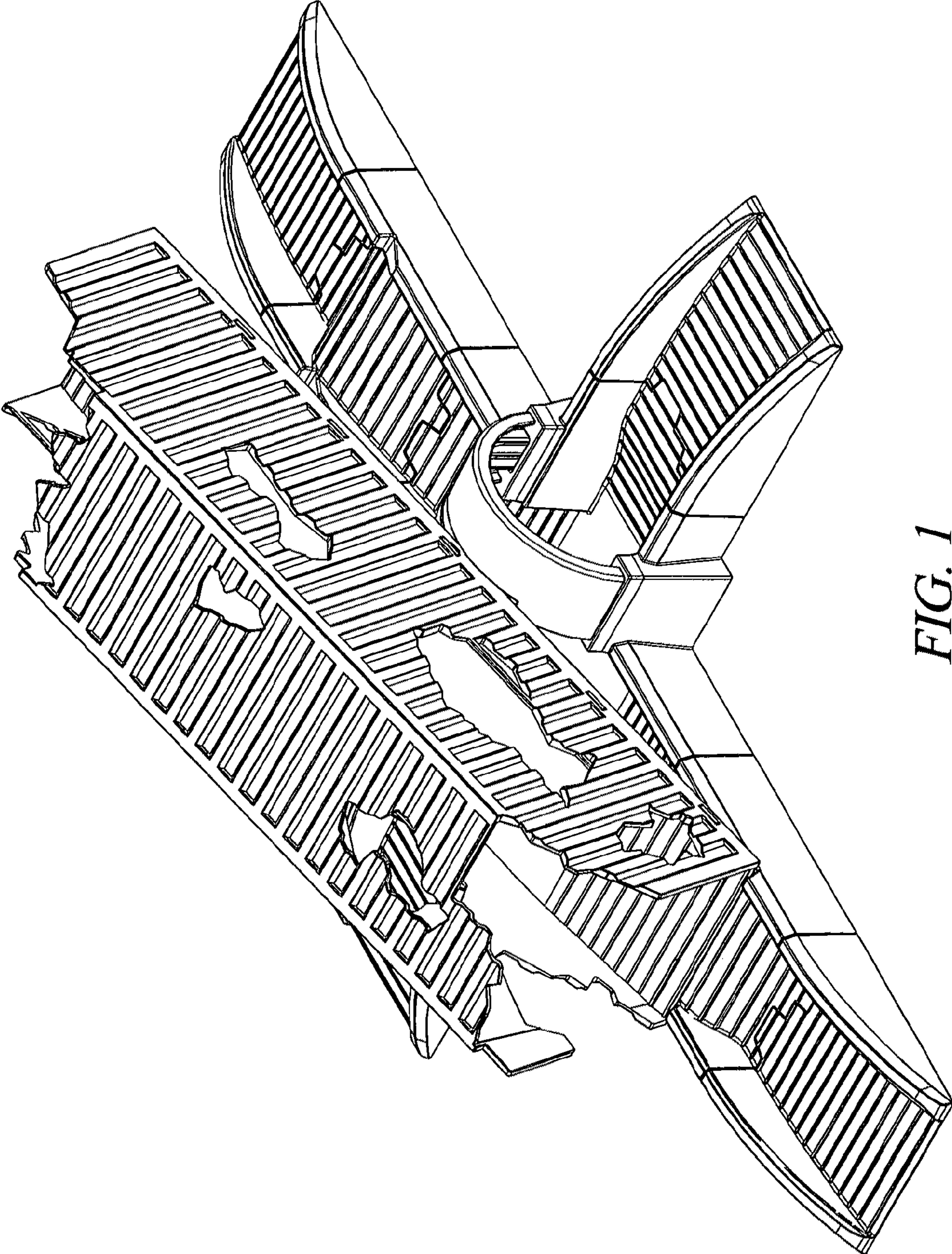


FIG. 1

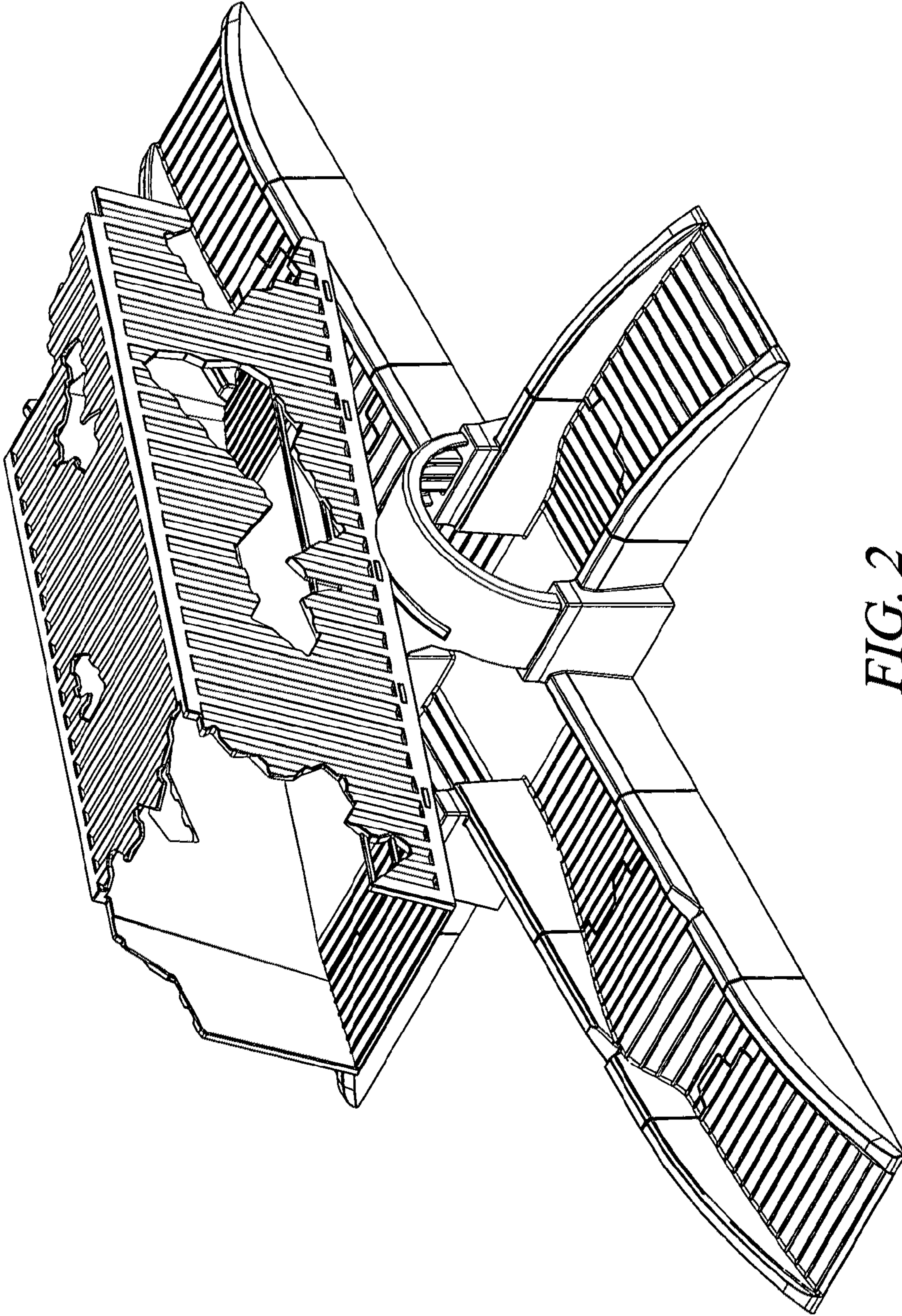


FIG. 2

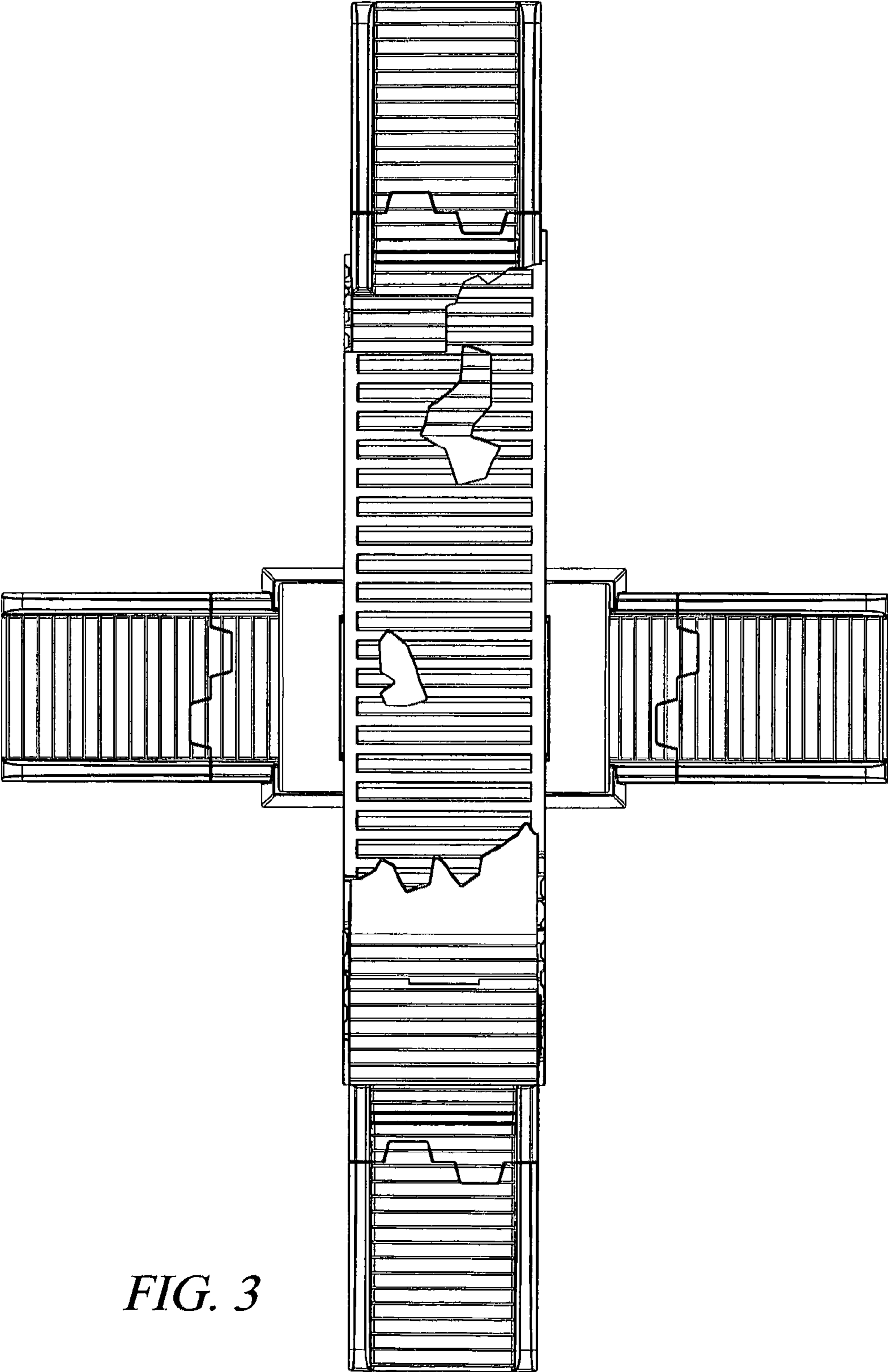


FIG. 3

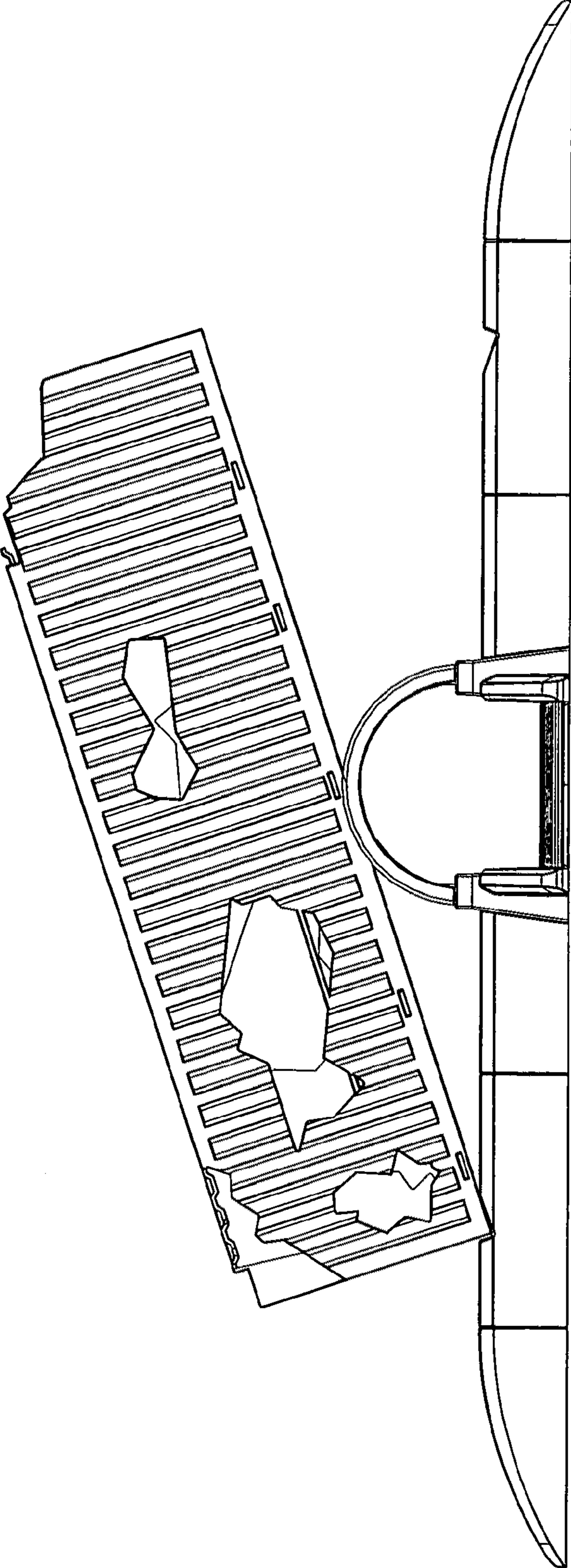


FIG. 4

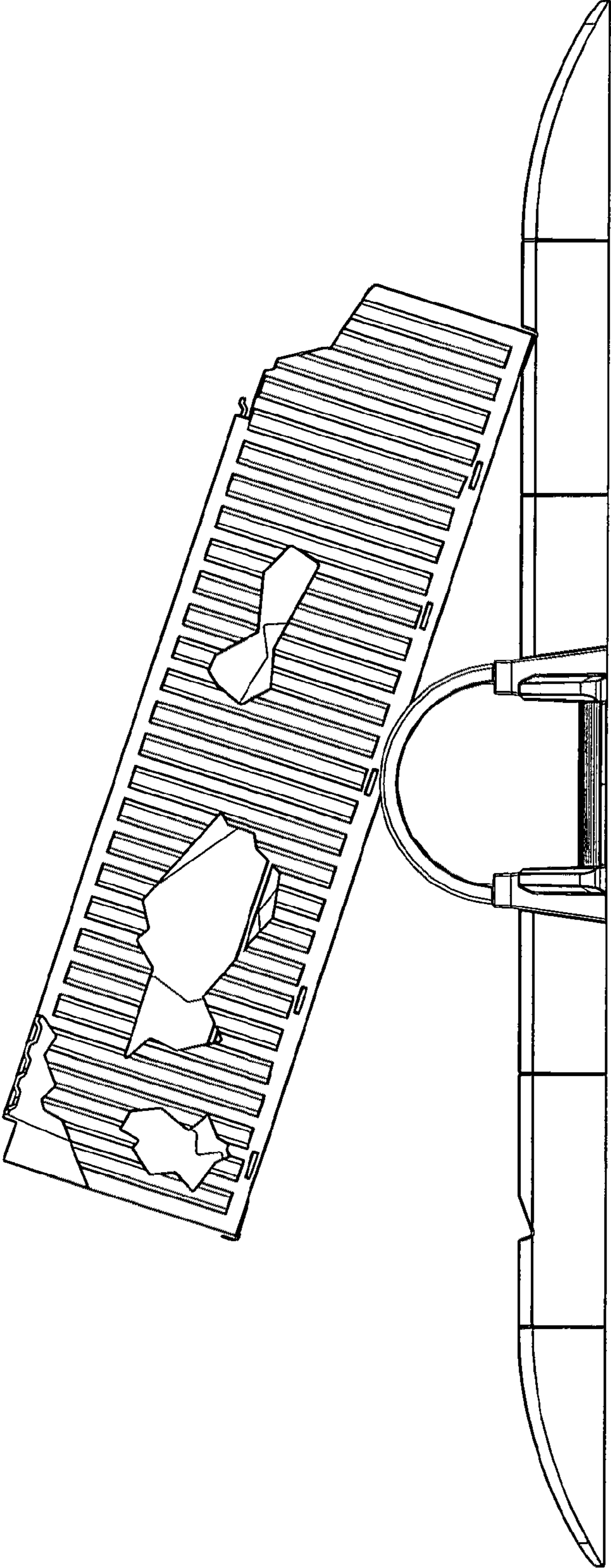


FIG. 5

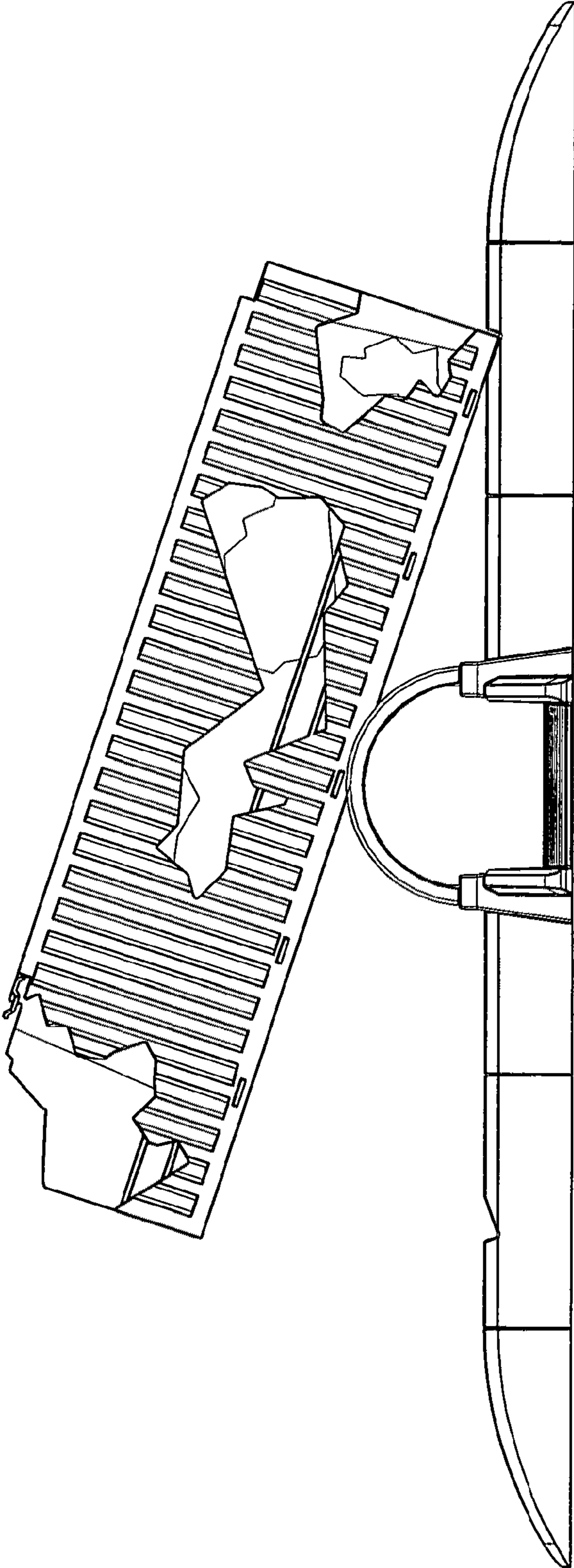


FIG. 6

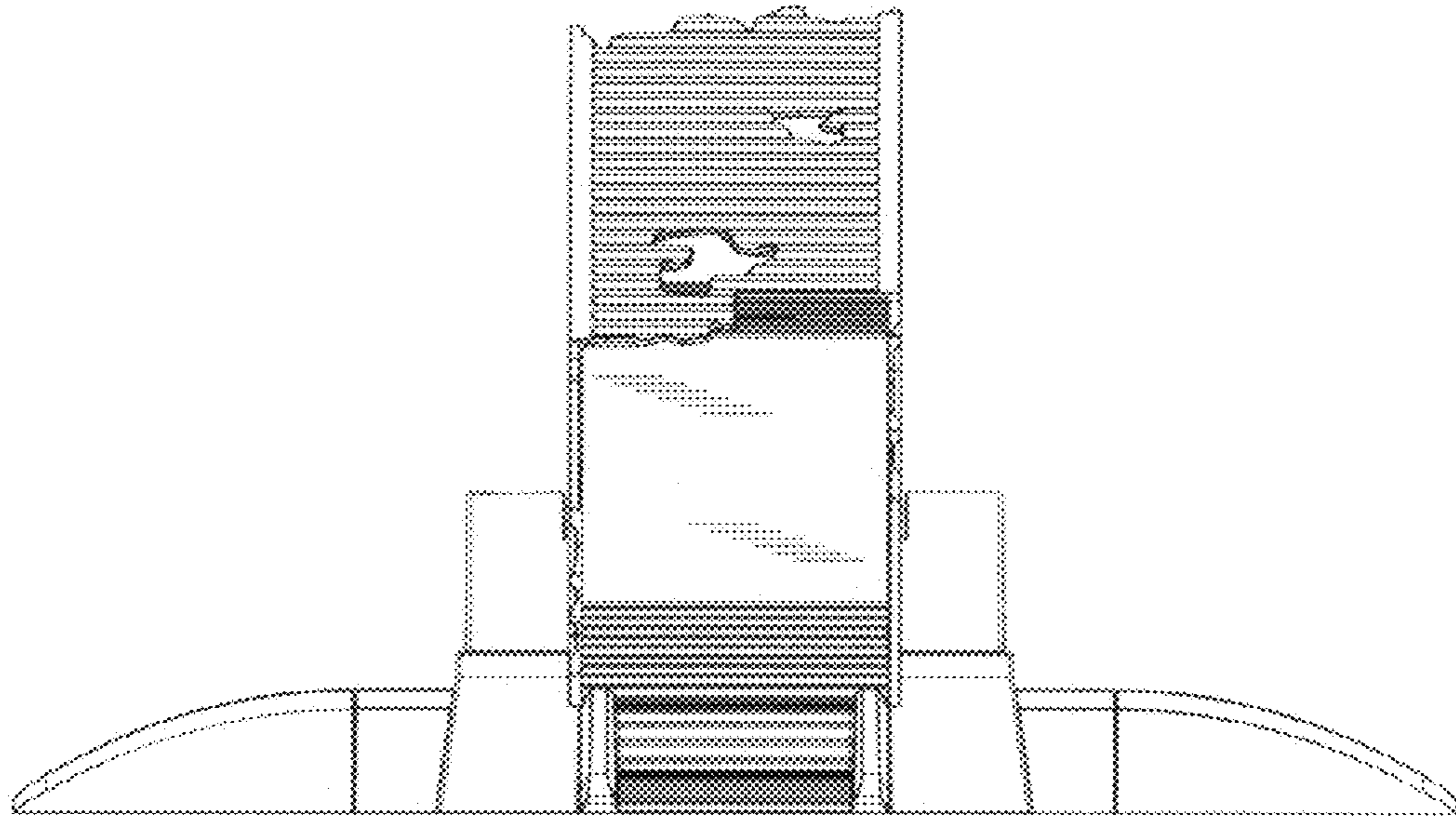


FIG. 7

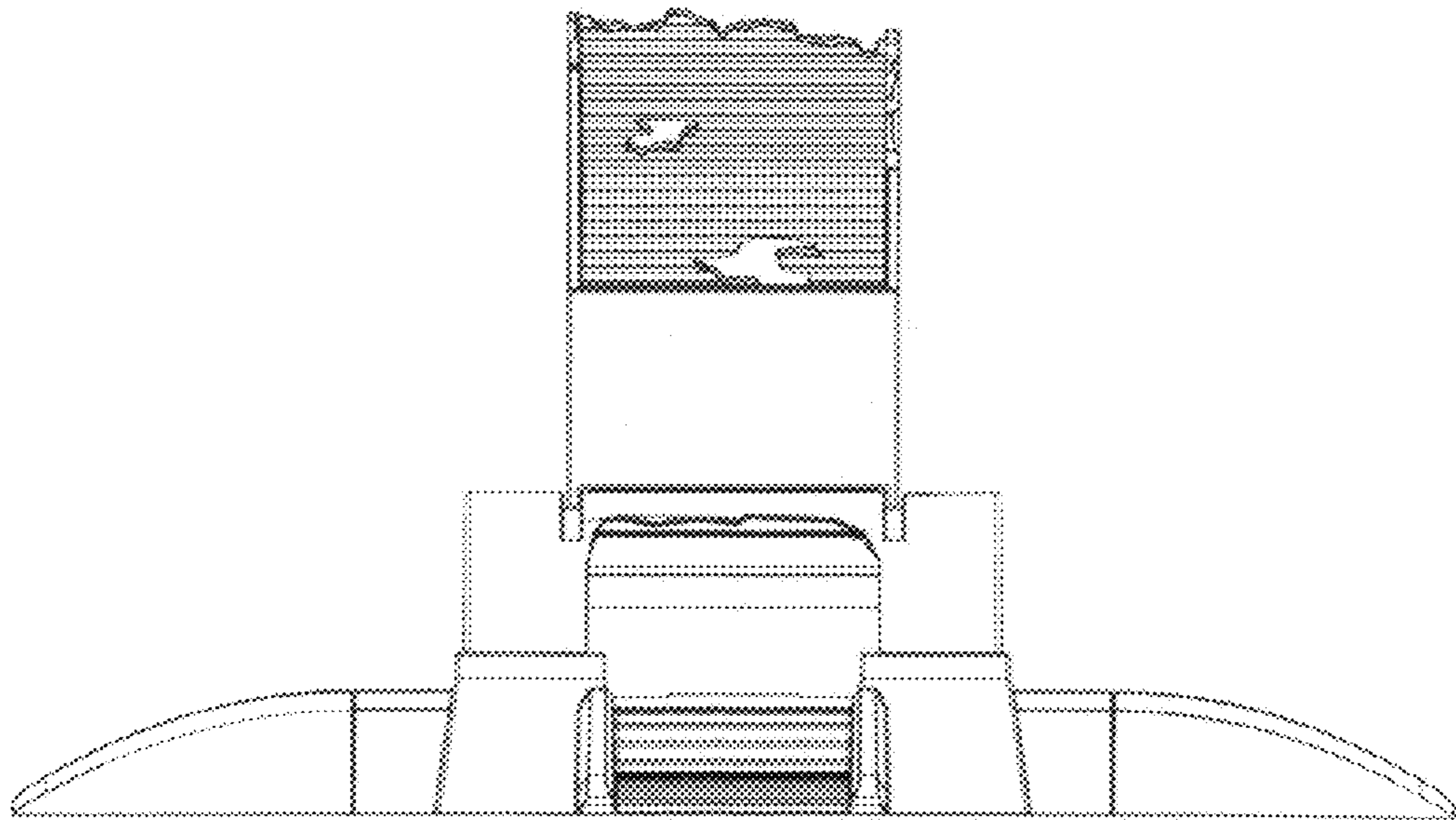


FIG. 8

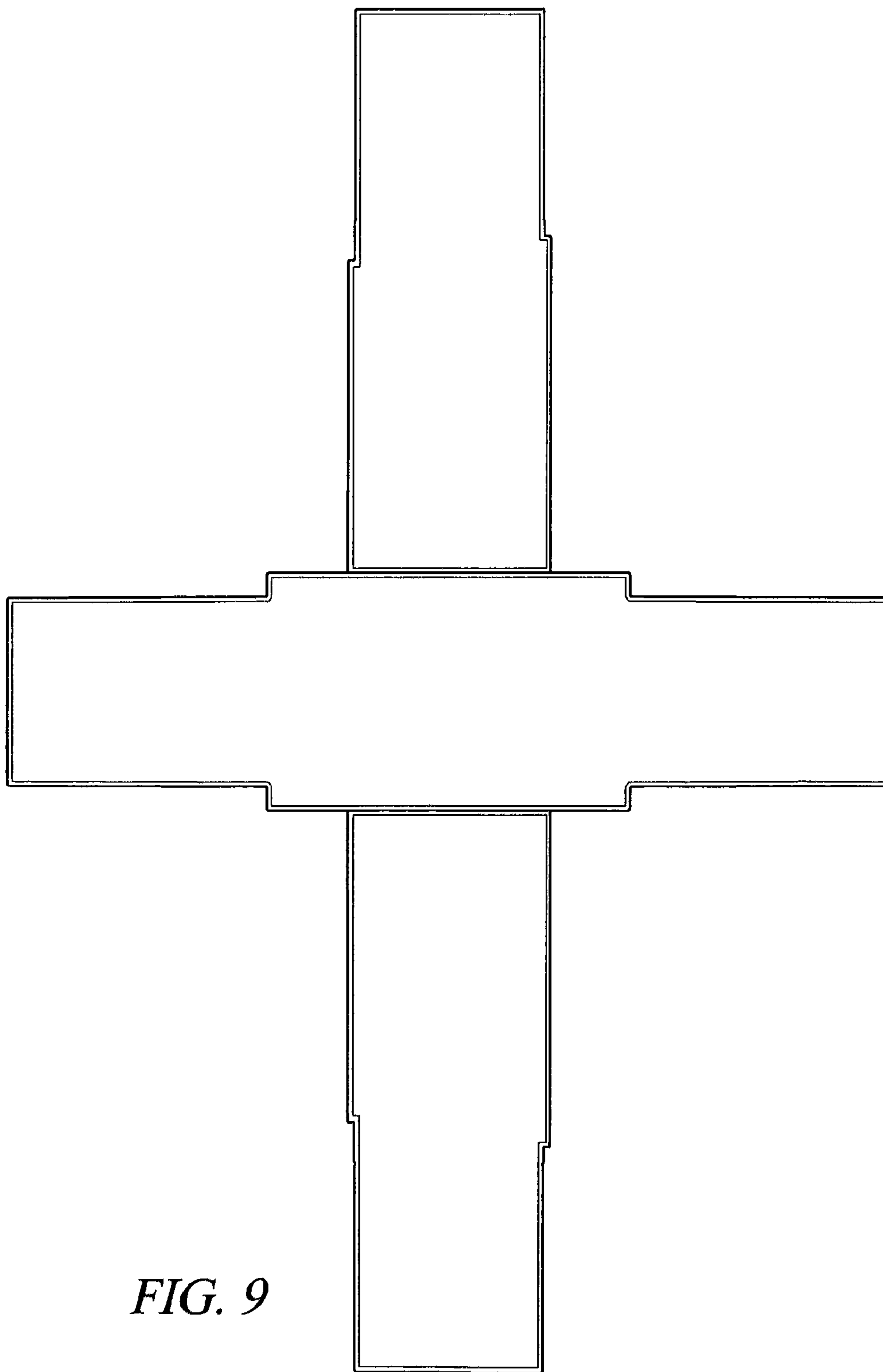


FIG. 9